



US00D390877S

United States Patent [19]
Schwarzli

[11] **Patent Number: Des. 390,877**
[45] **Date of Patent: **Feb. 17, 1998**

- [54] **VENDING MACHINE ISLAND**
- [75] **Inventor: Josef W. Schwarzli, Stouffville, Canada**
- [73] **Assignee: Machine-O-Matic Limited, Newmarket, Canada**
- [**] **Term: 14 Years**
- [21] **Appl. No.: 56,365**
- [22] **Filed: Jun. 27, 1996**
- [51] **LOC (6) Cl. 20-01**
- [52] **U.S. Cl. D20/7**
- [58] **Field of Search D20/1, 4, 7; 194/202, 194/320, 350; 221/155, 92, 281, 191, 195**

[56] **References Cited**

U.S. PATENT DOCUMENTS

D. 347,448	5/1994	Hinton	D20/7
D. 361,790	8/1995	Mezei	D20/7
D. 370,693	6/1996	Beene	D20/7
5,383,545	1/1995	Schwarzli	194/202
5,609,235	3/1997	Schwarzli	194/320

OTHER PUBLICATIONS

- "High Traffic Solutions" Brochure, Published 1993.
- "Beaver Tri Towers" Brochure, Published 1994.
- "Machine-O-Matic Presents" Brochure, Published 1995.

Primary Examiner—Ted Shooman
Assistant Examiner—Mitchell I. Sieger

[57] **CLAIM**

The ornamental design for a vending machine island, as shown and described.

DESCRIPTION

FIG. 1 is a front elevation of the vending machine island, the rear being a mirror image thereof;

FIG. 2 is a top plan view thereof;

FIG. 3 is a side elevation, the other side being a mirror image thereof;

FIG. 4 is a bottom plan view thereof;

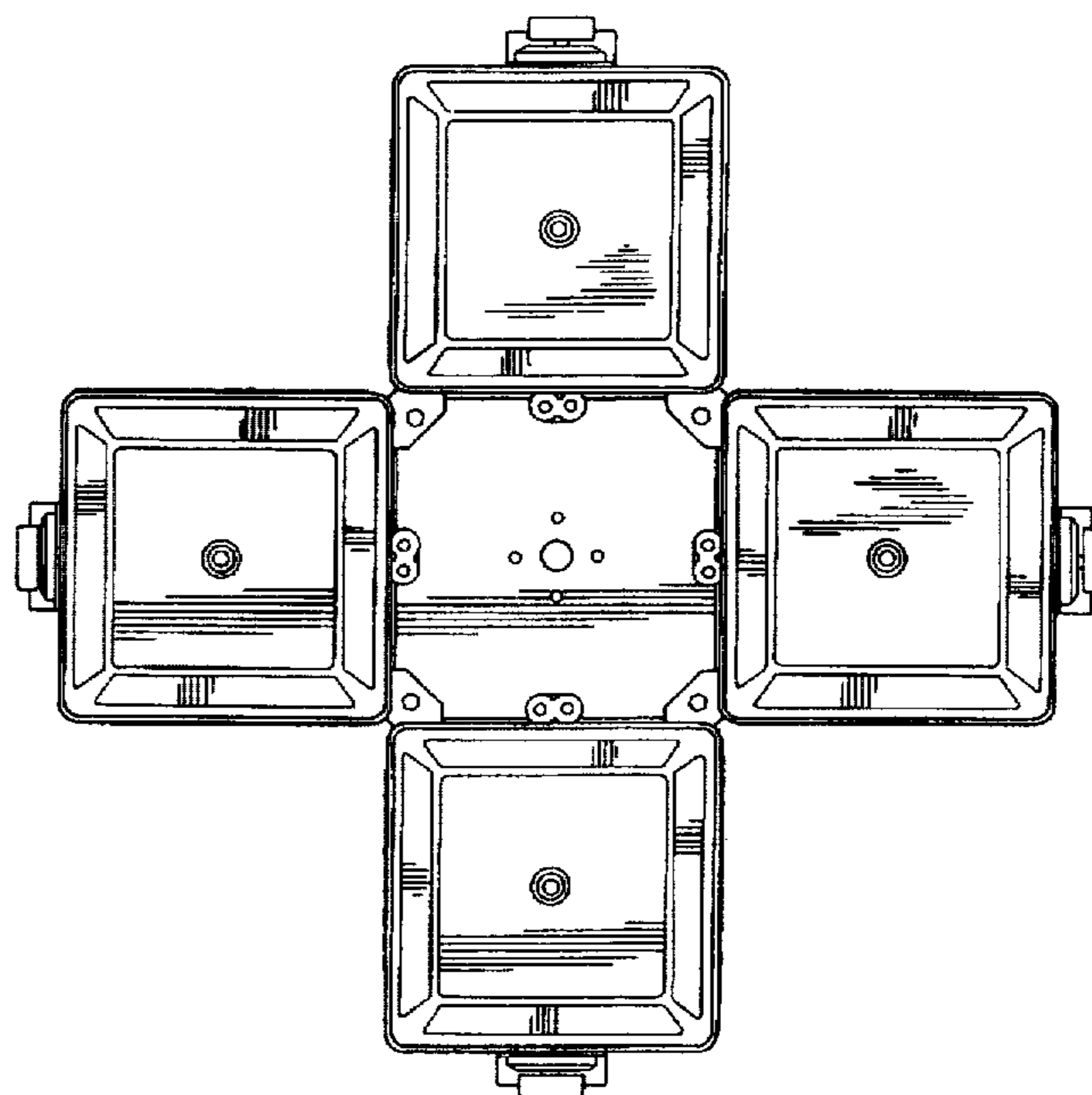
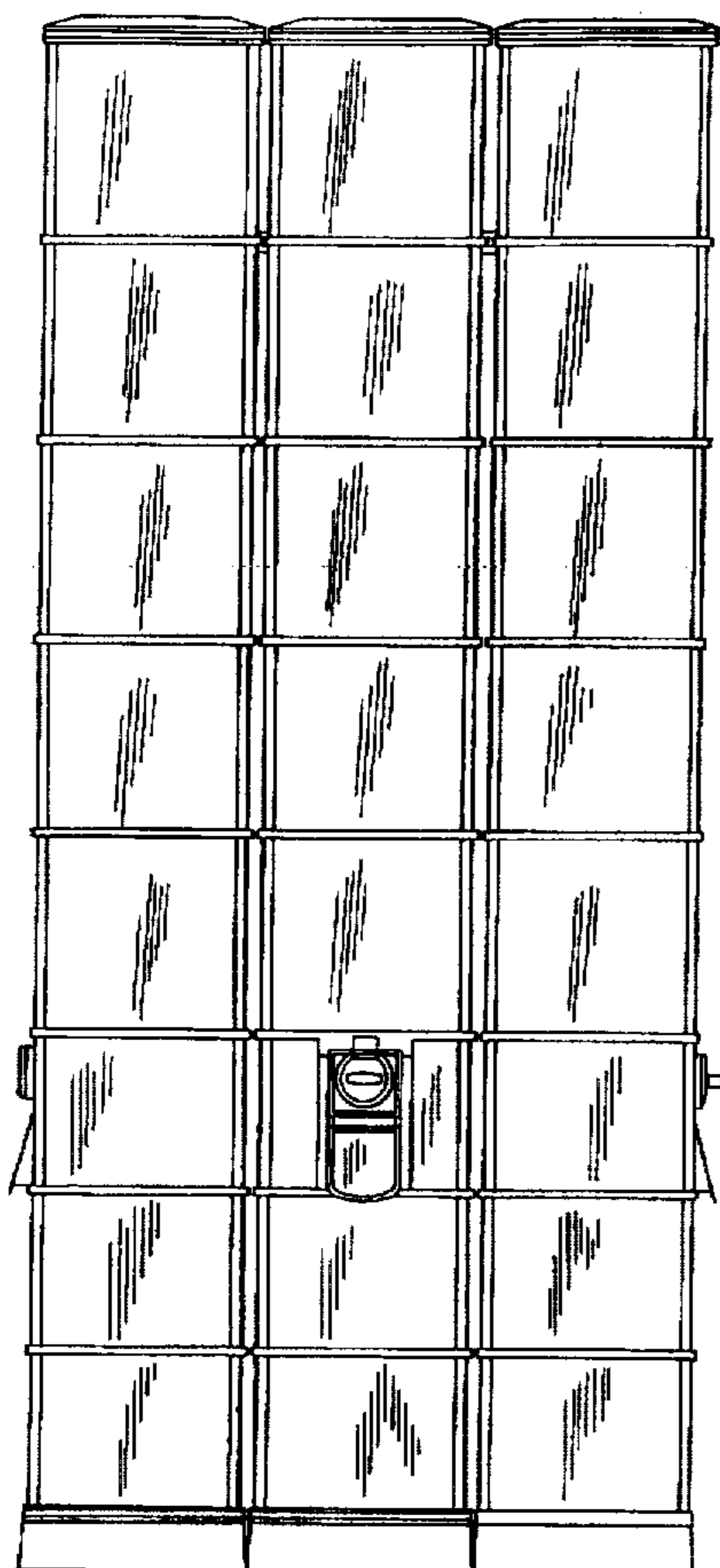
FIG. 5 is a front elevation of a second embodiment of the vending machine island as disclosed in FIG. 1;

FIG. 6 is a top plan view of FIG. 5;

FIG. 7 is a side elevation view of FIG. 5, the other side being a mirror image; and,

FIG. 8 is a bottom plan view of FIG. 5.

1 Claim, 8 Drawing Sheets



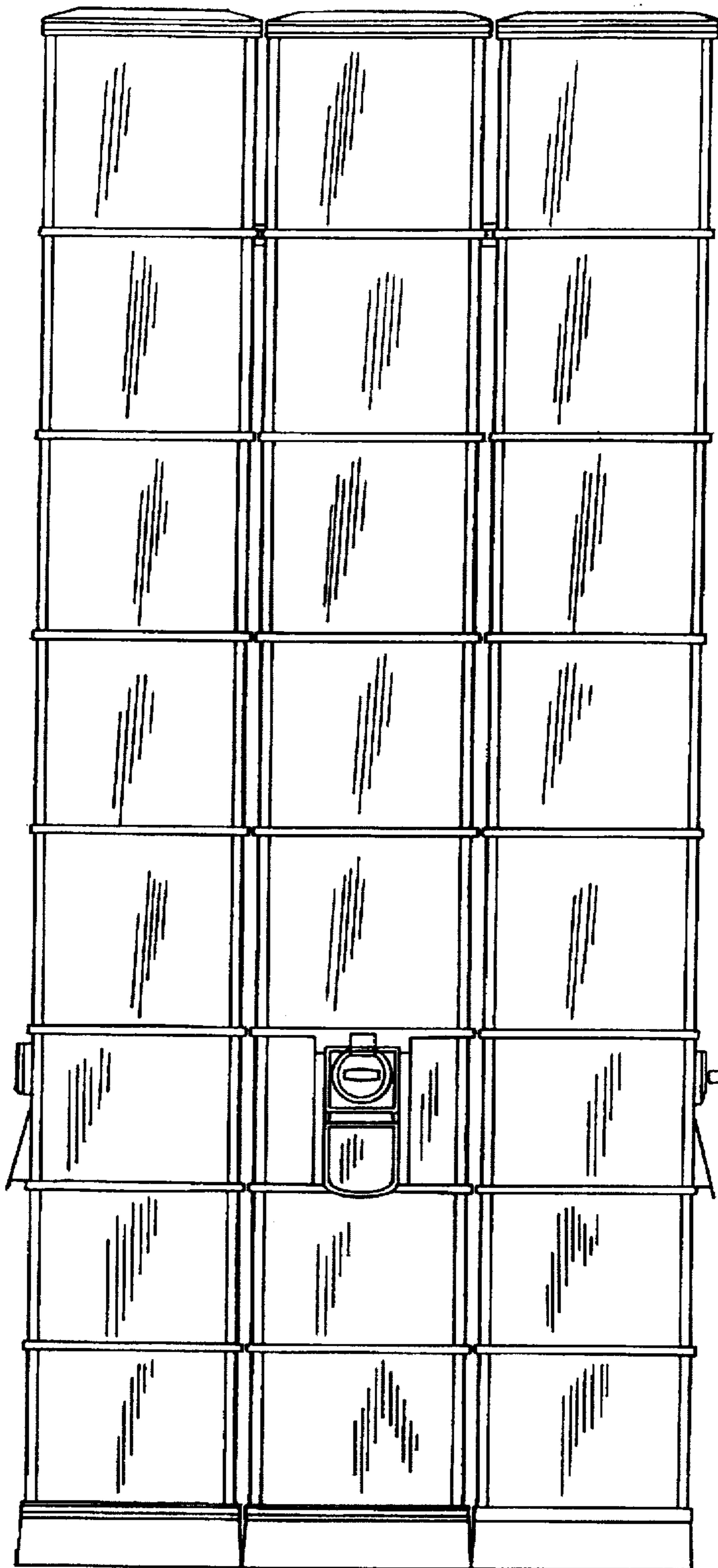


FIG. 1

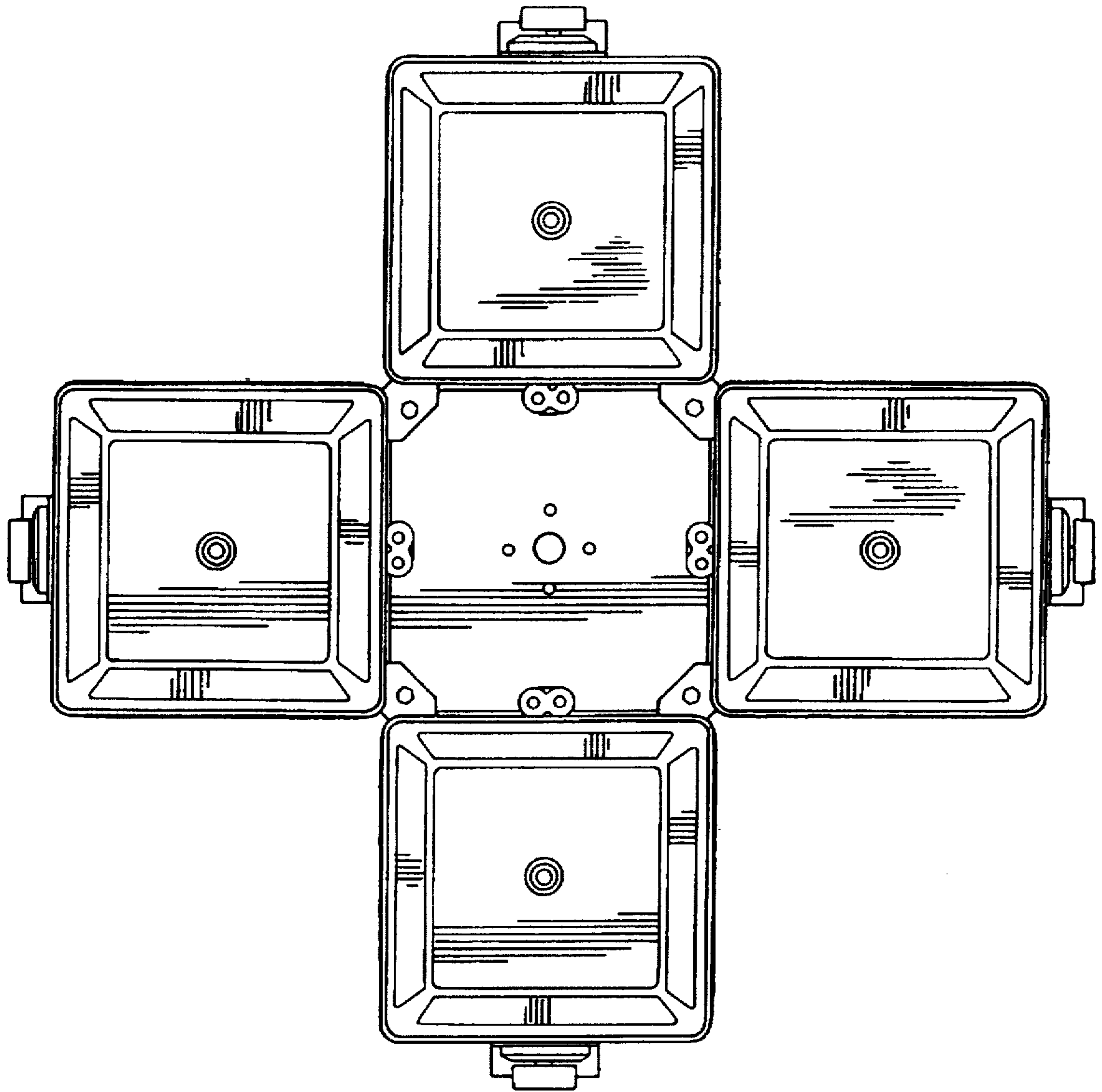


FIG. 2

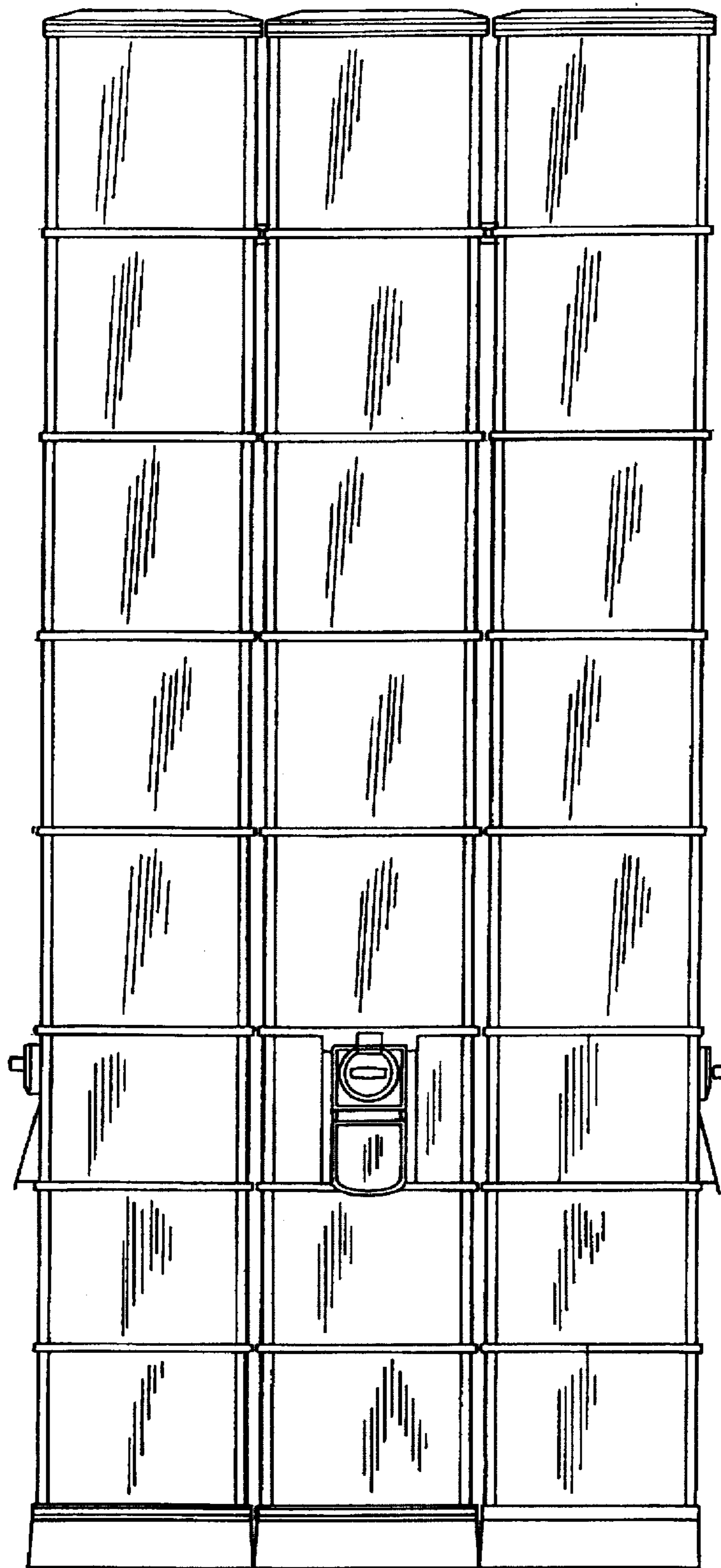


FIG. 3

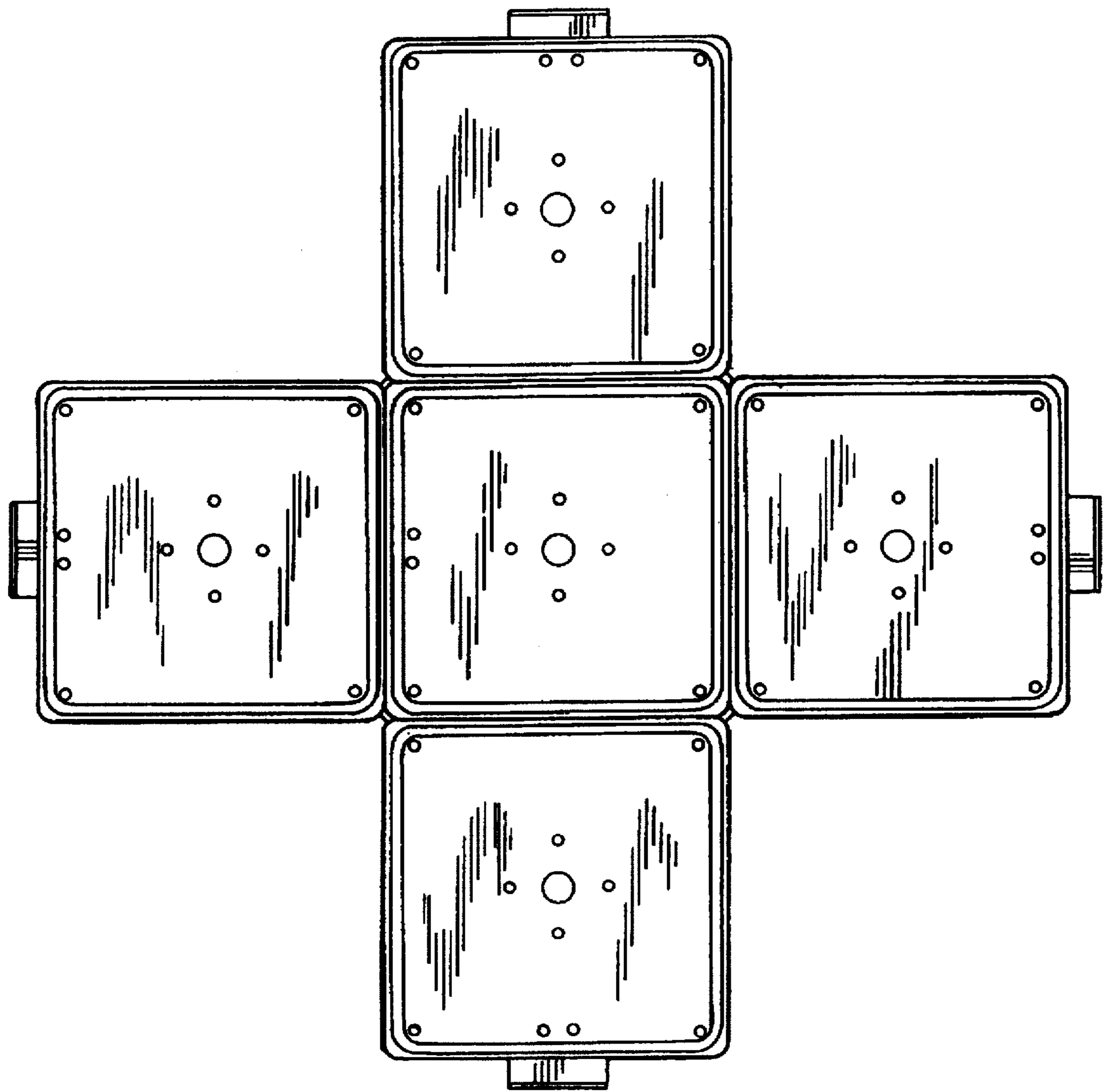


FIG. 4

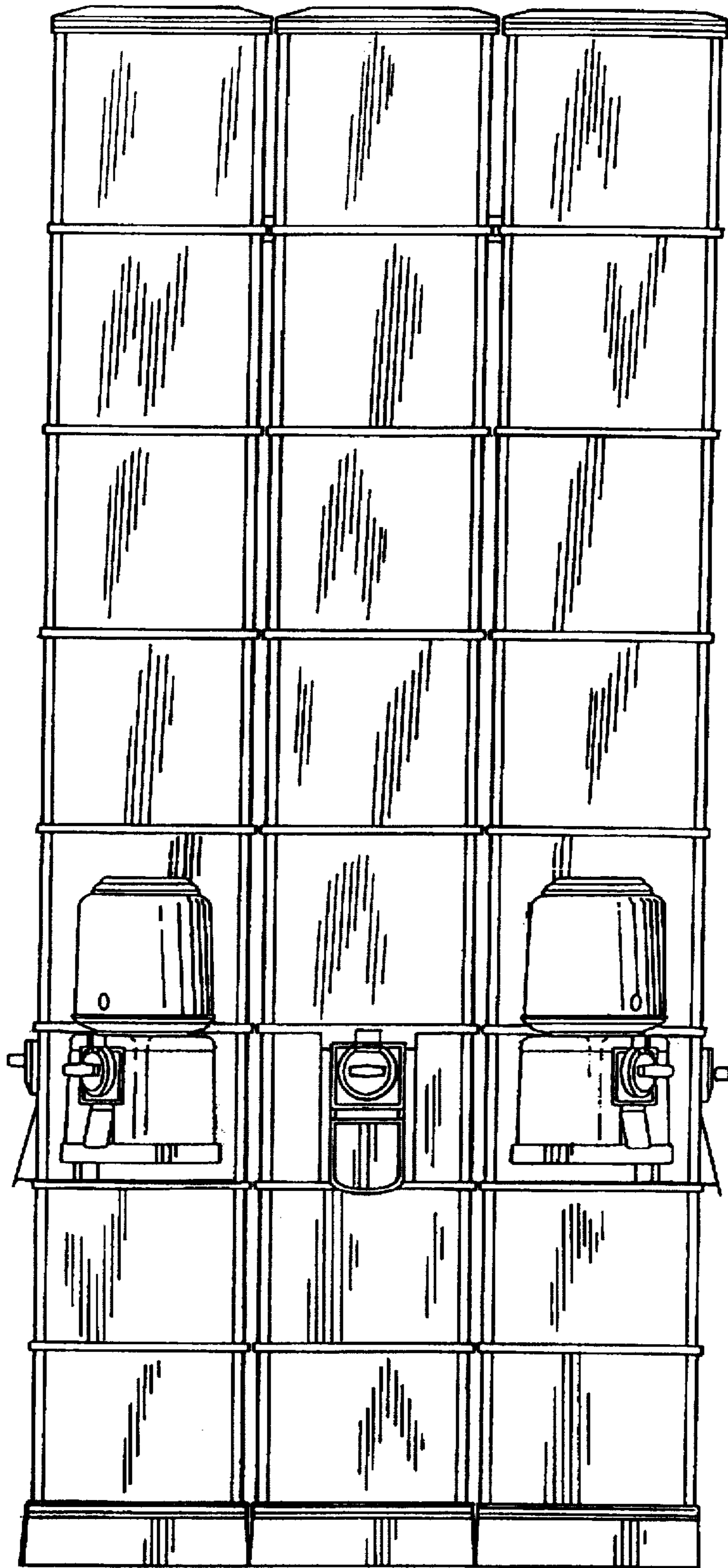


FIG. 5.

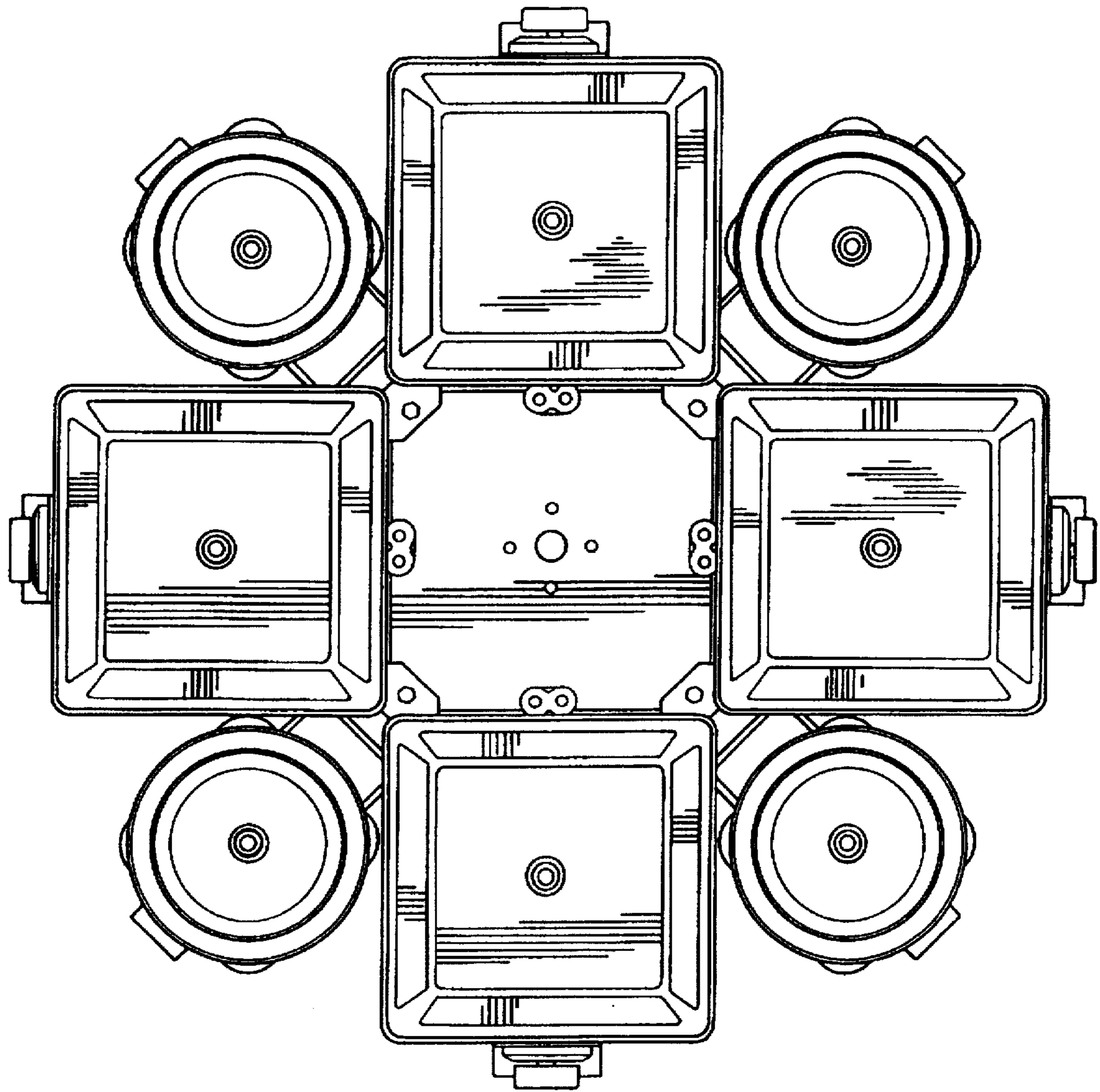


FIG. 6

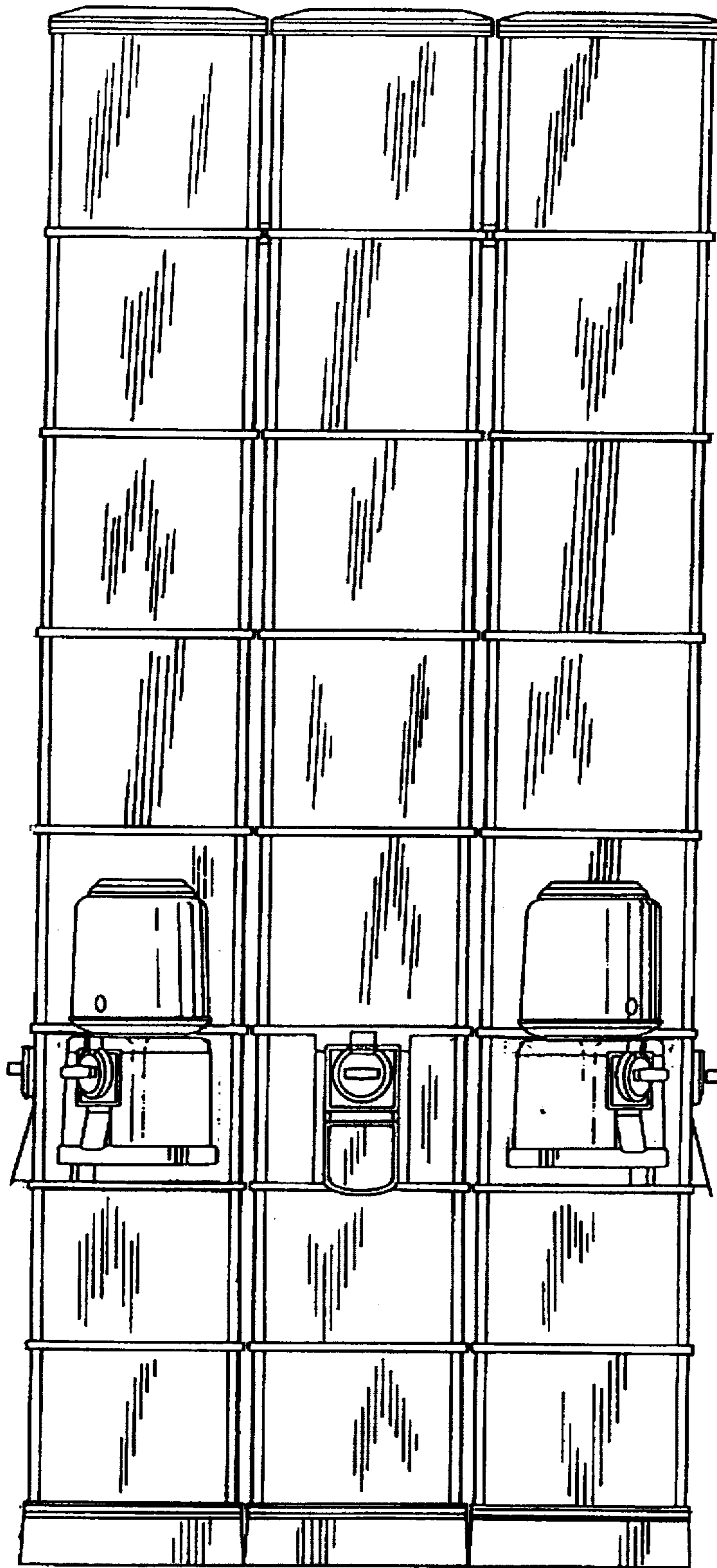


FIG. 7

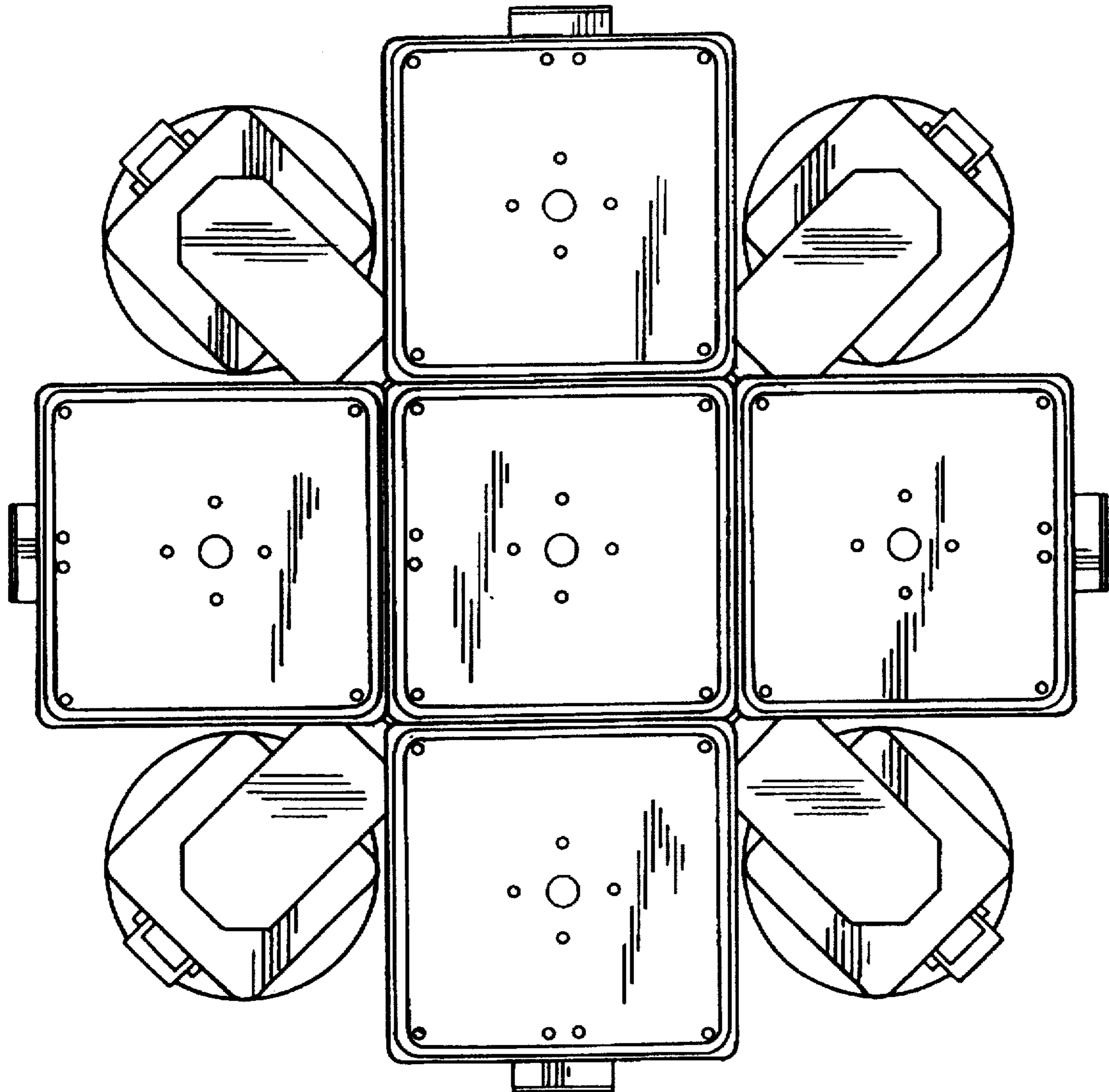


FIG. 8