



US00D390876S

# United States Patent [19]

Cheris et al.

[11] Patent Number: **Des. 390,876**

[45] Date of Patent: **\*\*Feb. 17, 1998**

[54] **LETTER TRAY**

4,907,703 3/1990 Alger et al. .

5,641,074 6/1997 Smed ..... 211/11

[75] Inventors: **Albert B. Cheris, Highland Park;  
Mark Dziarsk, Chicago, both of Ill.**

*Primary Examiner*—Martie Thompson

*Attorney, Agent, or Firm*—Lockwood, Alex FitzGibbon & Cummings

[73] Assignee: **Tenex Corporation, Elk Grove Village, Ill.**

[57] **CLAIM**

[\*\*] Term: **14 Years**

The ornamental design for a letter tray, as shown and described.

[21] Appl. No.: **68,559**

**DESCRIPTION**

[22] Filed: **Apr. 1, 1997**

FIG. 1 is a perspective view of a letter tray showing our new design;

[51] **LOC (6) Cl.** ..... **19-02**

FIG. 2 is a top plan view thereof;

[52] **U.S. Cl.** ..... **D19/92; D19/86; D19/75**

FIG. 3 is a bottom plan view thereof;

[58] **Field of Search** ..... **D19/65, 75, 78, D19/86, 91, 95, 92, 99, 100; 206/555, 215, 557, 503; 211/10, 11, 55, 126, 128, 153, 194, 4, 45, 50**

FIG. 4 is an elevational view of one side thereof, the opposite side being substantially a mirror image thereof;

FIG. 5 is a front elevational view thereof;

FIG. 6 is a rear elevational view thereof;

[56] **References Cited**

**U.S. PATENT DOCUMENTS**

- D. 220,014 2/1971 Rome .
- D. 274,066 5/1984 Evenson .
- D. 274,067 5/1984 Evenson .
- D. 309,918 8/1990 Evenson .
- D. 311,931 11/1990 Evenson .
- D. 323,677 2/1992 Evenson .
- D. 327,295 6/1992 Szablak et al. .
- D. 327,497 6/1992 Szablak et al. .... D19/86 X
- D. 327,503 6/1992 Szablak et al. .
- D. 327,504 6/1992 Breen et al. .
- D. 348,694 7/1994 Evenson ..... D19/92
- D. 355,935 2/1995 Hwang ..... D19/92

FIG. 7 is a perspective view of the letter tray of our new design of FIG. 1, the second tray being depicted by means of broken lines to illustrate the stacking features;

FIG. 8 is an elevational view of one side of the letter tray of FIG. 7, the opposite side being substantially a mirror image thereof;

FIG. 9 is a front elevational view of the letter tray of FIG. 7; and,

FIG. 10 is a rear elevational view of the letter tray of FIG. 7.

The papers and folder depicted by means of broken lines on FIGS. 1 and 7 have been shown for illustrative purposes only and form no part of the claimed design.

**1 Claim, 3 Drawing Sheets**

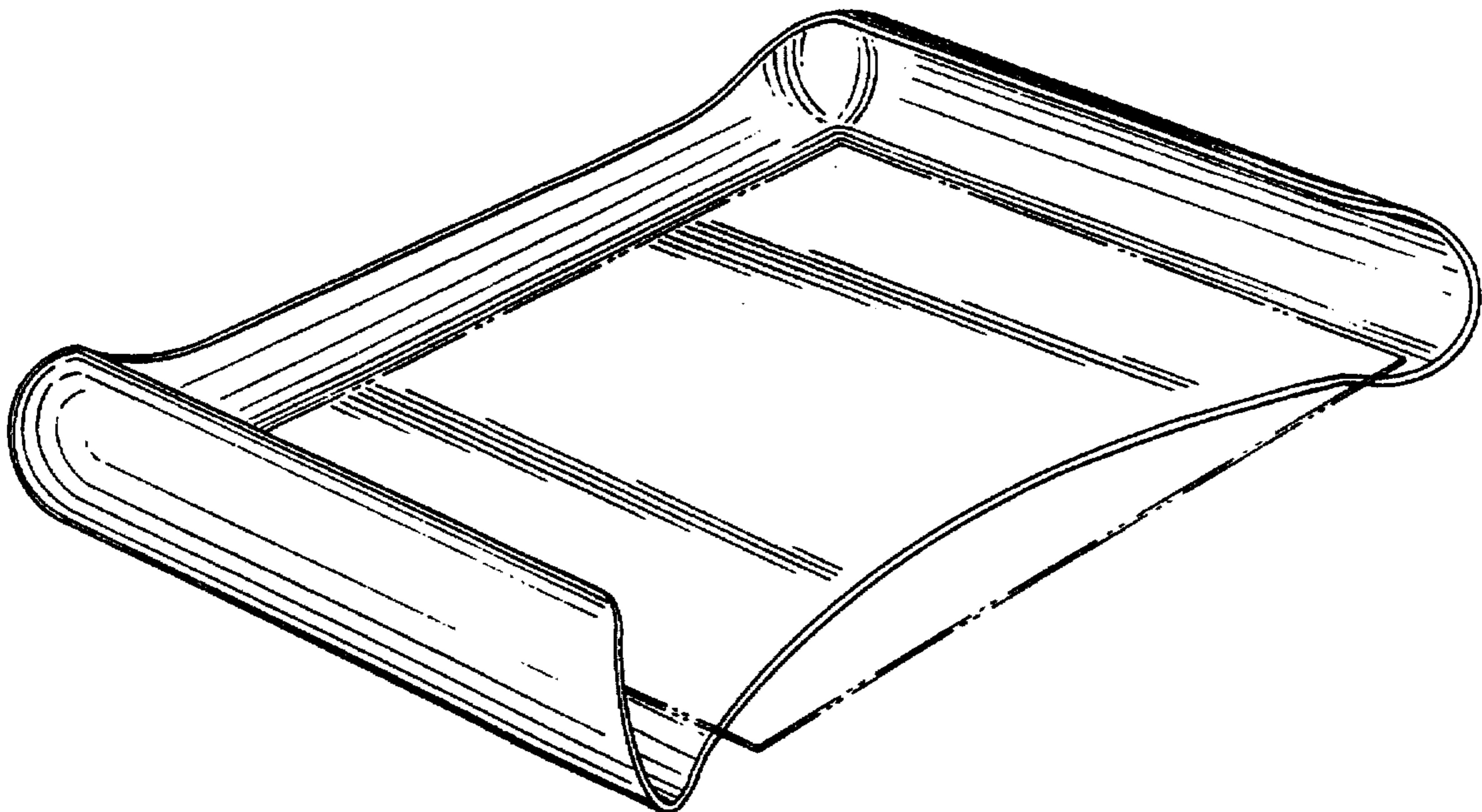


FIG. 1

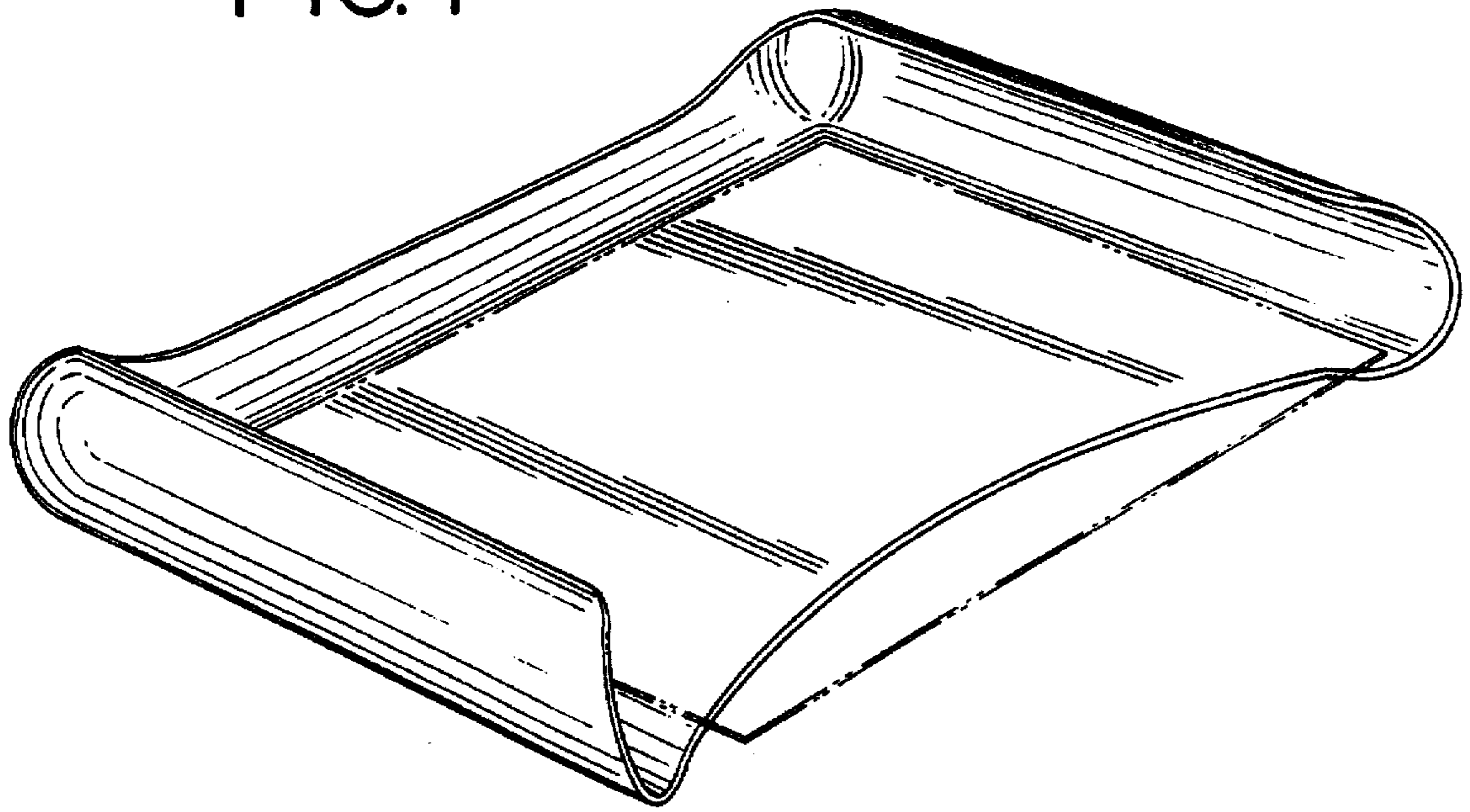


FIG. 2

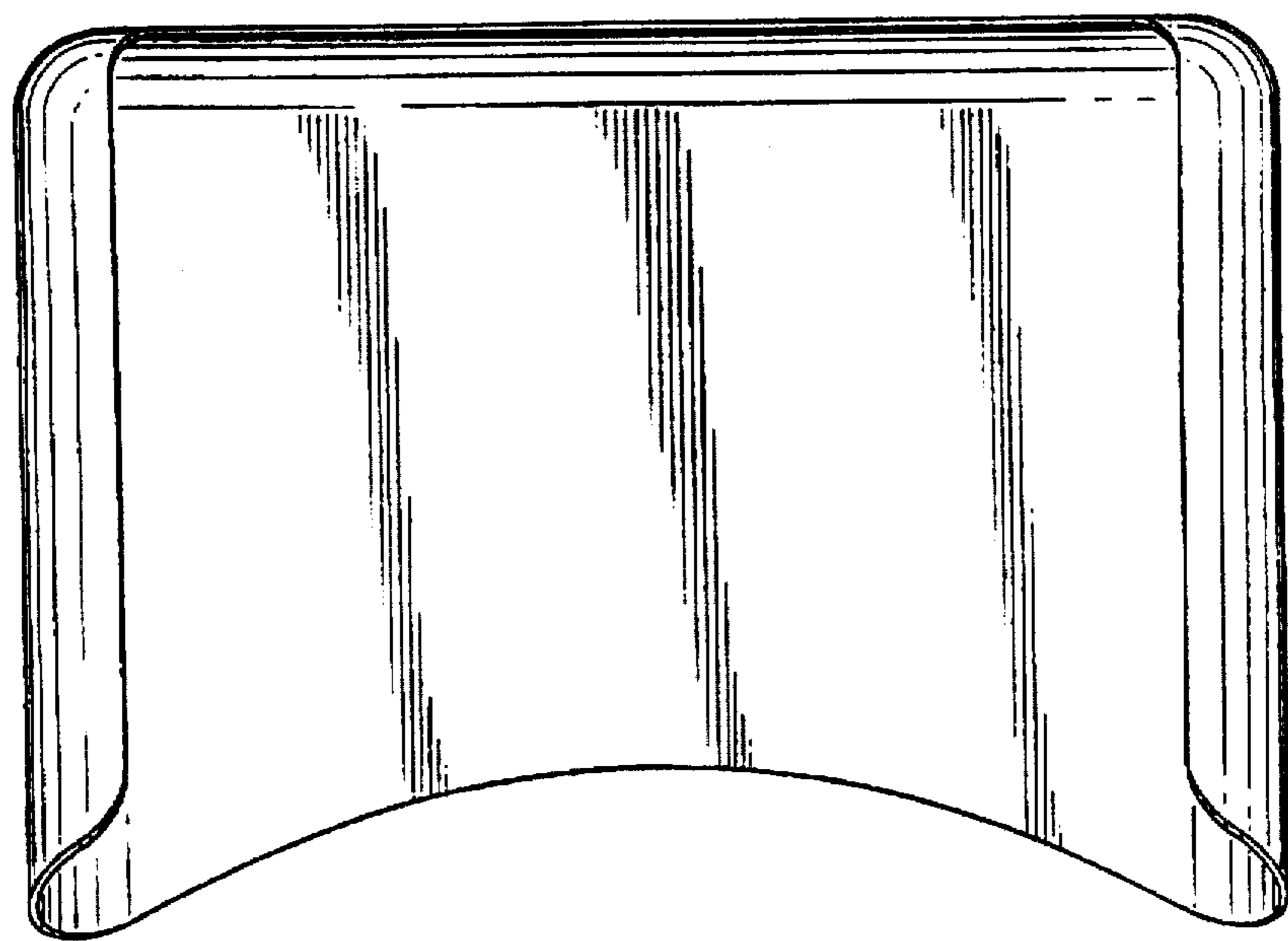


FIG. 3

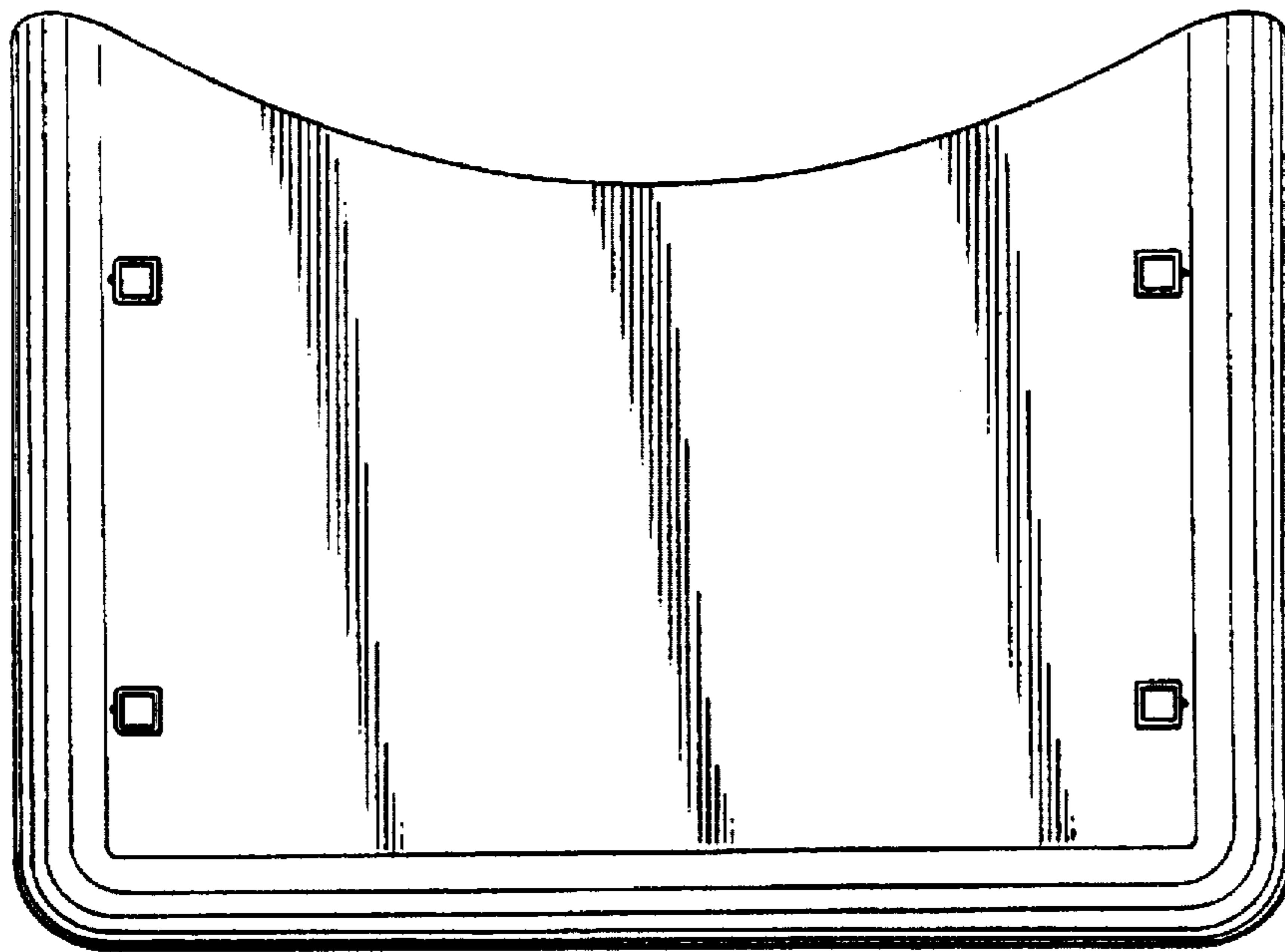


FIG. 4

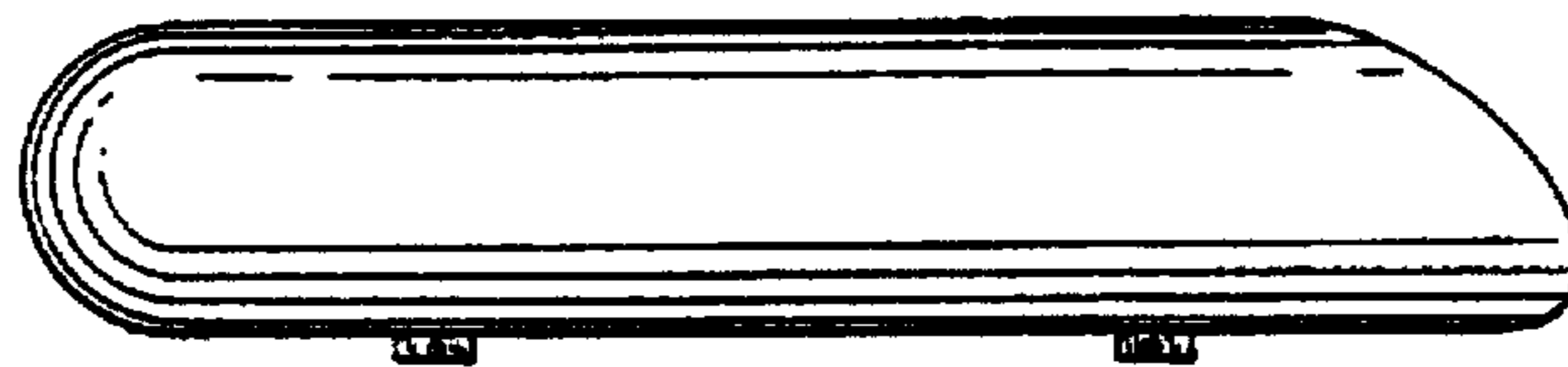


FIG. 5

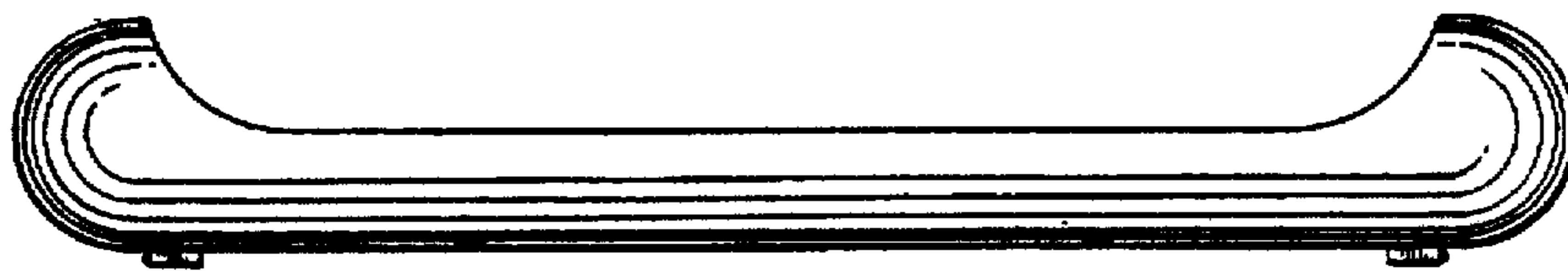


FIG. 6

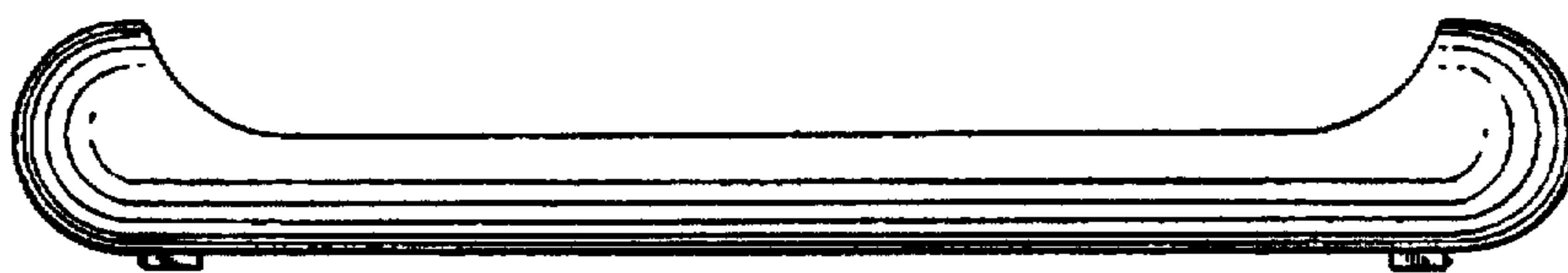


FIG. 7

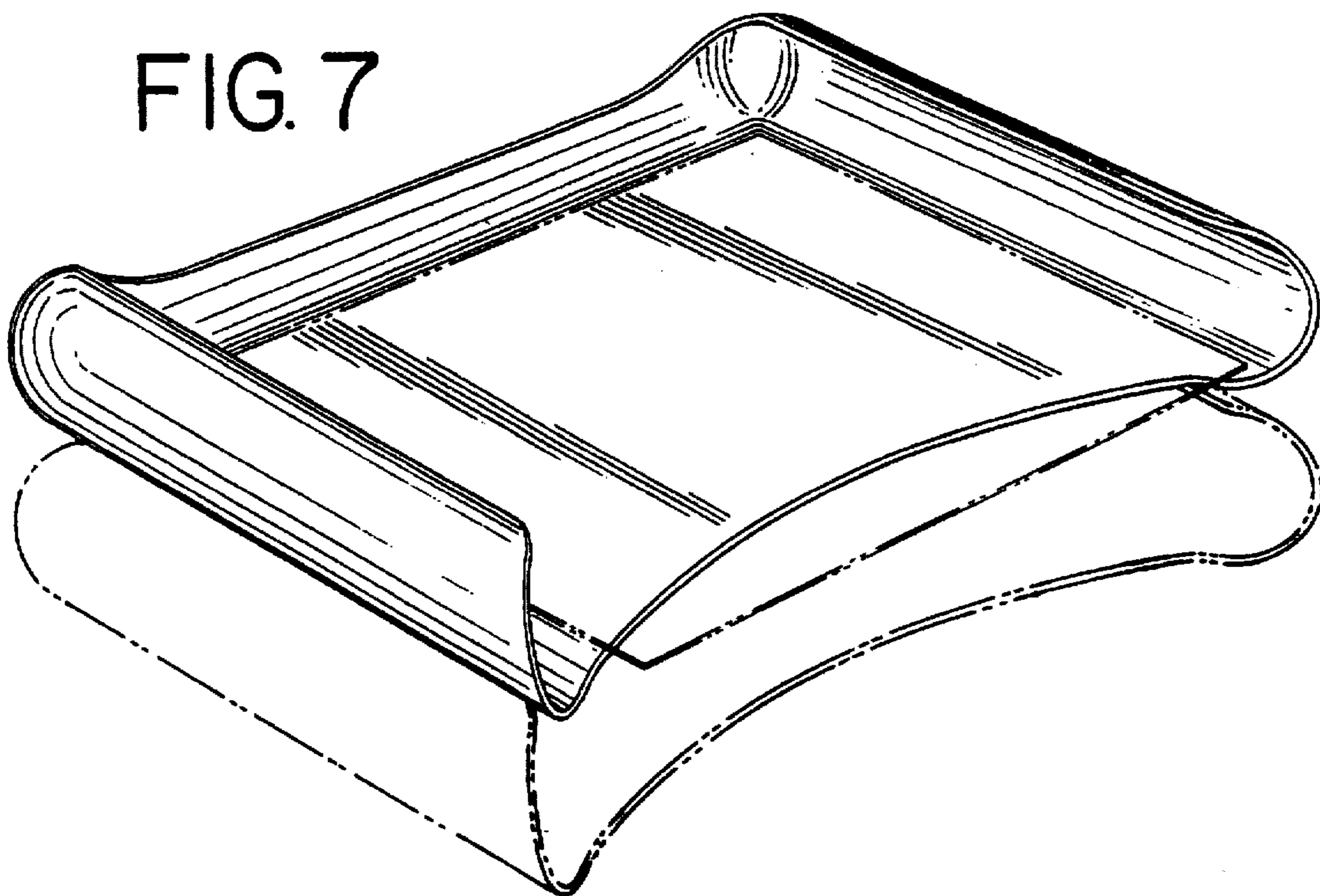


FIG. 8

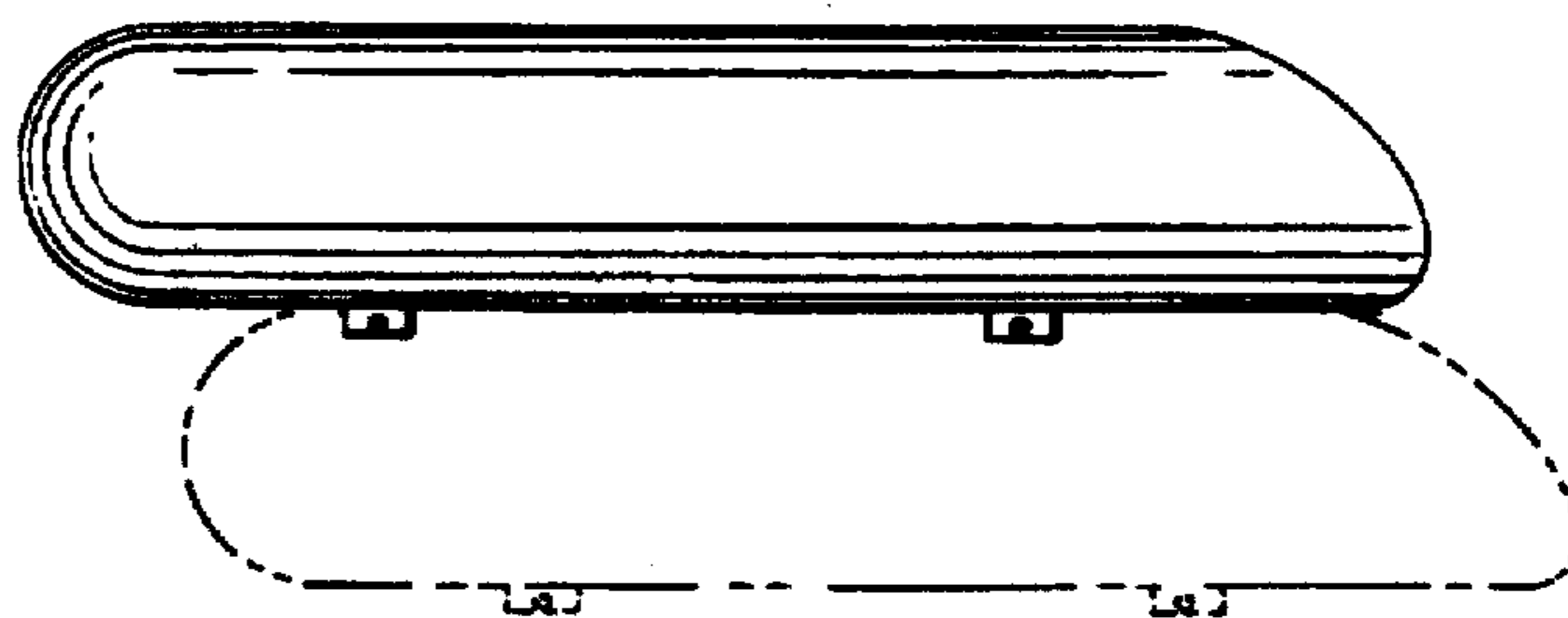


FIG. 9

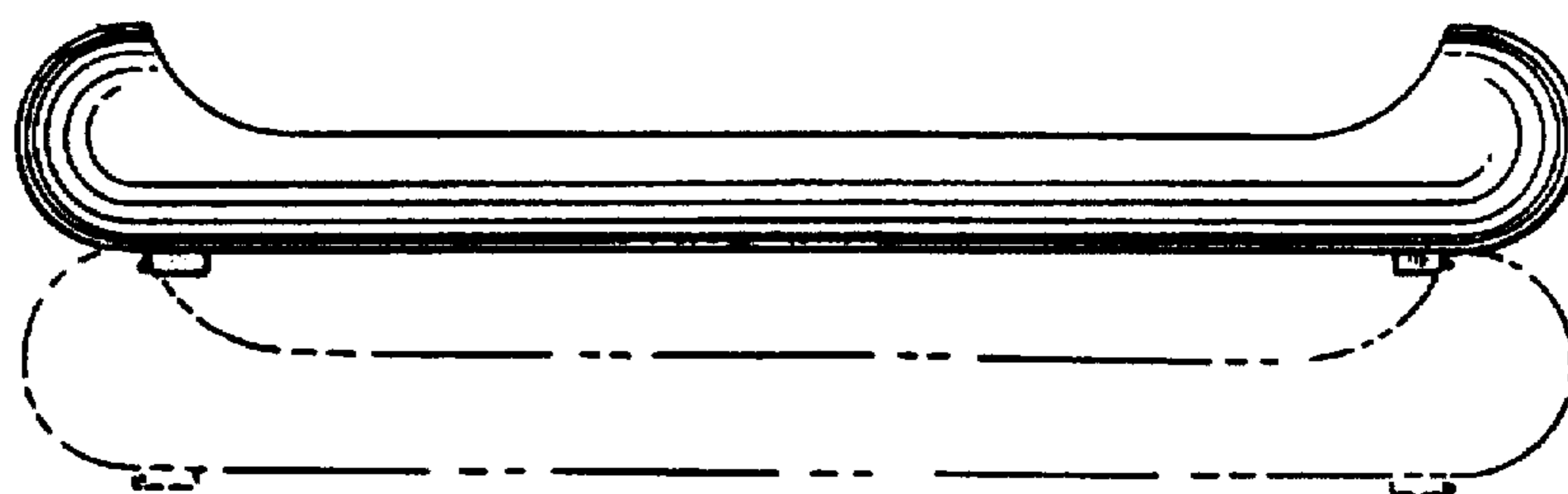


FIG. 10

