



US00D390875S

United States Patent [19]
Coe

[11] **Patent Number: Des. 390,875**
[45] **Date of Patent: **Feb. 17, 1998**

[54] **TAPE DISPENSER**

[75] **Inventor: Matthew Coe, Cedar Grove, N.J.**

[73] **Assignee: PharmaDesign, Inc., Warren, N.J.**

[**] **Term: 14 Years**

[21] **Appl. No.: 69,082**

[22] **Filed: Apr. 9, 1997**

[51] **LOC (6) Cl. 19-02**

[52] **U.S. Cl. D19/69; D19/67**

[58] **Field of Search D19/65, 67, 68, D19/69, 89, 99, 100; 225/5, 6, 7, 19, 24, 25, 34, 45, 56, 65, 77, 89; 156/327, 527, 577, 391, 510; 242/588.6**

[56] **References Cited**

U.S. PATENT DOCUMENTS

- D. 150,498 8/1948 Hazelton D19/69
- D. 190,781 6/1961 Reinecke D19/69
- D. 193,415 3/1962 Waltz D19/67 X
- D. 215,377 9/1969 Miller D19/69

- D. 297,548 9/1988 Sun D19/69
- D. 315,576 3/1991 En D19/69
- 2,692,436 10/1954 Krueger 225/11 X
- 4,222,509 9/1980 Smith 225/77

Primary Examiner—Martie Thompson
Attorney, Agent, or Firm—Bryan, Levitin & Bab, LLP

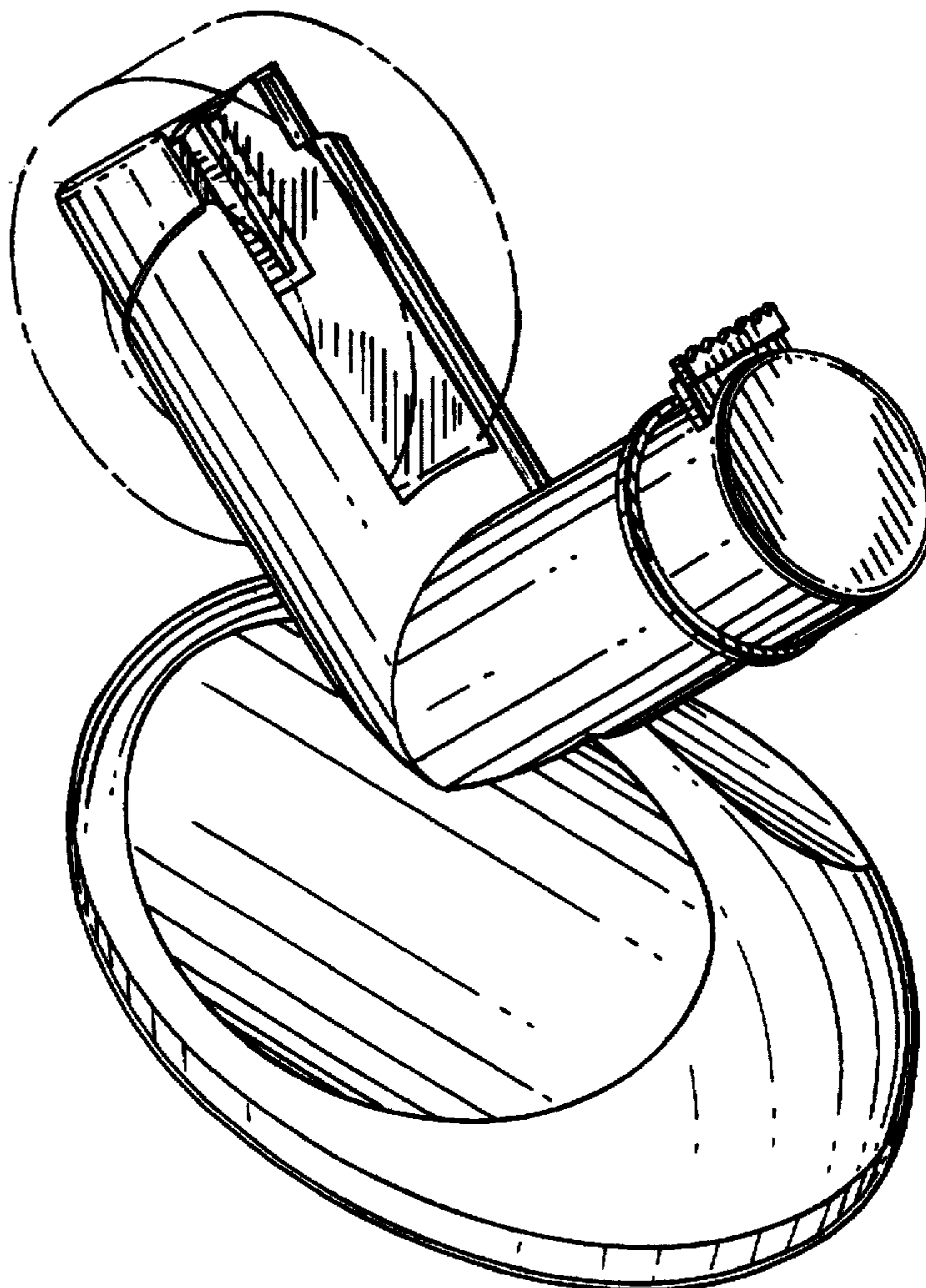
[57] **CLAIM**

The ornamental design for a tape dispenser, shown and described.

DESCRIPTION

FIG. 1 is a top, right front perspective view of a tape dispenser showing my new design;
FIG. 2 is a top plan view thereof;
FIG. 3 is a front elevational view thereof;
FIG. 4 is a left side elevation view thereof;
FIG. 5 is a right side elevation view thereof; and,
FIG. 6 is a bottom plan view thereof.
The tape roll depicted by means of broken lines in FIG. 1 has been shown for illustrative purposes only and forms no part of the claimed design.

1 Claim, 3 Drawing Sheets



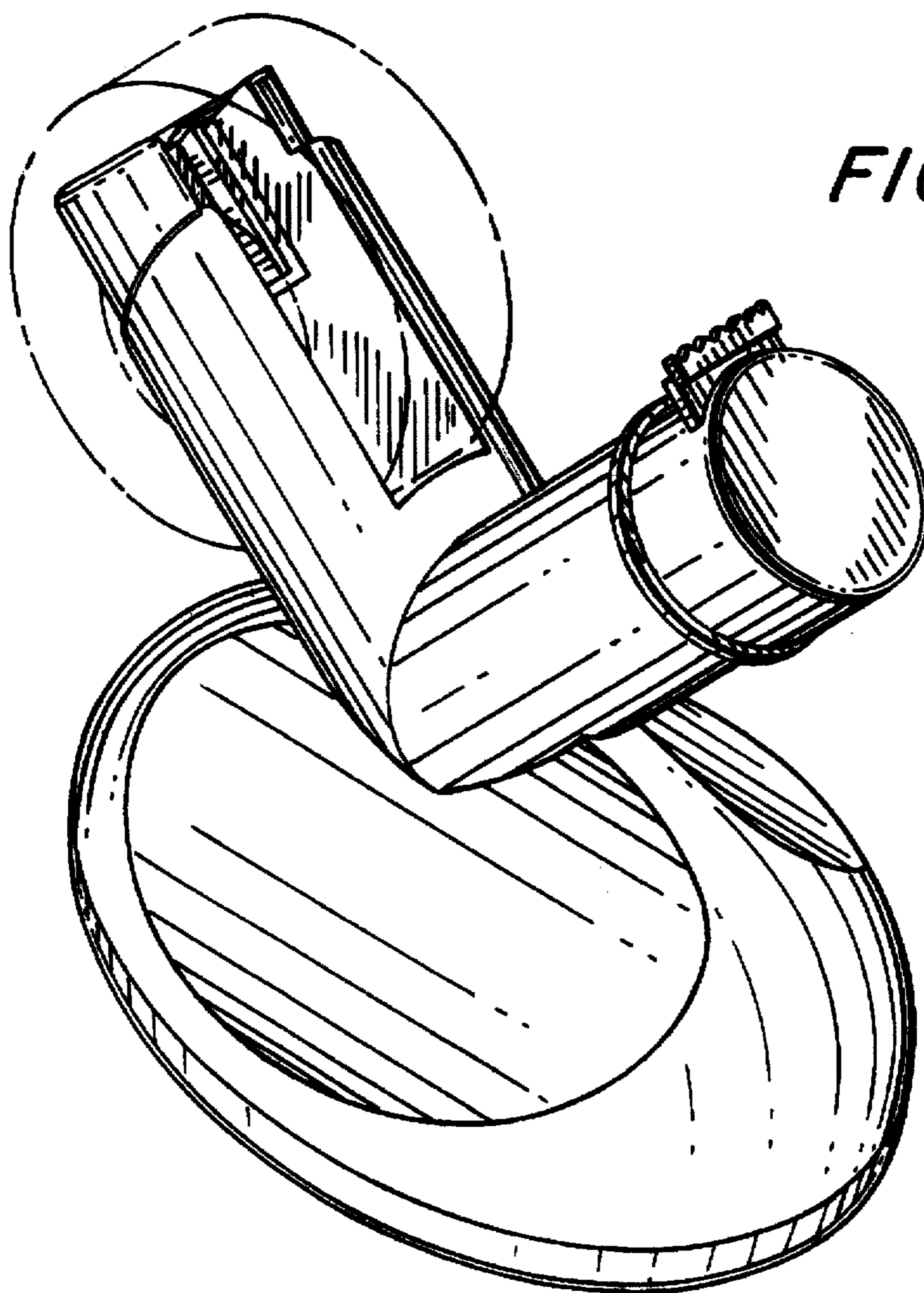


FIG. 1

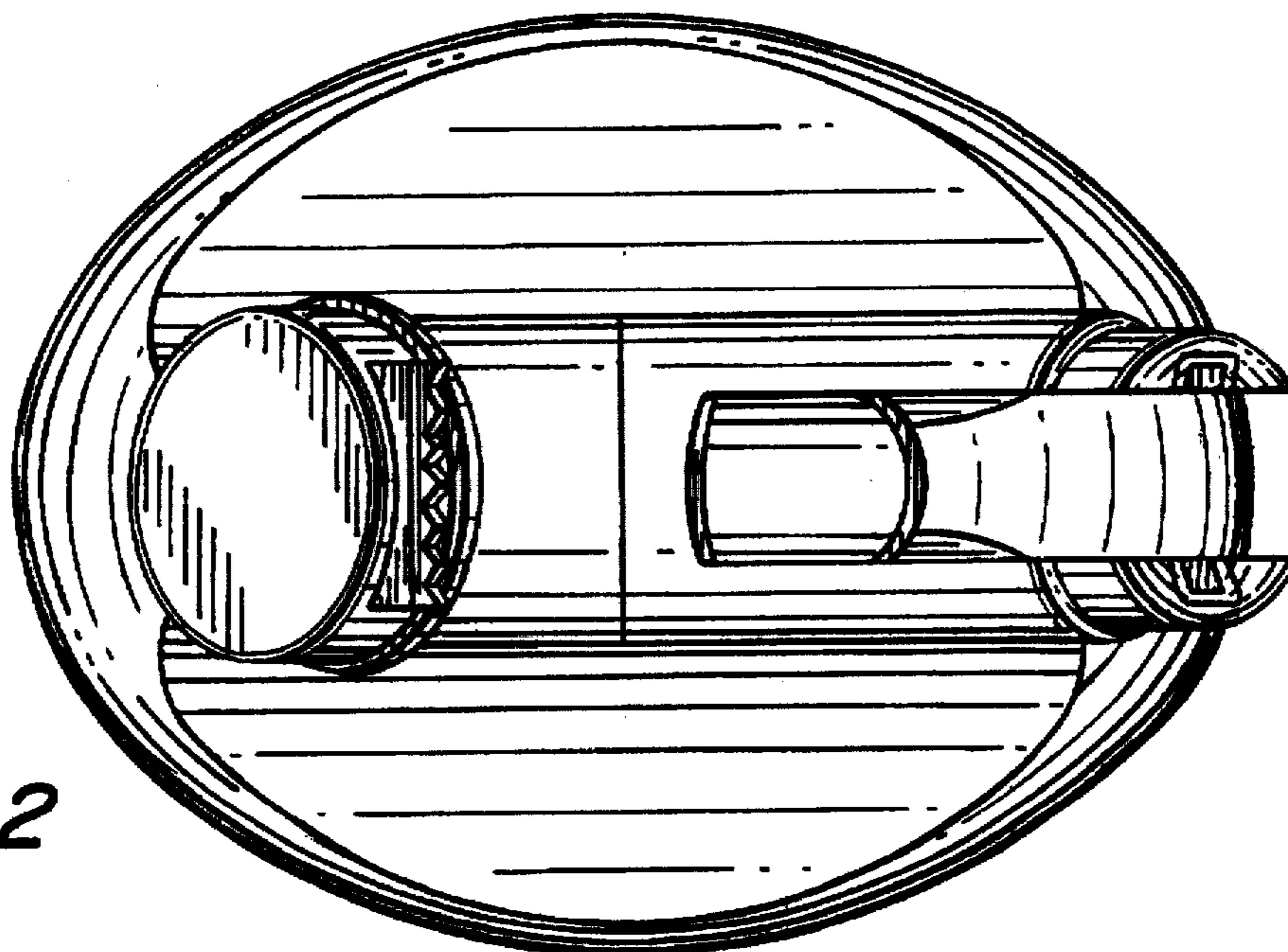


FIG. 2

FIG. 4

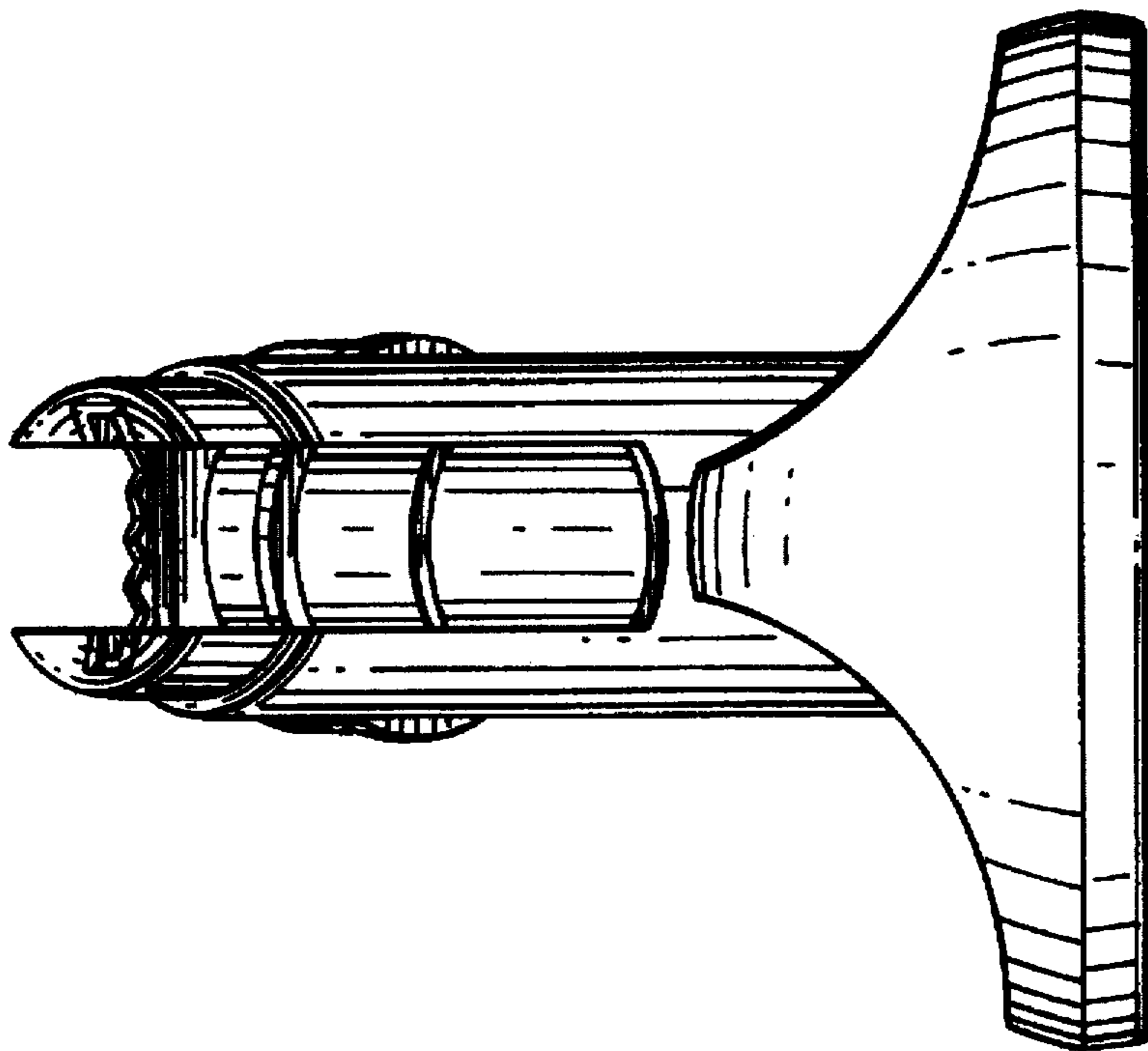


FIG. 3

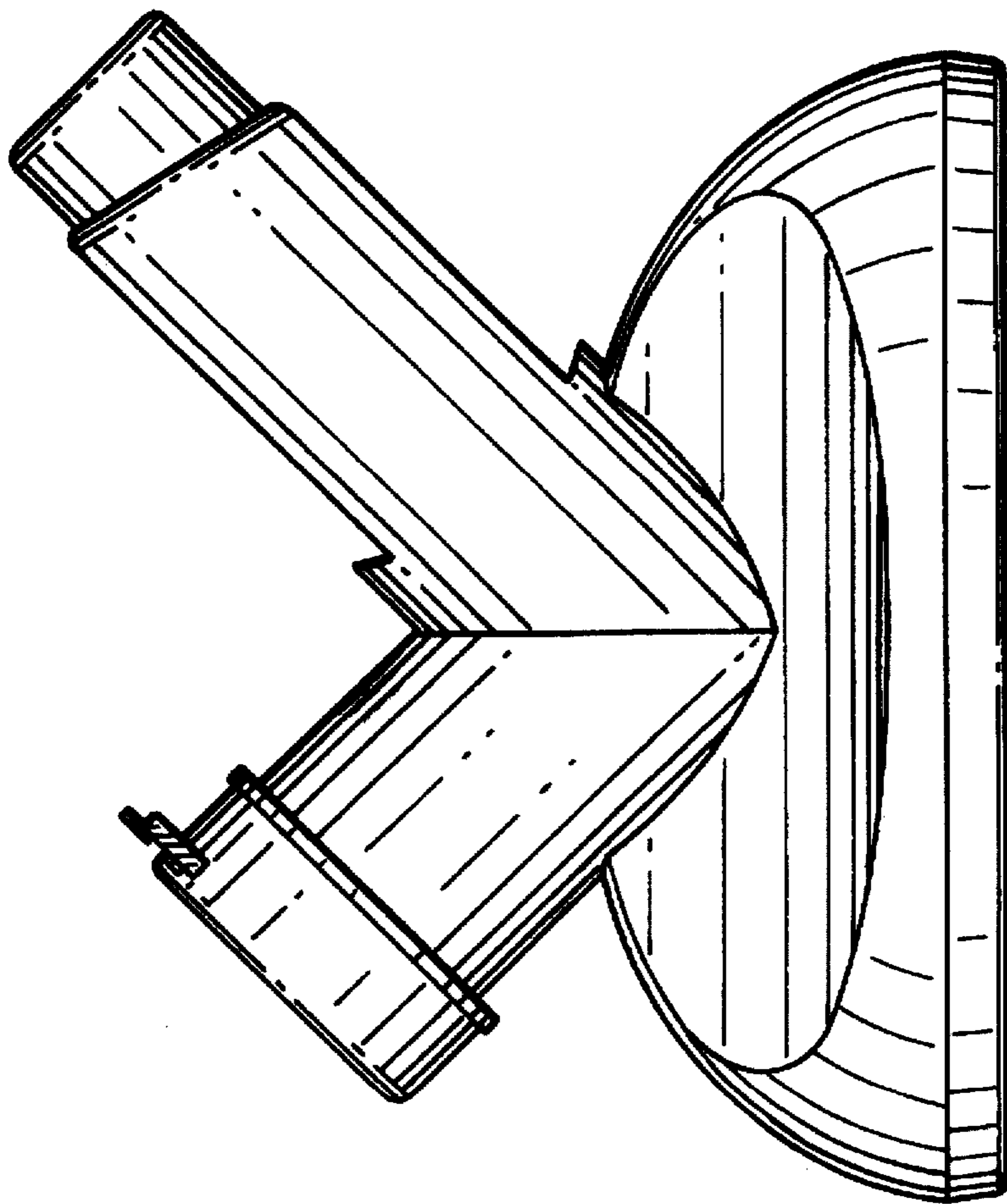


FIG. 5

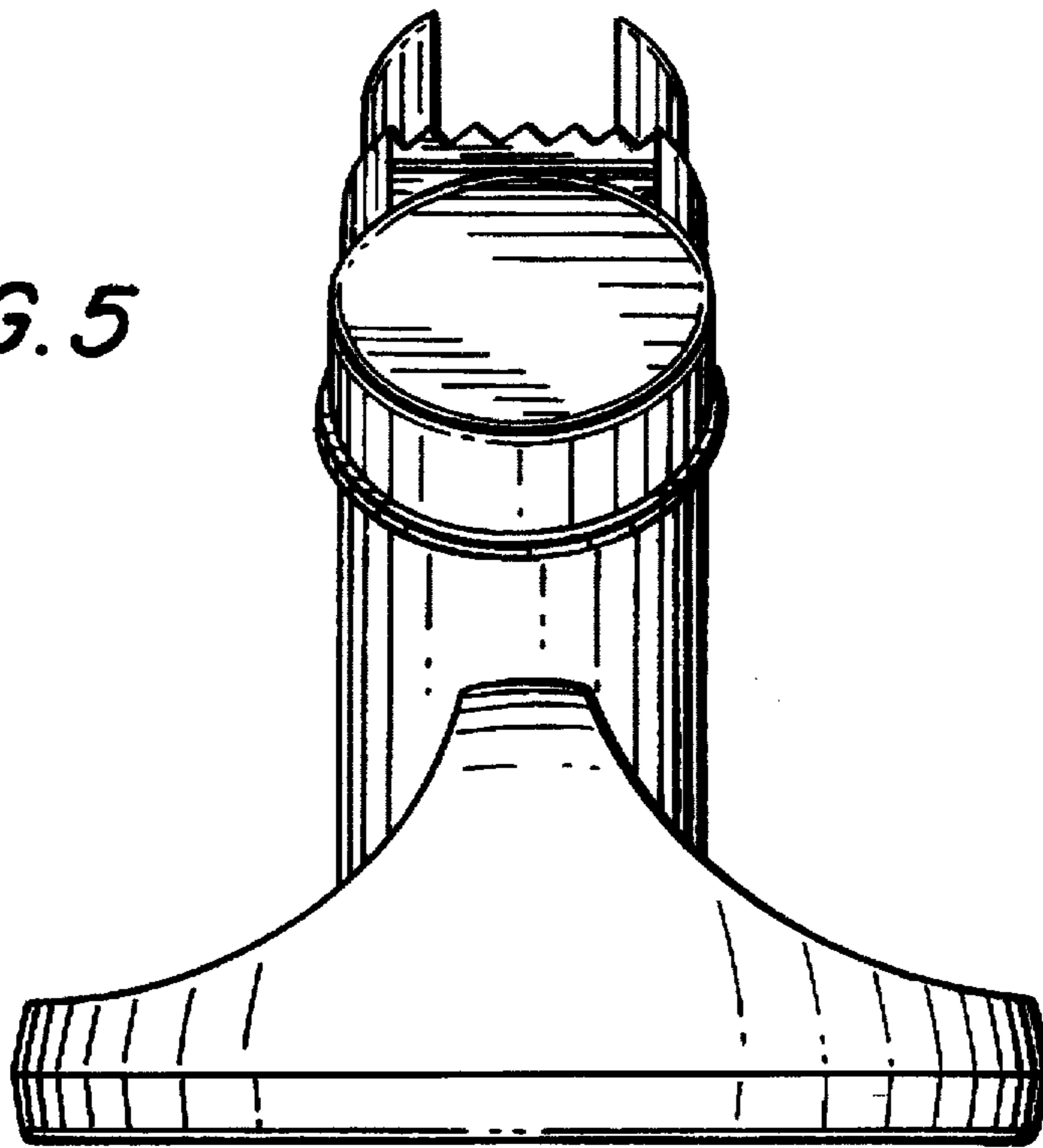


FIG. 6

