



US00D390871S

United States Patent [19] Whitney

[11] Patent Number: **Des. 390,871**
[45] Date of Patent: ****Feb. 17, 1998**

[54] GROWTH CHART PHOTO ALBUM

4,965,948 10/1990 Ruebens 40/537
5,361,507 11/1994 Lopez 33/515

[76] Inventor: **Doyle Whitney**, 1392 SE. 64th Ct., Hillsboro, Oreg. 97123

OTHER PUBLICATIONS

Imagiix "Watch Me Grow" photo-growth chart, ©1996 Imagiix, Inc., 555 Carr Street, Cincinnati, OH 45203.

[**] Term: **14 Years**

Primary Examiner—Martie Thompson
Attorney, Agent, or Firm—Marger, Johnson, McCollom & Stolowitz, P.C.

[21] Appl. No.: **69,682**

[22] Filed: **Apr. 1, 1997**

[51] LOC (6) Cl. **19-04**

[57] CLAIM

[52] U.S. Cl. **D19/26; D10/71; D6/309; D19/59**

The ornamental design for a growth chart photo album, as shown and described.

[58] Field of Search D10/71; D19/26, D19/27, 28, 86, 99, 100; 281/15.1, 19.1, 29, 45; 33/511, 458, 512, 515; 40/537, 391, 771; D6/300-312; D20/42

DESCRIPTION

[56] References Cited

U.S. PATENT DOCUMENTS

D. 136,673	11/1943	Reiter	D10/71
D. 137,883	5/1944	Widder	D19/26
D. 279,358	6/1985	Lichtman	D10/71
D. 311,219	10/1990	Bergh	D19/26
D. 344,096	2/1994	Tan	D19/26
1,585,747	5/1926	Weingart	D19/26 X
1,974,085	9/1934	Shields et al.	33/512
3,965,595	6/1976	Kiellqvist	D19/27 X
4,118,868	10/1978	Johnson	33/512
4,400,899	8/1983	Martinez	40/391
4,407,070	10/1983	Lowe	33/511
4,514,919	5/1985	Plutsky	40/771
4,713,888	12/1987	Broselow	33/512

FIG. 1 is a front view of the growth chart photo album fully extended, showing my new design for use as a photo wall chart;

FIG. 2 is a side view thereof;

FIG. 3 is a top view thereof;

FIG. 4 is a bottom view thereof;

FIG. 5 is a rear view thereof;

FIG. 6 is a perspective view thereof with the growth chart photo album partially folded;

FIG. 7 is a perspective view thereof with the growth chart photo album completely folded; and,

FIG. 8 is a another perspective view, showing the growth chart photo album folded and opened for use as a photo album.

FIGS. 1, 2, and 3 have been shown broken away for purposes of indicating indeterminate length.

1 Claim, 2 Drawing Sheets

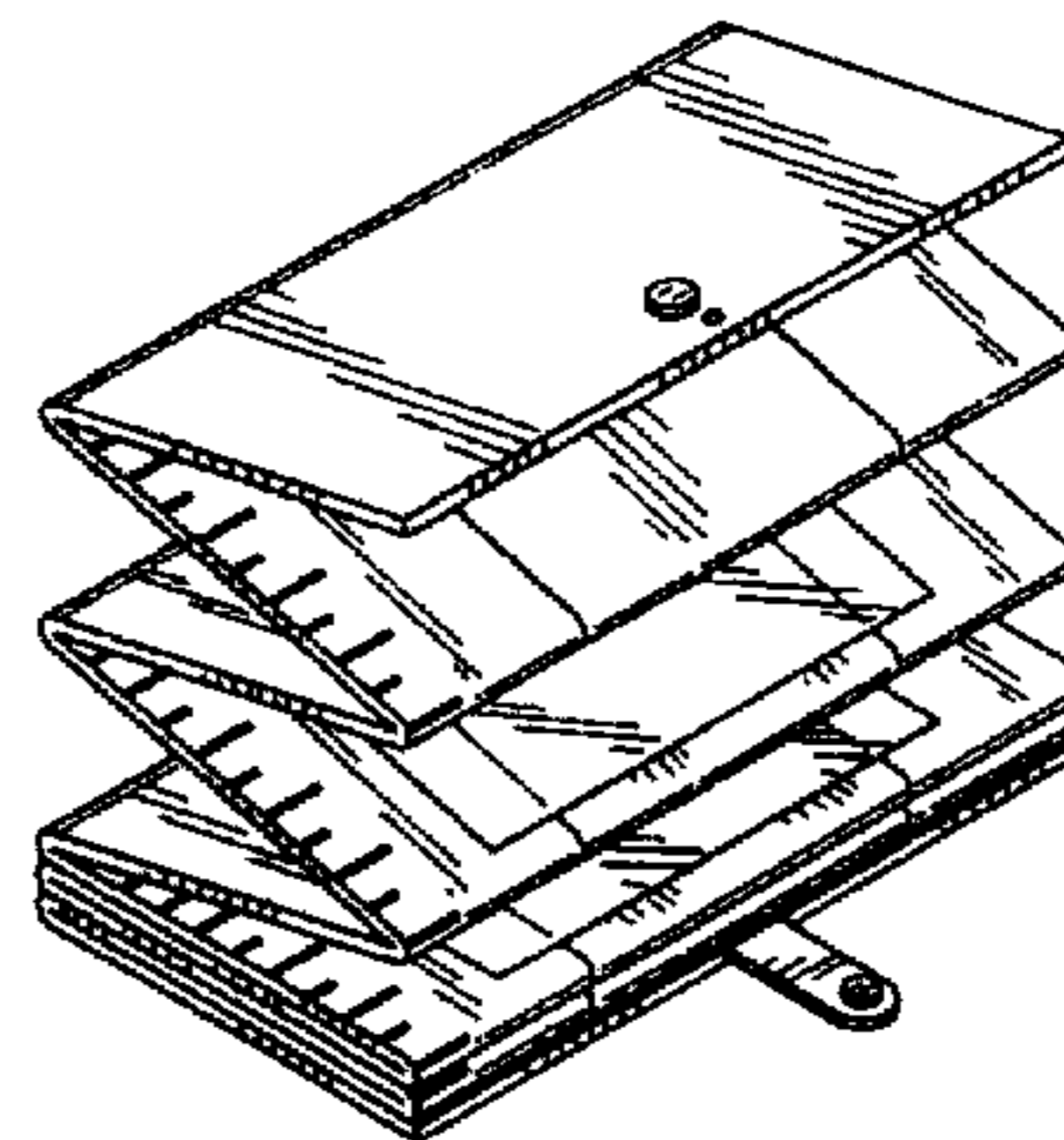
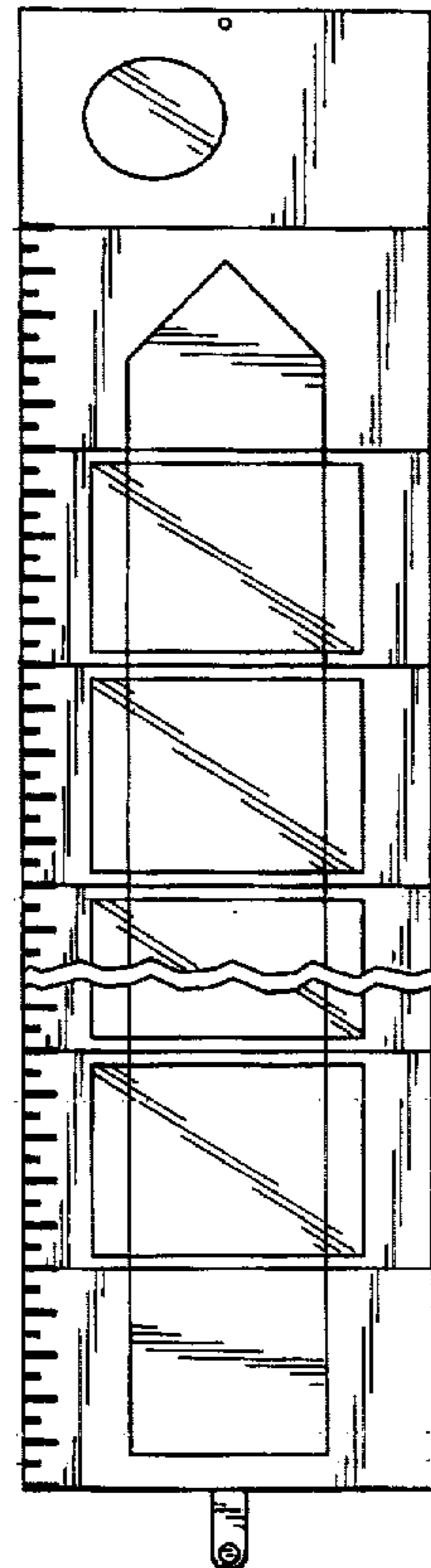




FIG.3

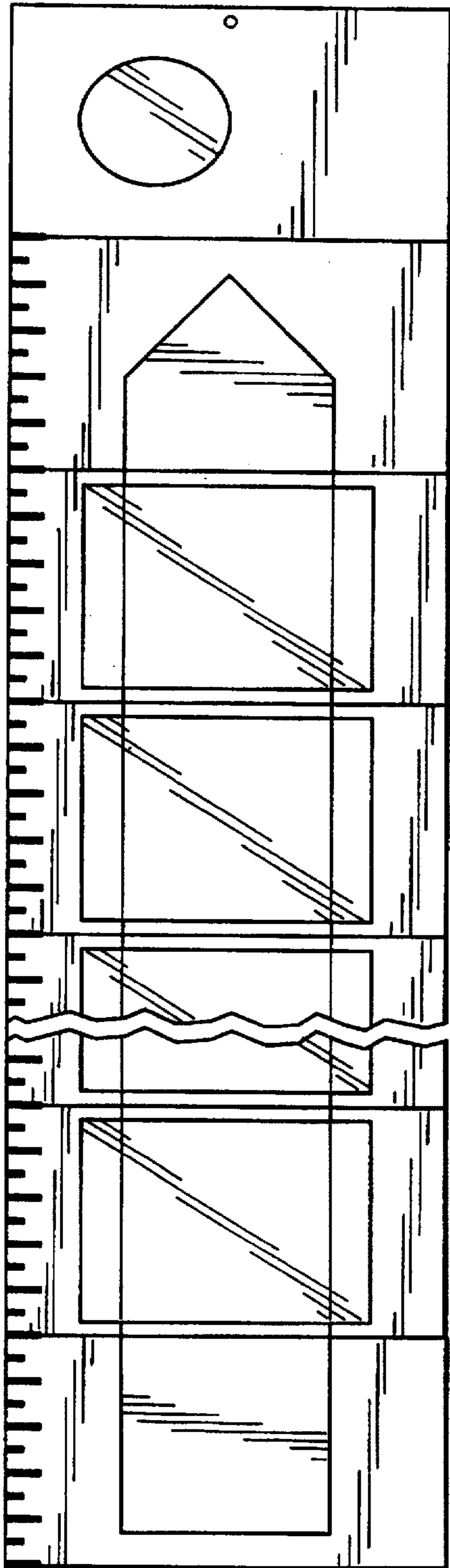


FIG.1



FIG.2

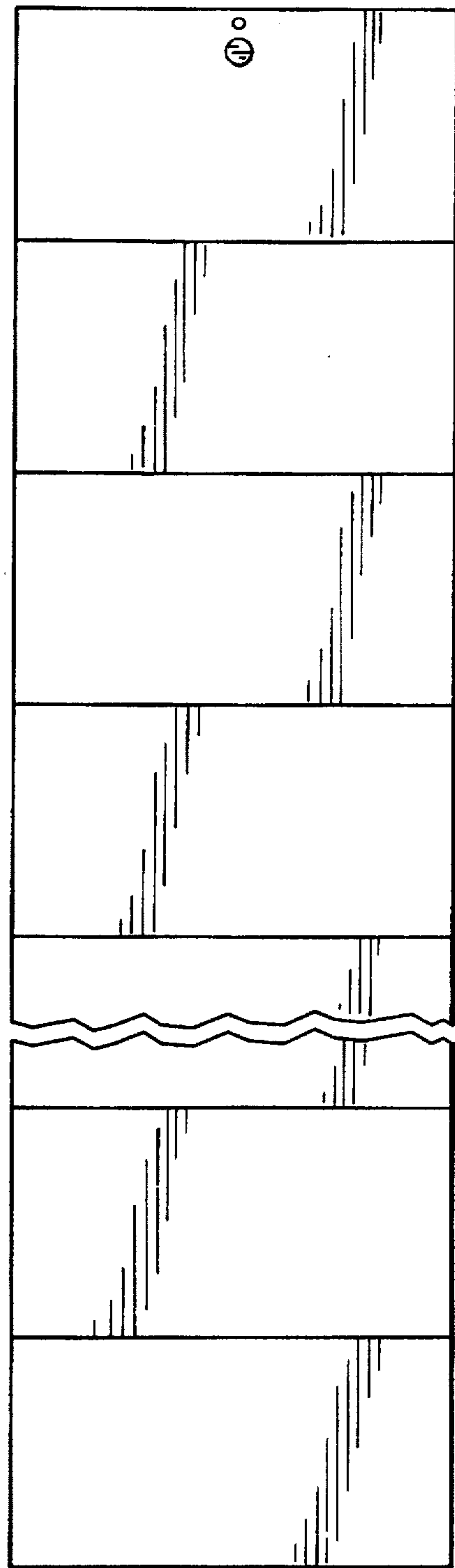


FIG.5



FIG.4

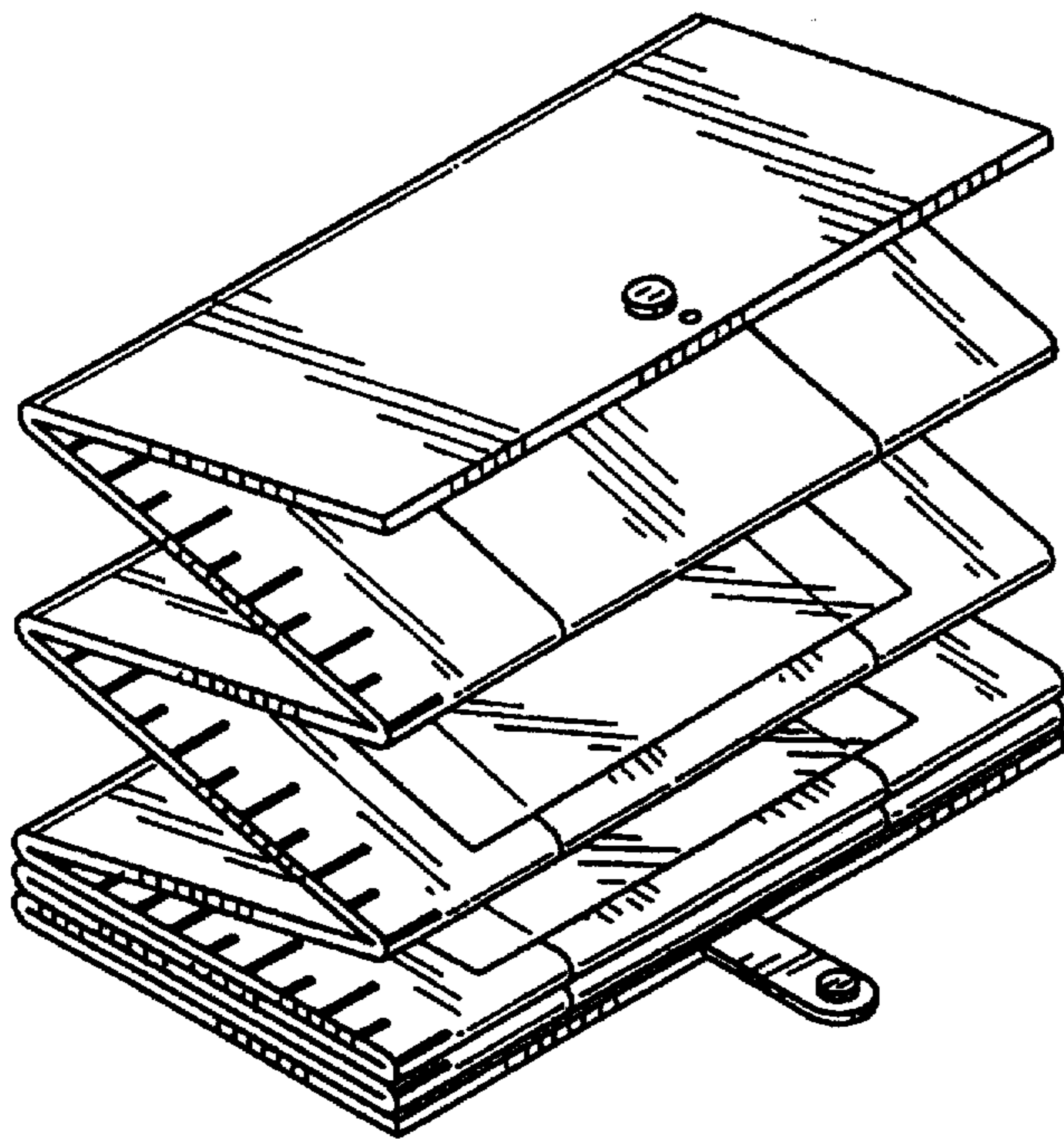


FIG.6

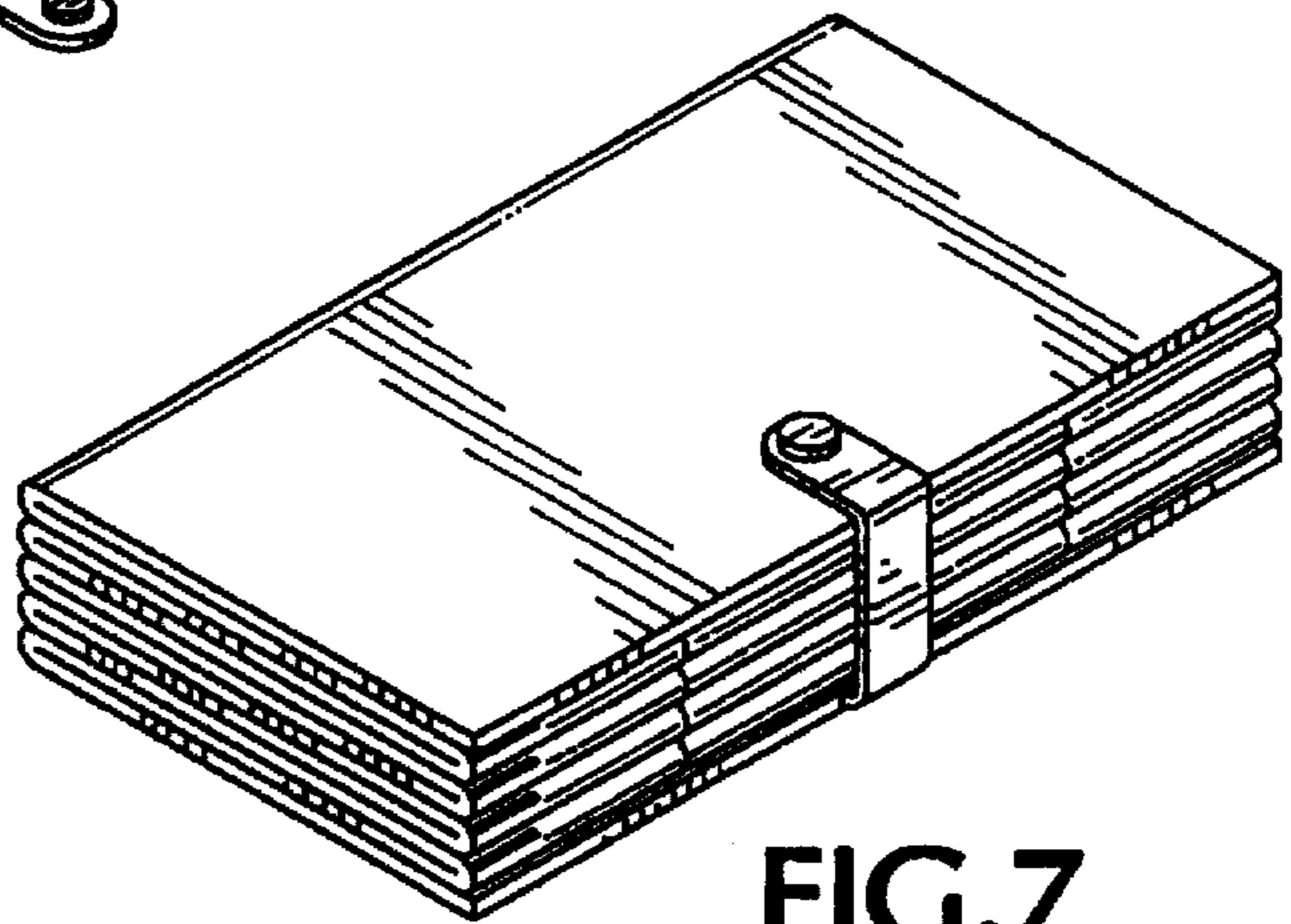


FIG.7

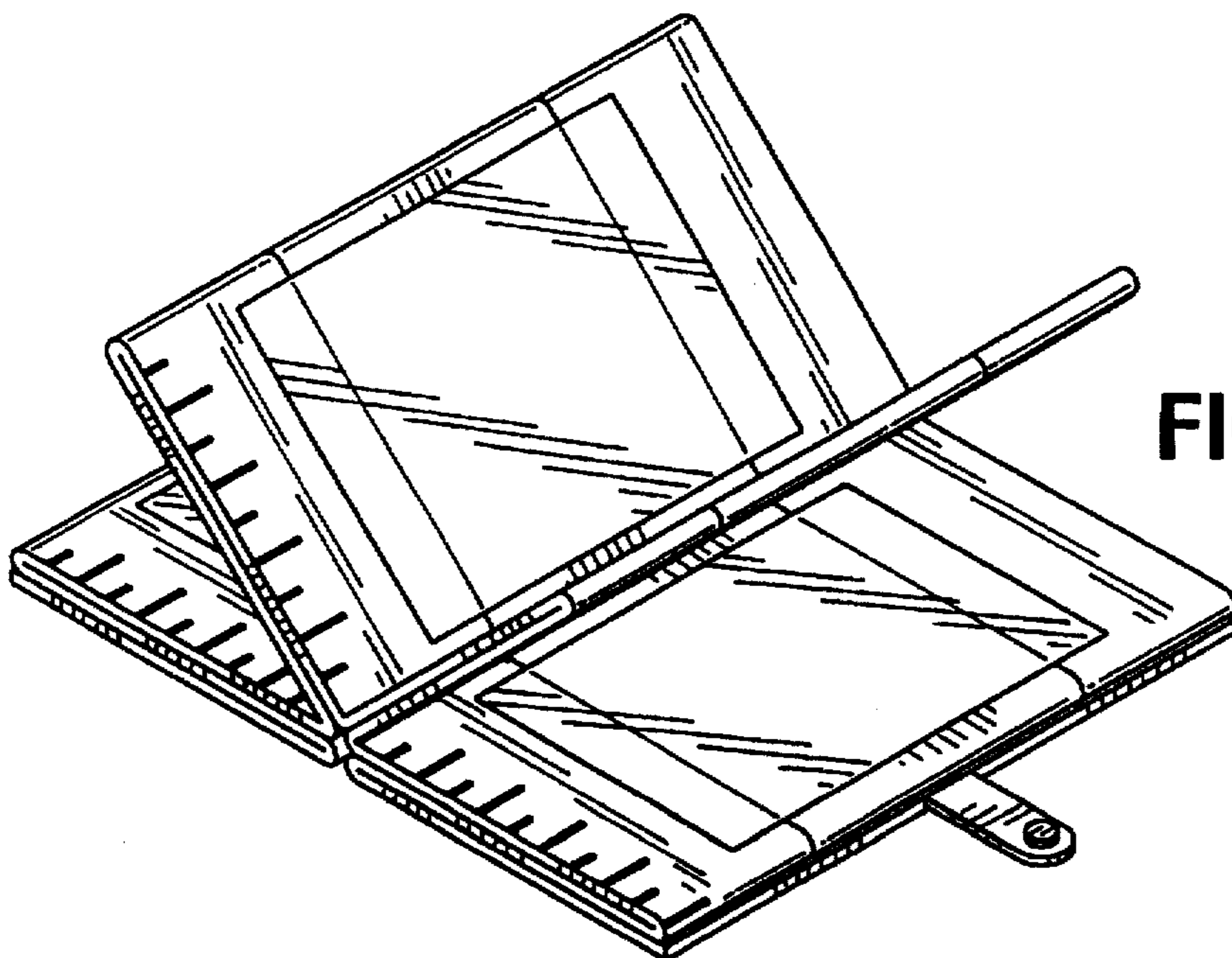


FIG.8