



US00D390860S

# United States Patent [19] Kim

[11] Patent Number: **Des. 390,860**  
[45] Date of Patent: **\*\*Feb. 17, 1998**

[54] CAMERA

[75] Inventor: **Joo Bok Kim**, Seoul, Rep. of Korea

[73] Assignee: **Samsung Aerospace Industries, Ltd.**,  
Kyeongsangnam-do, Rep. of Korea

[\*\*] Term: **14 Years**

[21] Appl. No.: **64,429**

[22] Filed: **Dec. 31, 1996**

[51] LOC (6) Cl. .... **16-01**

[52] U.S. Cl. .... **D16/217; D16/209**

[58] Field of Search ..... **D16/200-205,**  
**D16/208, 209, 216-218; 396/206, 354,**  
**535-543, 355-359**

[56] **References Cited**

**U.S. PATENT DOCUMENTS**

D. 253,475	11/1979	Kramer et al. ....	D16/217
D. 306,742	3/1990	Goto .....	D16/217
D. 324,691	3/1992	Sugiyama et al. ....	D16/217
D. 328,755	8/1992	Kumakura .....	D16/217
D. 363,301	10/1995	Giugiaro et al. ....	D16/217
4,406,533	9/1983	Yamamoto .....	396/206

**OTHER PUBLICATIONS**

Canon Products Catalog, p. 2 (EOS 750 camera), 1989.

*Primary Examiner*—Philip S. Hyder  
*Assistant Examiner*—Adir Aronovich

*Attorney, Agent, or Firm*—Finnegan, Henderson, Farabow,  
Garrett & Dunner, L.L.P.

[57] **CLAIM**

The ornamental design for a camera, as shown and described.

**DESCRIPTION**

FIG. 1 is a front elevational view of the design for a camera;  
 FIG. 2 is a rear elevational view of the design of FIG. 1;  
 FIG. 3 is a top plan view of the design of FIG. 1;  
 FIG. 4 is a bottom plan view of the design of FIG. 1;  
 FIG. 5 is a left side elevational view of the design of FIG. 1;  
 FIG. 6 is a right side elevational view of the design of FIG. 1;  
 FIG. 7 is a top, front and left side perspective view of the design of FIG. 1; and,  
 FIG. 8 is a top, front and left side perspective view illustrating the camera of the present design in which a flashbulb is opened and a cover for an outer flashbulb mount is removed.

**1 Claim, 5 Drawing Sheets**

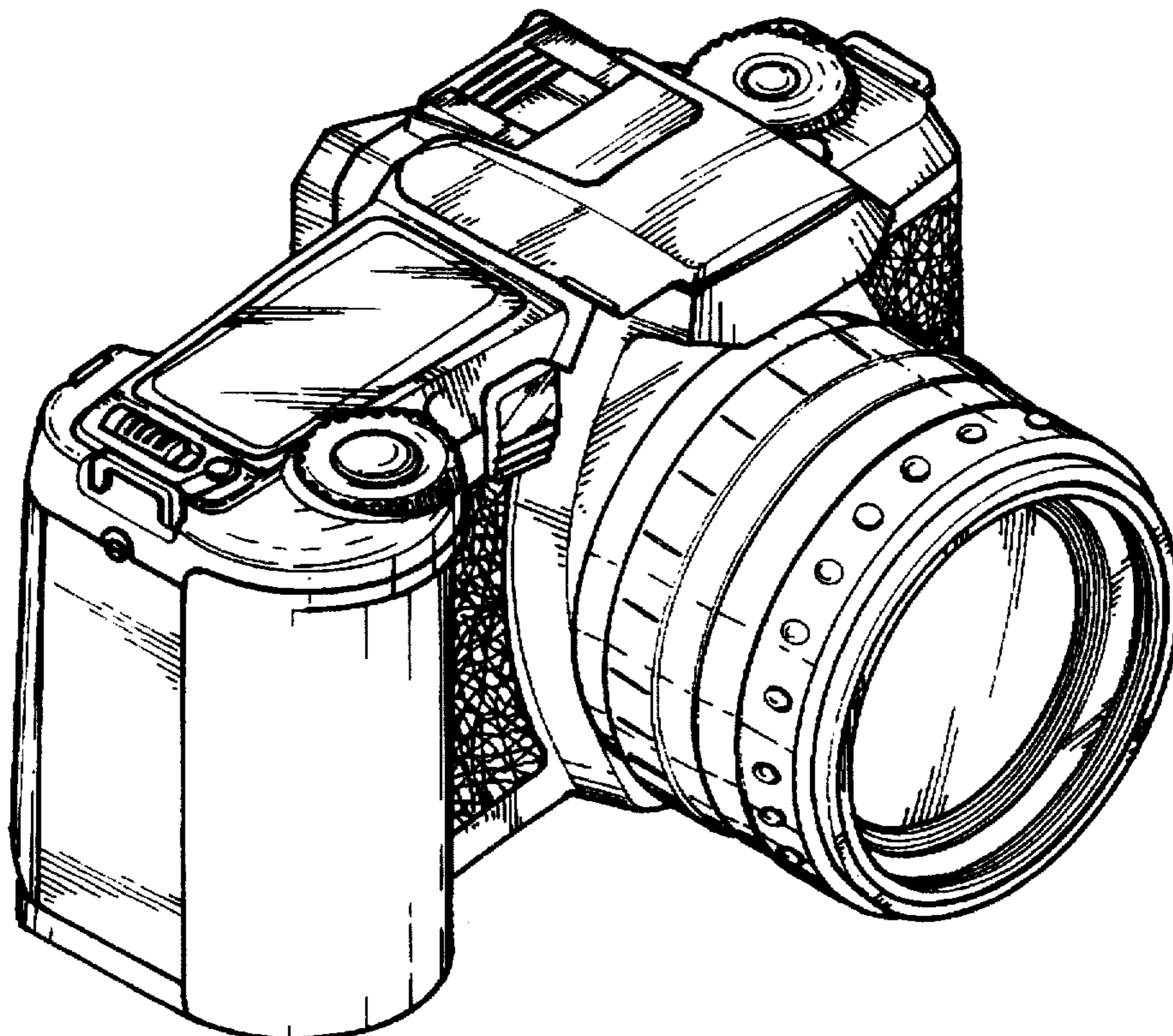


FIG. 1

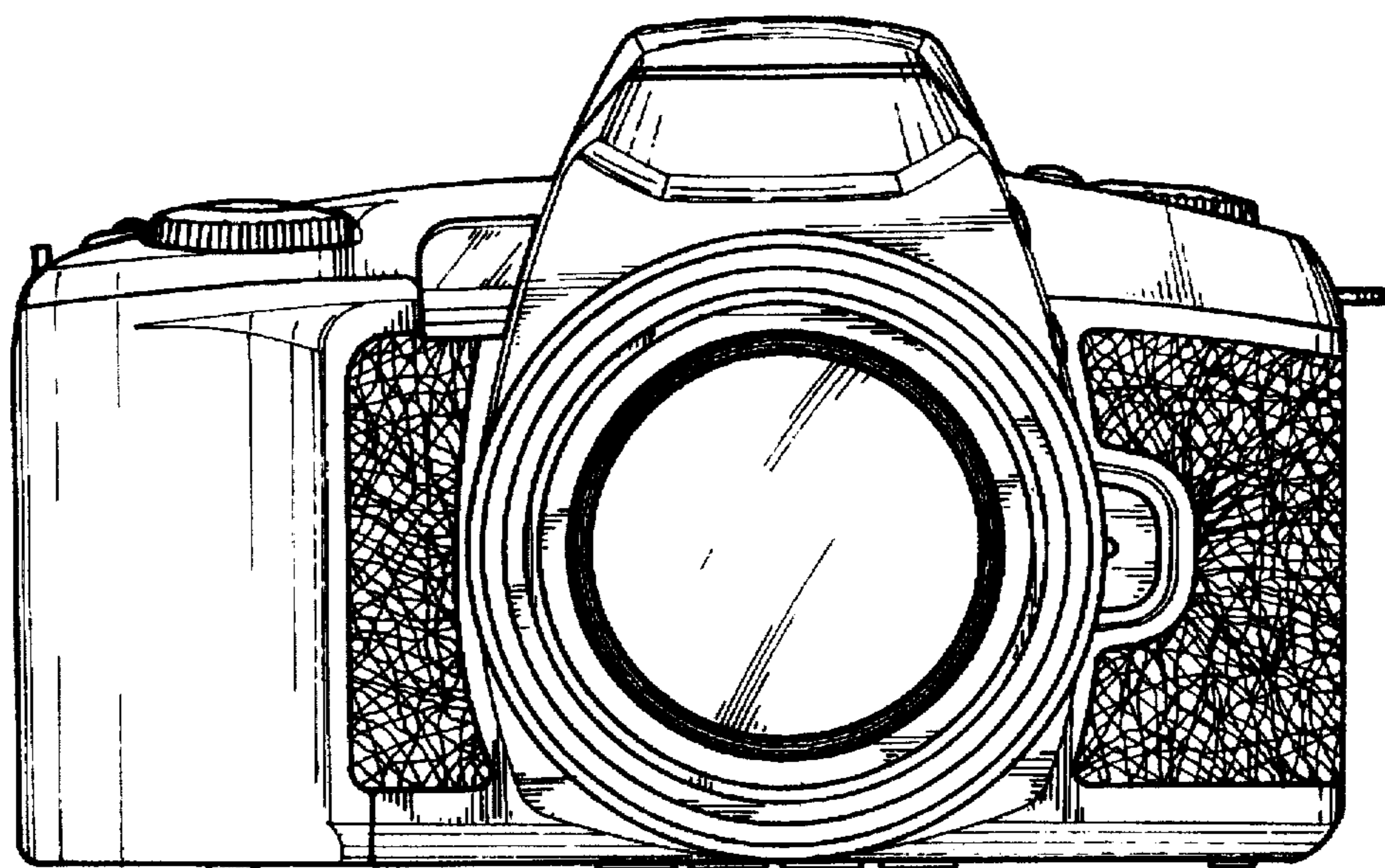


FIG. 2

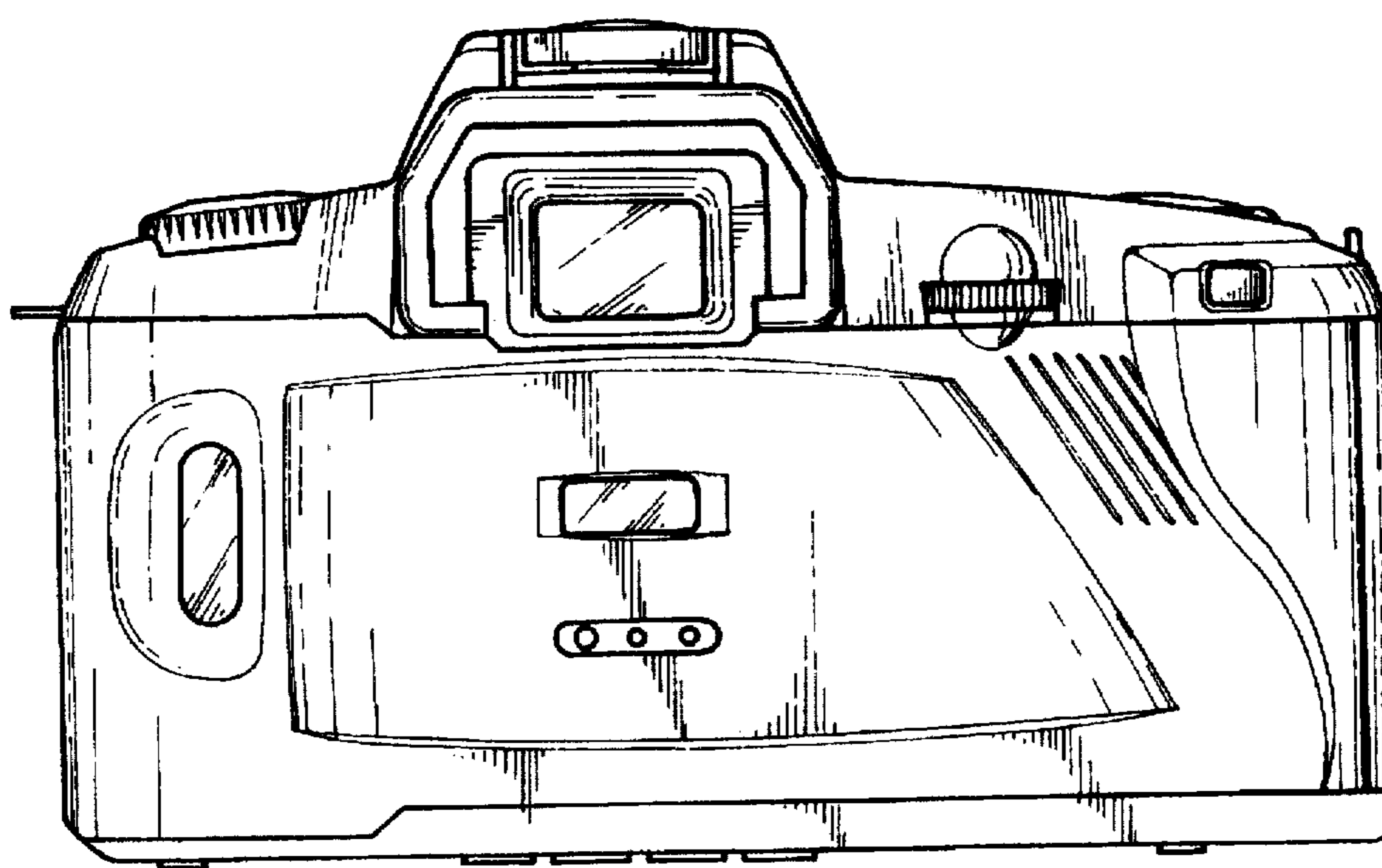




FIG.3

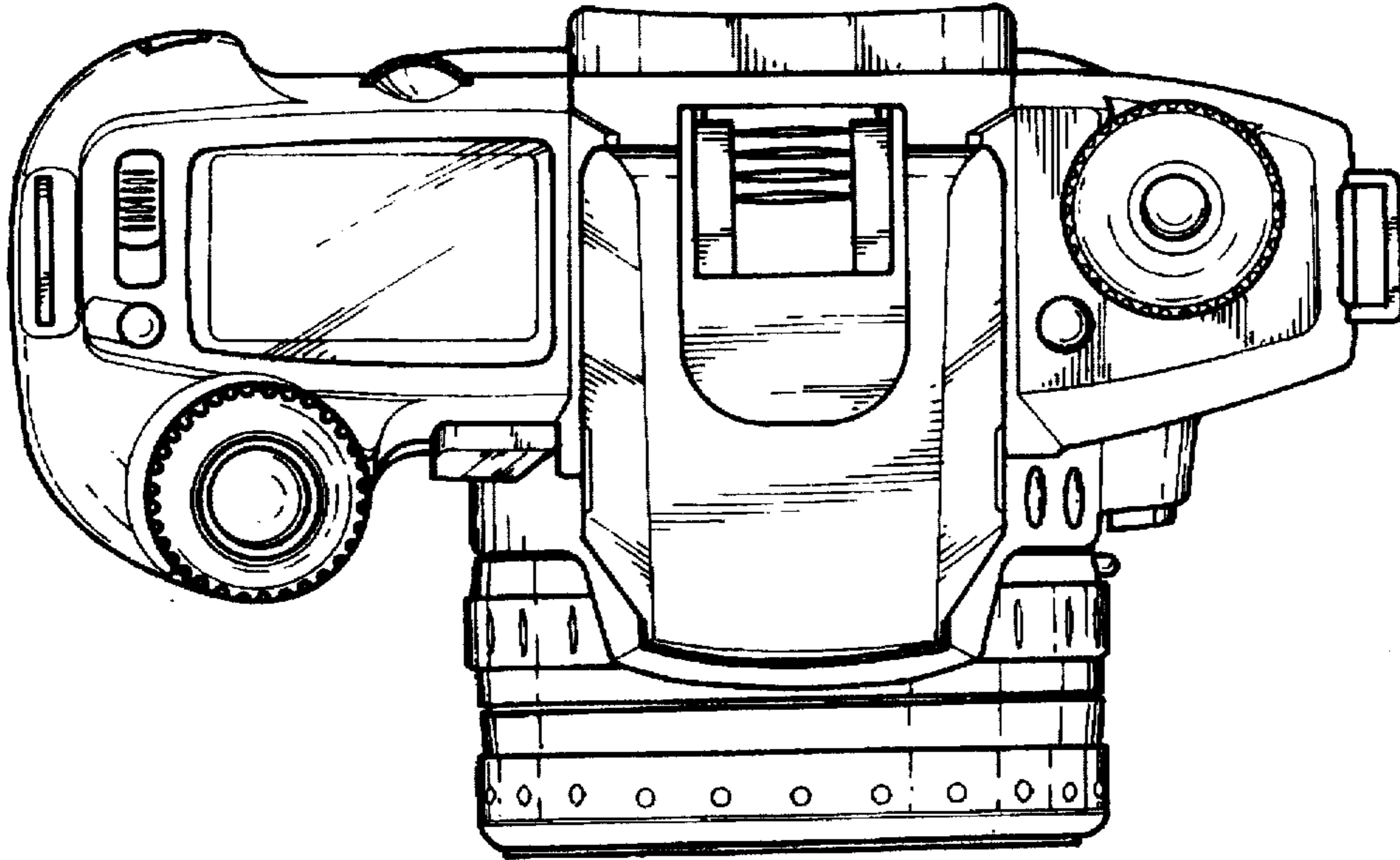


FIG.4

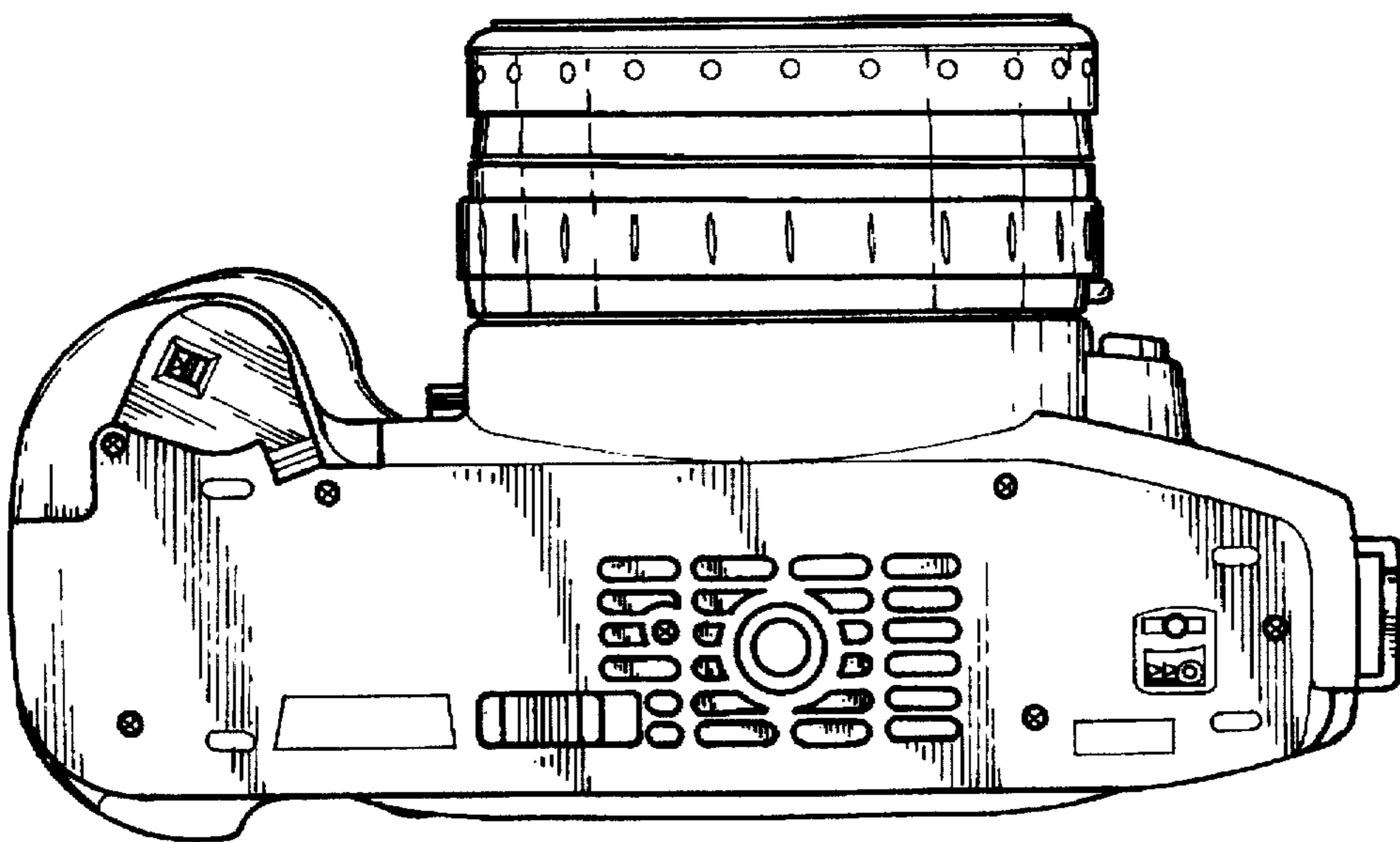


FIG. 5

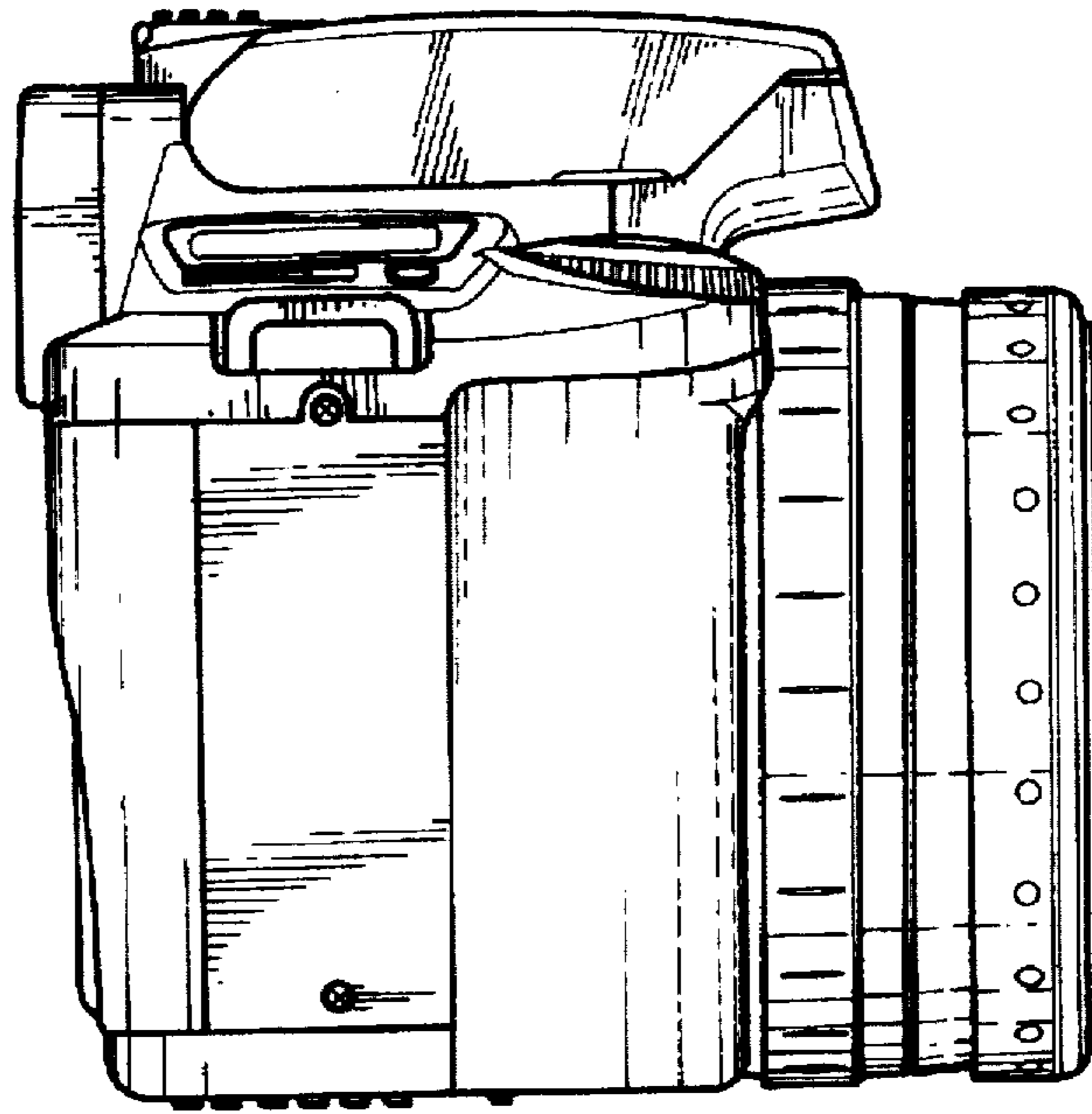
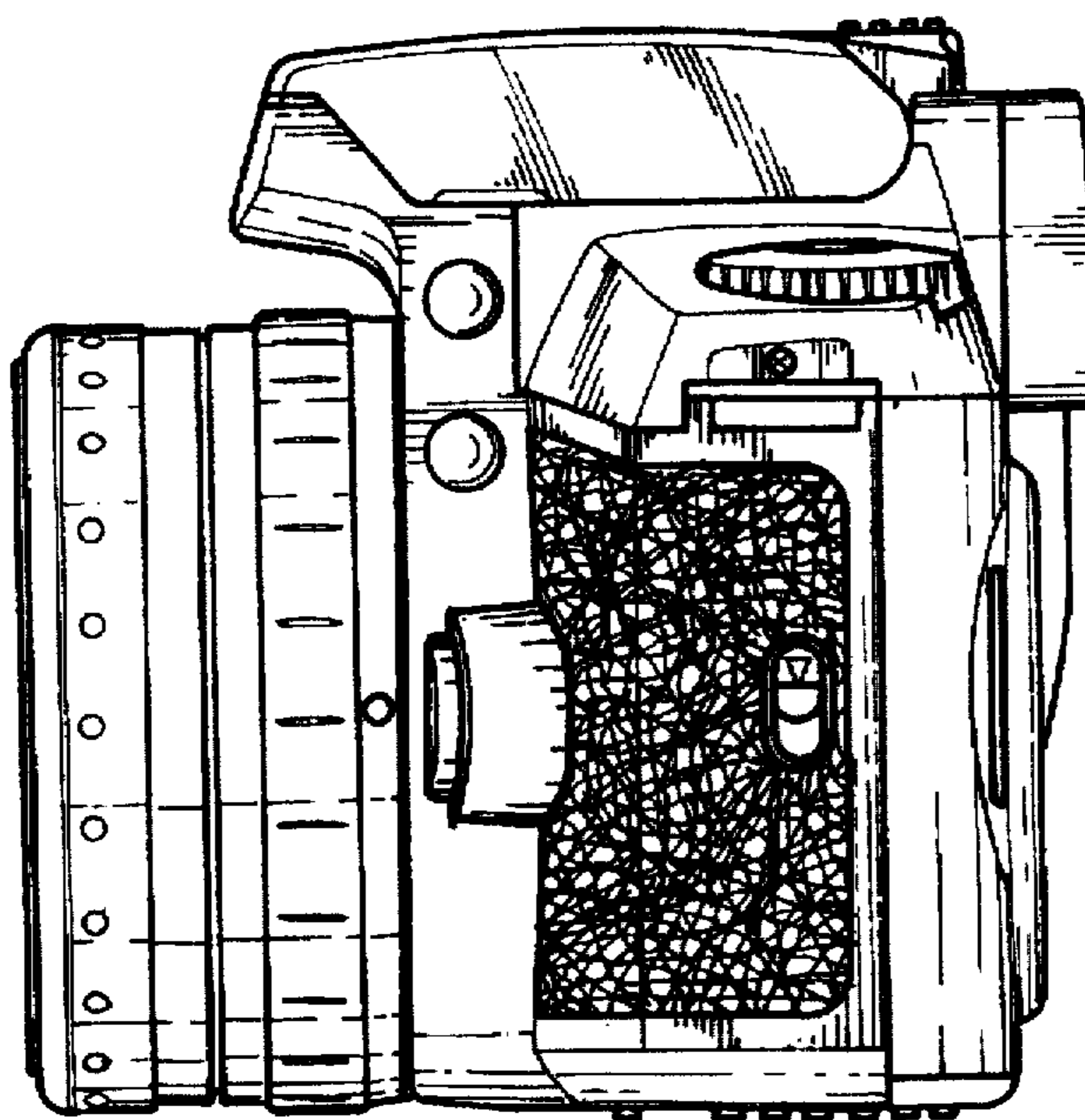


FIG. 6



**FIG. 7**

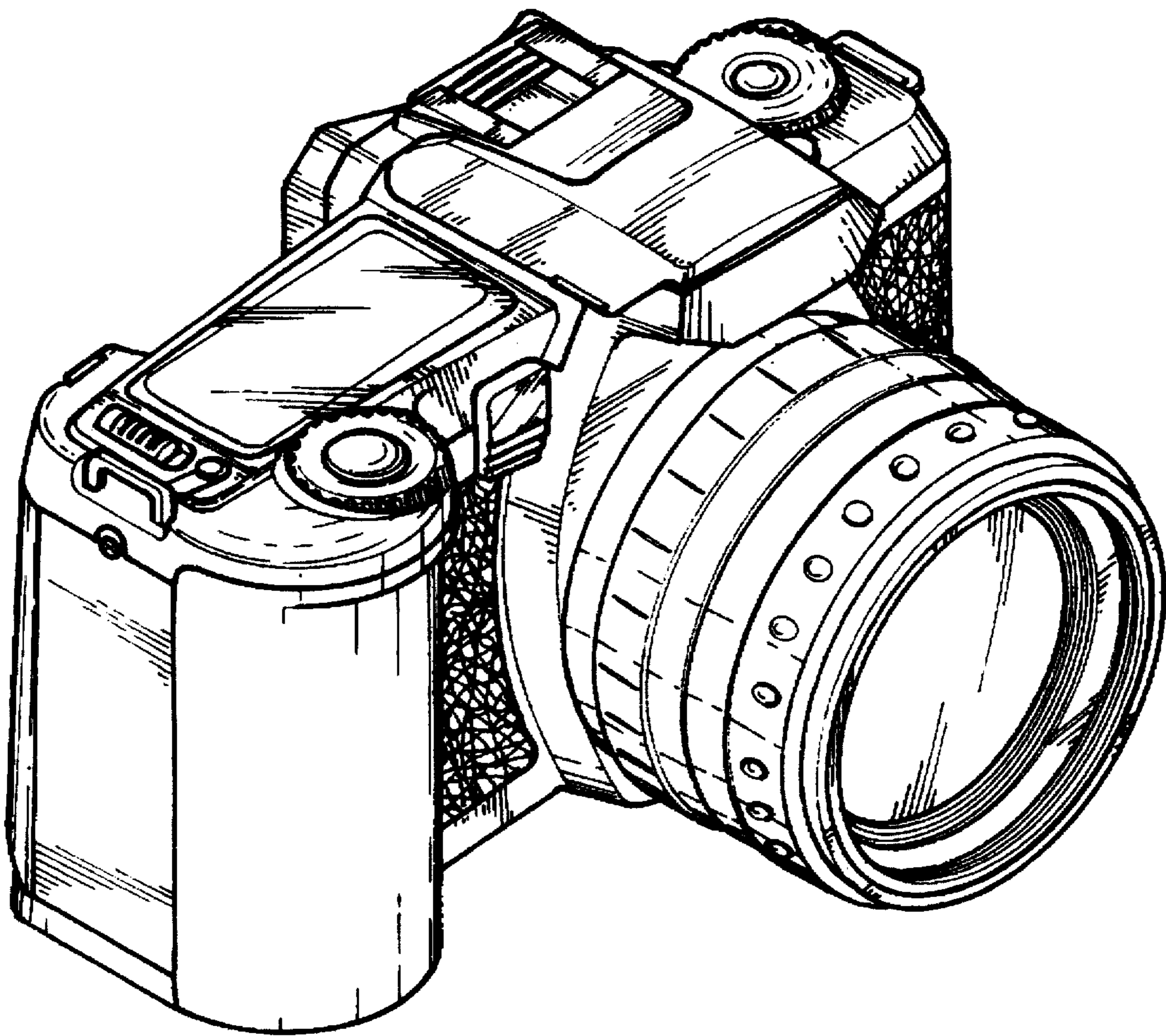




FIG. 8

