



US00D390858S

United States Patent [19]
Wen

[11] **Patent Number: Des. 390,858**
[45] **Date of Patent: **Feb. 17, 1998**

[54] **DIGITAL CAMERA**

[75] **Inventor: Tien-Chi Wen, Shinjuang, Taiwan**

[73] **Assignee: Fifty Cycle Video Laser Device Co., Ltd., Shinjuang, Taiwan**

[**] **Term: 14 Years**

[21] **Appl. No.: 69,350**

[22] **Filed: Apr. 7, 1997**

[51] **LOC (6) Cl. 16-01**

[52] **U.S. Cl. D16/202; D16/203**

[58] **Field of Search D16/200-205,
D16/221, 225; 348/15-20, 143, 373-376;
358/906, 909.1; 396/535-543; H04N 5/225**

[56] **References Cited**

U.S. PATENT DOCUMENTS

D. 349,907	8/1994	Allmendinger	D16/202
D. 355,205	2/1995	Yokoi	D16/202
D. 360,646	7/1995	Nomura	D16/202
D. 374,242	10/1996	Yamanouchi	D16/202

FOREIGN PATENT DOCUMENTS

08102882 4/1996 Japan H04N 5/225

OTHER PUBLICATIONS

Computer Telephony Expo Catalog, Mar. 1995.

Primary Examiner—Philip S. Hyder

Assistant Examiner—Adir Aronovich

Attorney, Agent, or Firm—Dellett and Walters

[57] **CLAIM**

The ornamental design for a digital camera, as shown and described.

DESCRIPTION

FIG. 1 is a front-right-top perspective view of a digital camera showing my design;

FIG. 2 is a front elevational view thereof;

FIG. 3 is a rear elevational view thereof;

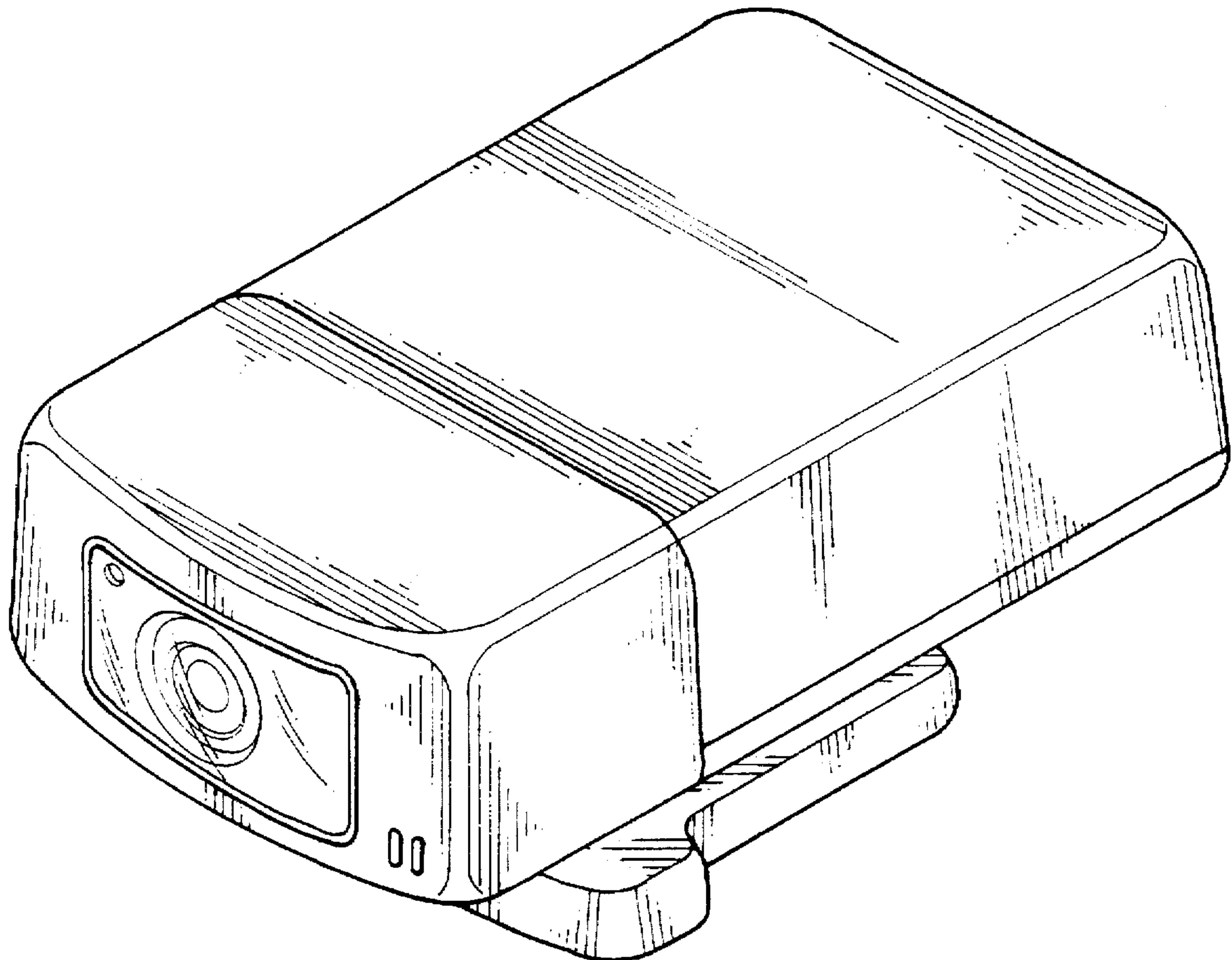
FIG. 4 is a left side view thereof;

FIG. 5 is a right side view thereof;

FIG. 6 is a top plan view thereof; and,

FIG. 7 is a bottom plan view thereof.

1 Claim, 4 Drawing Sheets



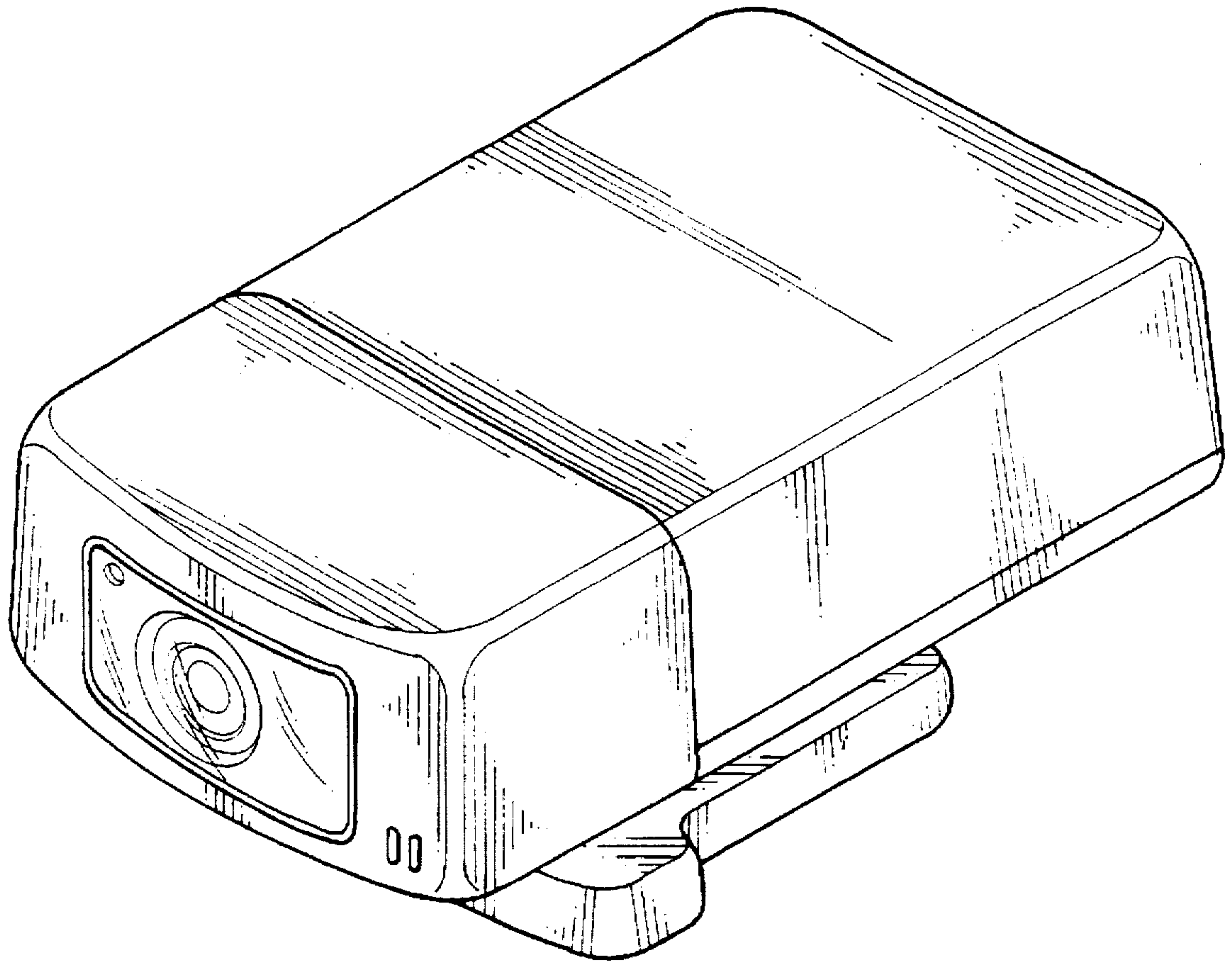


FIG. 1

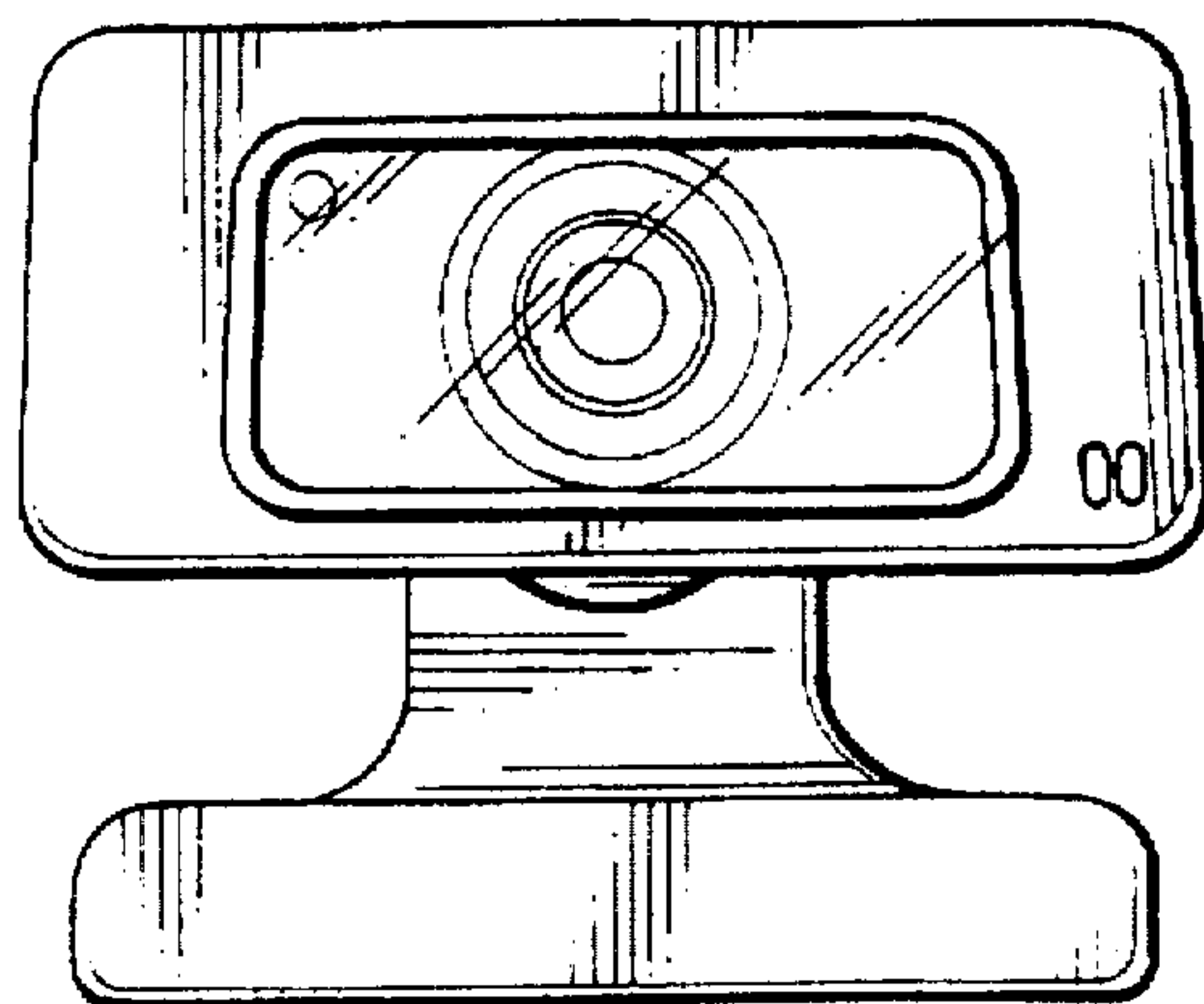


FIG. 2

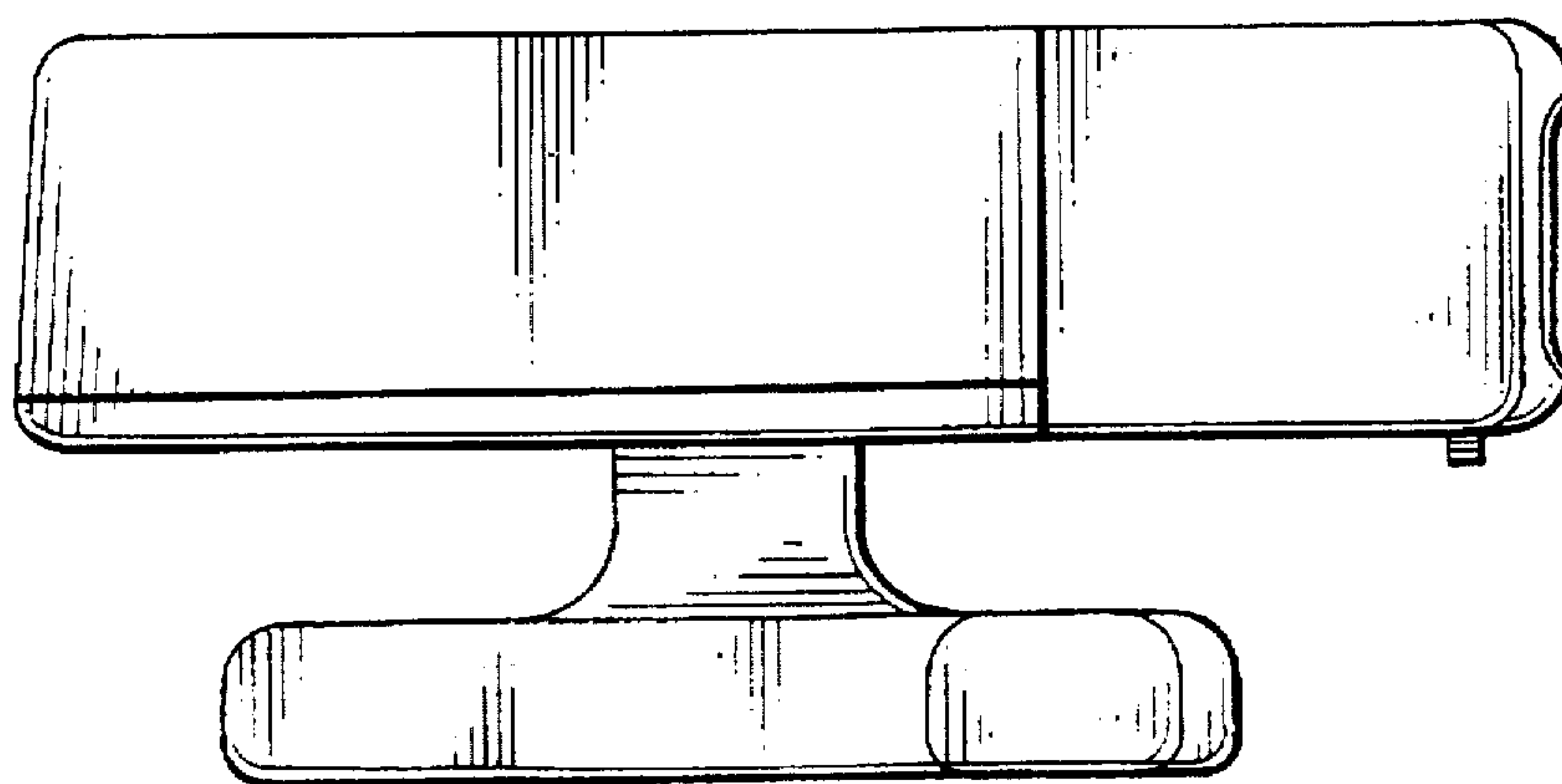


FIG. 4

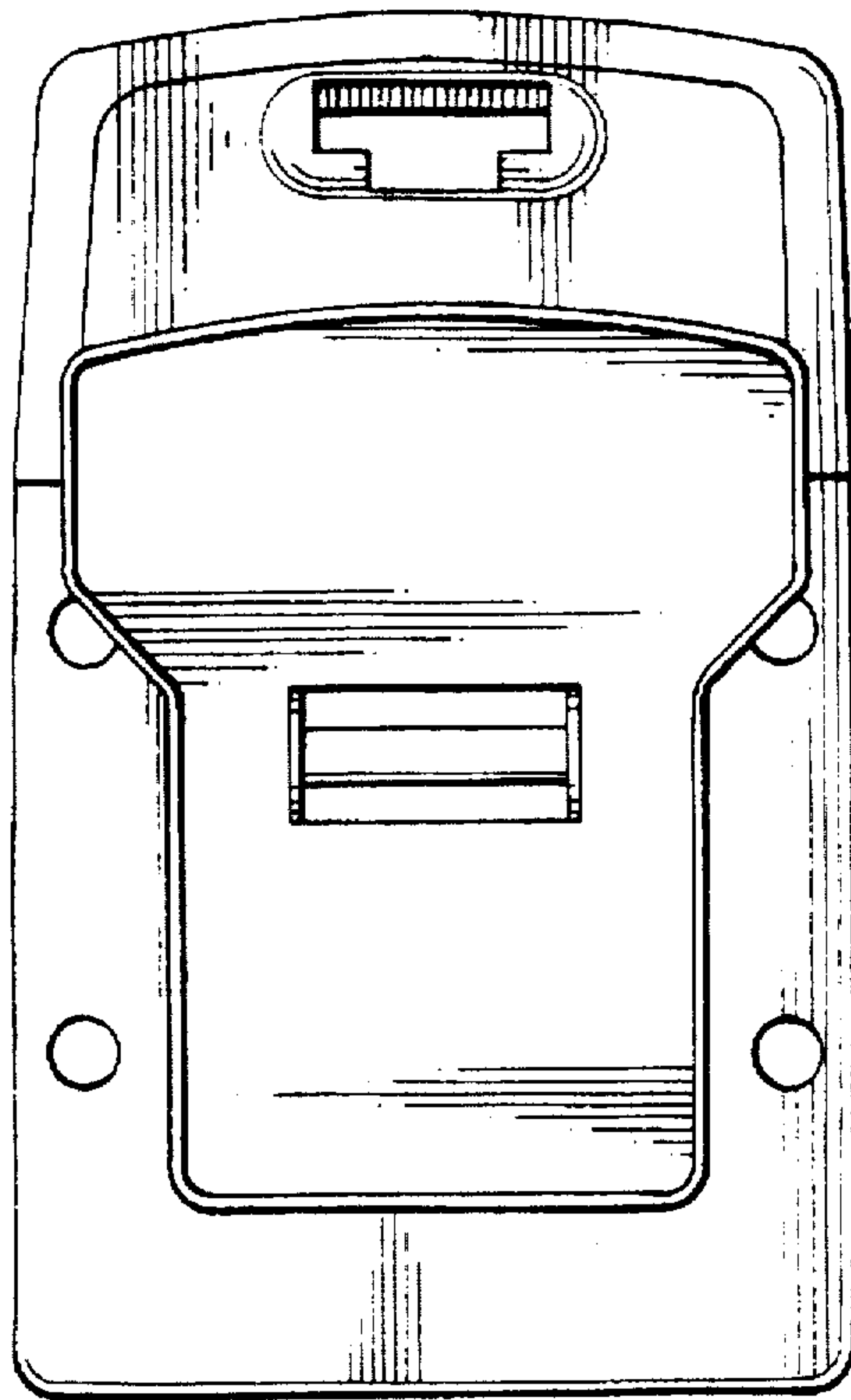


FIG. 7

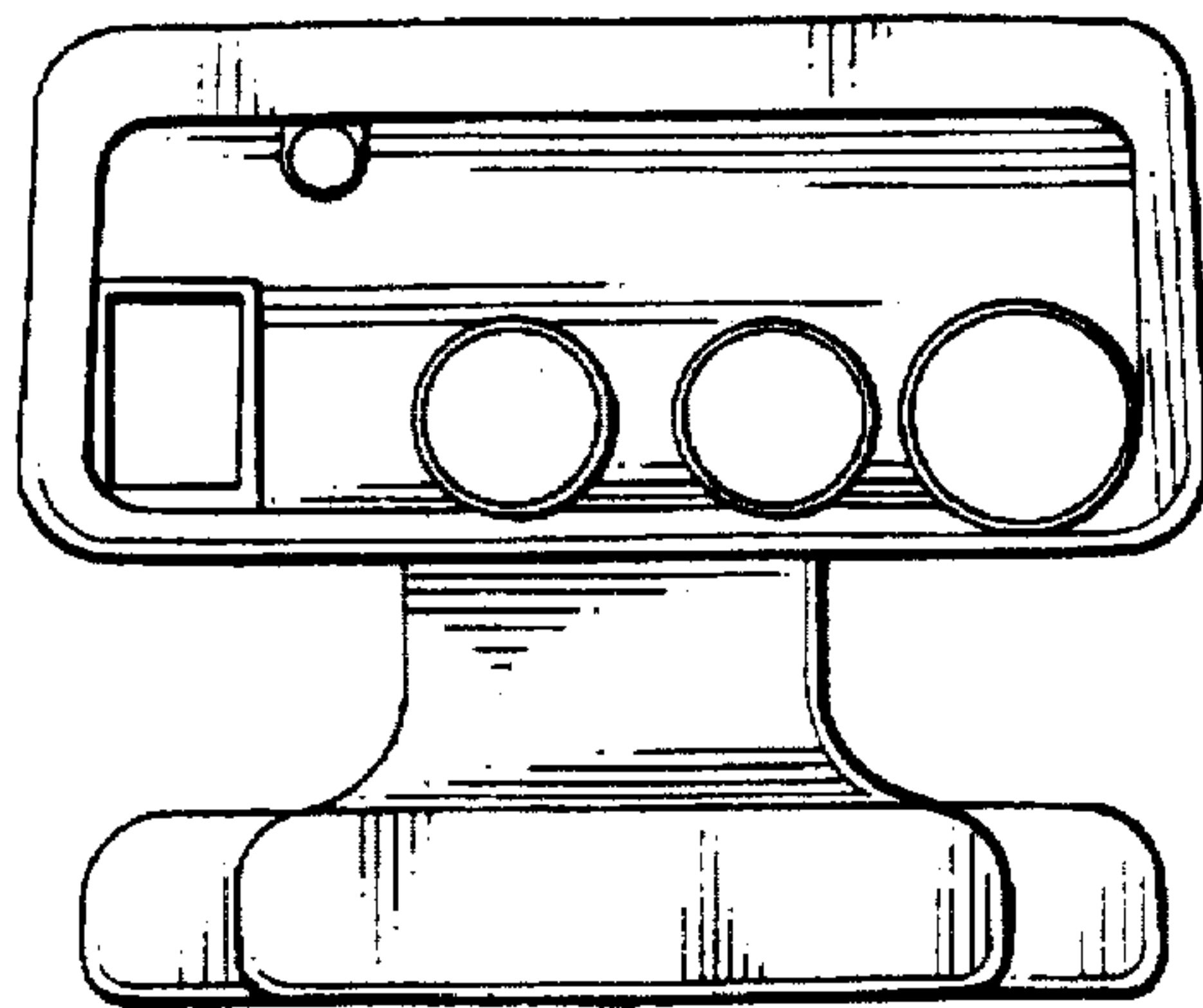


FIG. 3

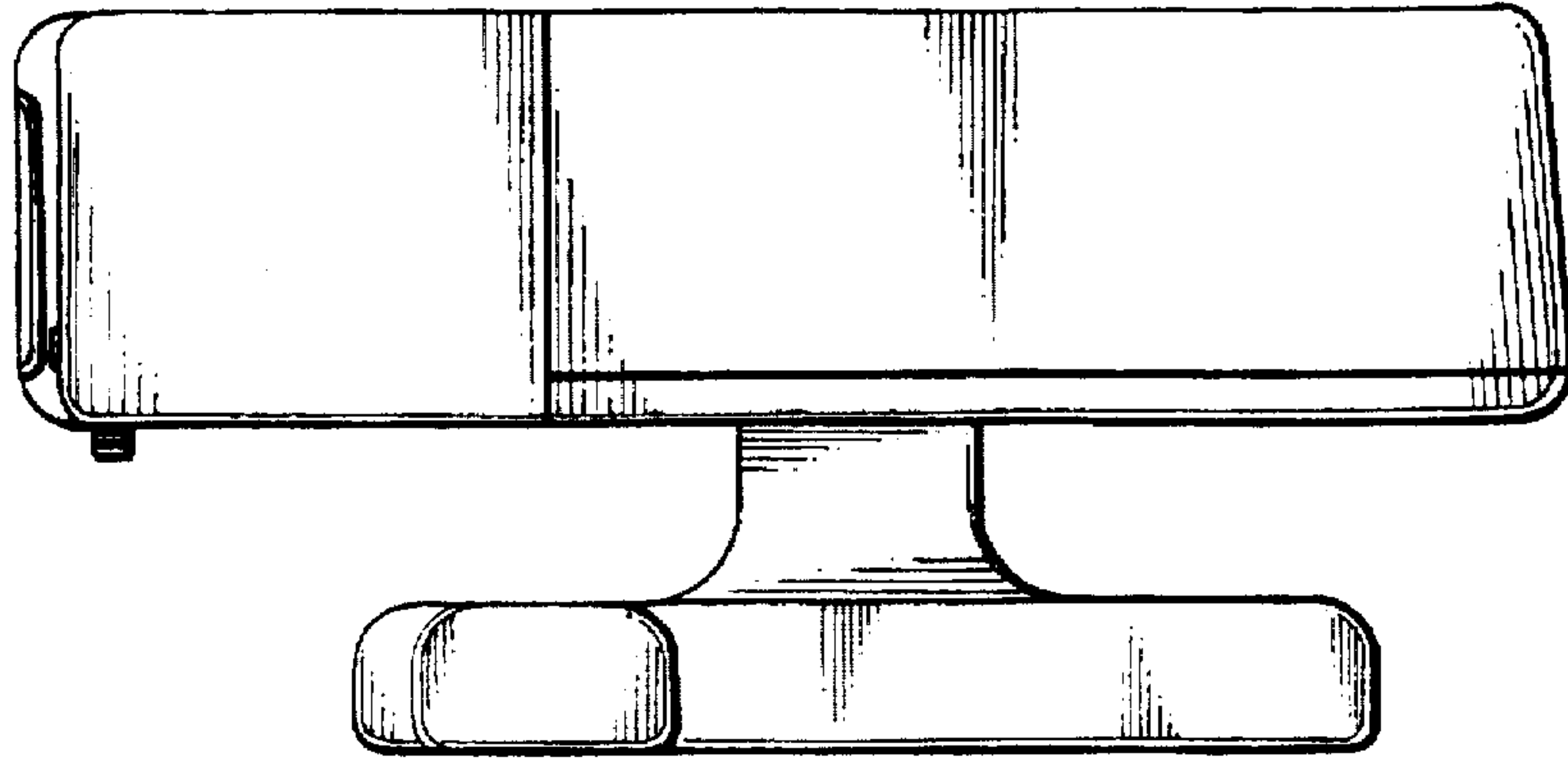


FIG. 5

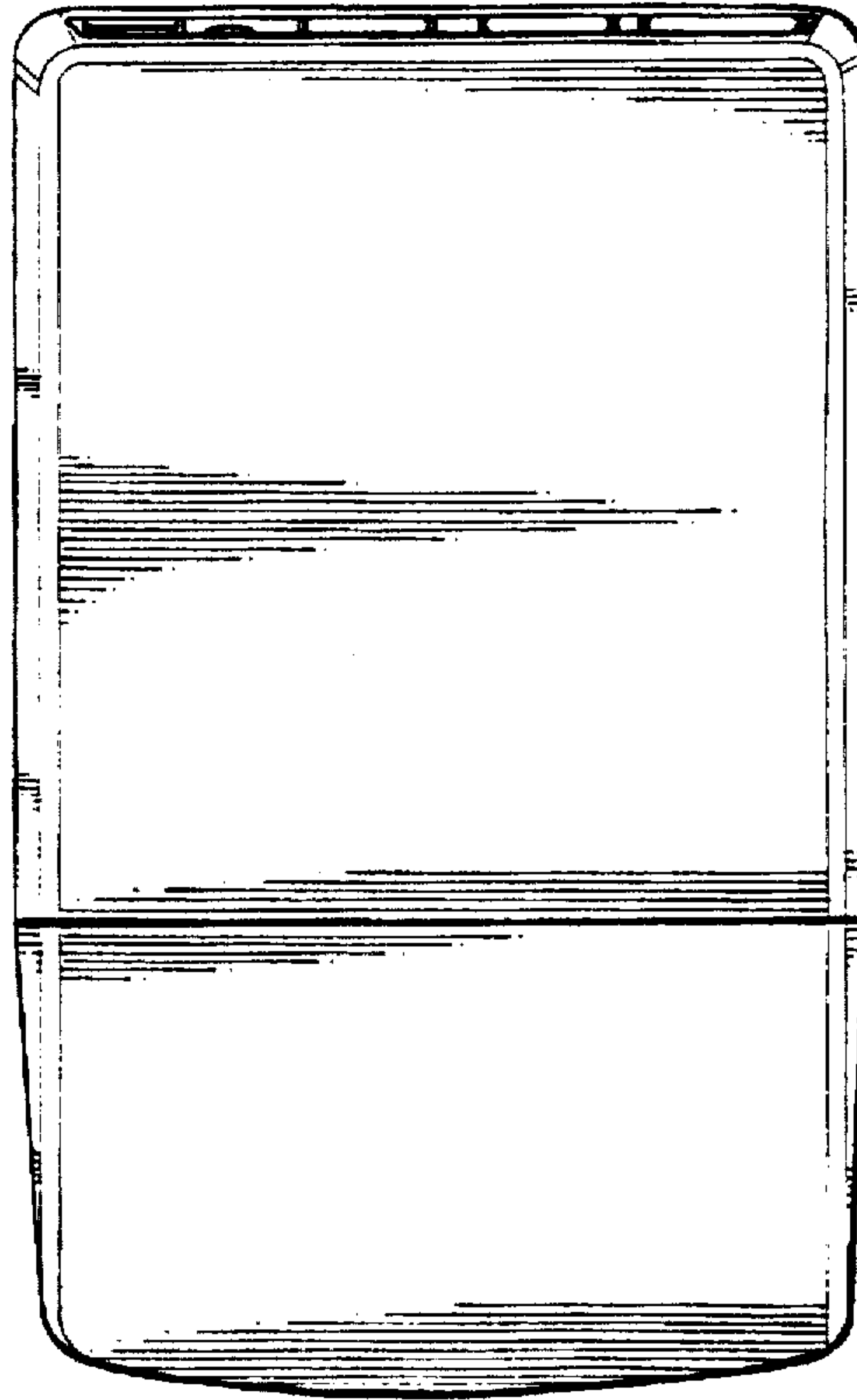


FIG. 6