



US00D390856S

# United States Patent [19] Imahashi

[11] Patent Number: **Des. 390,856**  
[45] Date of Patent: **\*\*Feb. 17, 1998**

[54] **DOT SIGHT FOR A RANGE FINDER**

[76] Inventor: **Nobuki Imahashi**, 21-2, Kanamachi  
3-chome, Katsushika-ku, Tokyo, Japan

[\*\*] Term: **14 Years**

[21] Appl. No.: **64,891**

[22] Filed: **Jan. 13, 1997**

[30] **Foreign Application Priority Data**

Sep. 3, 1996 [JP] Japan ..... 8-26280

[51] LOC (6) Cl. .... **16-06**

[52] U.S. Cl. .... **D16/130**

[58] Field of Search ..... D16/130, 132;  
359/399, 422, 428, 400, 801, 802, 803,  
804, 808, 809, 810, 811, 815, 816, 818

[56] **References Cited**

**U.S. PATENT DOCUMENTS**

- D. 197,069 12/1963 Maguire ..... D16/132
- D. 225,458 12/1972 Heym et al. .... D16/132
- D. 233,169 10/1974 Thompson et al. .... D16/132
- D. 306,740 3/1990 Nichols et al. .... D16/130 X
- D. 329,079 9/1992 Sanders ..... D16/132 X
- 3,121,134 2/1964 Heinzl ..... 359/422
- 3,362,074 1/1968 Luebke et al. .... 359/428 X

- 3,492,733 2/1970 Leatherwood ..... 359/422 X
- 3,782,822 1/1974 Spence ..... 359/422 X
- 5,035,487 7/1991 Herr ..... 359/811 X
- 5,621,566 4/1997 Müller ..... 359/803 X

**OTHER PUBLICATIONS**

Gander Mountain Fall/Winter 1987 (Middle G) p. 103.

*Primary Examiner*—Paula A. Mortimer  
*Attorney, Agent, or Firm*—Keil & Weinkauff

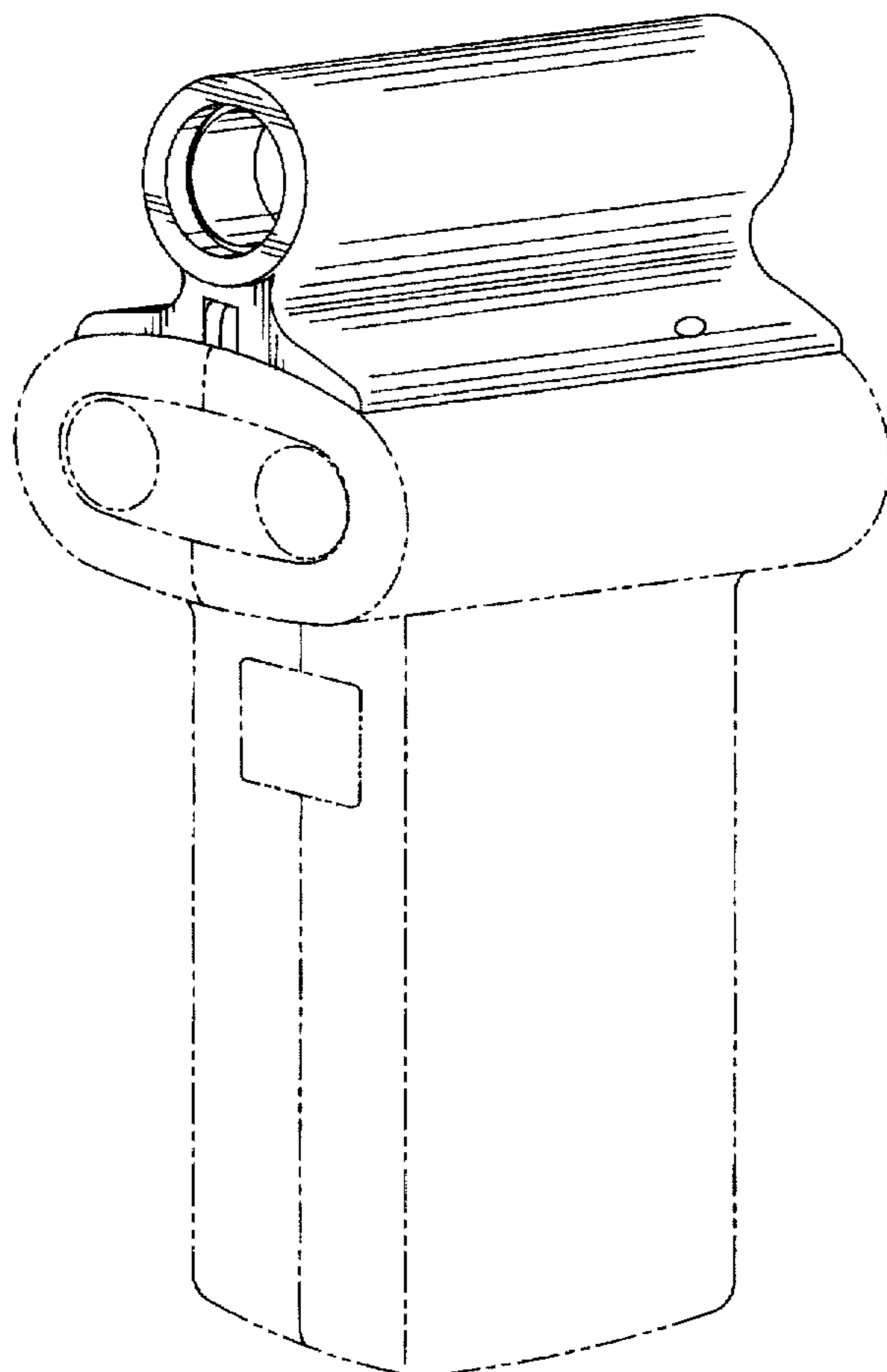
[57] **CLAIM**

The ornamental design for a dot sight for a range finder, as shown and described.

**DESCRIPTION**

FIG. 1 is a front elevational view of a dot sight for a range finder showing my new design;  
 FIG. 2 is a top plan view thereof;  
 FIG. 3 is a rear elevational view thereof;  
 FIG. 4 is a bottom plan view thereof;  
 FIG. 5 is a right side elevational view thereof, the left side is a mirror image; and,  
 FIG. 6 is a perspective view thereof, the broken line showing of the range finder is for illustrative purposes only and forms no part of the claimed design.

**1 Claim, 4 Drawing Sheets**



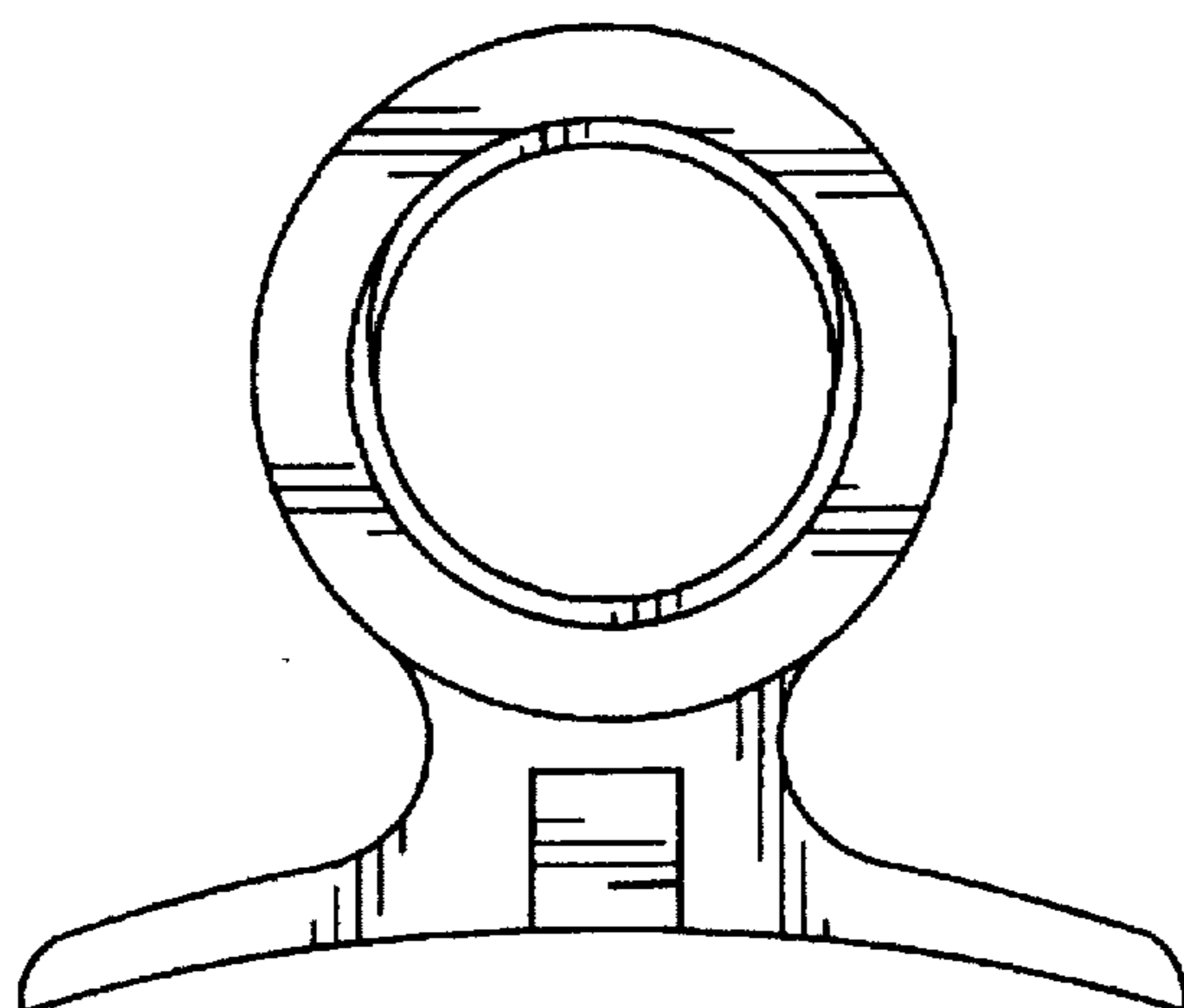


FIG. 1

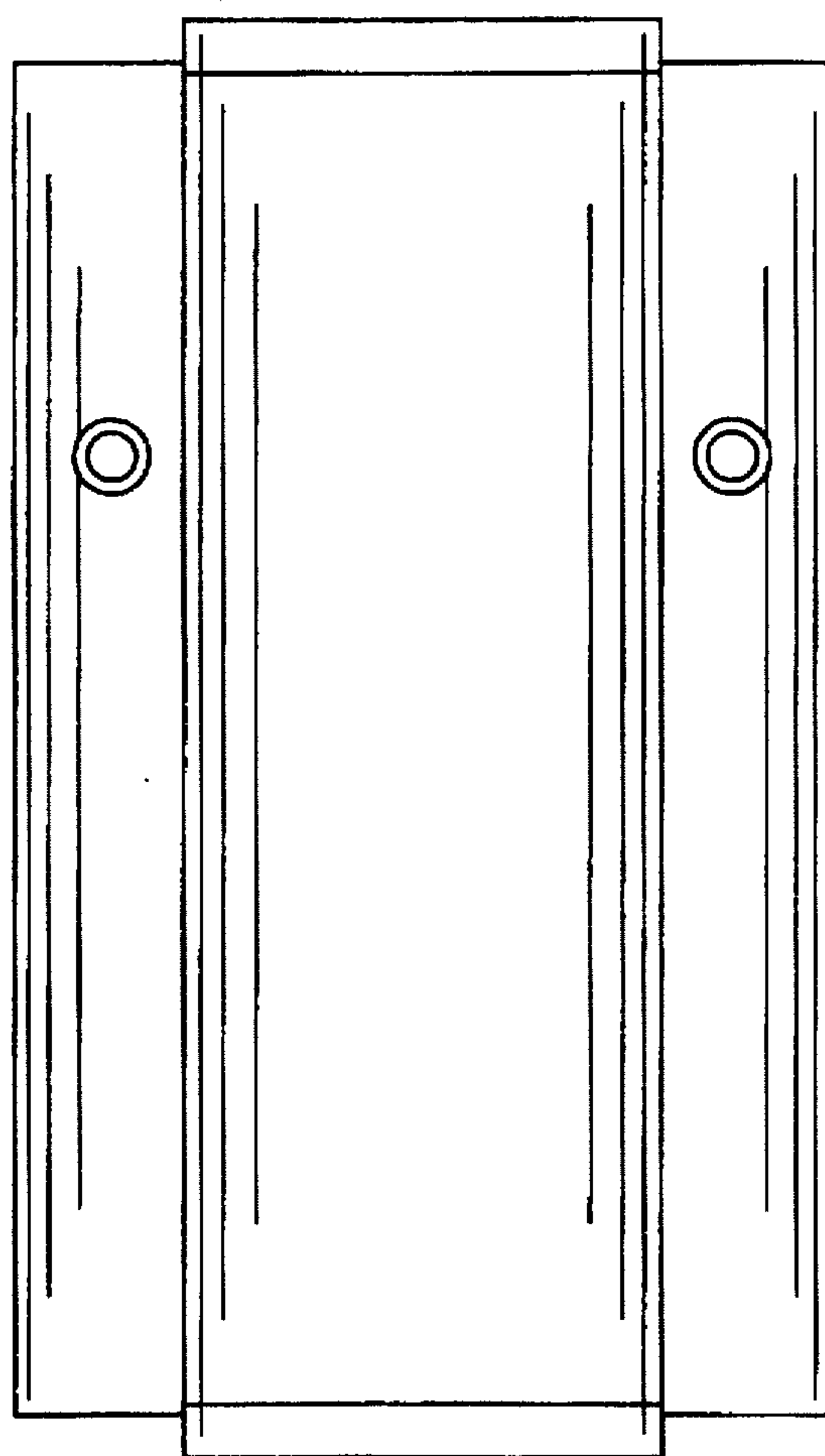


FIG. 2

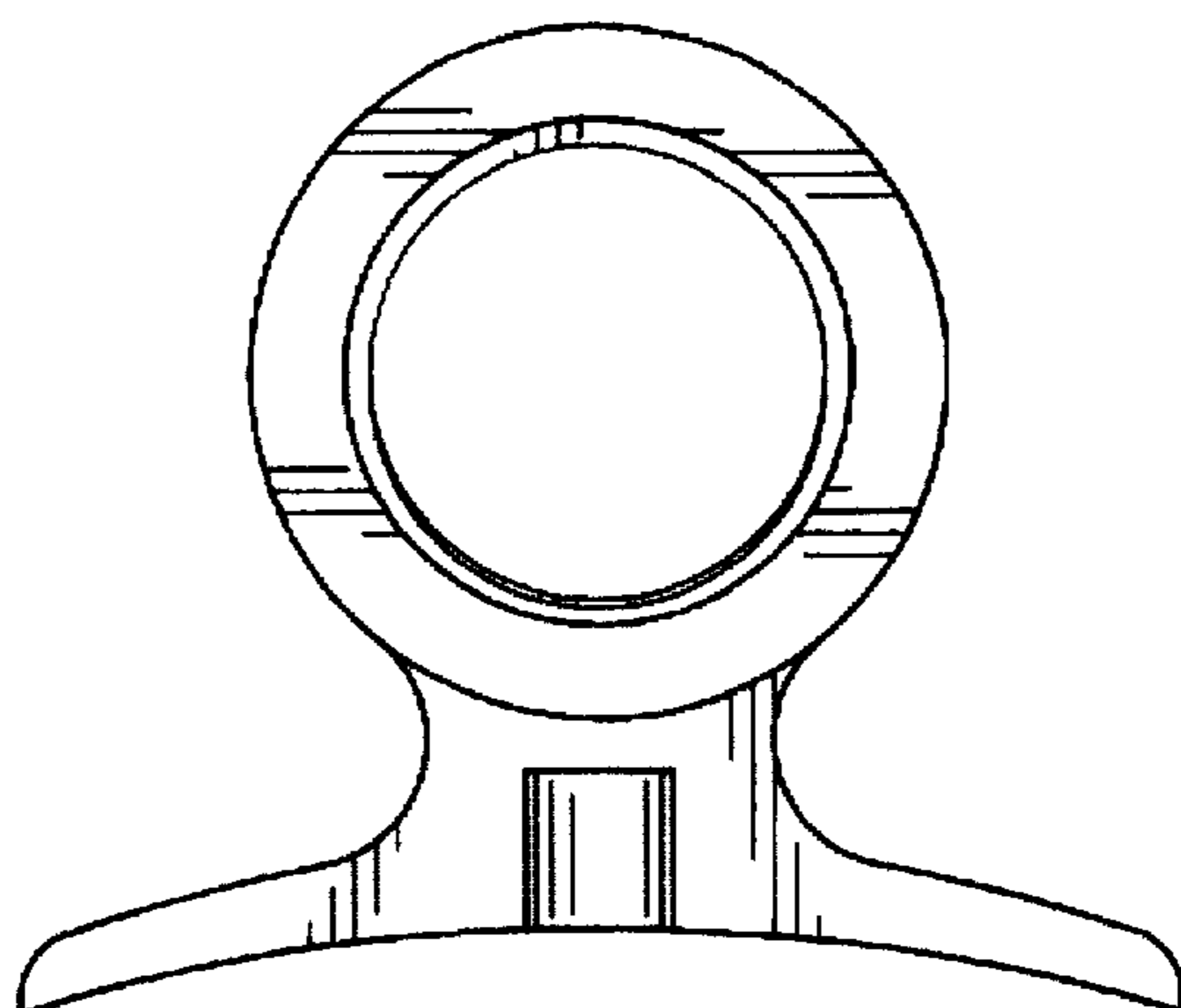


FIG. 3

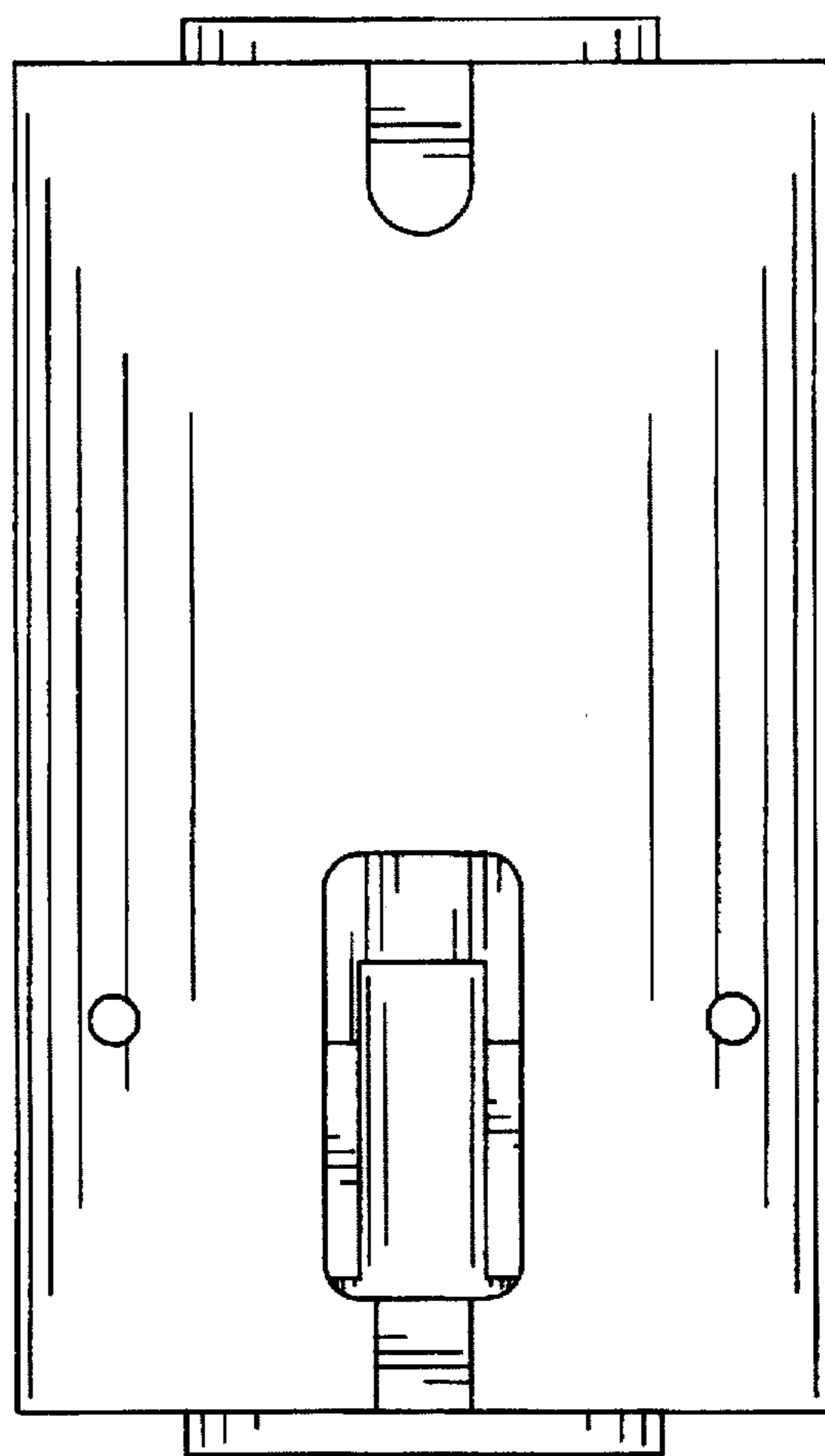


FIG. 4

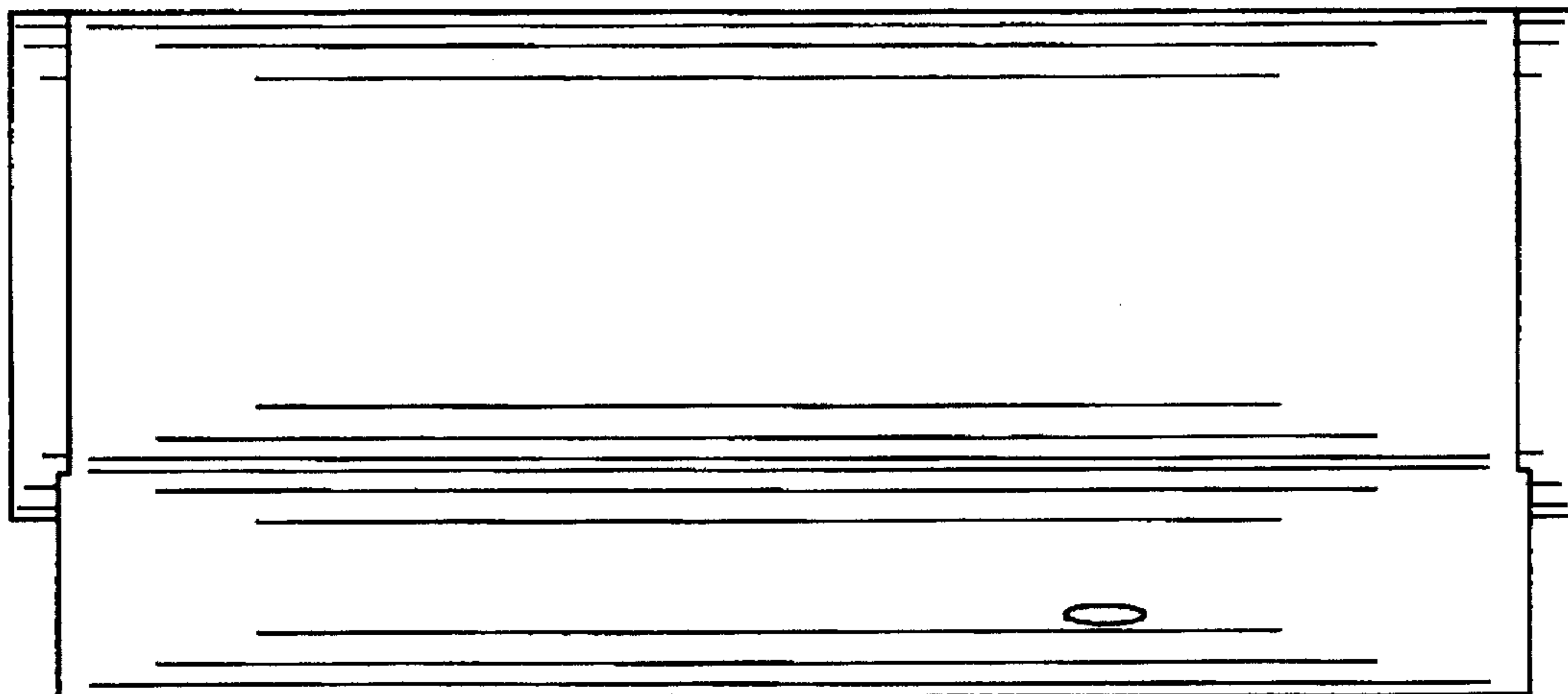


FIG. 5

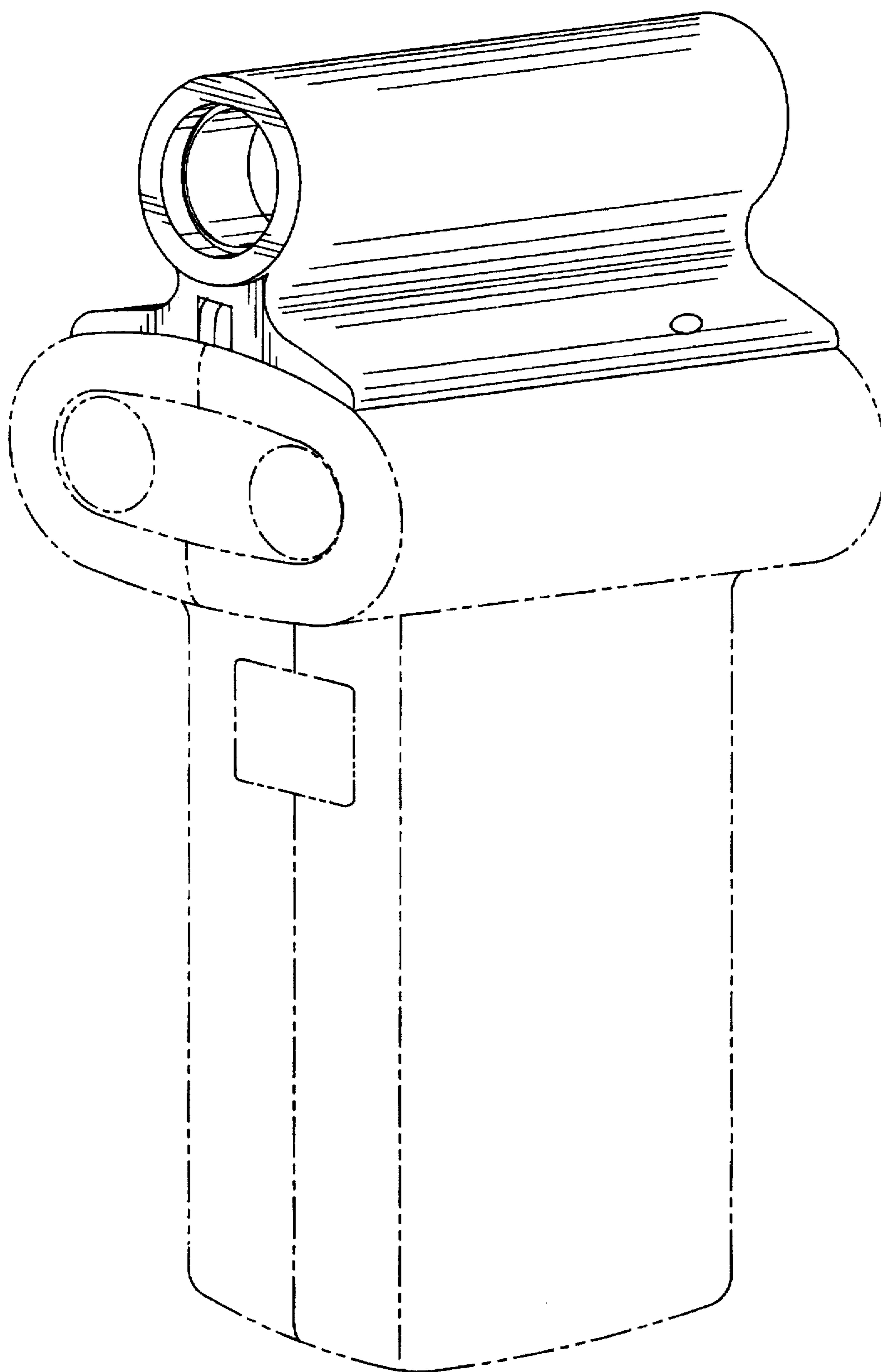


FIG. 6