

US00D390855S

# United States Patent [19]

[11] Patent Number: **Des. 390,855**

**Benson**

[45] Date of Patent: **\*\*Feb. 17, 1998**

[54] **BEARING CARRIER**

*Attorney, Agent, or Firm*—M. Reid Russell

[76] Inventor: **Steven R. Benson**, 5919 S. 350 West,  
P.O. Box 57547, Murray, Utah 84157

[57] **CLAIM**

[\*\*] Term: **14 Years**

The ornamental design for a bearing carrier, as shown and described.

[21] Appl. No.: **61,893**

### DESCRIPTION

[22] Filed: **Nov. 1, 1996**

FIG. 1 is a perspective view taken from the top and side of a bearing carrier showing my new design;

[51] LOC (6) Cl. .... **08-04**

FIG. 2 is a perspective view taken from the bottom and side thereof;

[52] U.S. Cl. .... **D15/143**

FIG. 3 is a top plan view thereof;

[58] Field of Search ..... D15/143; D8/354;  
192/98, 110 B, 995, 111.4; 384/425, 589,  
536, 617, 398

FIG. 4 is a bottom plan view thereof;

FIG. 5 is a right side elevation view showing 90° of arc thereof;

[56] **References Cited**

FIG. 6 is a forward elevation view showing 90° of arc thereof;

#### U.S. PATENT DOCUMENTS

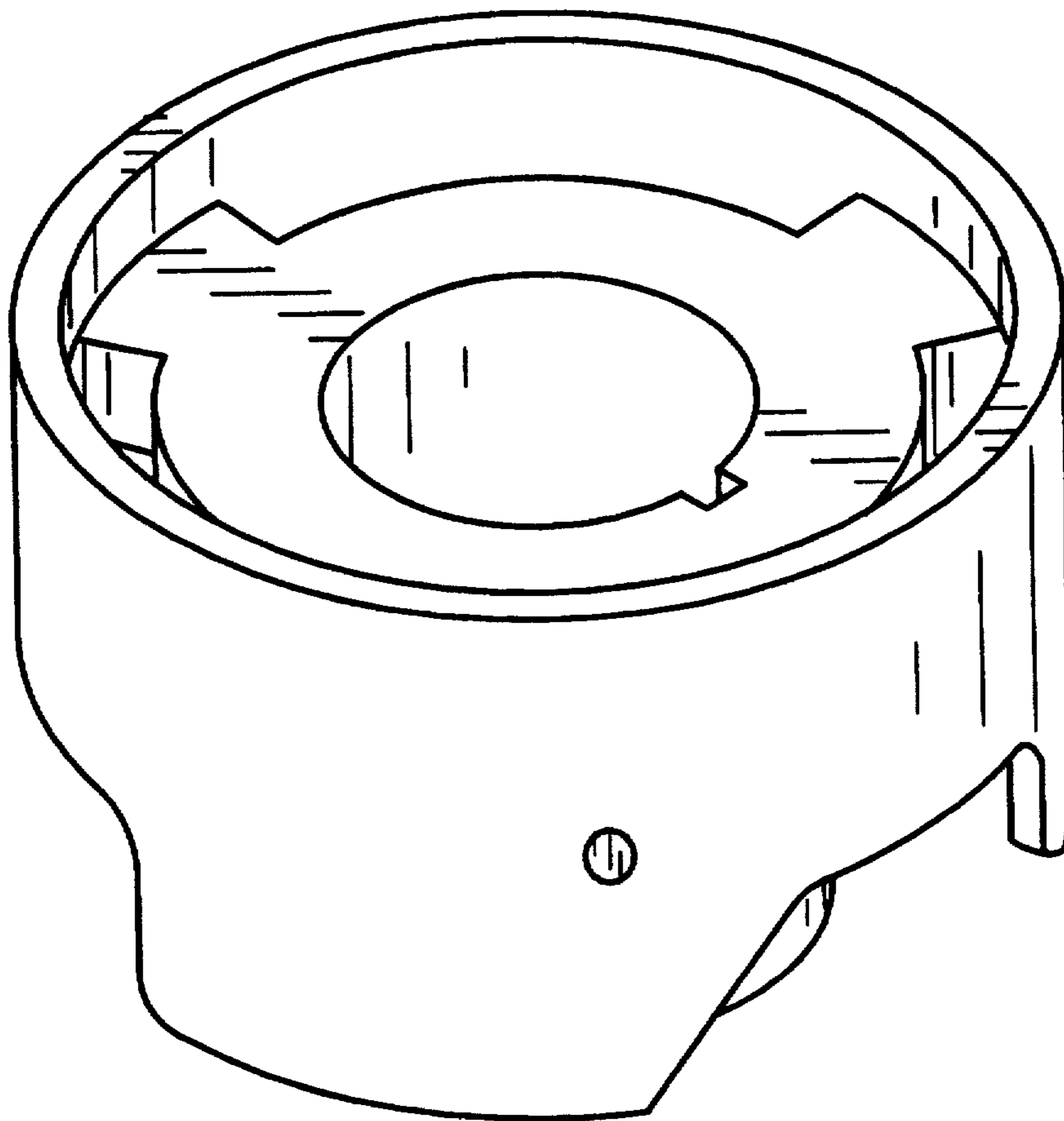
FIG. 7 is a left side elevation view showing 90° of arc thereof; and,

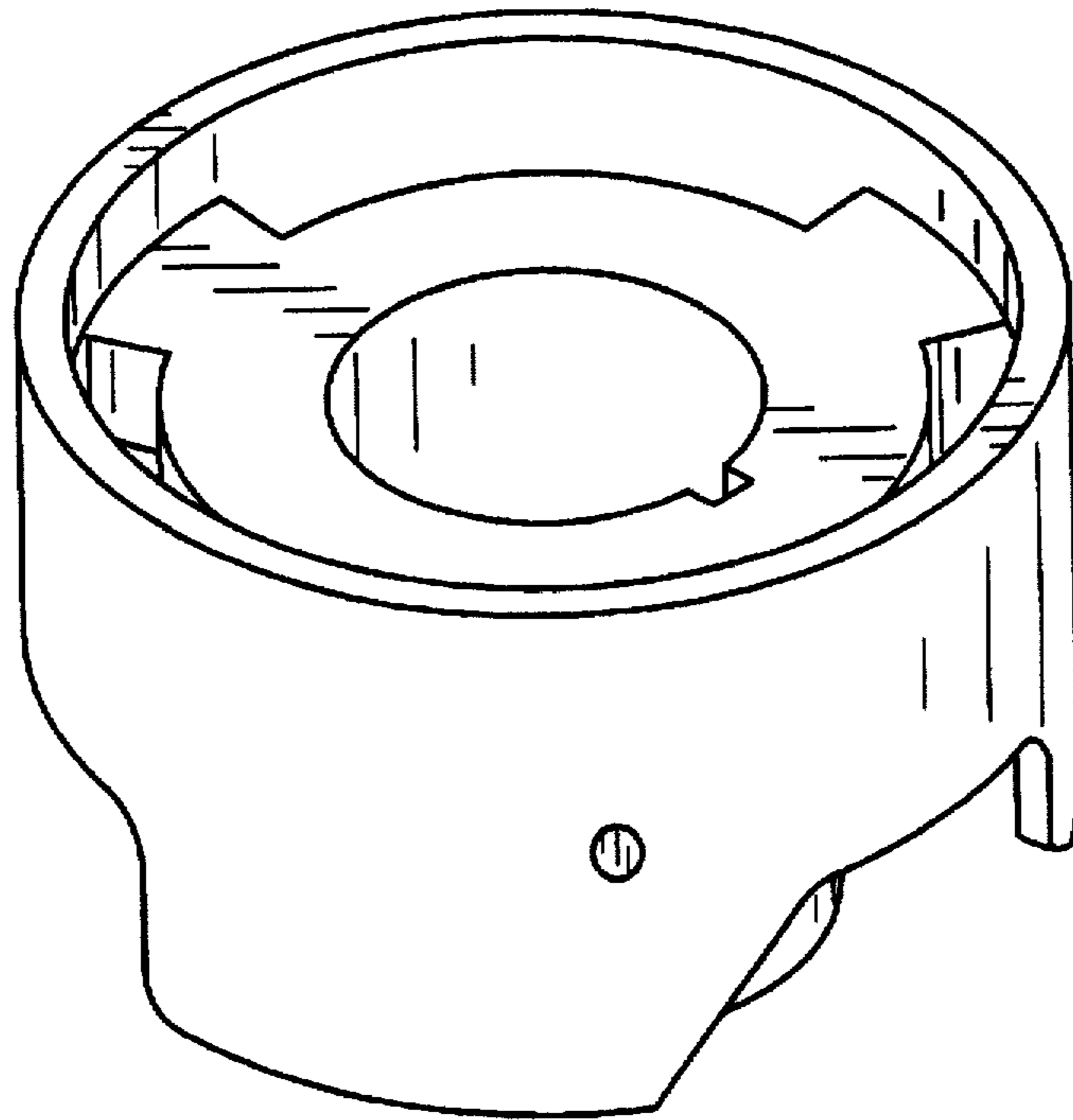
D. 379,999 6/1997 Benson ..... D15/143  
D. 380,959 7/1997 Mitchell ..... D15/143

FIG. 8 is a rear elevation view showing 90° of arc thereof.

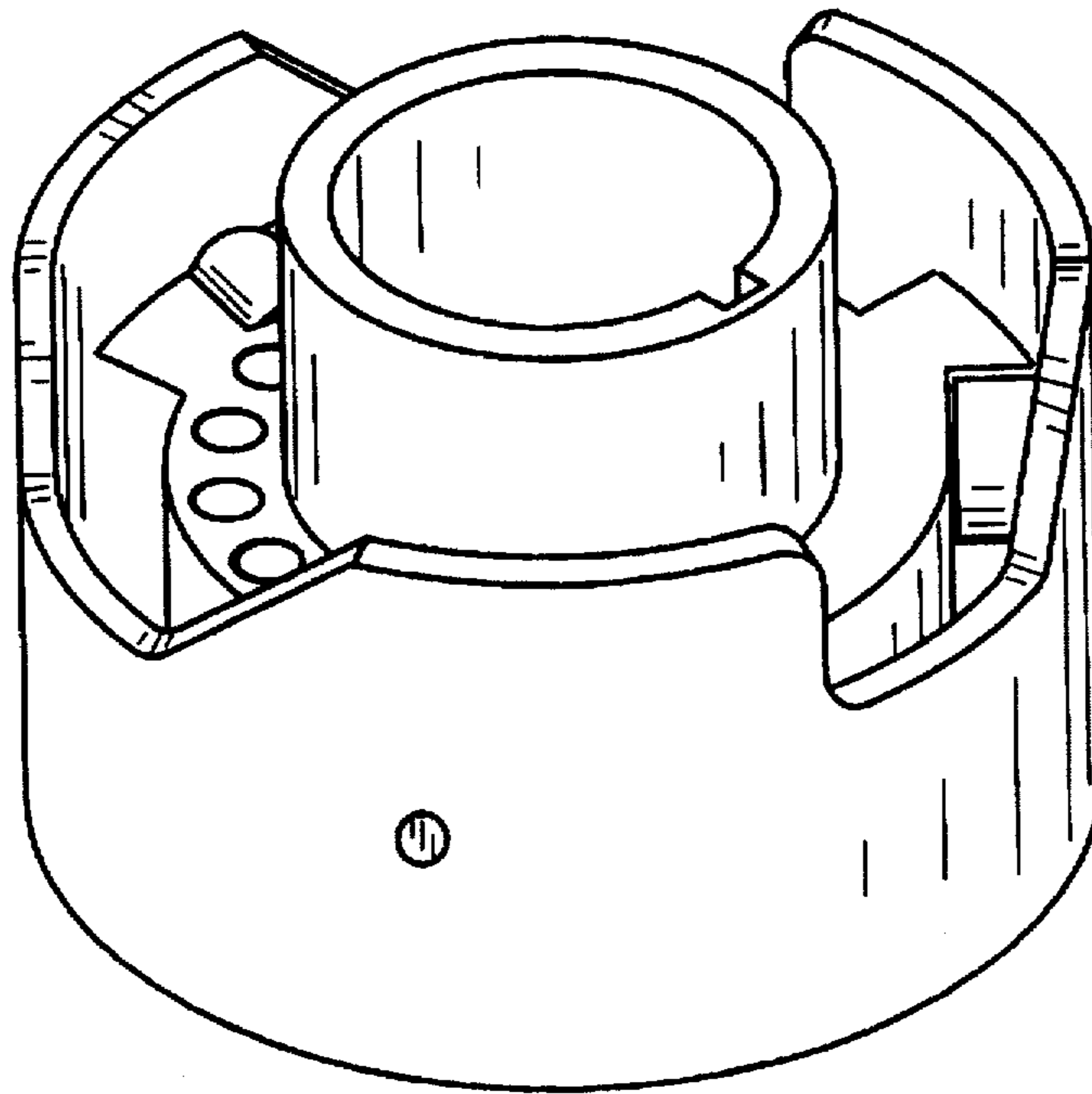
*Primary Examiner*—Antoine Duval Davis

**1 Claim, 4 Drawing Sheets**

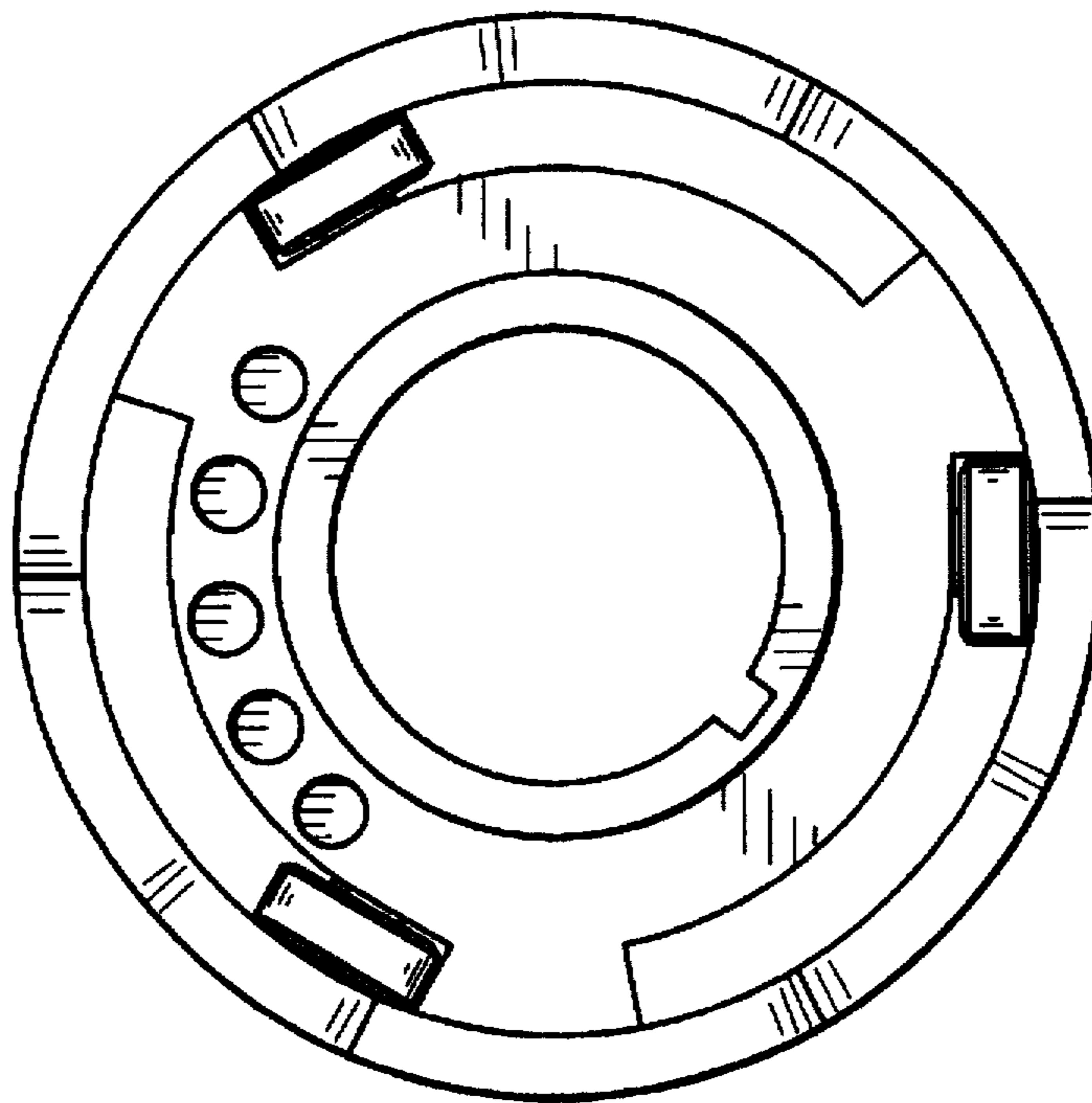




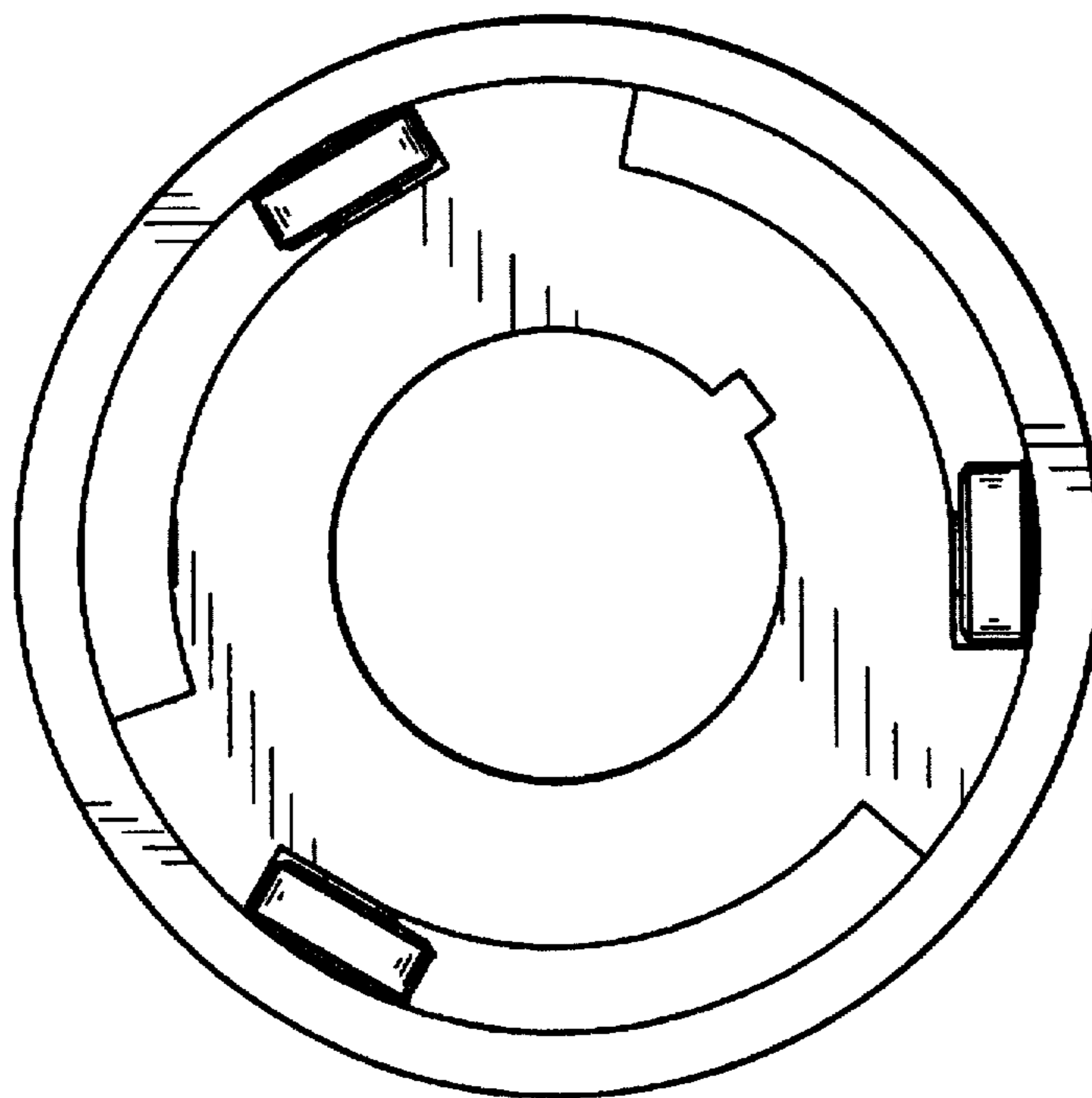
**Fig. 1**



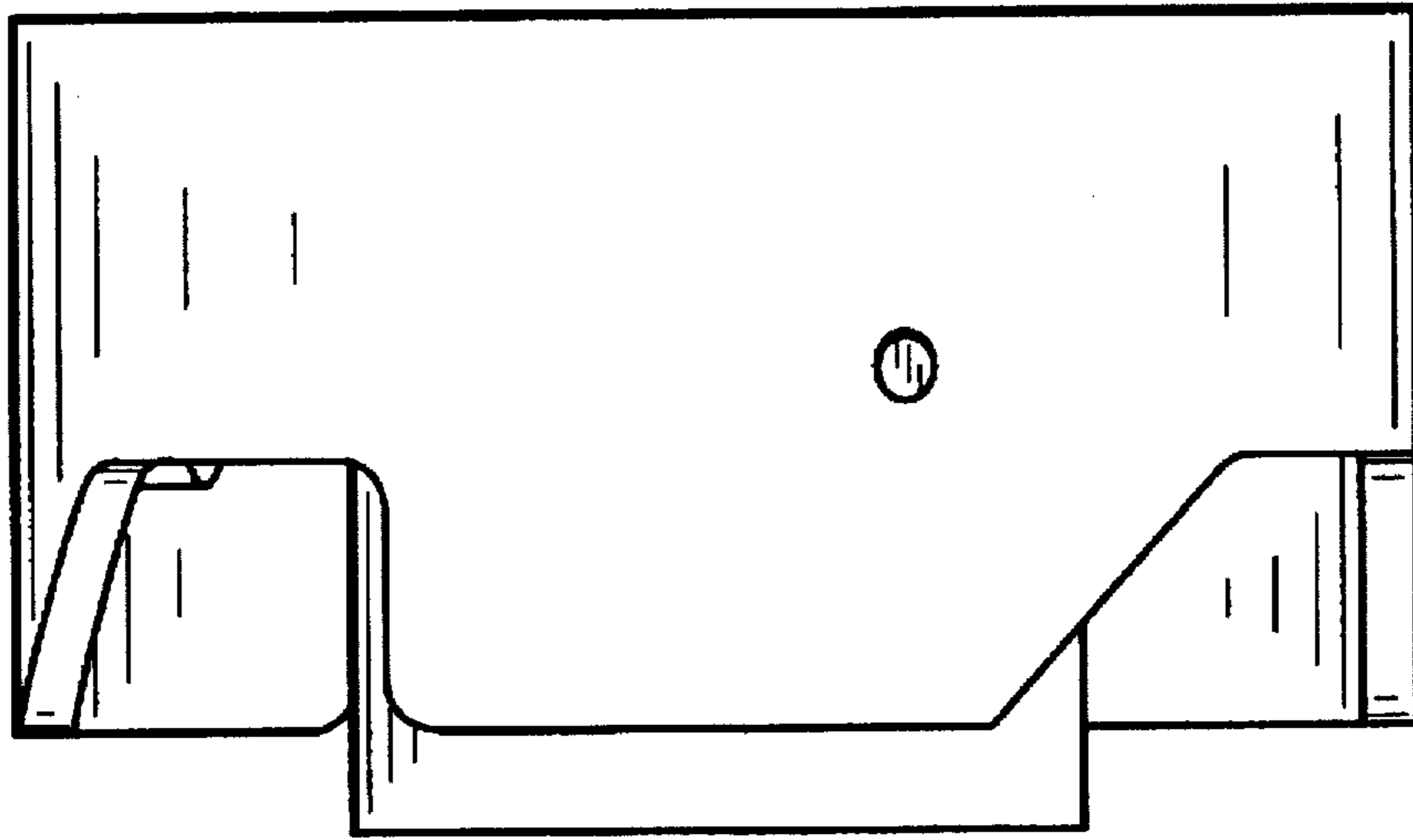
**Fig. 2**



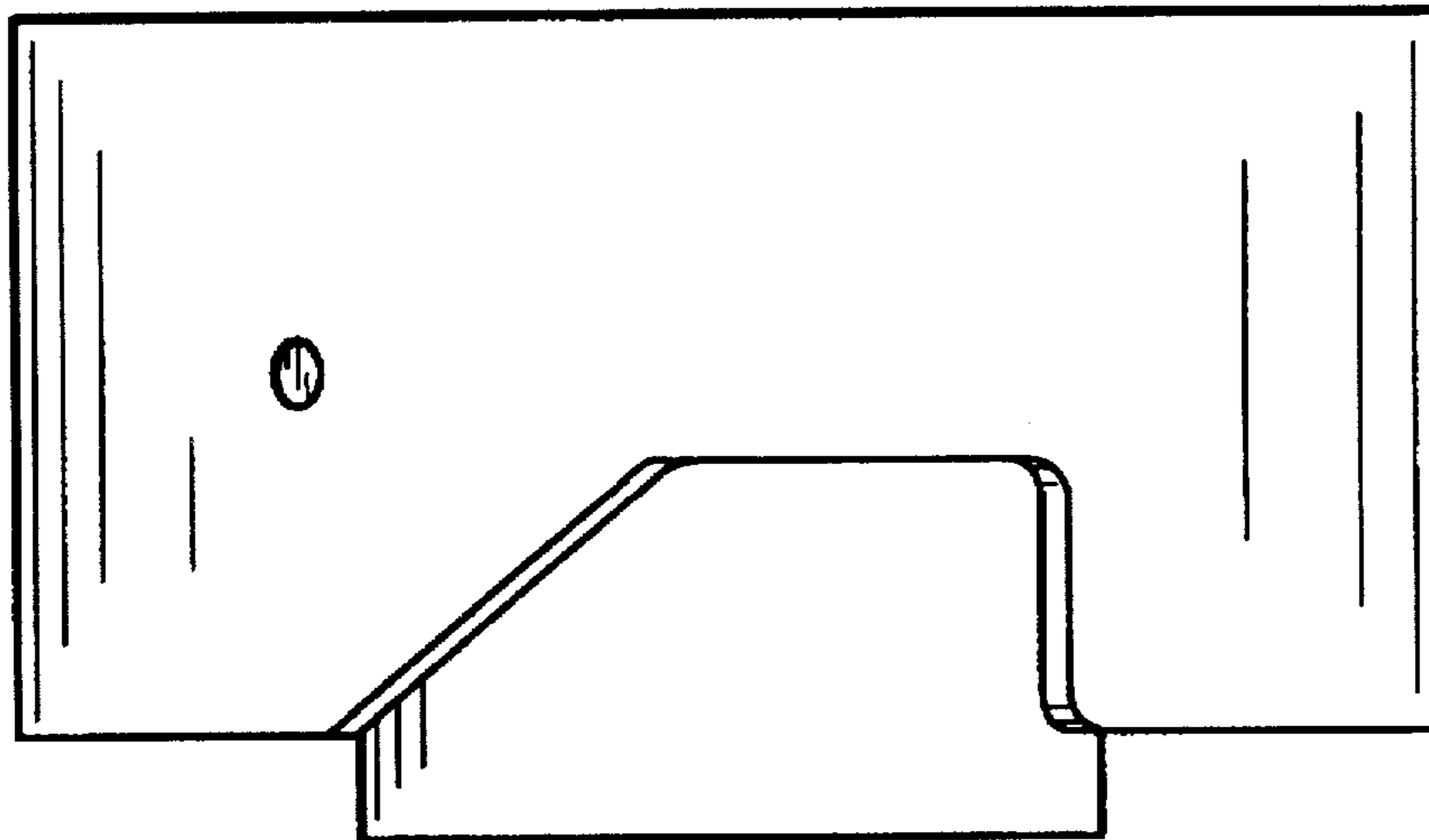
**Fig. 3**



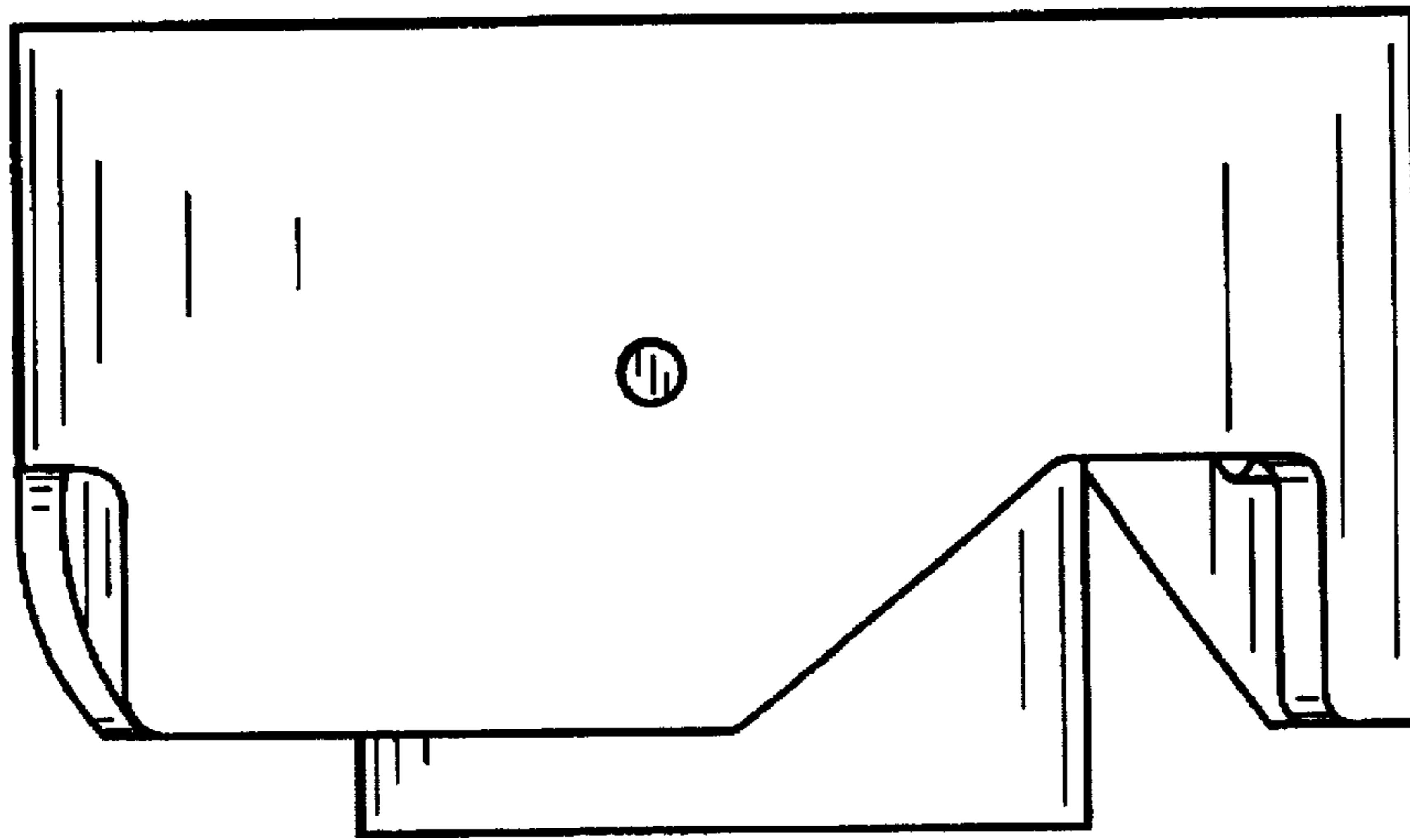
**Fig. 4**



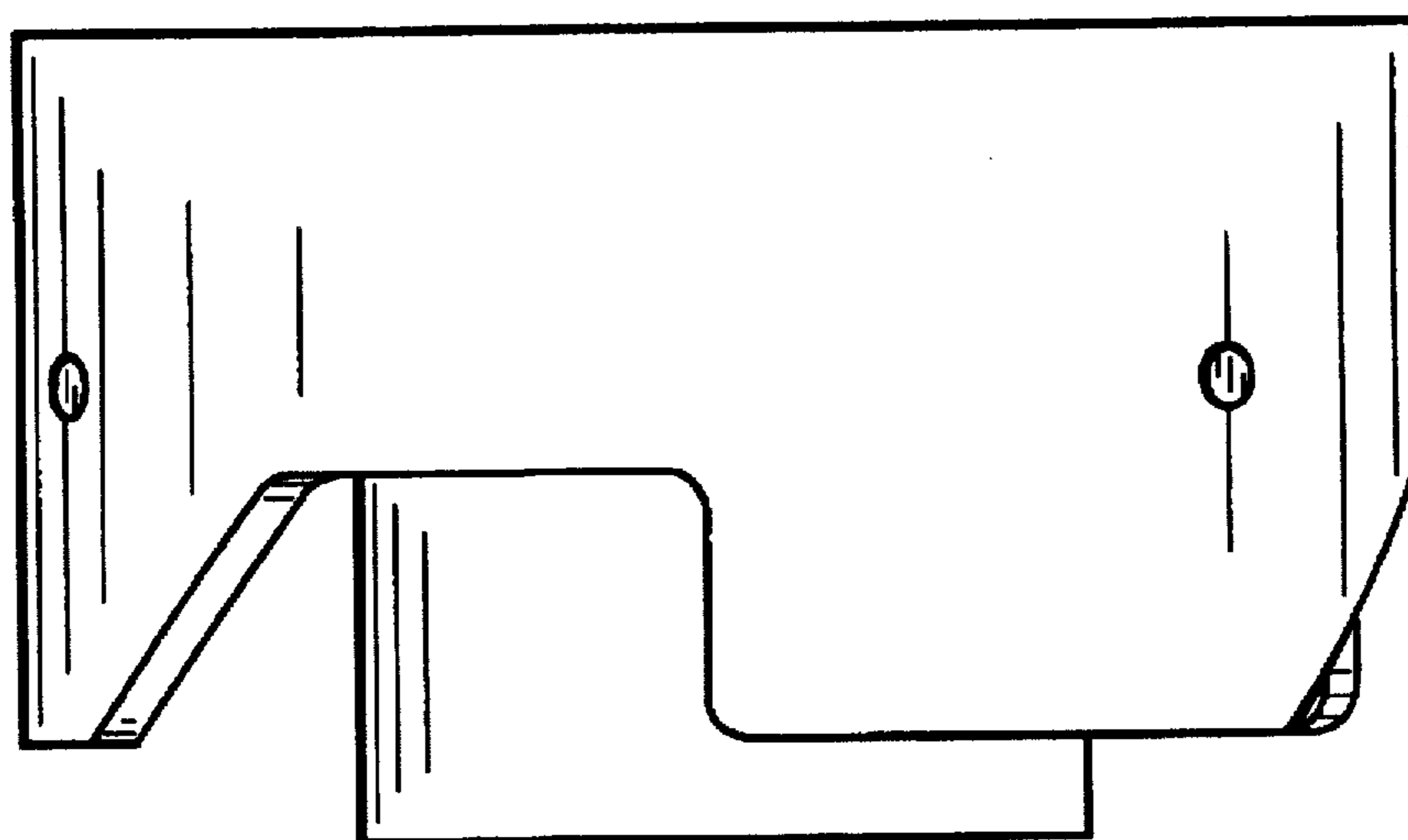
**Fig. 5**



**Fig. 6**



**Fig. 7**



**Fig. 8**