



US00D390854S

United States Patent [19]

[11] Patent Number: Des. 390,854

Satran et al.

[45] Date of Patent: **Feb. 17, 1998

[54] CUTTING INSERT

[75] Inventors: Amir Satran, Kfar Vradim; Vladimir Zak, Kiryat Bialik, both of Israel

[73] Assignee: Iscar Ltd., Israel

[**] Term: 14 Years

[21] Appl. No.: 64,915

[22] Filed: Jan. 14, 1997

[30] Foreign Application Priority Data

Jul. 15, 1996 [IL] Israel 26512

[51] LOC (6) CL. 15-09

[52] U.S. Cl. D15/139

[58] Field of Search D15/139; 407/112-119

[56] References Cited

U.S. PATENT DOCUMENTS

D. 377,801	2/1997	Kress et al.	D15/139
3,726,351	4/1973	Williams, Jr.	175/426
4,475,851	10/1984	Hale	D15/139 X
4,971,483	11/1990	Kress et al.	407/114
5,074,720	12/1991	Loqvist et al.	407/114
5,158,402	10/1992	Satran et al.	407/113
5,190,418	3/1993	Nakayama et al.	407/113 X

Primary Examiner—Antoine Duval Davis
Attorney, Agent, or Firm—Pennic & Edmonds LLP

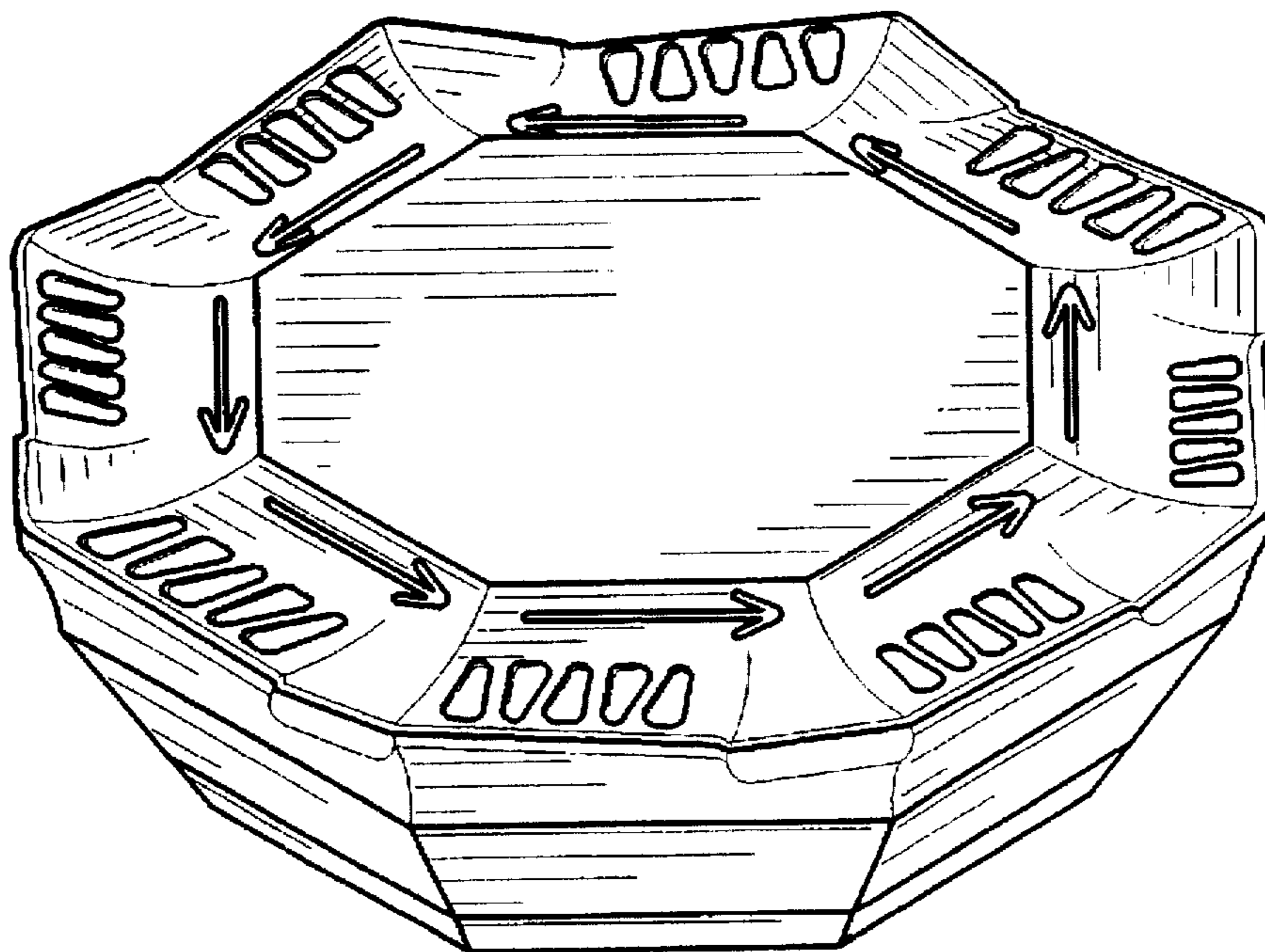
[57] CLAIM

The ornamental design for a cutting insert, as shown and described.

DESCRIPTION

FIG. 1 is an isometric view of a first embodiment of the cutting insert;
 FIG. 2 is a side view of the cutting insert of FIG. 1, the cutting insert having identical side views in front projection, a rear projection, a left side projection and a right side projection;
 FIG. 3 is a top view of the cutting insert of FIG. 1;
 FIG. 4 is a bottom view of the cutting insert of FIG. 1;
 FIG. 5 is an isometric view of a second embodiment of the cutting insert;
 FIG. 6 is a side view of the cutting insert of FIG. 5, the cutting insert having identical side views in front projection, a rear projection, a left side projection and a right side projection;
 FIG. 7 is a top view of the cutting insert of FIG. 5;
 FIG. 8 is a bottom view of the cutting insert of FIG. 5;
 FIG. 9 is an isometric view of a third embodiment of the cutting insert;
 FIG. 10 is a side view of the cutting insert of FIG. 9, the cutting insert having identical side views in front projection, a rear projection, a left side projection and a right side projection;
 FIG. 11 is a top view of the cutting insert of FIG. 9; and,
 FIG. 12 is a bottom view of the cutting insert of FIG. 9.
 The broken line showings are for illustrative purposes only and forms no part of the claimed sign.

1 Claim, 6 Drawing Sheets



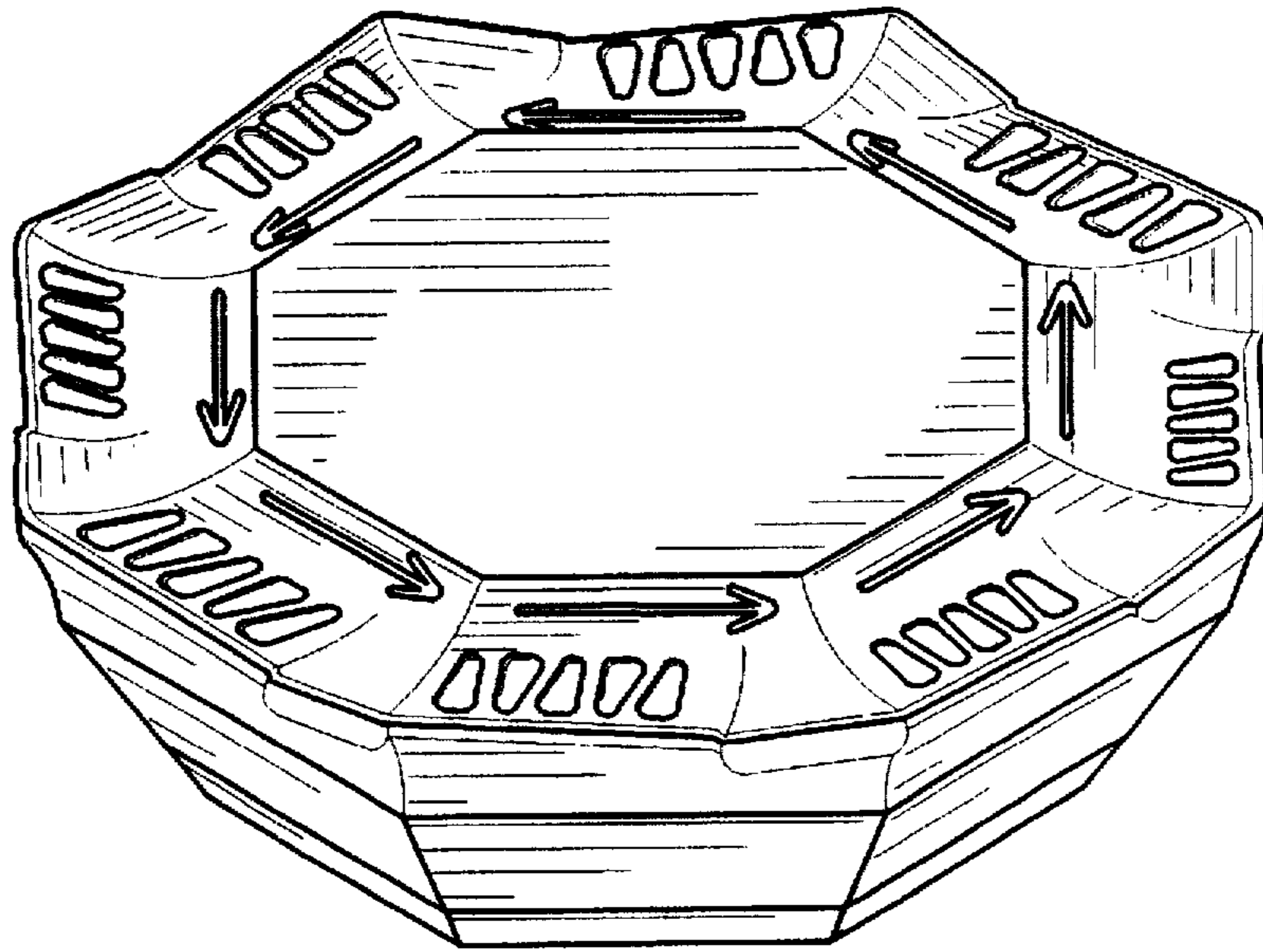


FIG. 1

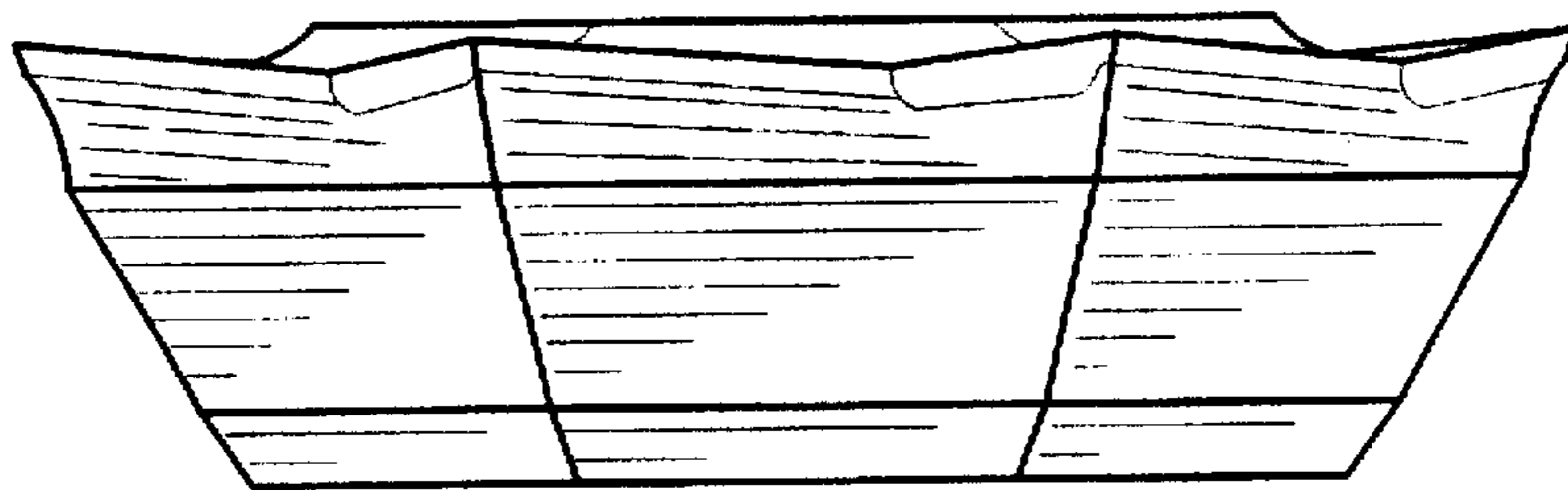


FIG. 2

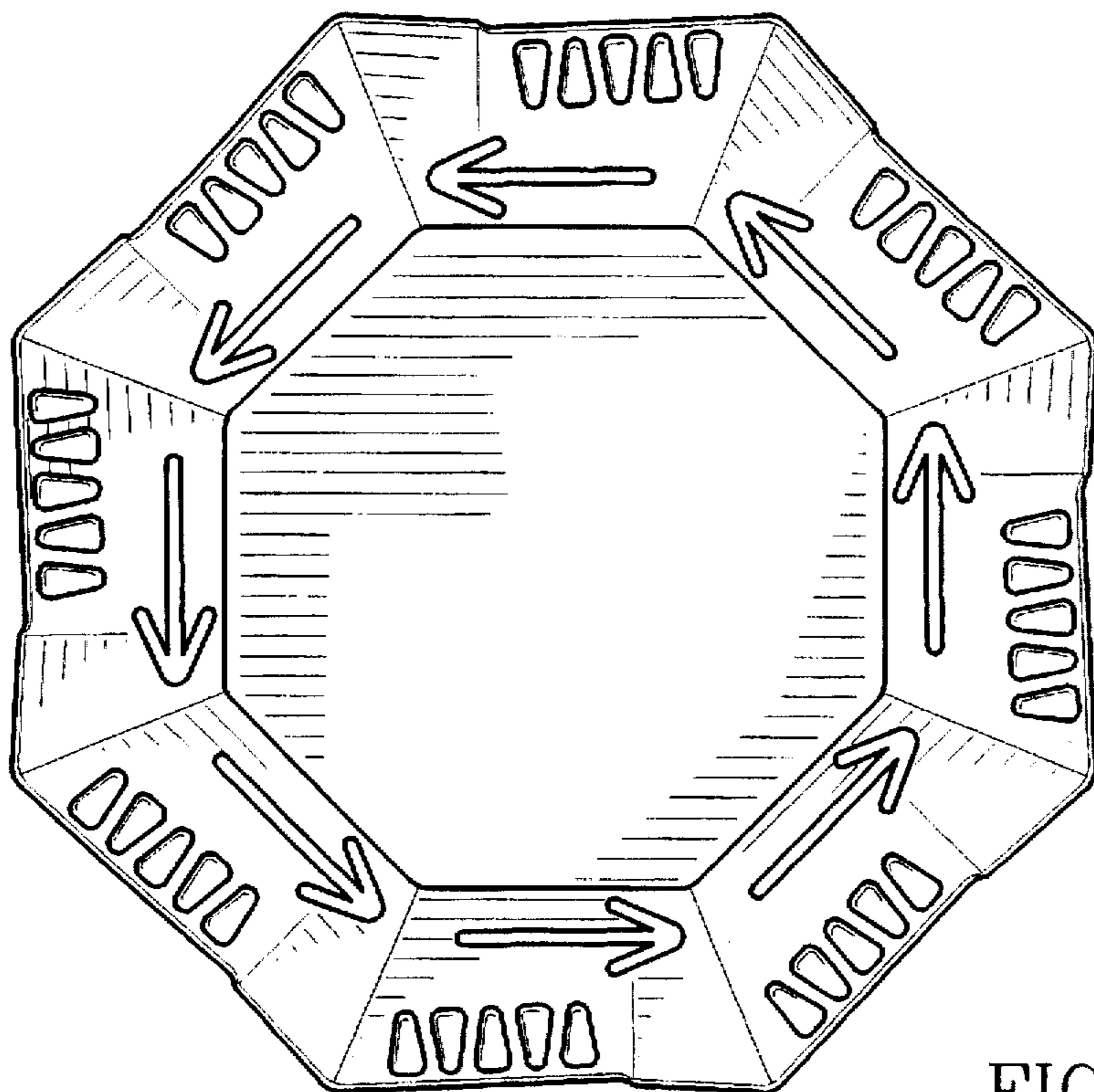


FIG. 3

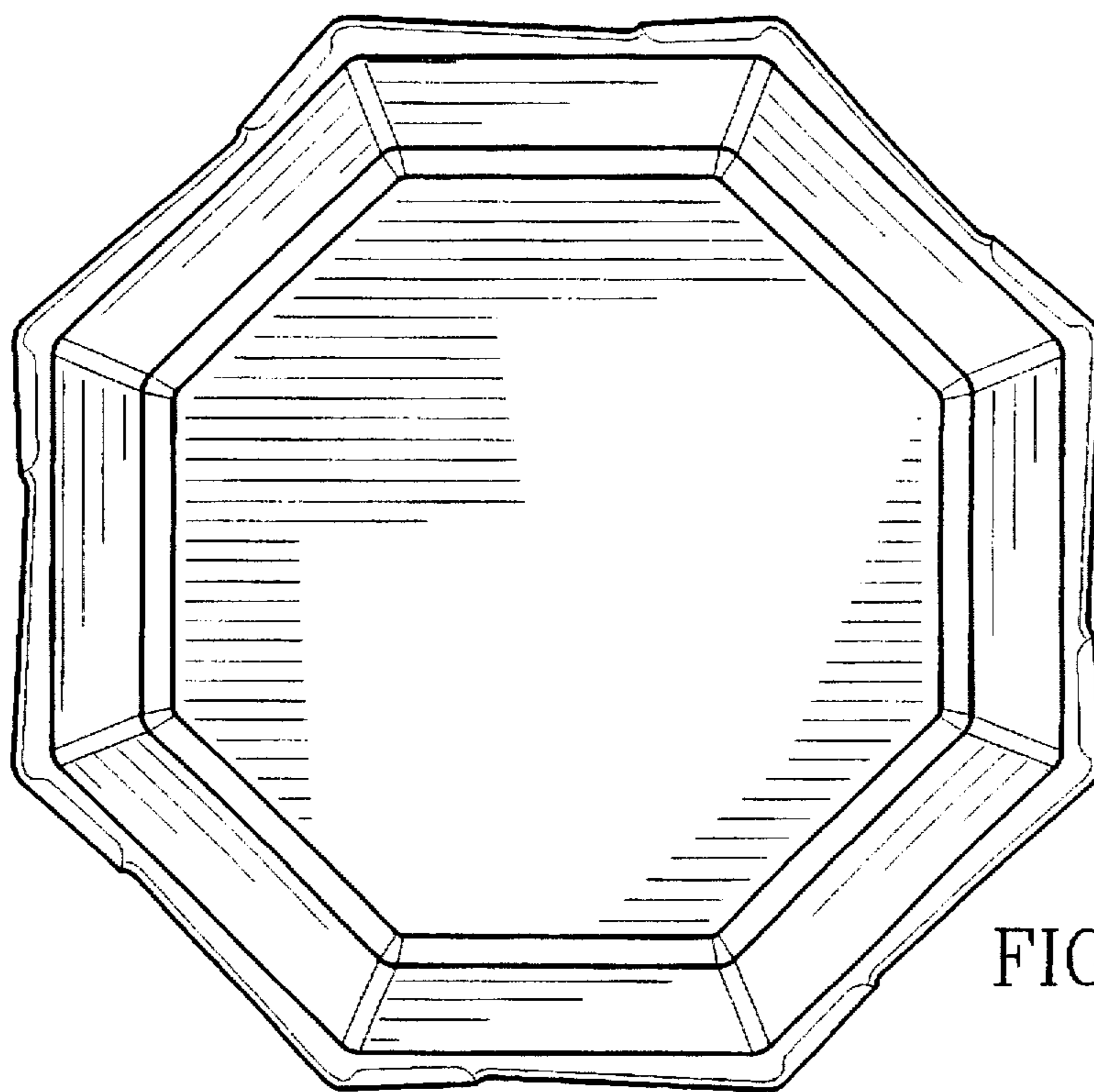


FIG. 4

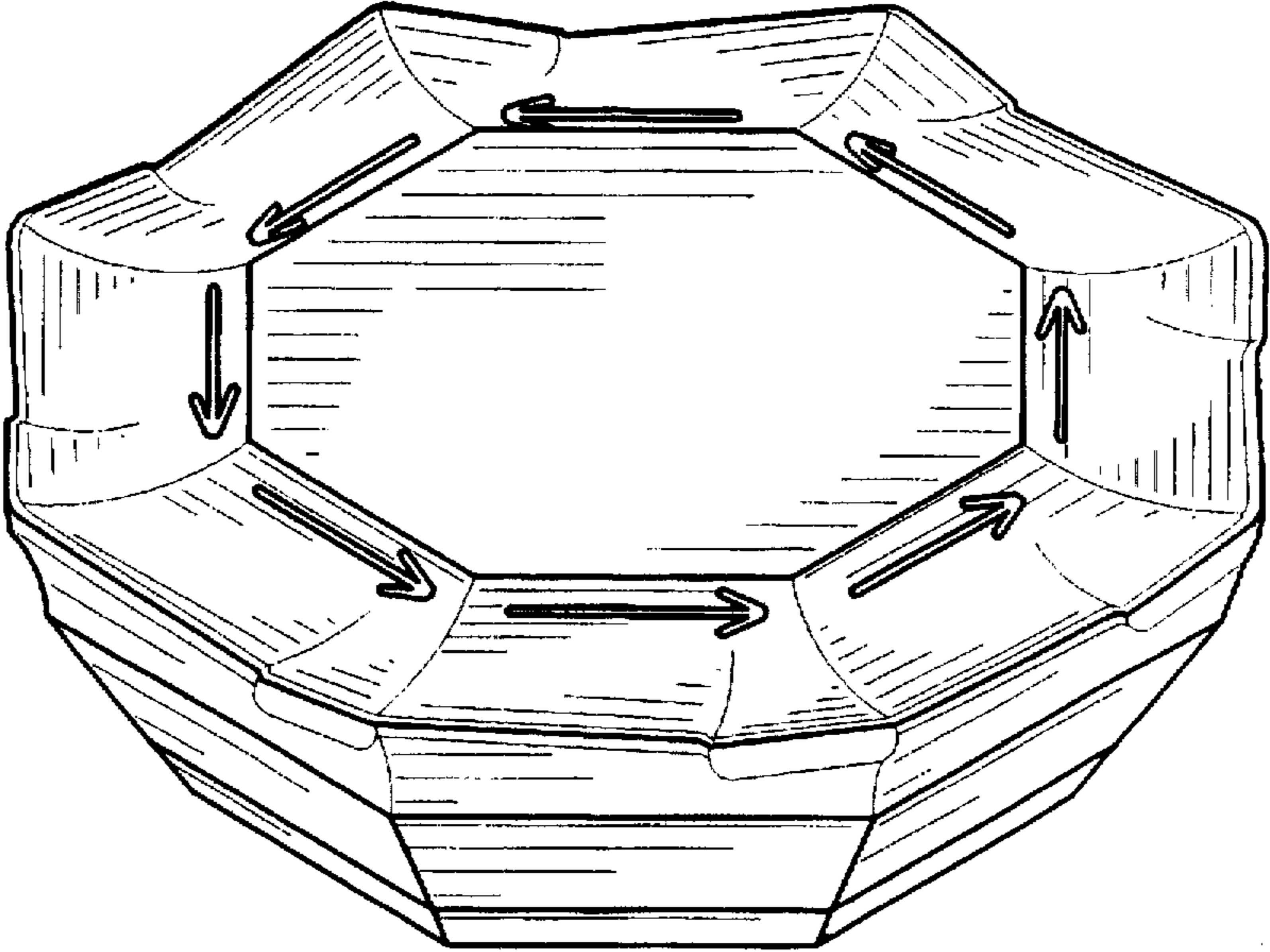


FIG. 5

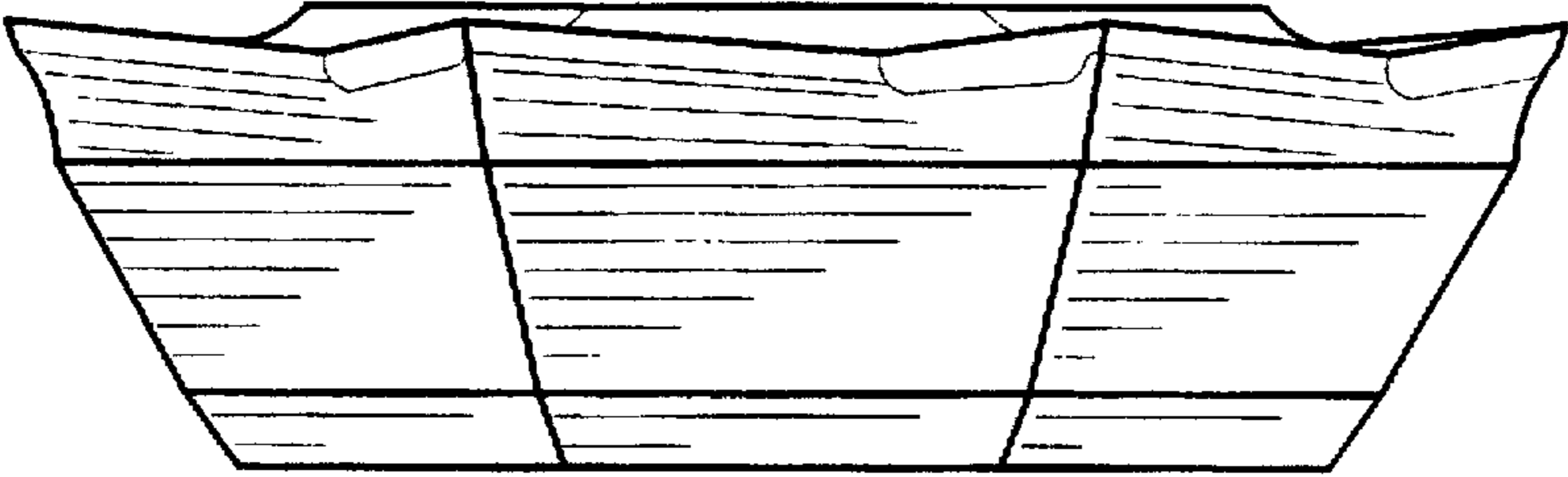


FIG. 6

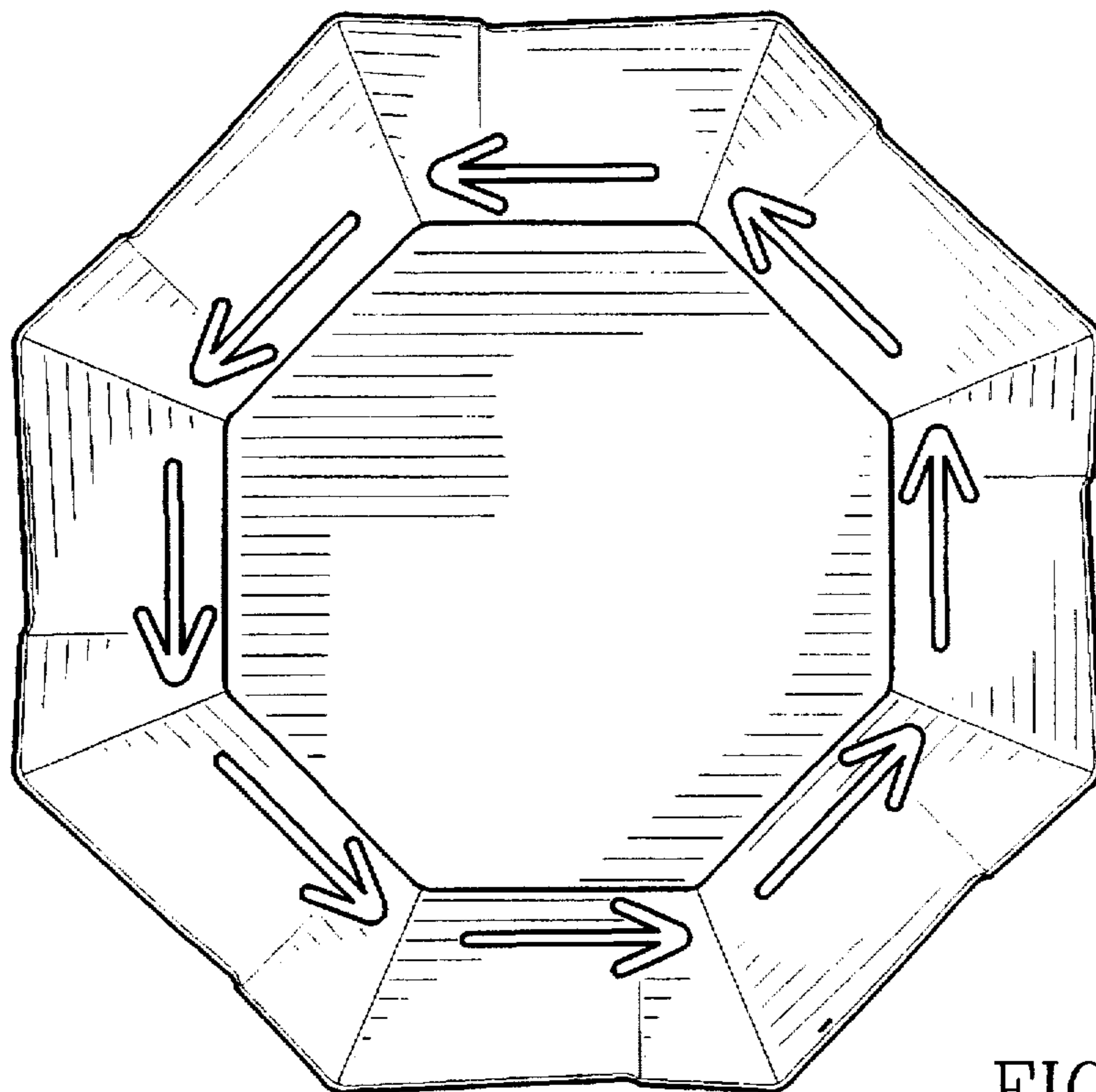


FIG. 7

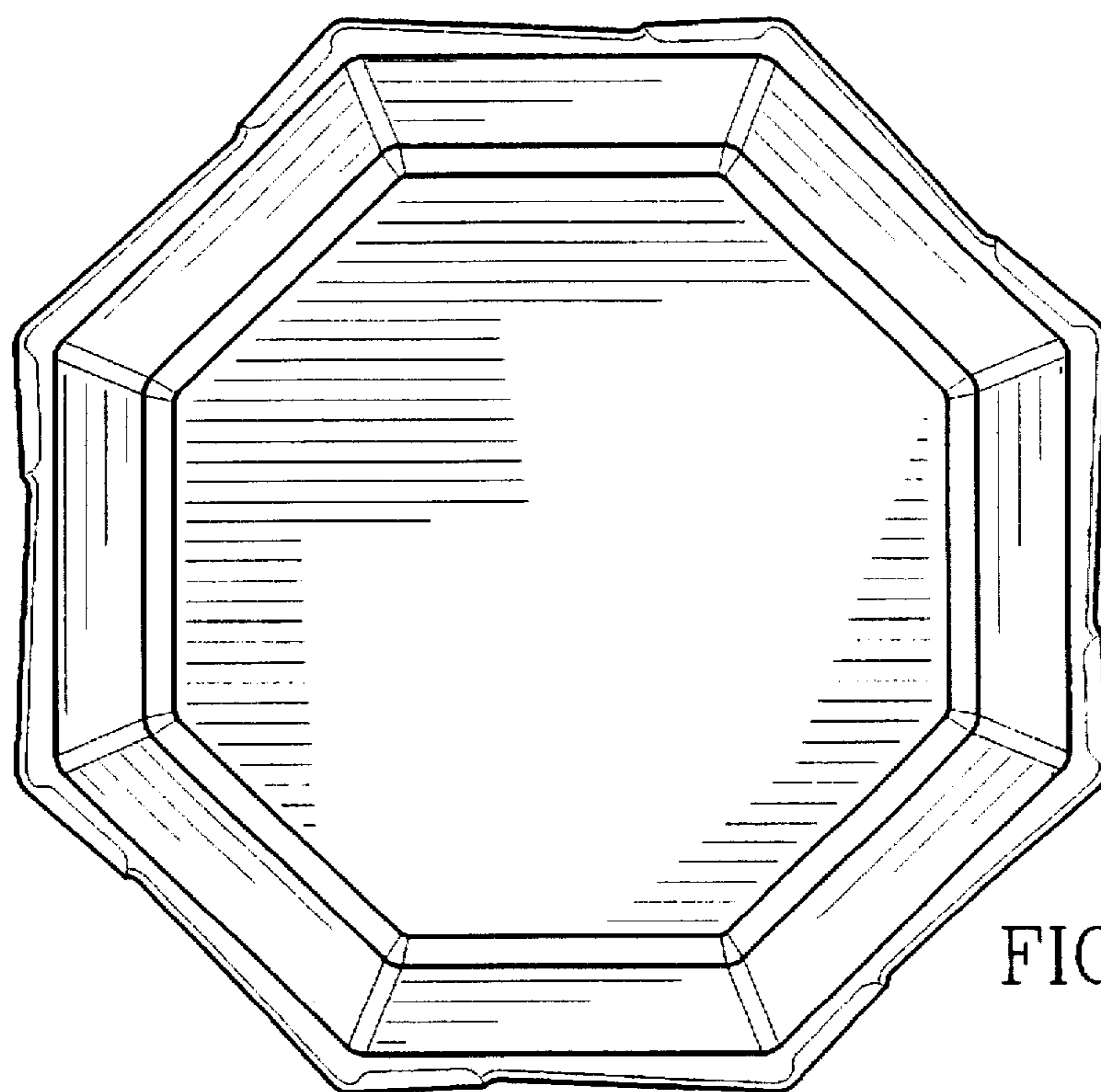


FIG. 8

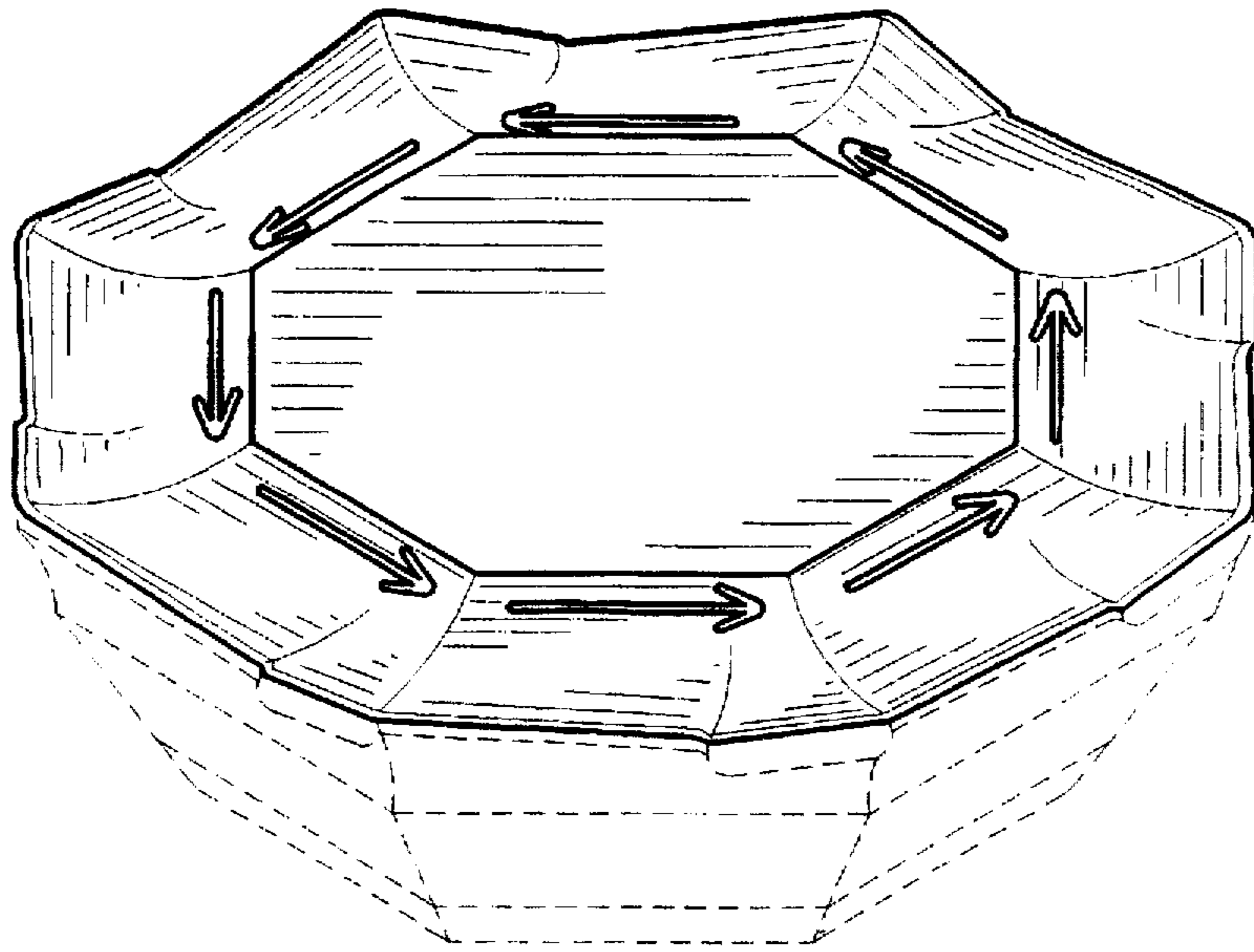


FIG. 9

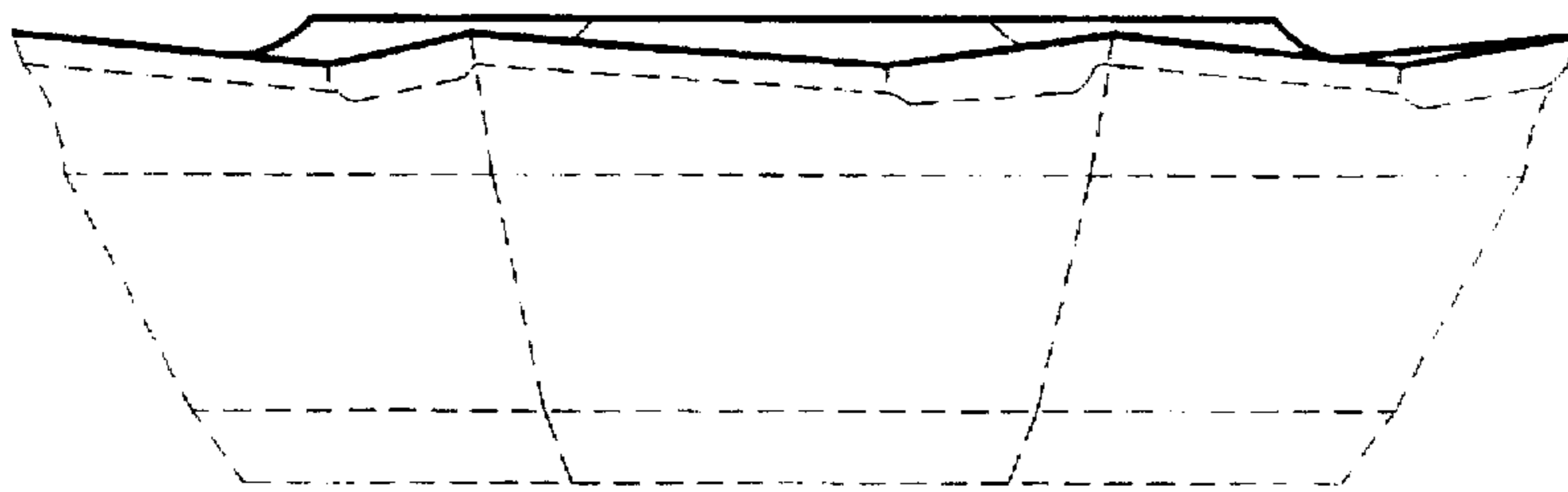


FIG. 10

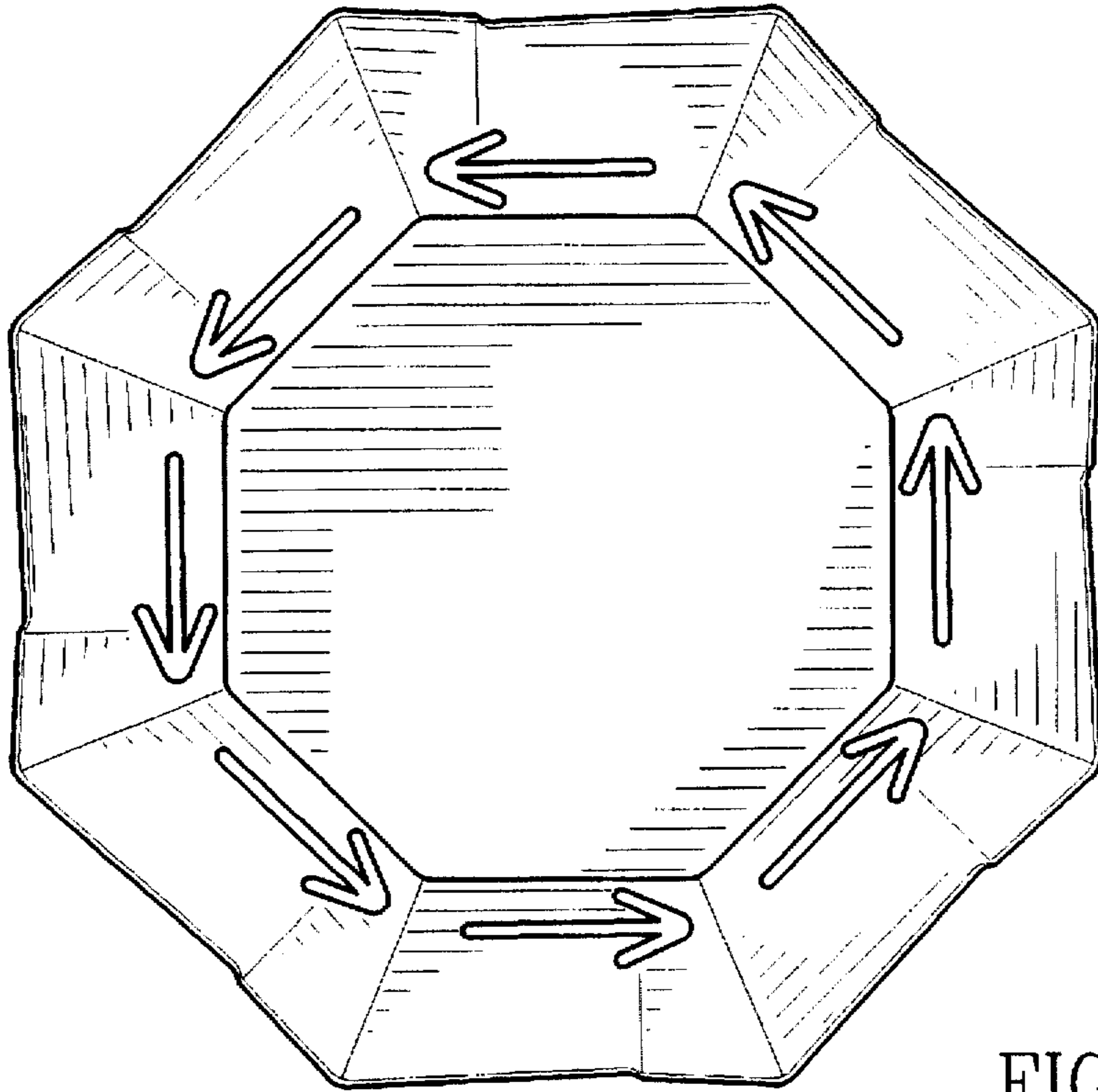


FIG. 11

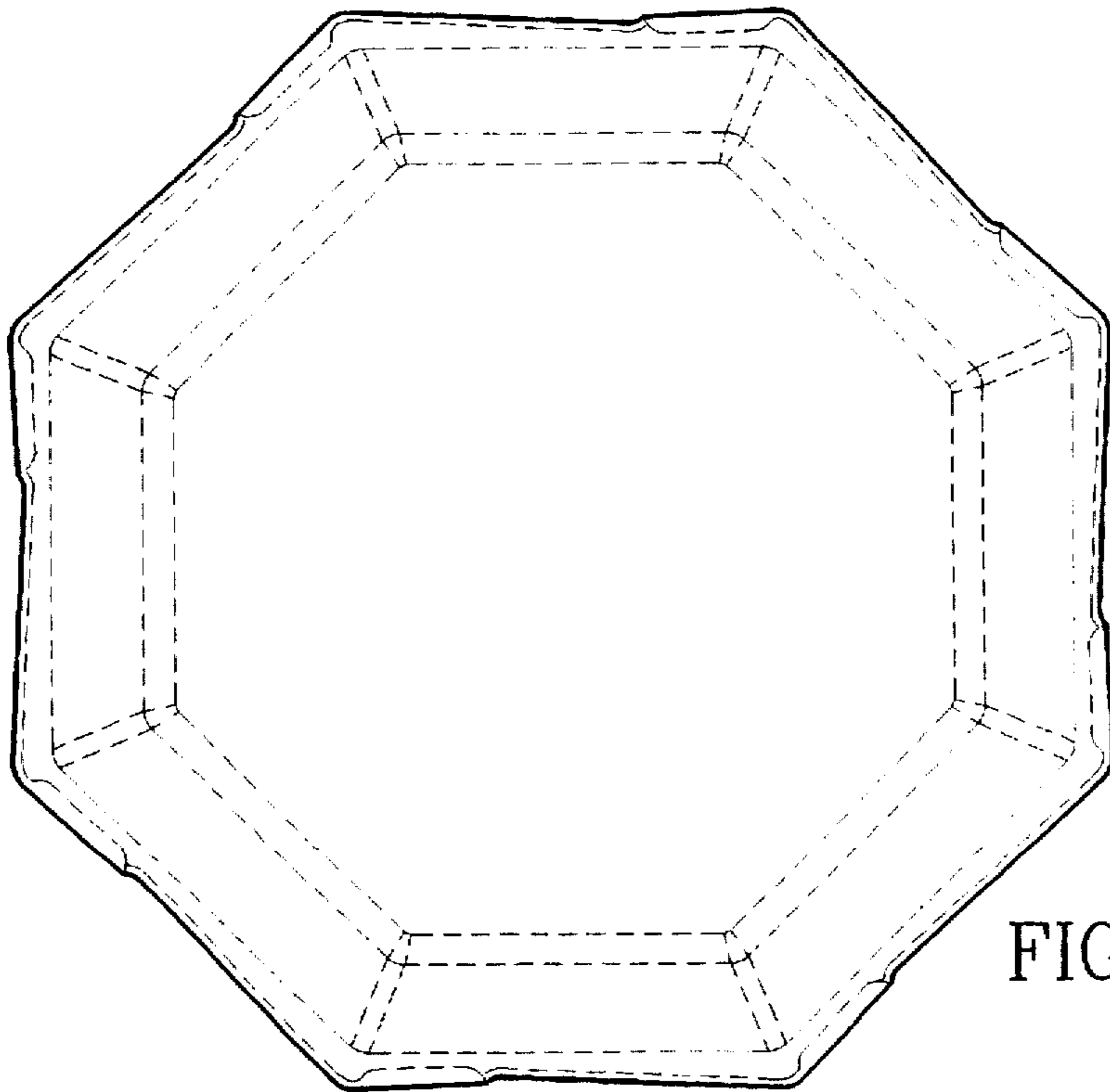


FIG. 12