



US00D390852S

United States Patent [19]

McLinden et al.

[11] Patent Number: **Des. 390,852**

[45] Date of Patent: ****Feb. 17, 1998**

[54] **SEWING MACHINE**

[75] Inventors: **Thomas V. McLinden**, Woodbury, Conn.; **Tenos Tang**, Taichung, Taiwan

[73] Assignee: **The Singer Company N.V.**, Curacao, Netherlands Antilles

[**] Term: **14 Years**

[21] Appl. No.: **47,876**

[22] Filed: **Dec. 14, 1995**

[51] LOC (6) Cl. **15-06**

[52] U.S. Cl. **D15/69**

[58] Field of Search **D15/66-70, 72; 112/217.1-217.4, 256-261**

[56] **References Cited**

U.S. PATENT DOCUMENTS

D. 220,066 3/1971 Eguchi et al. D15/69
D. 221,308 7/1971 Grange D15/69

D. 289,403 4/1987 Yoneda D15/69
D. 292,929 11/1987 Yoneda D15/69
D. 300,543 4/1989 Yoneda D15/70

OTHER PUBLICATIONS

Singer Tiny Tailor Sewing Machine.

Primary Examiner—Sandra L. Morris

Attorney, Agent, or Firm—McCormick, Paulding & Huber

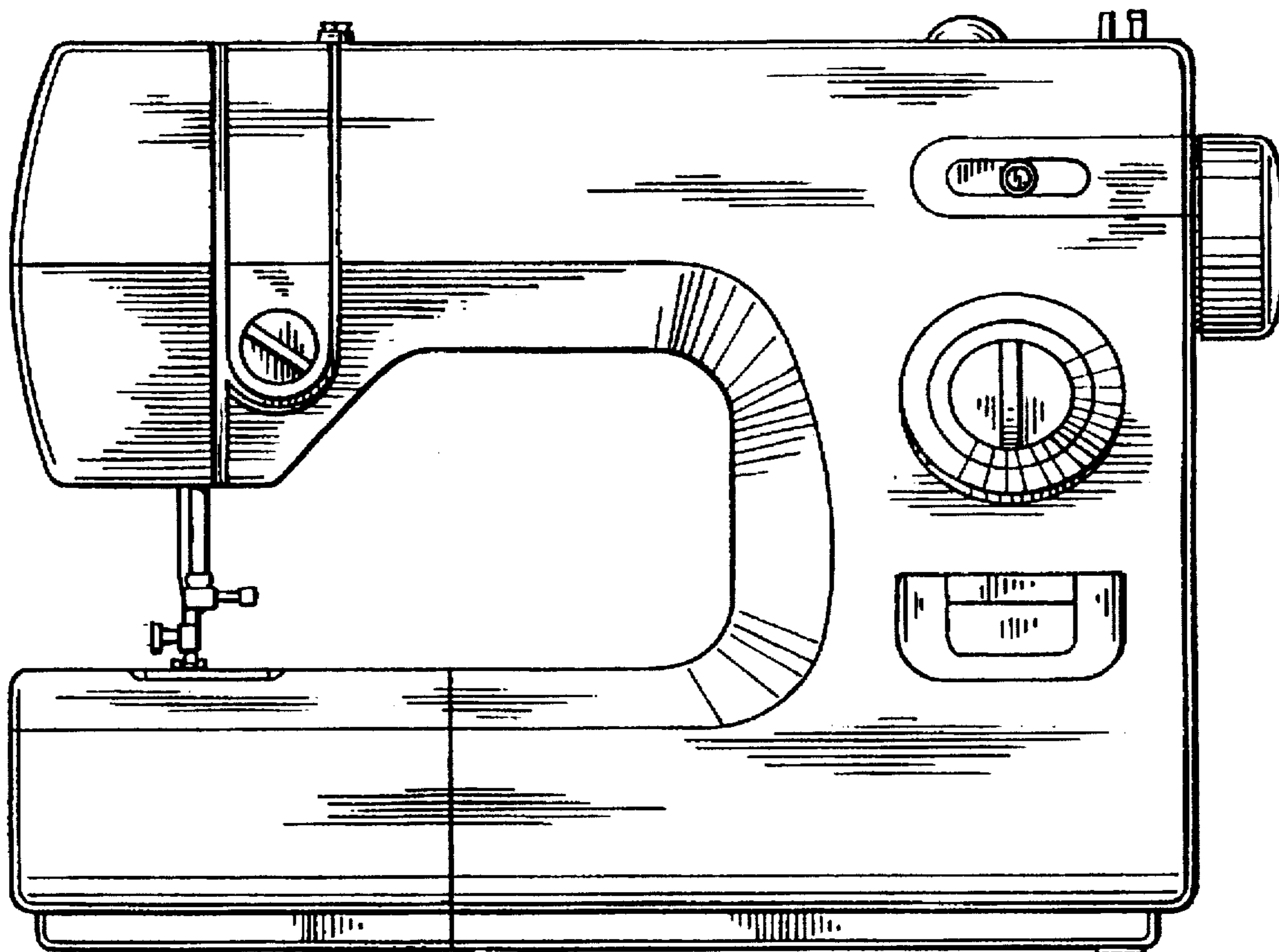
[57] **CLAIM**

The ornamental design for a sewing machine, as shown and described.

DESCRIPTION

FIG. 1 is a top view of an embodiment of our invention; FIG. 2 is a left side view thereof; FIG. 3 is a front view thereof; FIG. 4 is a right side view thereof; FIG. 5 is a rear view thereof; and, FIG. 6 is a bottom view thereof.

1 Claim, 3 Drawing Sheets



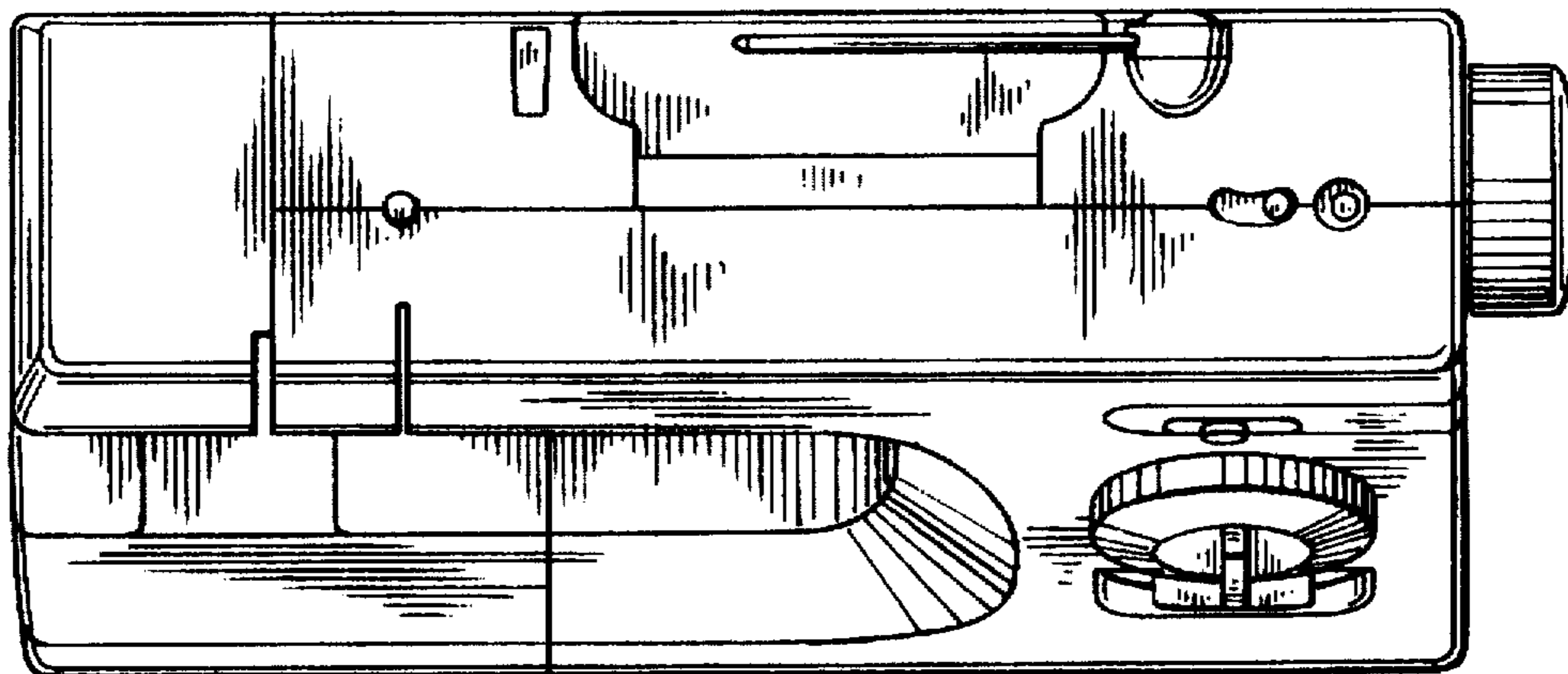


FIG. 1

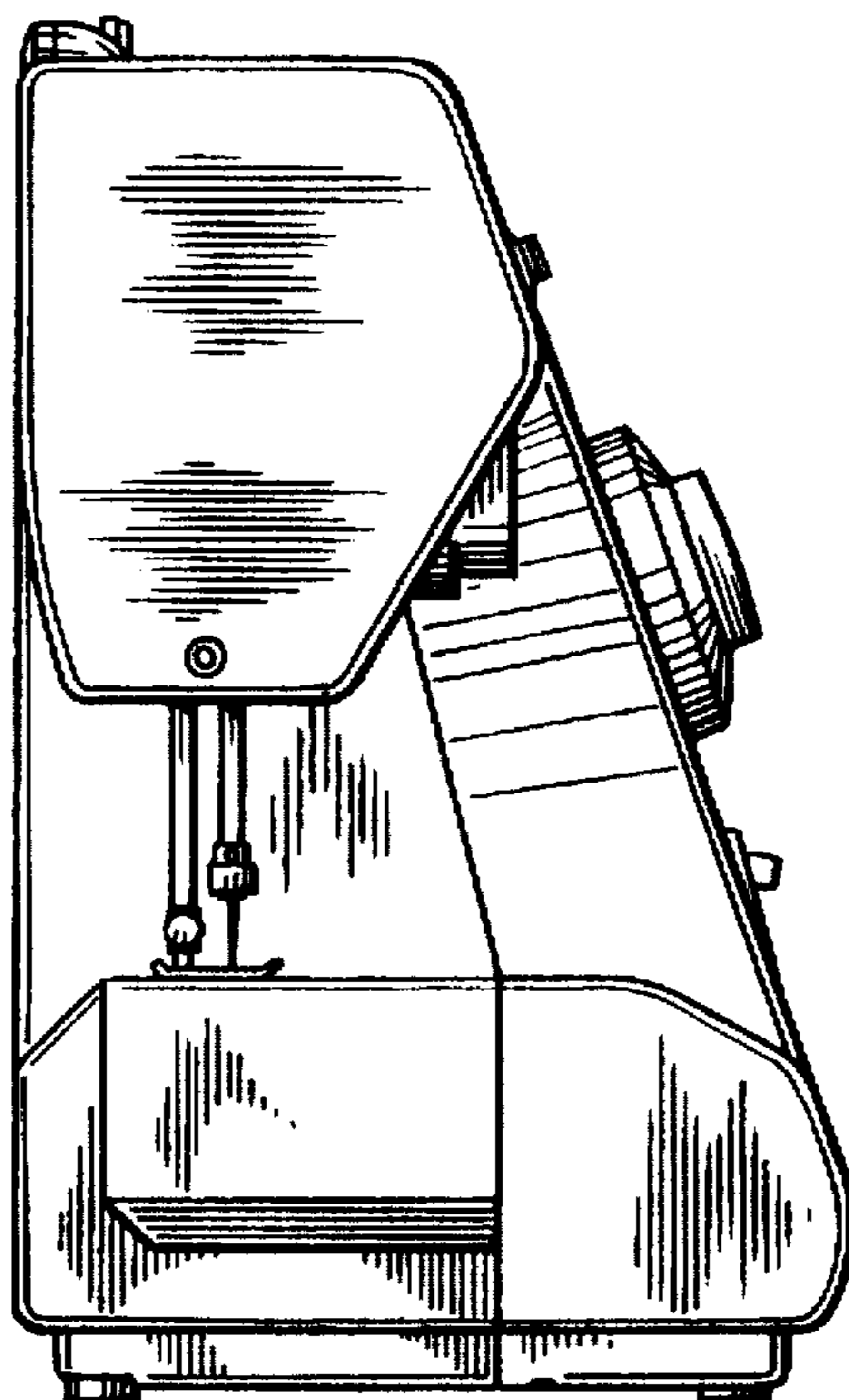


FIG. 2

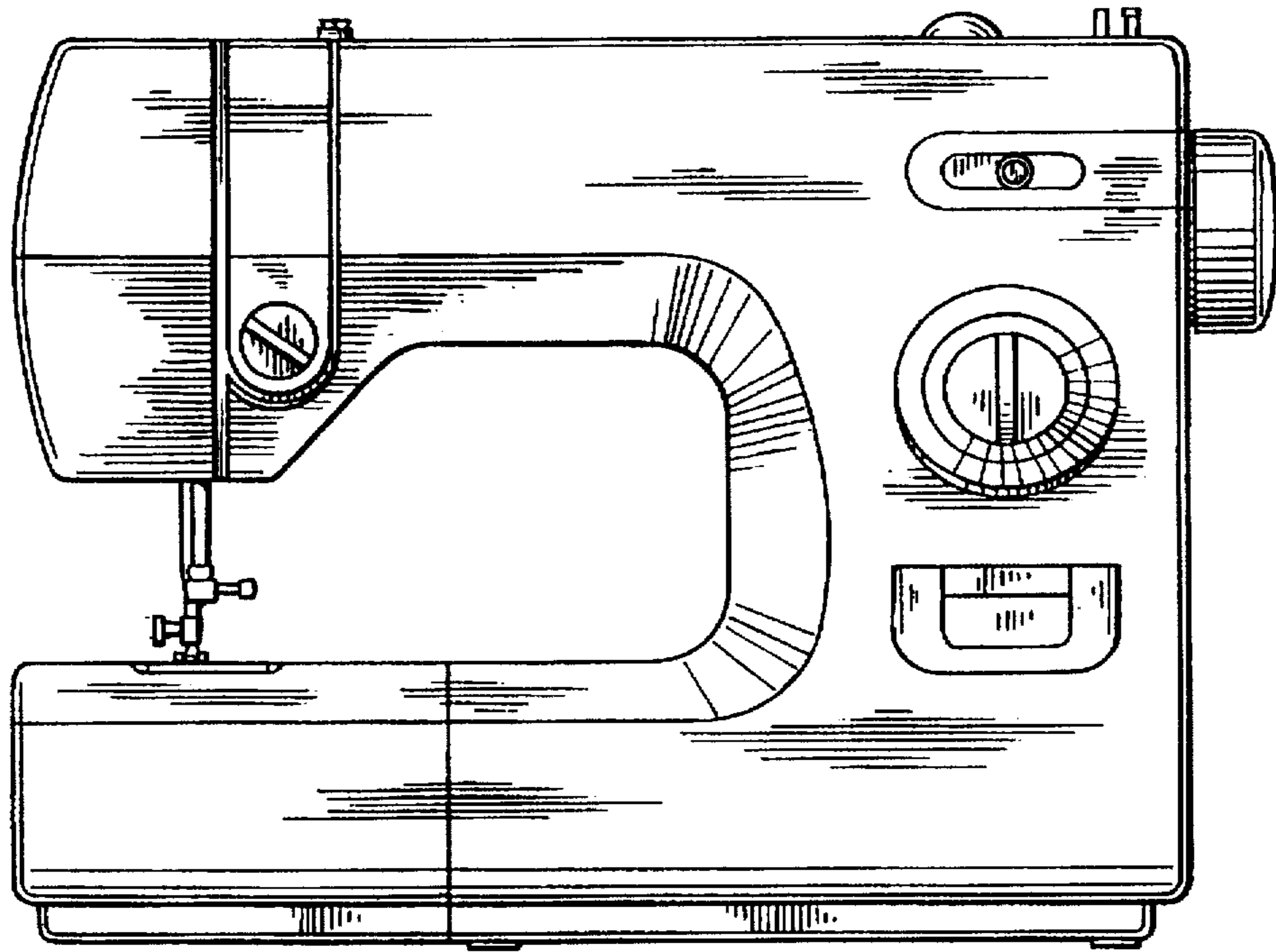


FIG. 3

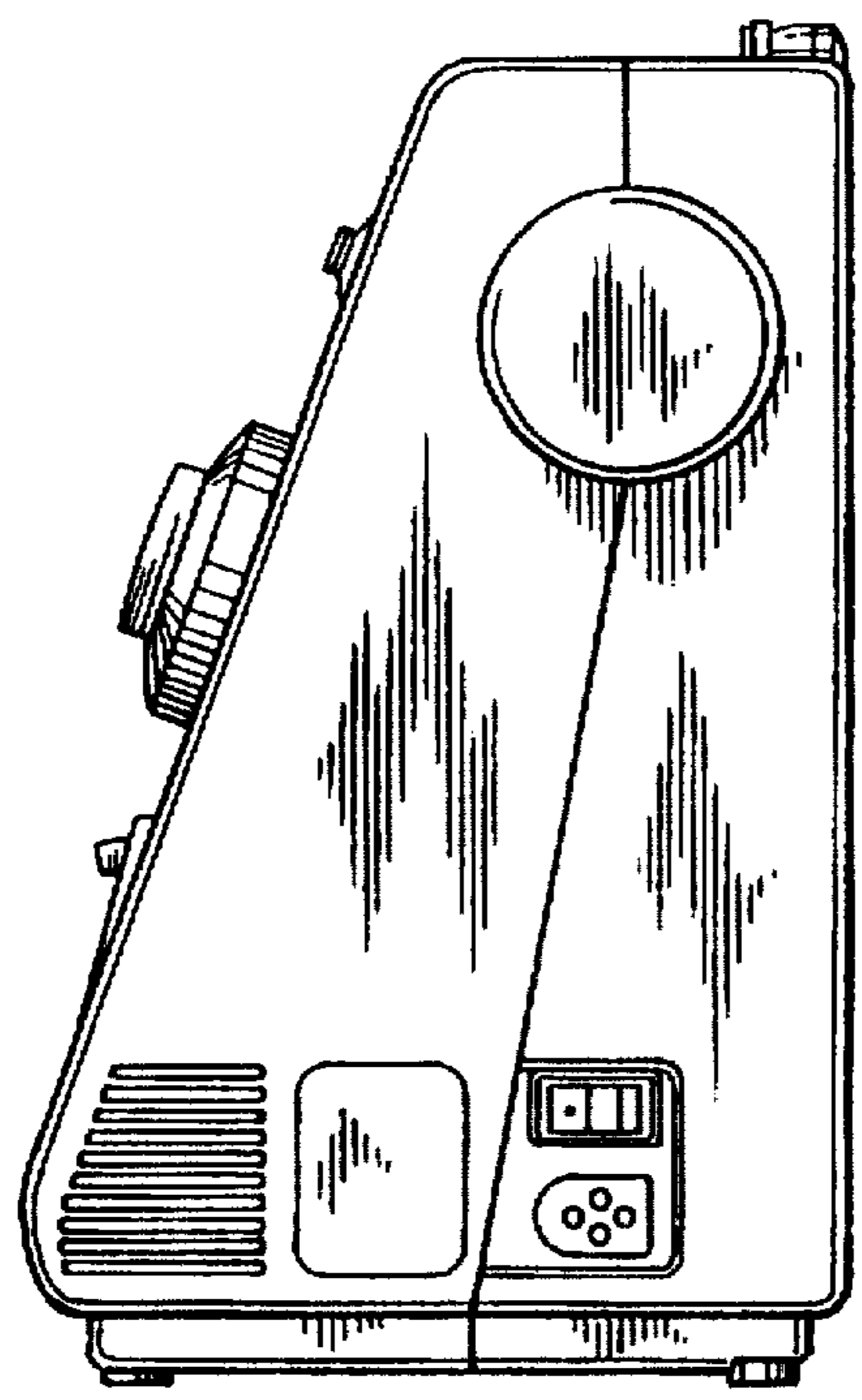


FIG. 4

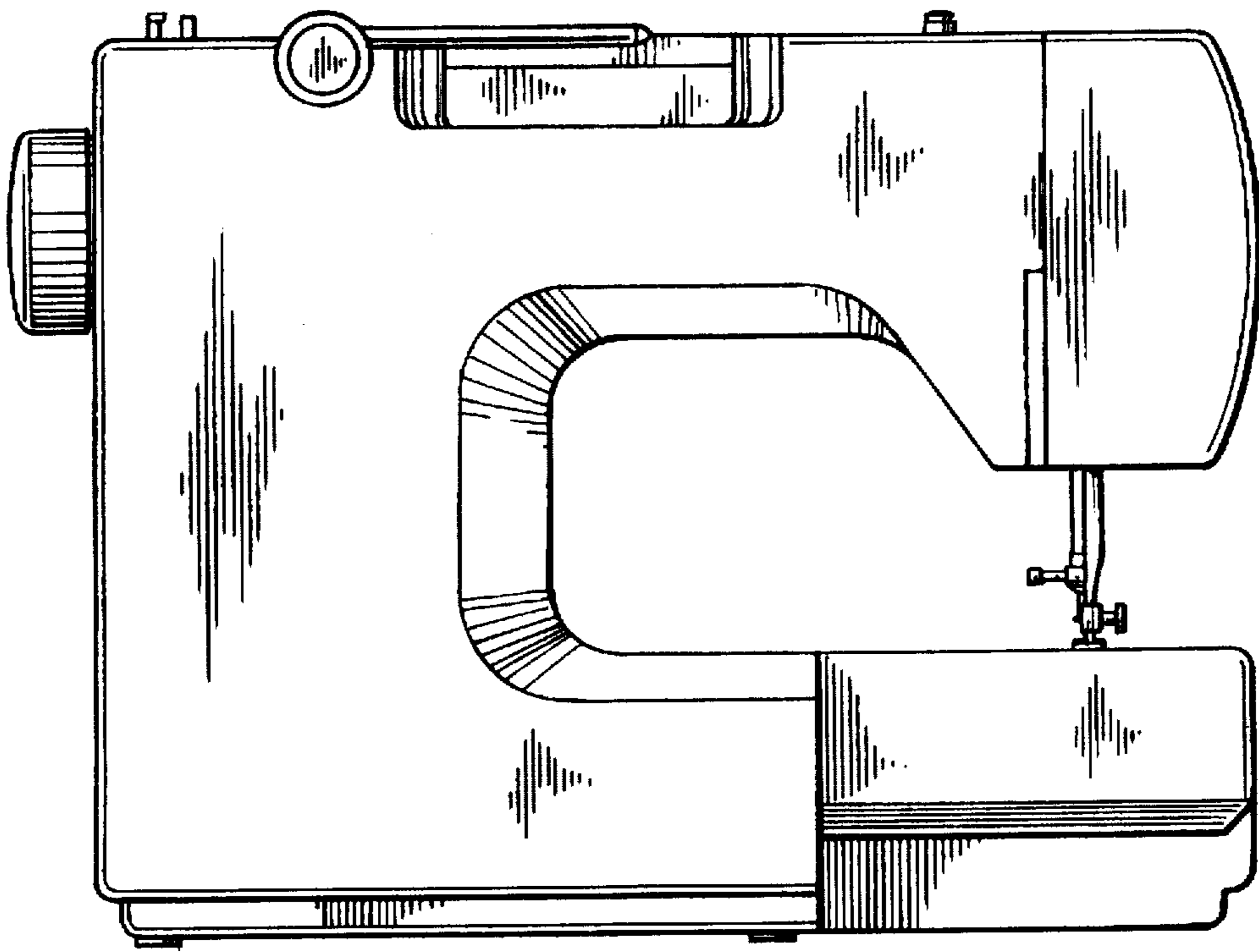


FIG. 5

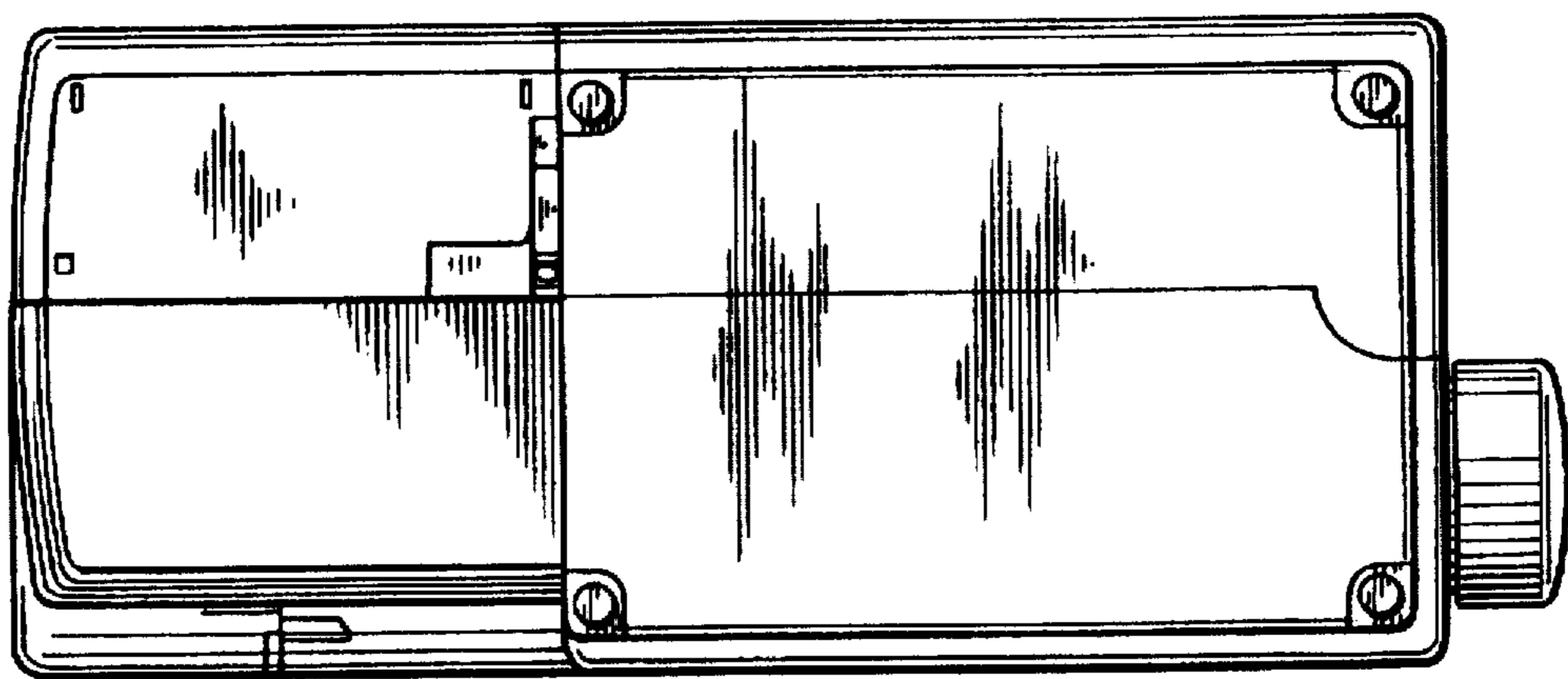


FIG. 6