



US00D390851S

**United States Patent** [19]  
**Lee**

[11] **Patent Number:** **Des. 390,851**  
[45] **Date of Patent:** **\*\*Feb. 17, 1998**

[54] **PAVEMENT CUTTER**

[76] **Inventor:** **Tracy W. Lee, 70 Fuller Rd., Trumbull, Conn. 06611**

[\*\*] **Term:** **14 Years**

[21] **Appl. No.:** **60,855**

[22] **Filed:** **Oct. 9, 1996**

[51] **LOC (6) Cl.** ..... **15-02**

[52] **U.S. Cl.** ..... **D15/29; D15/138**

[58] **Field of Search** ..... **D15/29, 138, 139; D8/70; 299/14, 36.1, 37.5, 40.1, 40**

[56] **References Cited**

**U.S. PATENT DOCUMENTS**

D. 374,018 9/1996 Schemenauer et al. .... D15/29  
4,247,148 1/1981 Ericksson ..... 299/40

*Primary Examiner*—Antoine Duval Davis  
*Attorney, Agent, or Firm*—John R. Doherty

[57] **CLAIM**

The ornamental design for a pavement cutter, as shown.

**DESCRIPTION**

FIG. 1 is a perspective view of a pavement cutter showing my new design;  
FIG. 2 is a right side view of the pavement cutter, the left side view being the same;  
FIG. 3 is a front view of the pavement cutter;  
FIG. 4 is a rear view of the pavement cutter;  
FIG. 5 is a top view of the pavement cutter; and,  
FIG. 6 is a bottom view thereof.

**1 Claim, 2 Drawing Sheets**

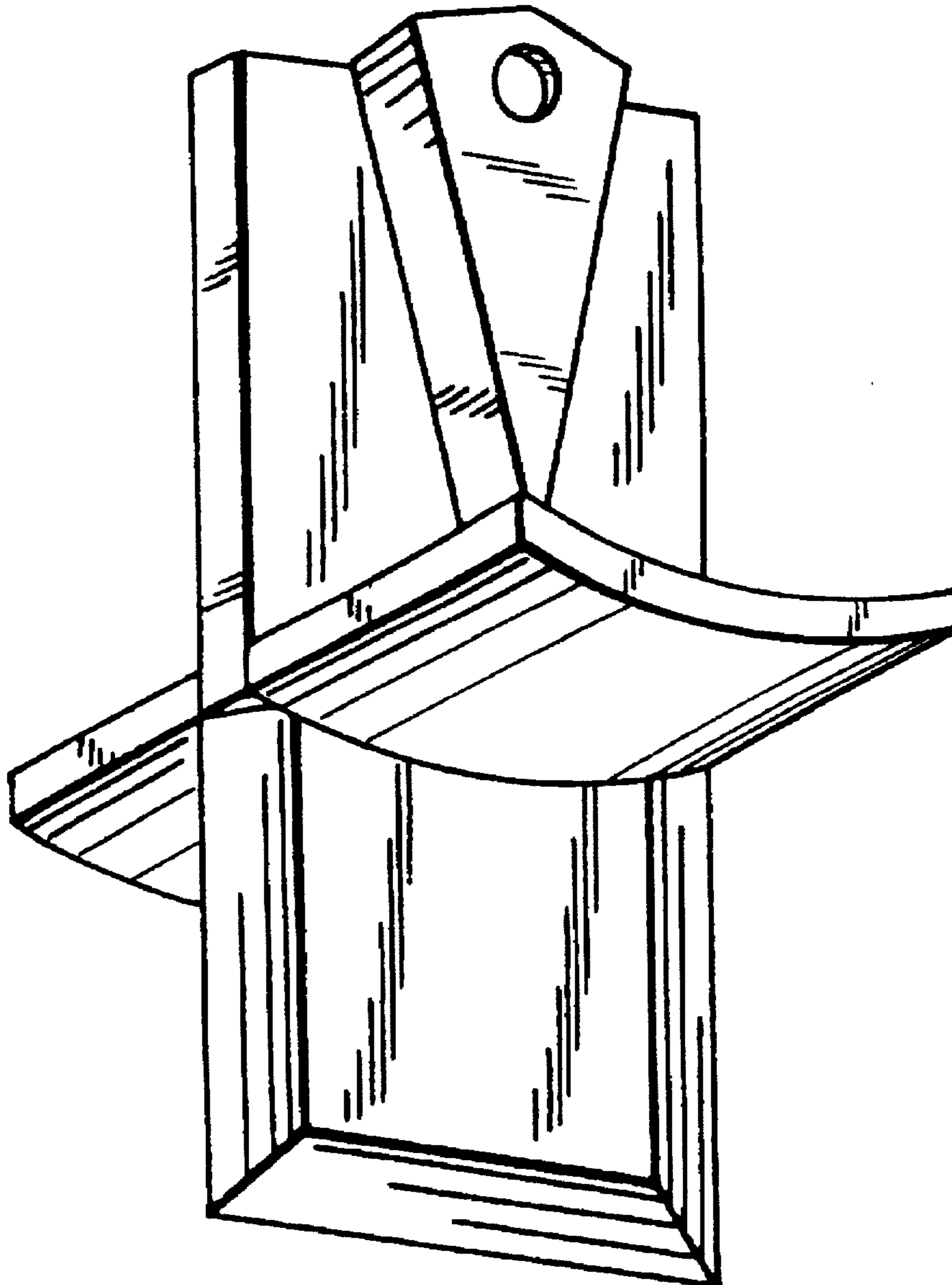


FIG. 1

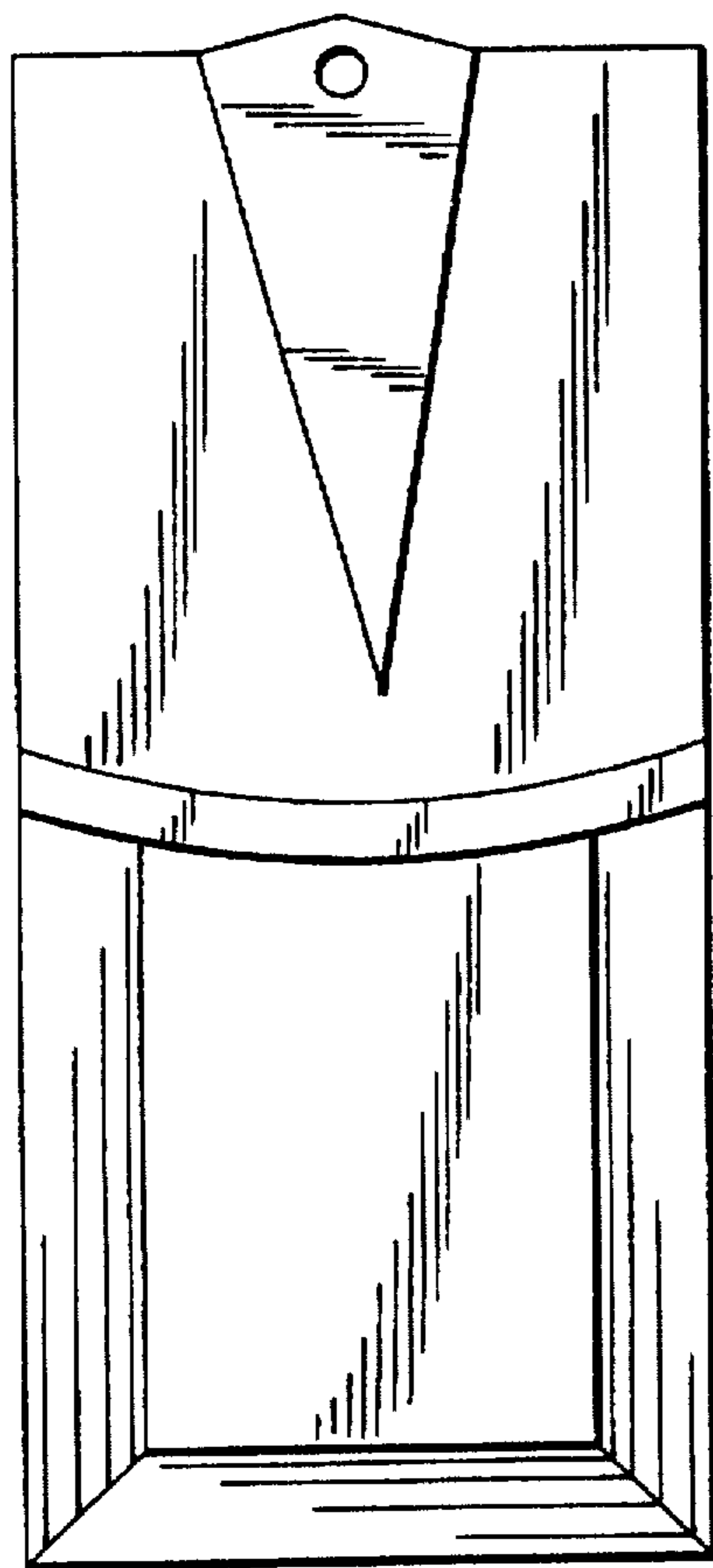
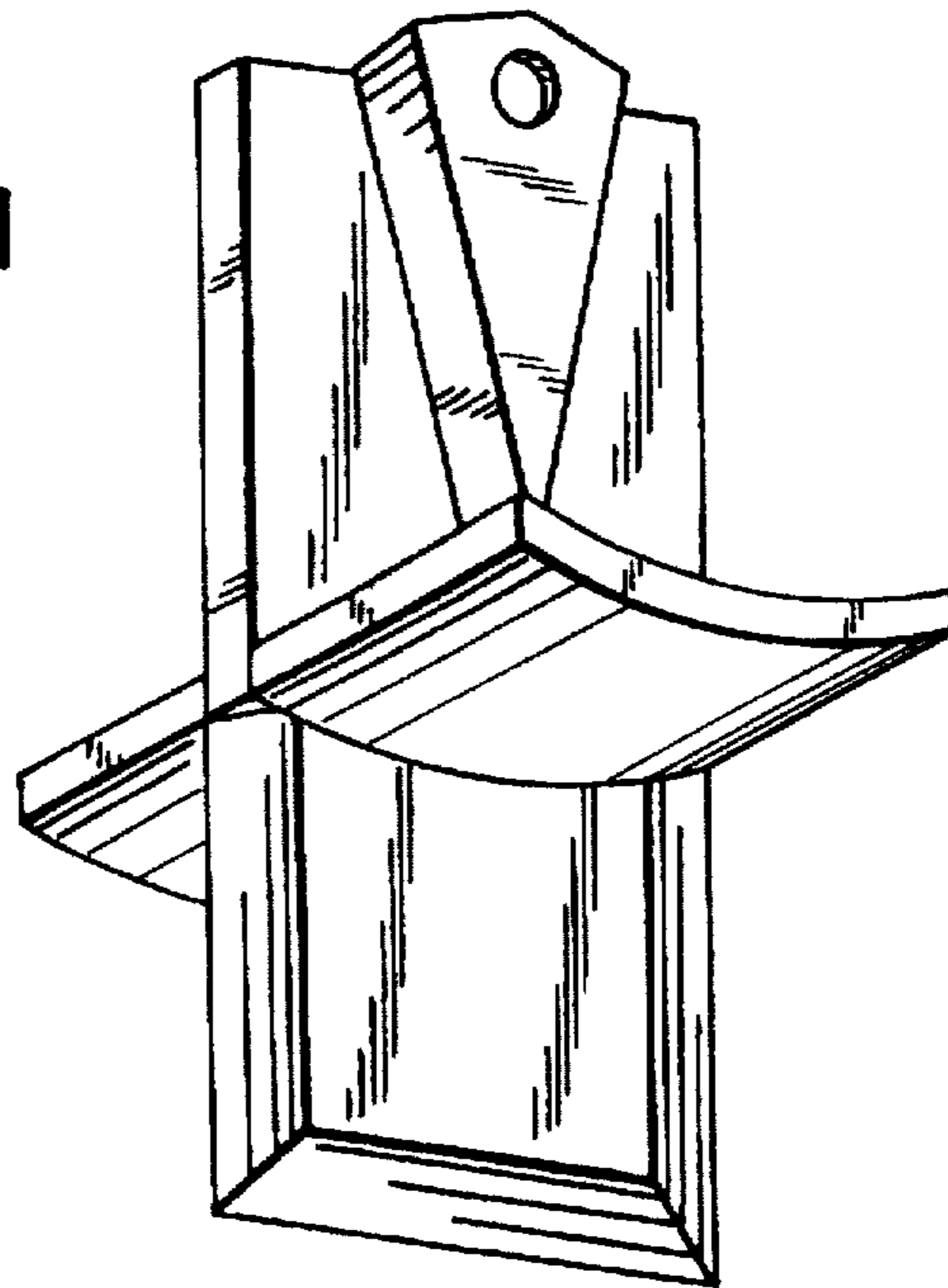


FIG. 2

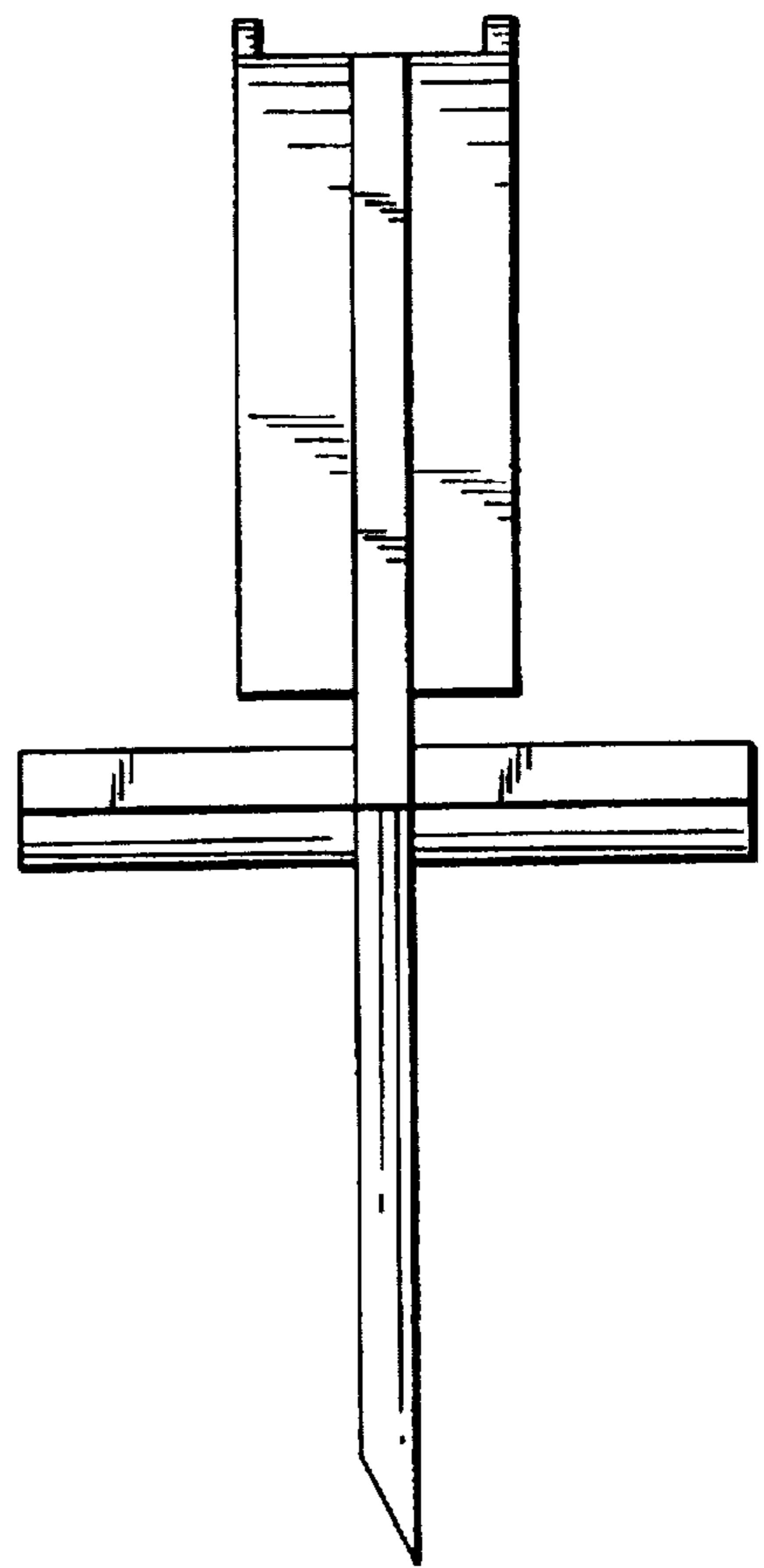


FIG. 3

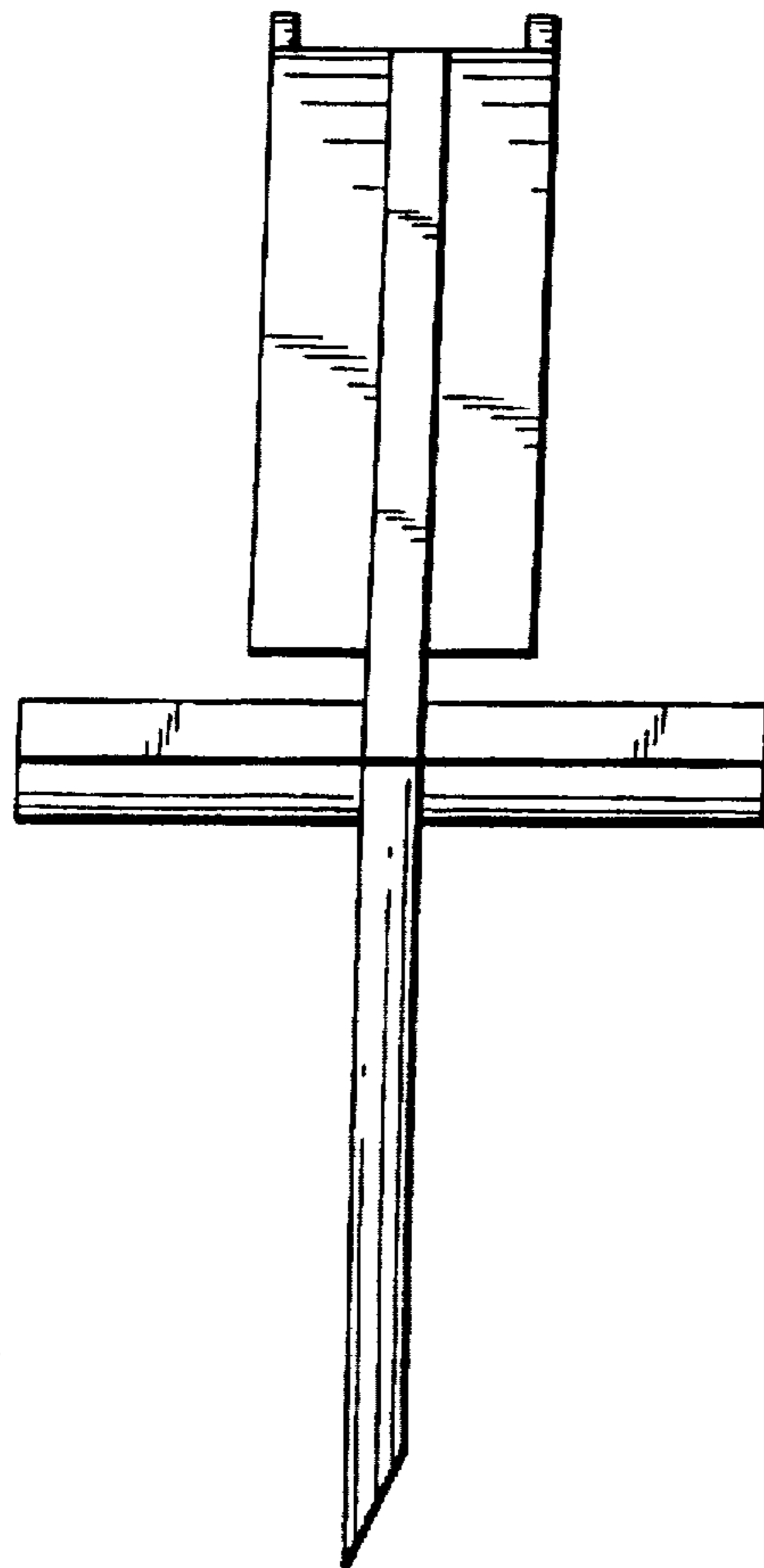


FIG. 4

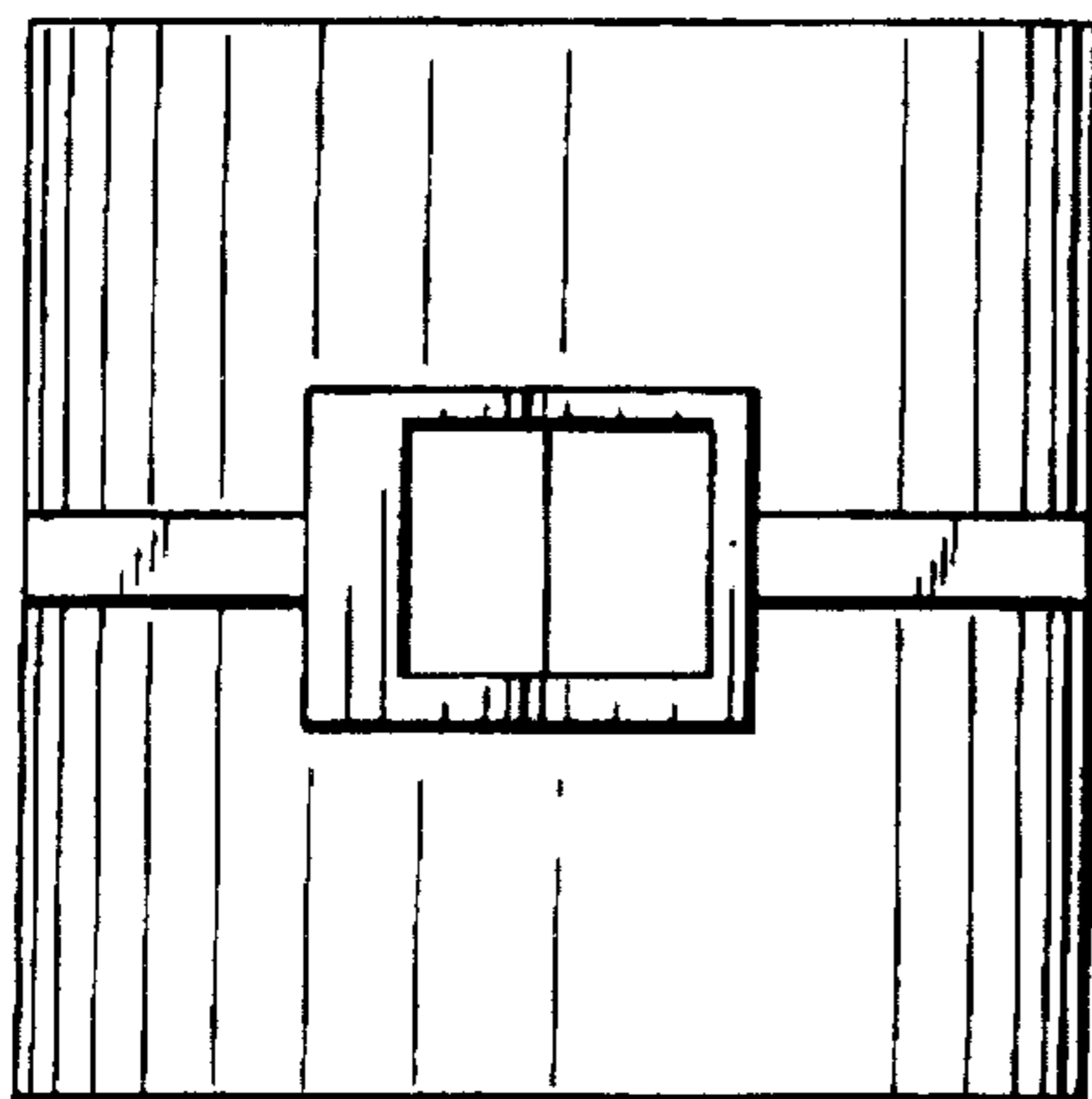


FIG. 5

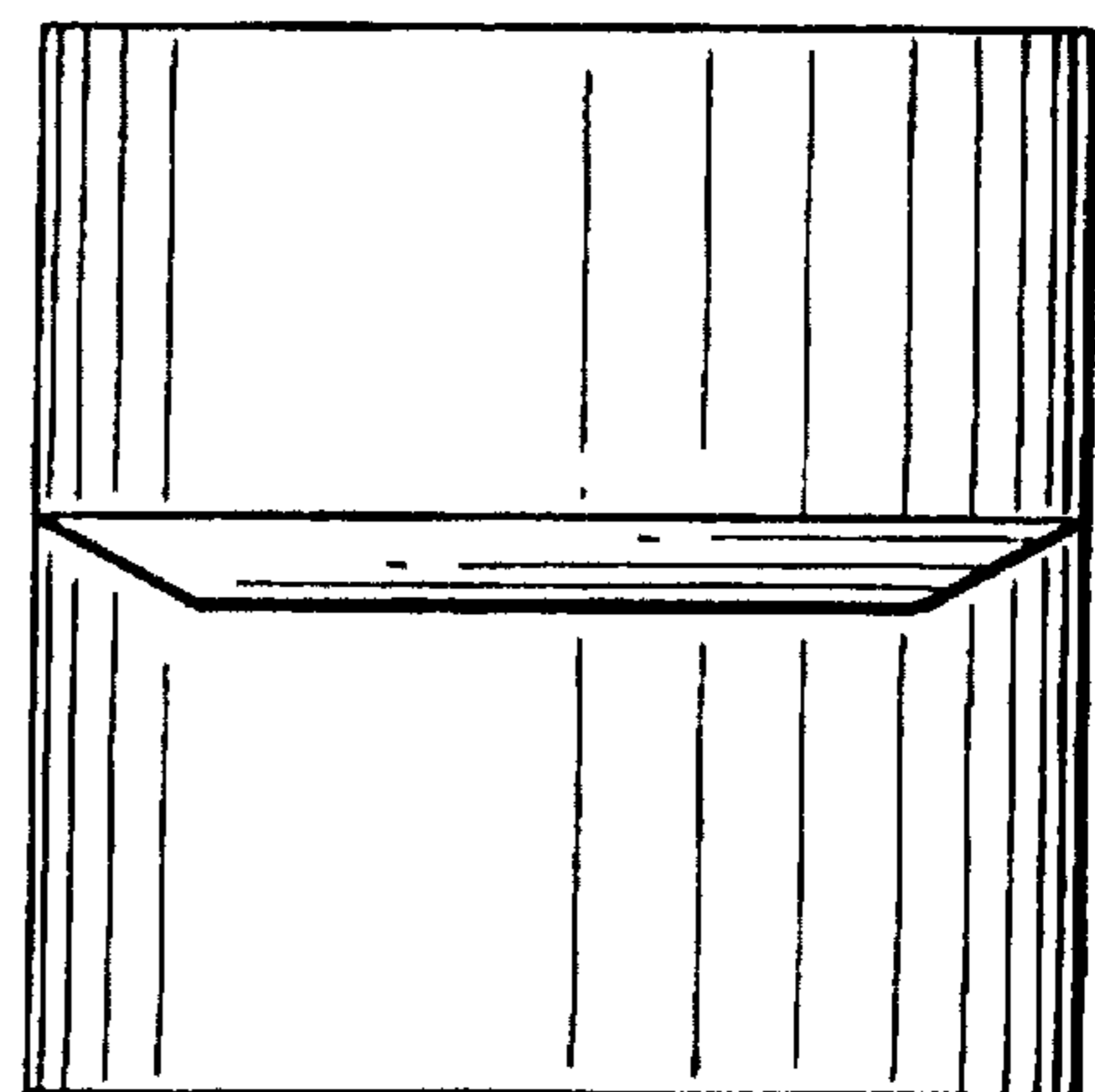


FIG. 6