



US00D390848S

United States Patent [19]

[11] Patent Number: **Des. 390,848**

Santee et al.

[45] Date of Patent: ****Feb. 17, 1998**

[54] **SUPPLEMENTAL FEATURE MODULE FOR A TELEPHONE HANDSET**

[75] Inventors: **Barbara Santee, Mesa, Ariz.; Albert Leo Nagele, Wilmette, Ill.; Matthew Petersen; Jason Parker, both of Scottsdale, Ariz.**

[73] Assignee: **Motorola, Inc., Schaumburg, Ill.**

[**] Term: **14 Years**

[21] Appl. No.: **56,025**

[22] Filed: **Jun. 20, 1996**

[51] LOC (6) Cl. **14-03**

[52] U.S. Cl. **D14/240**

[58] Field of Search D14/140, 142, D14/137, 138, 149, 240, 242, 218, 251-253, 250; D13/107, 108, 119; 379/58-61, 454, 455, 419, 420, 428, 440, 433-436, 441, 442; 455/89, 90

[56] **References Cited**

U.S. PATENT DOCUMENTS

- D. 317,157 5/1991 Jondelius D14/253
- D. 336,293 6/1993 Morano D14/240 X
- D. 345,341 3/1994 Tattari et al. D13/119
- D. 358,154 5/1995 Jondelius D14/253

- D. 365,927 1/1996 Cho D3/218
- D. 368,267 3/1996 Rak et al. D14/242
- D. 369,359 4/1996 Wright et al. D3/218 X
- D. 369,606 5/1996 Marks D14/218
- 5,480,115 1/1996 Hatof 379/455 X
- 5,517,683 5/1996 Collett et al. 455/90 X
- 5,535,274 7/1996 Braitberg et al. 379/455 X

Primary Examiner—Jeffrey Asch
Attorney, Agent, or Firm—Frank J. Bogacz

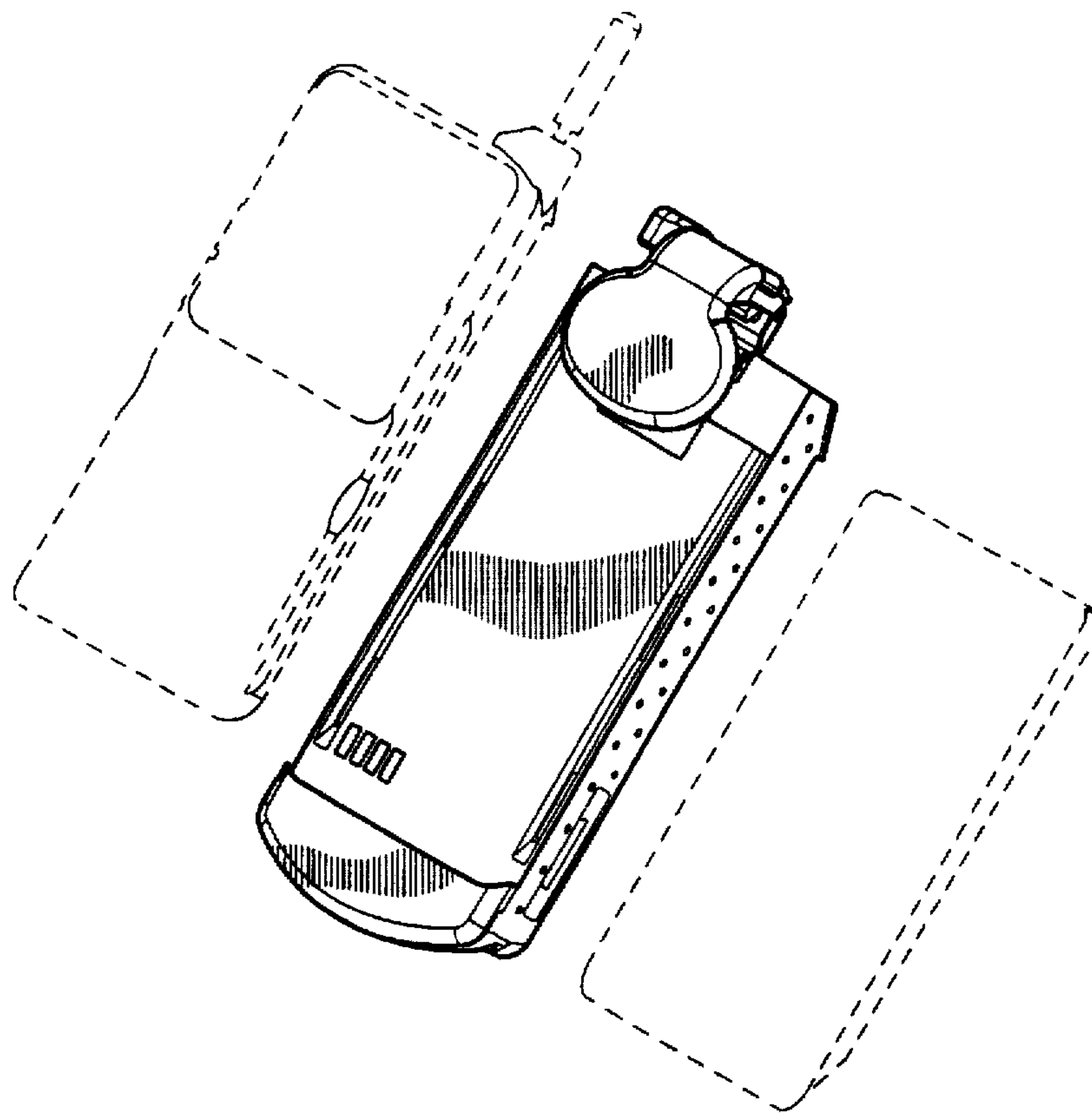
[57] **CLAIM**

The ornamental design for the supplemental feature module for a telephone handset, as shown and described.

DESCRIPTION

FIG. 1 is a isometric view showing our new design for a supplemental feature module for a telephone handset; FIG. 2 is a right side elevational view thereof; FIG. 3 is a front elevational view thereof; FIG. 4 is a rear elevational view thereof; and, FIG. 5 is a bottom elevational view thereof. FIG. 1 and 2 show, in broken lines, a telephone handset and battery exploded from the claimed design. The broken lines being for illustrative purposes only and forming no part of the claimed design. The portions of the article not shown in the drawing views are not considered to be a part of the claimed design.

1 Claim, 3 Drawing Sheets



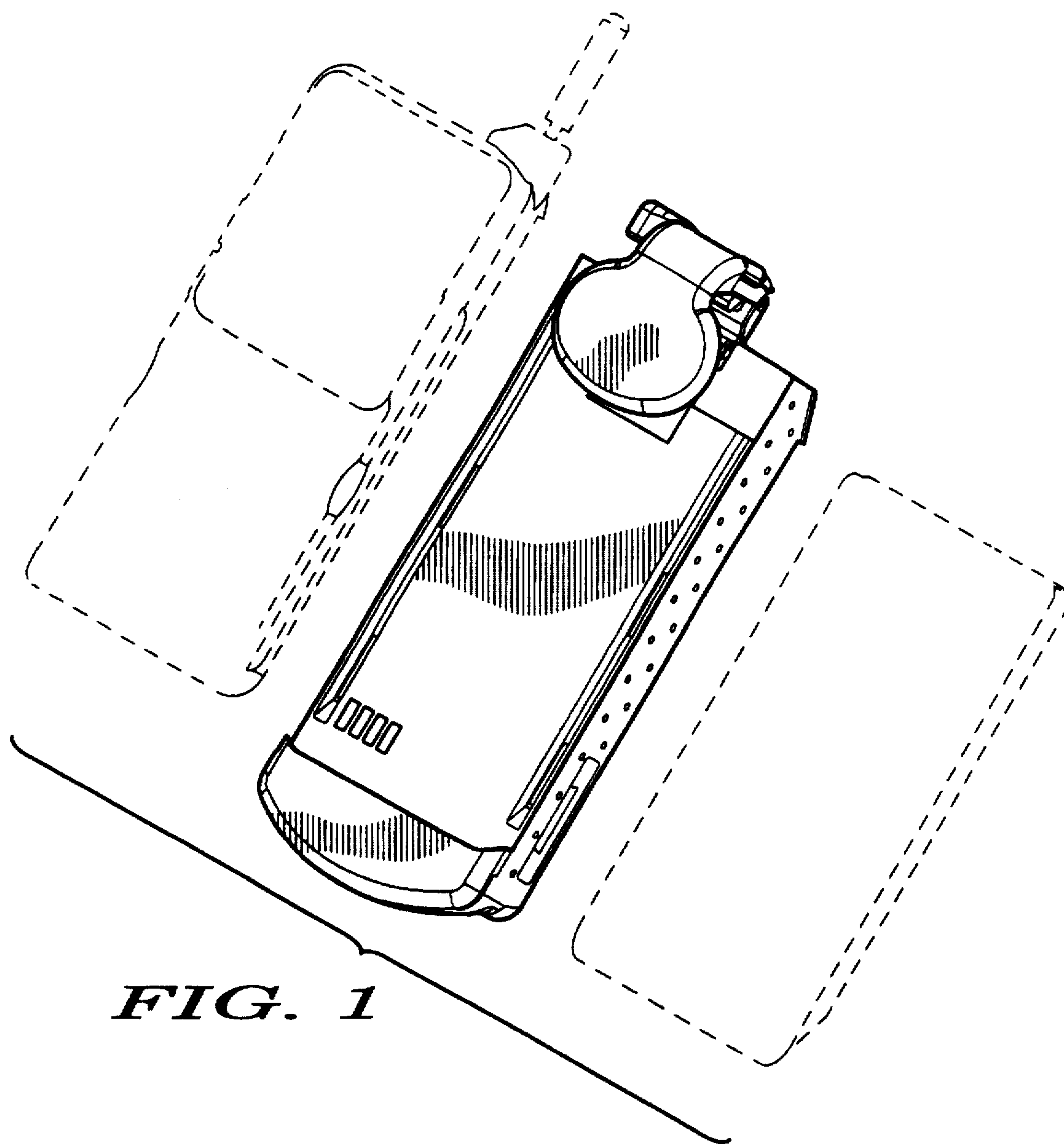


FIG. 1

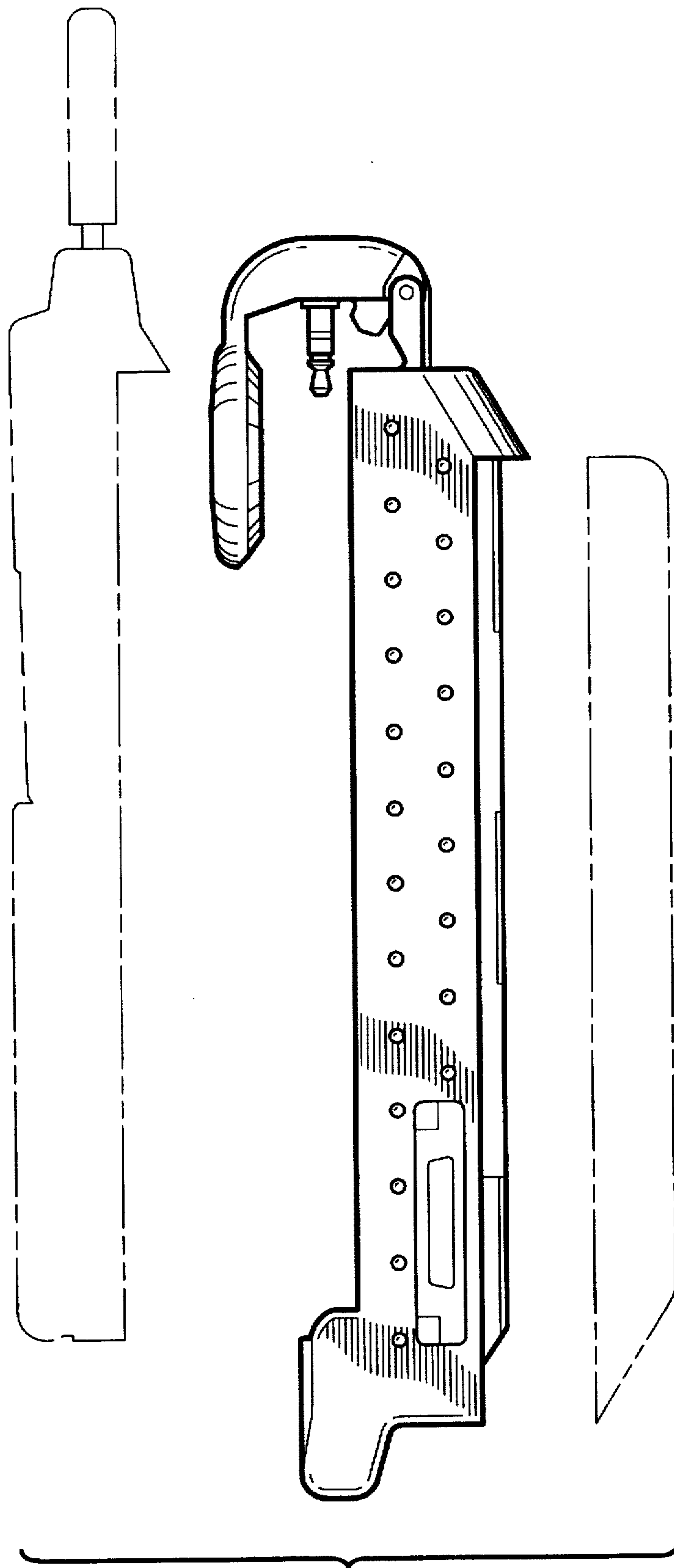


FIG. 2

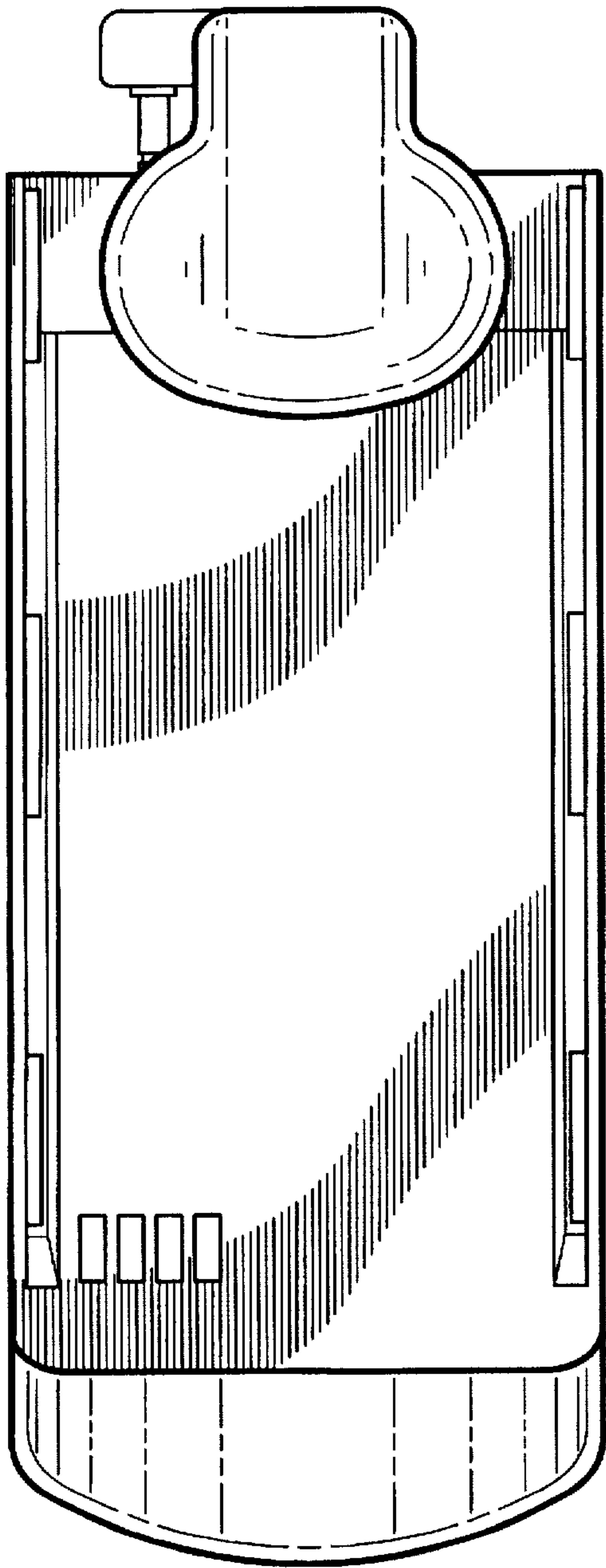


FIG. 3

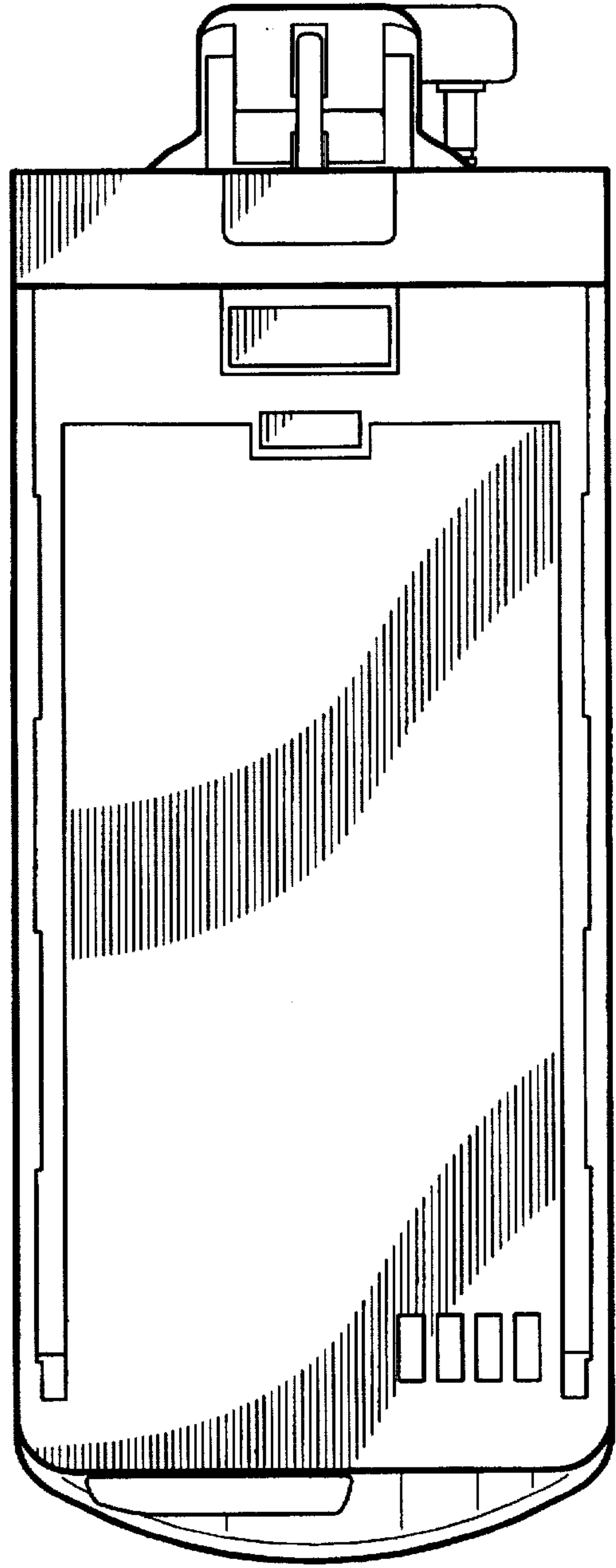


FIG. 4

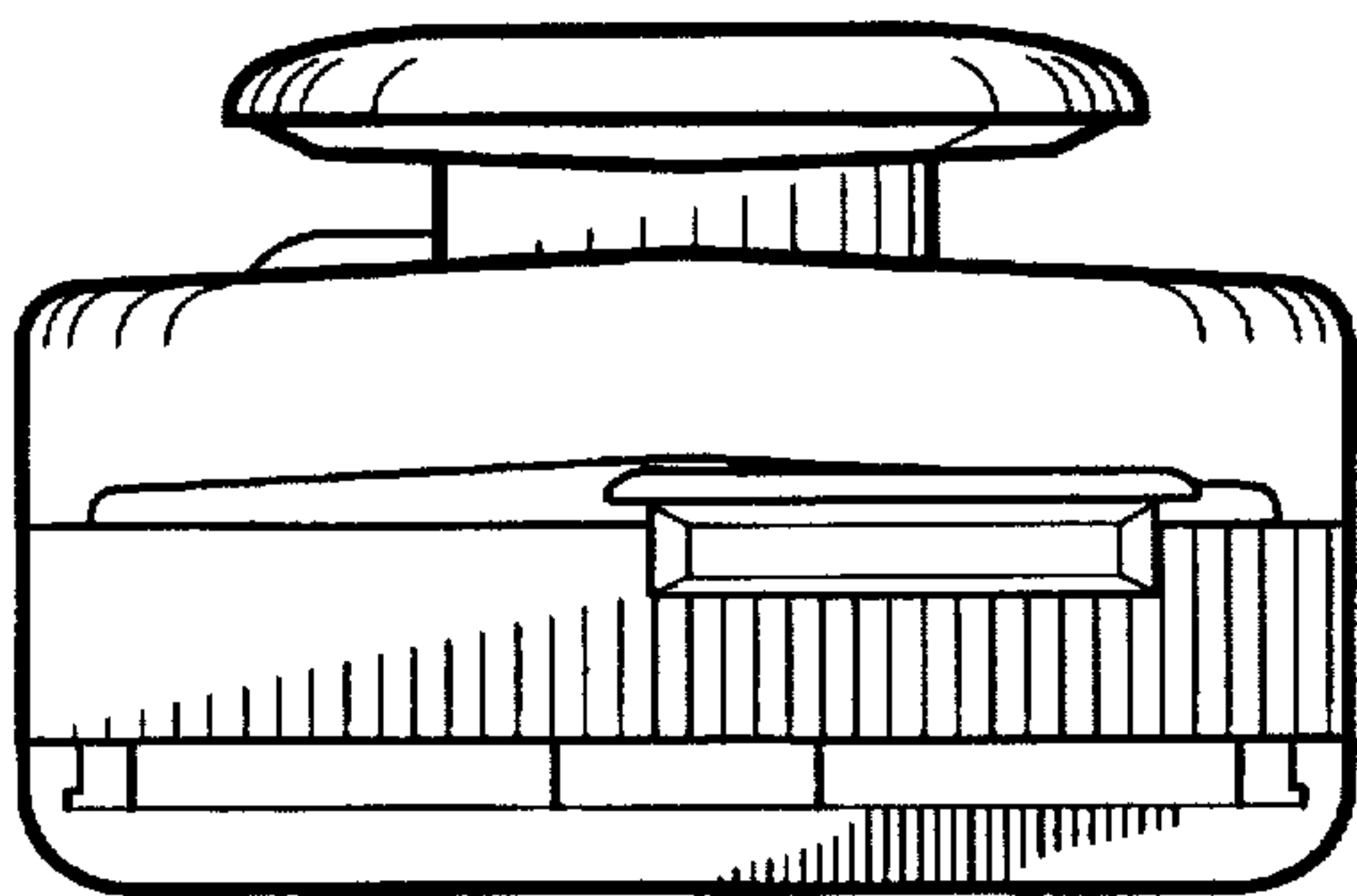


FIG. 5