



US00D390843S

United States Patent [19] Rosen

[11] Patent Number: **Des. 390,843**

[45] Date of Patent: ****Feb. 17, 1998**

[54] **WALL-MOUNTED MONITOR**

4,635,110 1/1987 Weinblatt .
4,843,477 6/1989 Mizutani et al. .

[75] Inventor: **John B. Rosen**, Eugene, Oreg.

[73] Assignee: **Advanced Multimedia Products Corporation**, Eugene, Oreg.

[**] Term: **14 Years**

Primary Examiner—Ted Shooman
Assistant Examiner—Richelle Shelton
Attorney, Agent, or Firm—Kolisch, Hartwell, Dickinson, McCormack & Heuser

[21] Appl. No.: **66,477**

[22] Filed: **Feb. 6, 1997**

[51] **LOC (6) Cl.** **14-03**

[52] **U.S. Cl.** **D14/126**

[58] **Field of Search** D14/113, 126,
D14/132, 134, 239; D12/345, 415, 418,
421; D24/158; D20/10, 42; 248/917-924;
297/188.16, 188.17, 217.3; 312/7.2; 348/825,
827, 836-838

[57] CLAIM

The ornamental design for a wall-mounted monitor, as shown and described.

DESCRIPTION

FIG. 1 is a front elevational view of a wall-mounted monitor showing my invention, the broken line showing of the aircraft and bulkhead is for illustrative purposes only and forms no part of the claimed design;

FIG. 2 is an enlarged front elevational view of the monitor shown in FIG. 1;

FIG. 3 is a top plan view thereof;

FIG. 4 is a bottom plan view thereof;

FIG. 5 is a right-side elevational view thereof, the left-side elevational view being a mirror image; and,

FIG. 6 is a rear elevational view thereof.

[56] References Cited

U.S. PATENT DOCUMENTS

D. 299,491 1/1989 Masuda .
D. 310,359 9/1990 Inukai D14/113
D. 339,574 9/1993 Althans et al. D14/113
D. 355,676 2/1995 Wilson D20/10

1 Claim, 3 Drawing Sheets

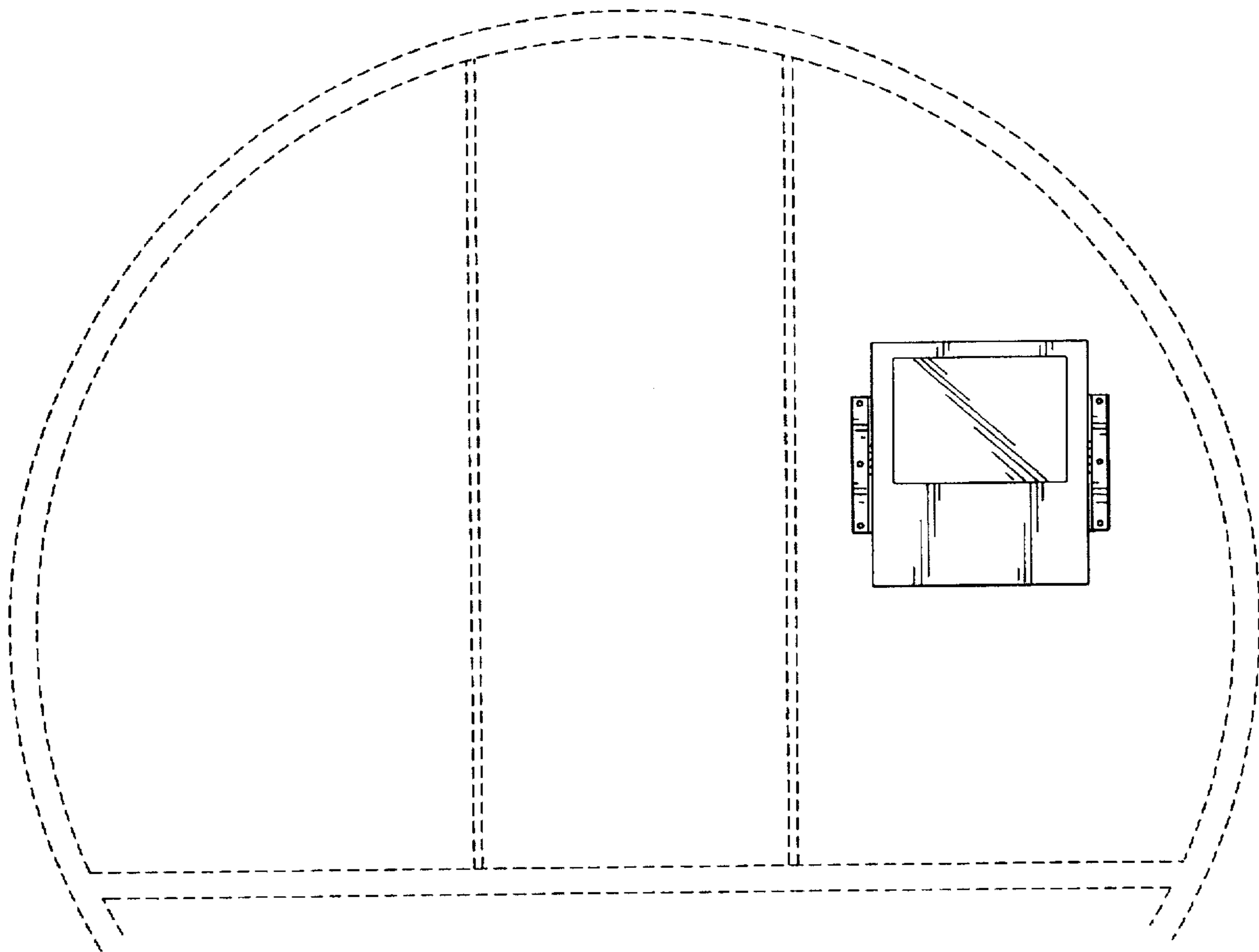
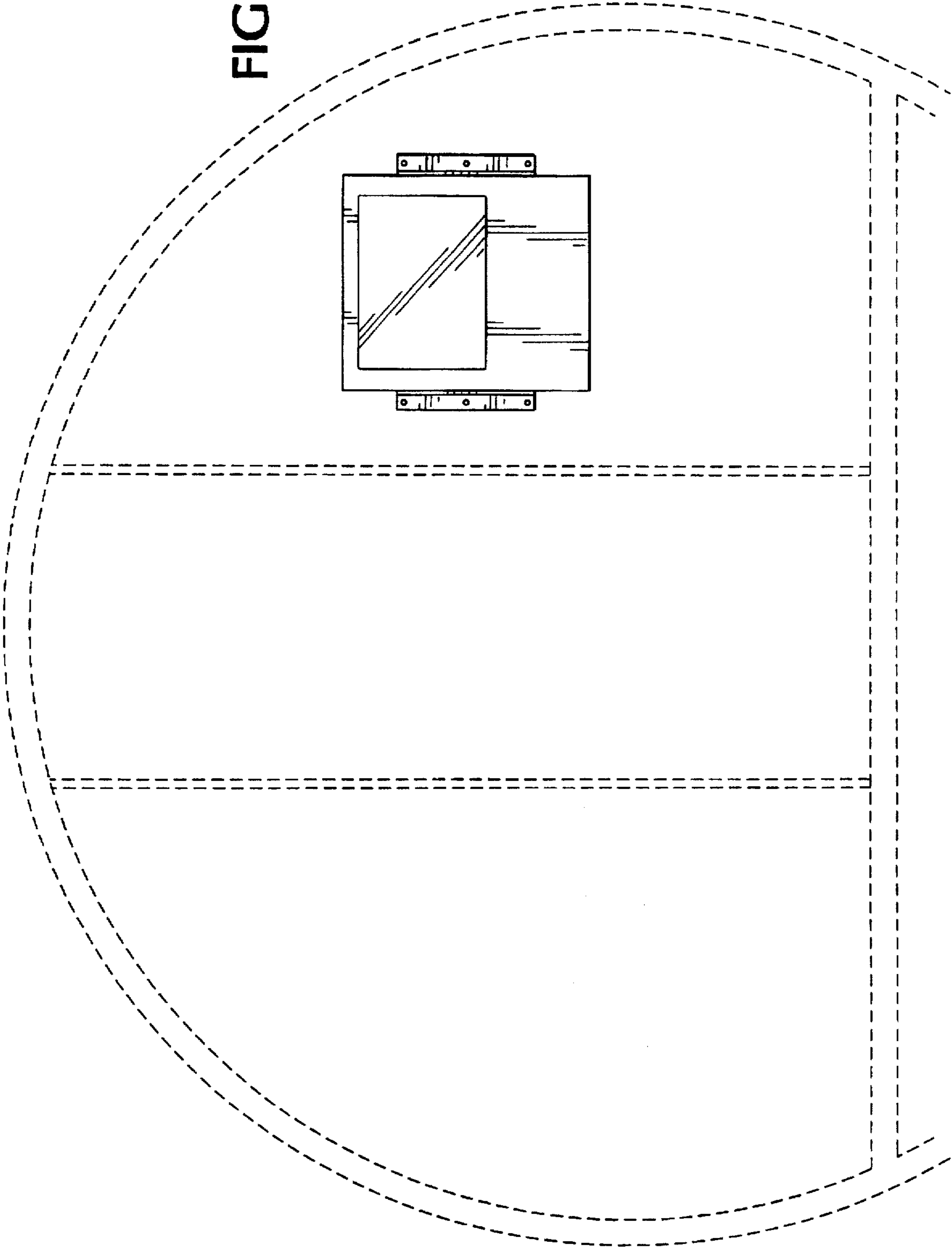


FIG. 1



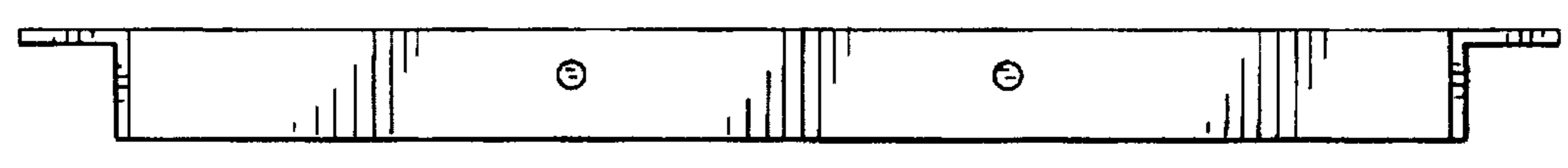


FIG. 3

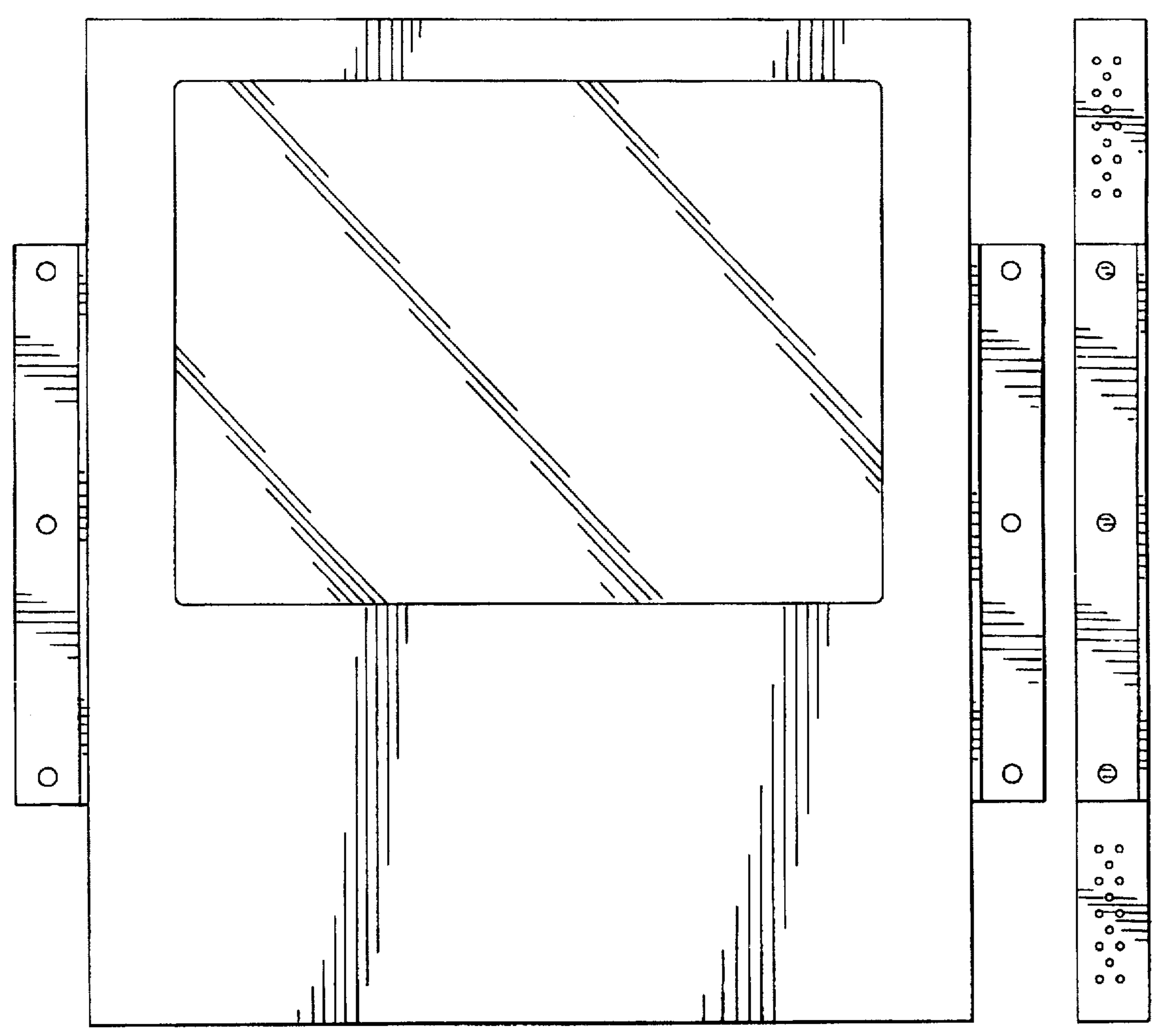


FIG. 2

FIG. 5

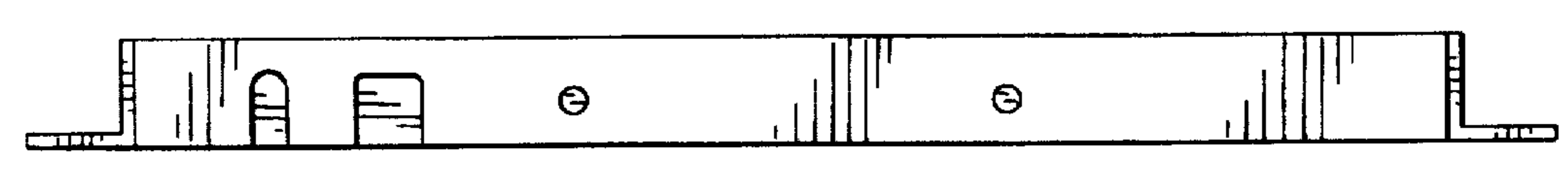


FIG. 4

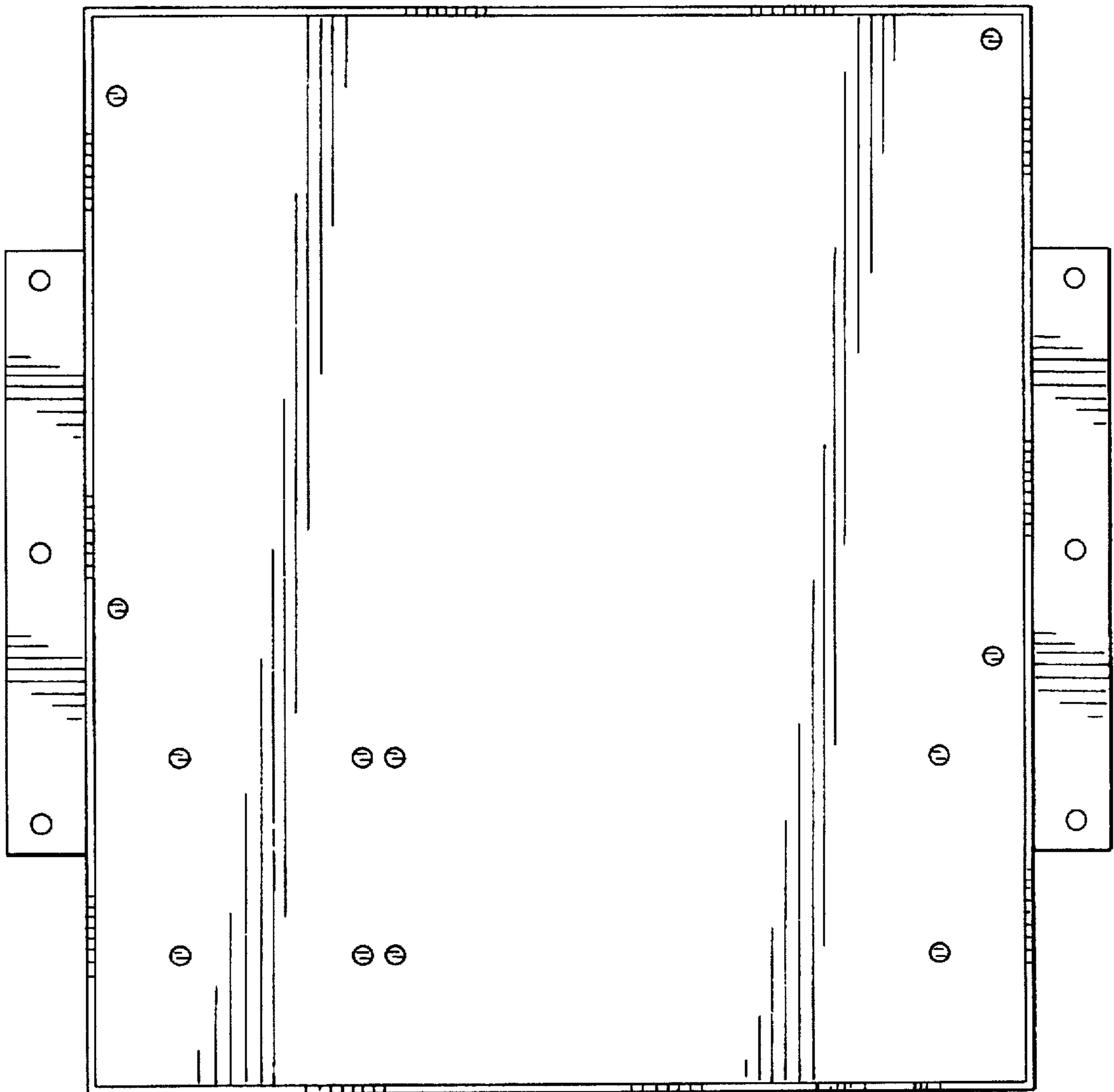


FIG.6