



US00D390840S

# United States Patent [19]

[11] Patent Number: Des. 390,840

Autry et al.

[45] Date of Patent: \*\*\*Feb. 17, 1998

[54] **FRONT BEZEL FOR A TOWER PERSONAL COMPUTER**

[75] Inventors: **Sidney David Autry**, Dakota Dunes, S. Dak.; **Ronald Hancock**, Prescott, Ariz.; **Loriann M. Tague**; **Jeffrey Schindler**, both of Sioux City, Iowa

[73] Assignee: **Gateway 2000, Inc.**, North Sioux City, S. Dak.

[\*] Notice: The portion of the term of this patent subsequent to Jan. 20, 2012, has been disclaimed.

[\*\*] Term: **14 Years**

[21] Appl. No.: **56,305**

[22] Filed: **Jun. 26, 1996**

[51] LOC (6) Cl. .... **14-02**

[52] U.S. Cl. .... **D14/115**

[58] Field of Search ..... D14/100, 102, D14/107-109; D13/162, 184, 199; D6/432, 436, 445, 448; 312/208.1, 223.2, 254, 292; 360/99.12; 361/690-695, 680-685

[56] **References Cited**

**U.S. PATENT DOCUMENTS**

- D. 315,149 3/1991 Welch ..... D14/115
- D. 370,900 6/1996 Reiter ..... D14/115
- D. 371,351 7/1996 Lai ..... D14/115

*Primary Examiner*—Freda Nunn

*Attorney, Agent, or Firm*—Schwegman, Lundberg, Woessner & Kluth, P.A.

[57] **CLAIM**

The ornamental design for a front bezel for a tower personal computer, as shown and described.

**DESCRIPTION**

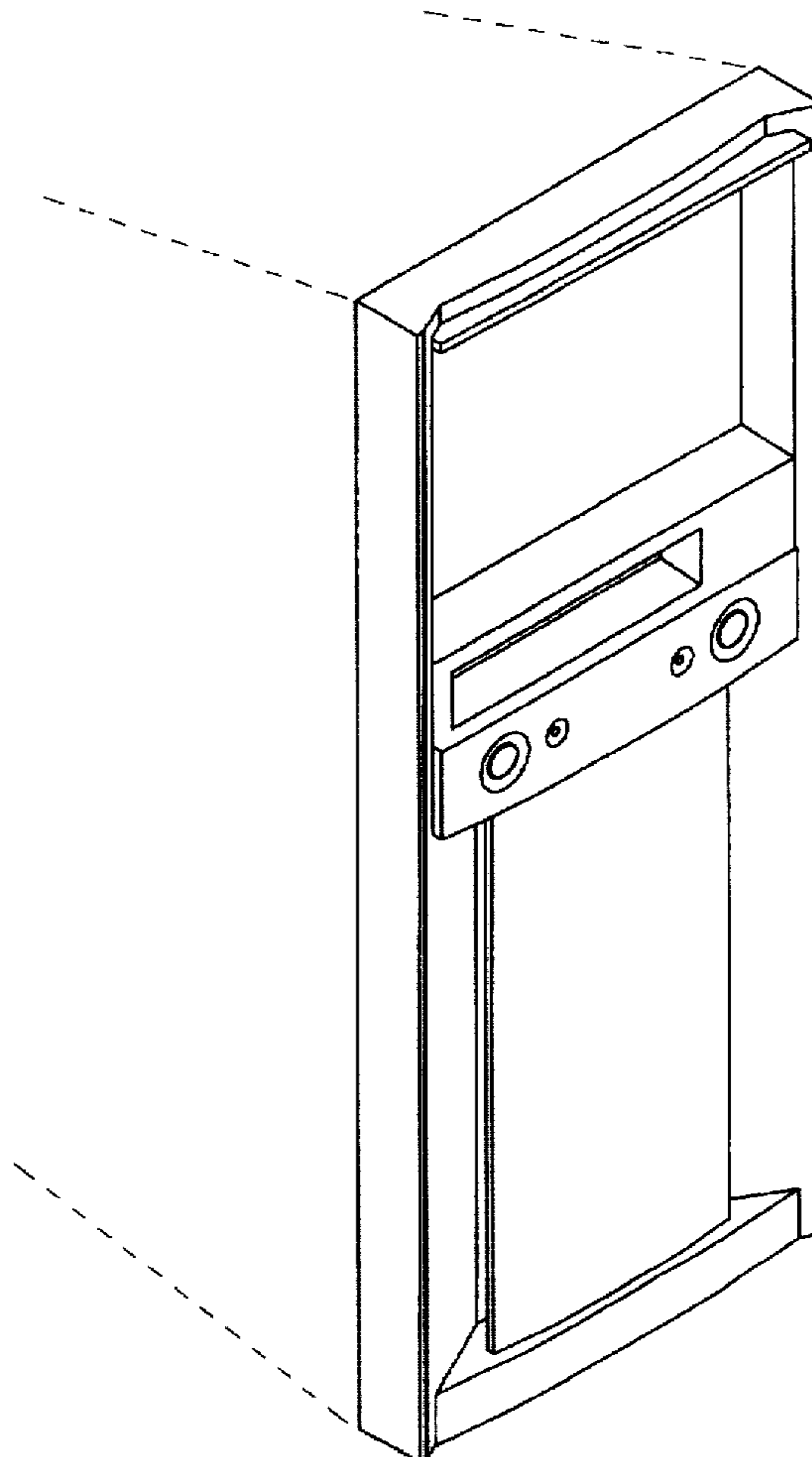
FIG. 1 is a front perspective view from above a front bezel for a tower personal computer, including the left side and the top, incorporating the new design;

FIG. 2 is a front perspective from below the front bezel of FIG. 1; and,

FIG. 3 is a front elevation of the front bezel of FIG. 1.

The undisclosed right side is identical to the left side. The broken lines are shown in the views for illustrative purposes only, and form no part of the claimed design.

**1 Claim, 3 Drawing Sheets**



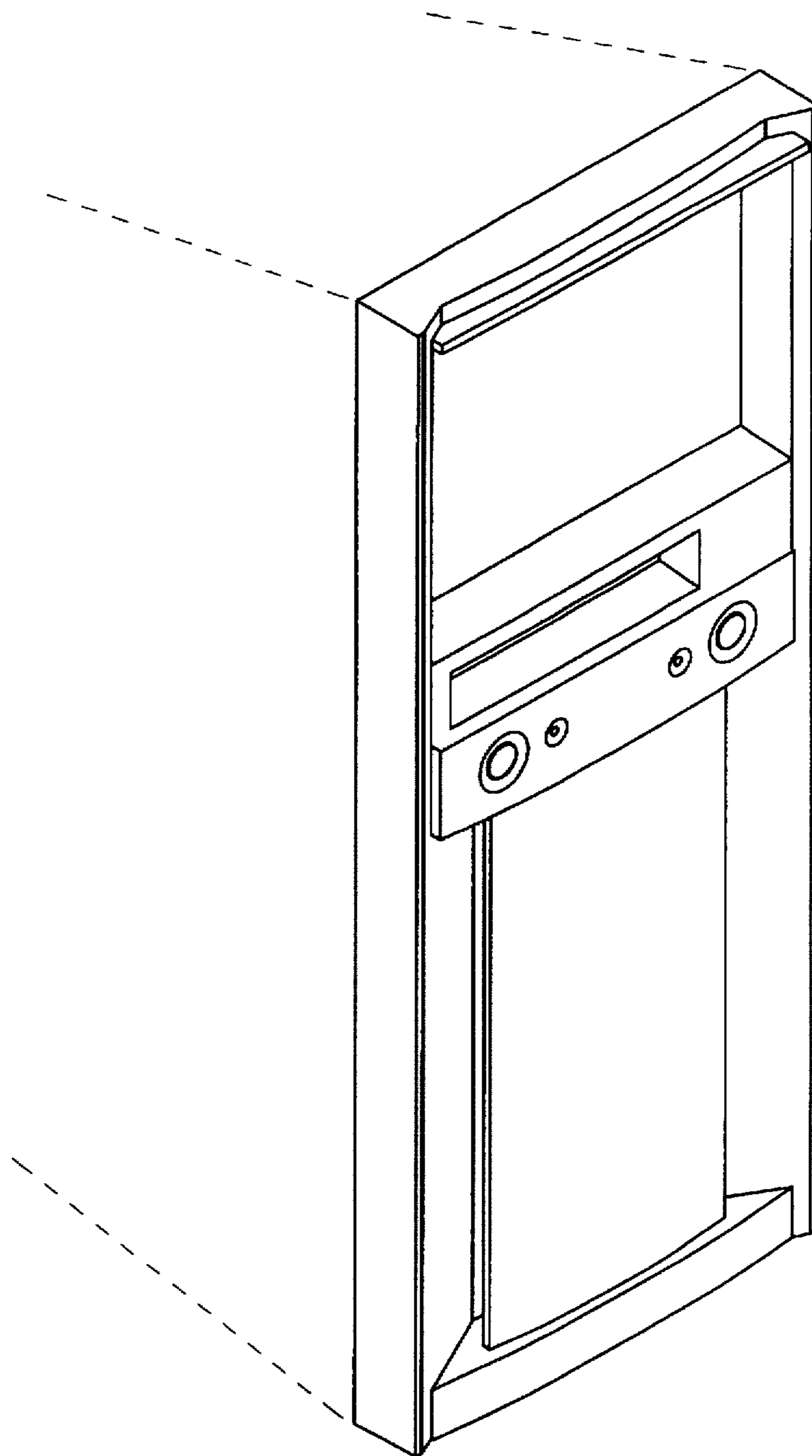


FIG. 1

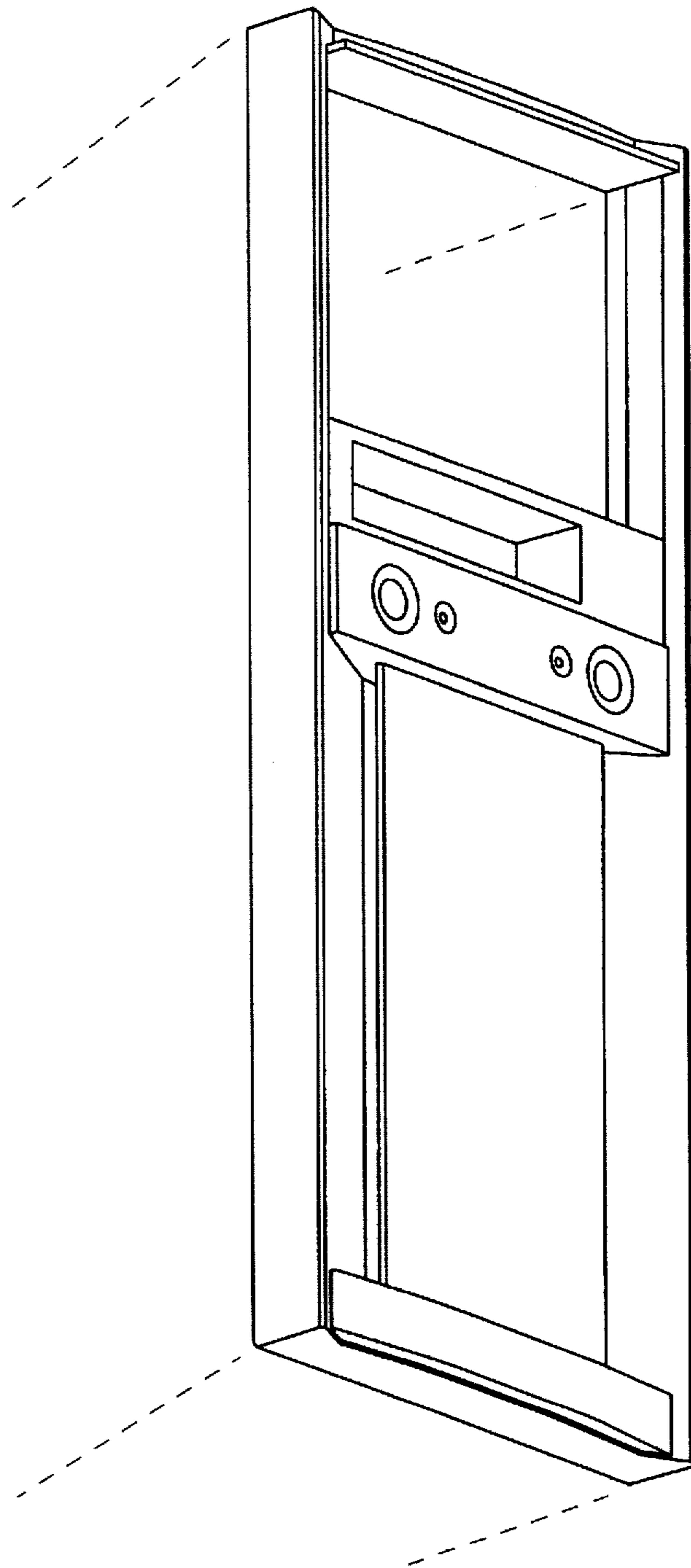


FIG. 2

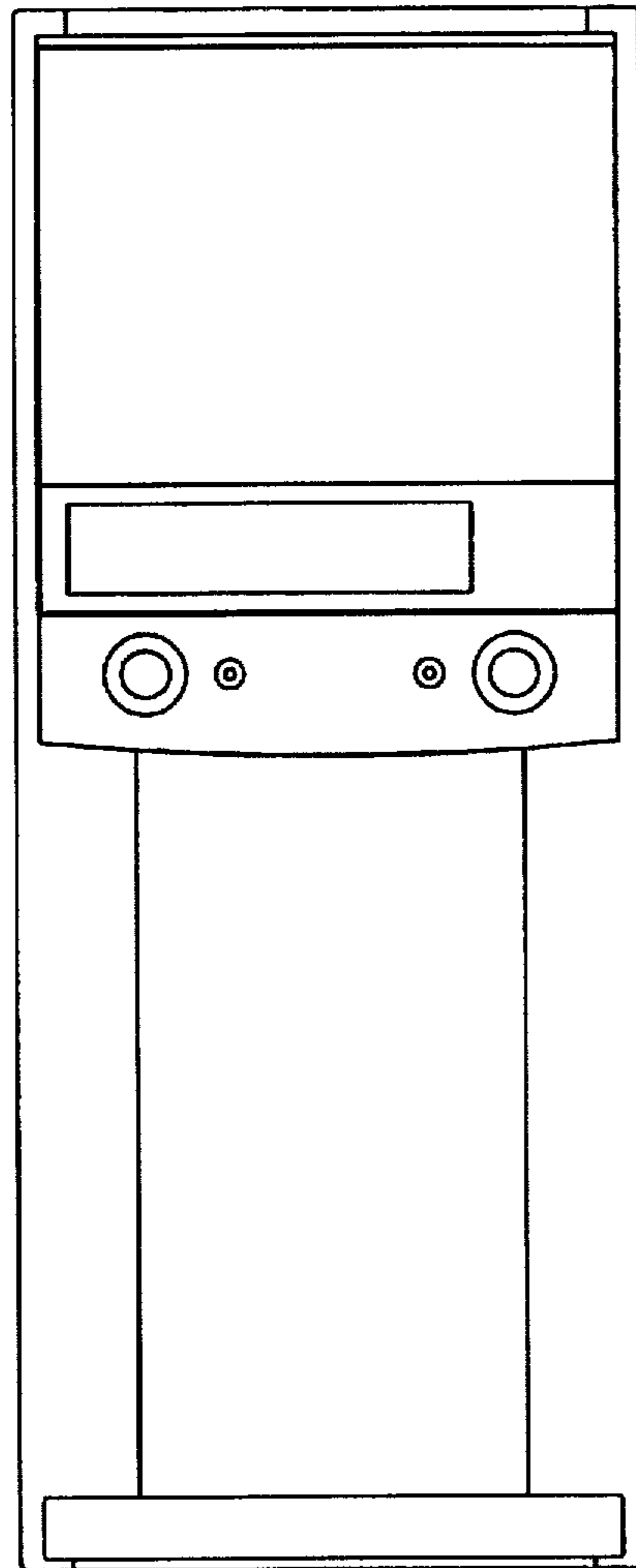


FIG. 3