



US00D390838S

# United States Patent [19]

Takeuchi et al.

[11] Patent Number: **Des. 390,838**

[45] Date of Patent: **\*\*Feb. 17, 1998**

[54] **PRESENTATION VIEWER**

[75] Inventors: **Katsuyuki Takeuchi, Osaka; Takashi Matsuda, Tokyo, both of Japan**

[73] Assignee: **NEC Corporation, Tokyo, Japan**

[\*\*] Term: **14 Years**

[21] Appl. No.: **63,379**

[22] Filed: **Dec. 6, 1996**

[30] **Foreign Application Priority Data**

Jun. 7, 1996 [JP] Japan ..... 8-16904

[51] LOC (6) Cl. .... **14-02**

[52] U.S. Cl. .... **D14/107; D16/221**

[58] Field of Search ..... D14/100, 105, D14/107-109; D16/221, 223, 224, 225, 233, 234, 235; 348/325, 333, 383; 353/115, 119, 122

[56] **References Cited**

**U.S. PATENT DOCUMENTS**

D. 327,878 7/1992 Fukutake et al. .... D14/107

- D. 348,070 6/1994 Vallilee ..... D14/107 X
- D. 352,304 11/1994 Zavracky et al. .... D16/235
- D. 358,138 5/1995 Koyanagi et al. .... D14/109
- D. 359,852 7/1995 Wicks ..... D14/109
- D. 368,255 3/1996 Sasaki et al. .... D14/107
- 5,402,308 3/1995 Koyanagi et al. .... 361/685

*Primary Examiner*—Freda Nunn  
*Attorney, Agent, or Firm*—Sughrue, Mion, Zinn, Macpeack & Seas, PLLC

[57] **CLAIM**

The ornamental design for a presentation viewer, as shown.

**DESCRIPTION**

FIG. 1 is a perspective view of the top, front and right side of a presentation viewer showing our new design; FIG. 2 is a top plan view thereof; FIG. 3 is a bottom plan view thereof; FIG. 4 is a right side elevational view thereof; FIG. 5 is a left side elevational view thereof; FIG. 6 is a rear elevational view thereof; and, FIG. 7 is a front elevational view thereof.

**1 Claim, 4 Drawing Sheets**

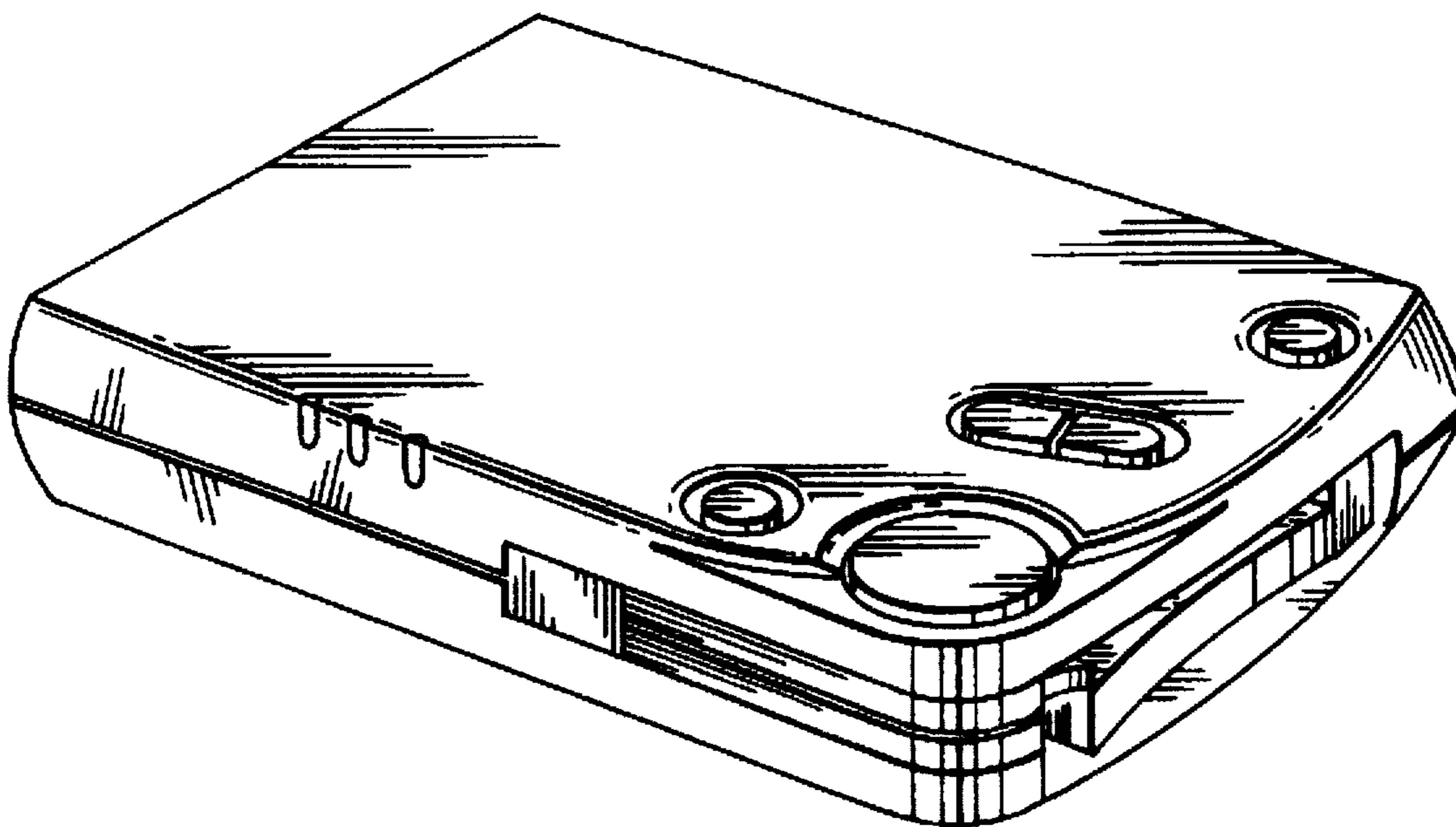


FIG. 1

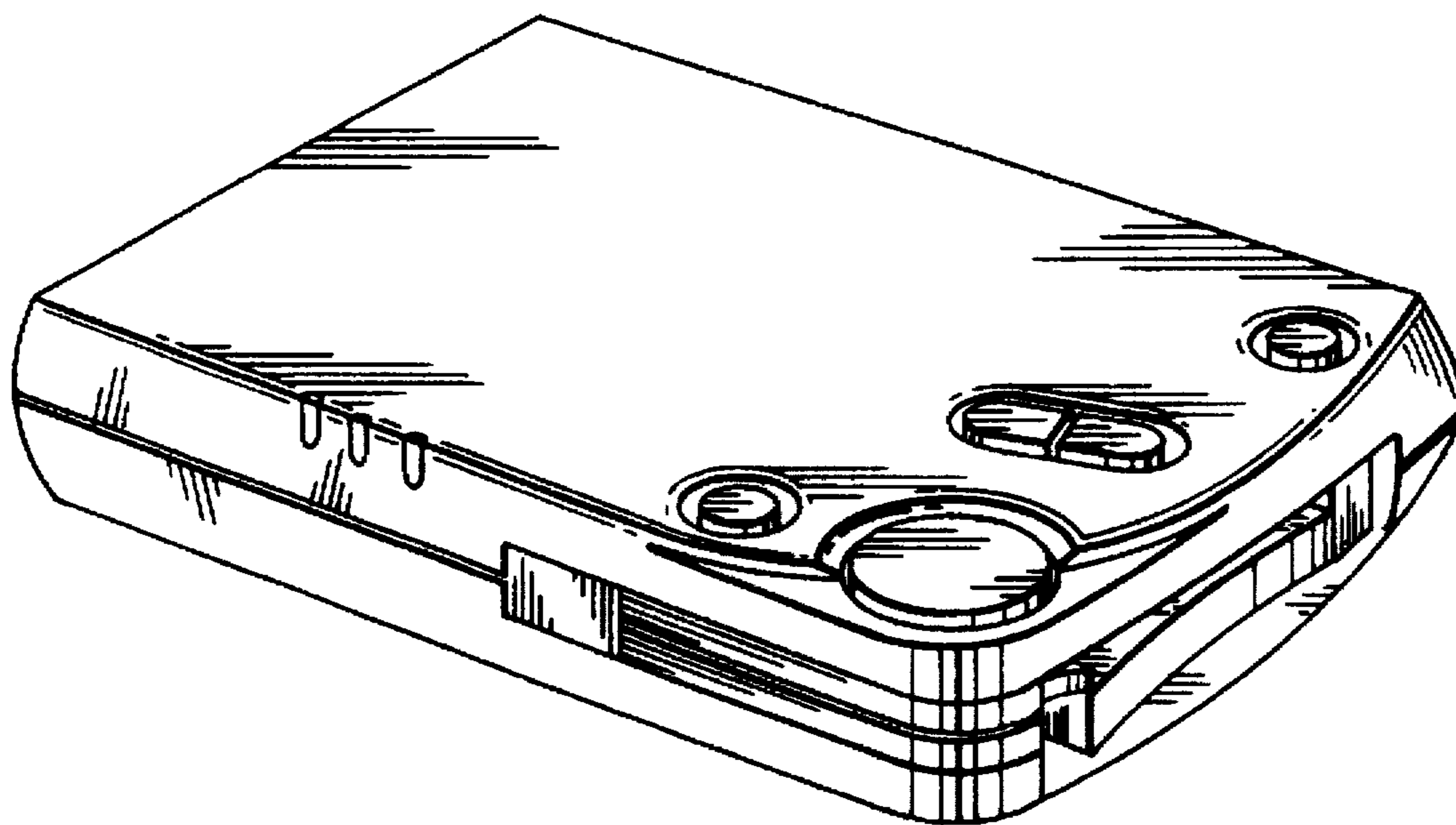


FIG. 2

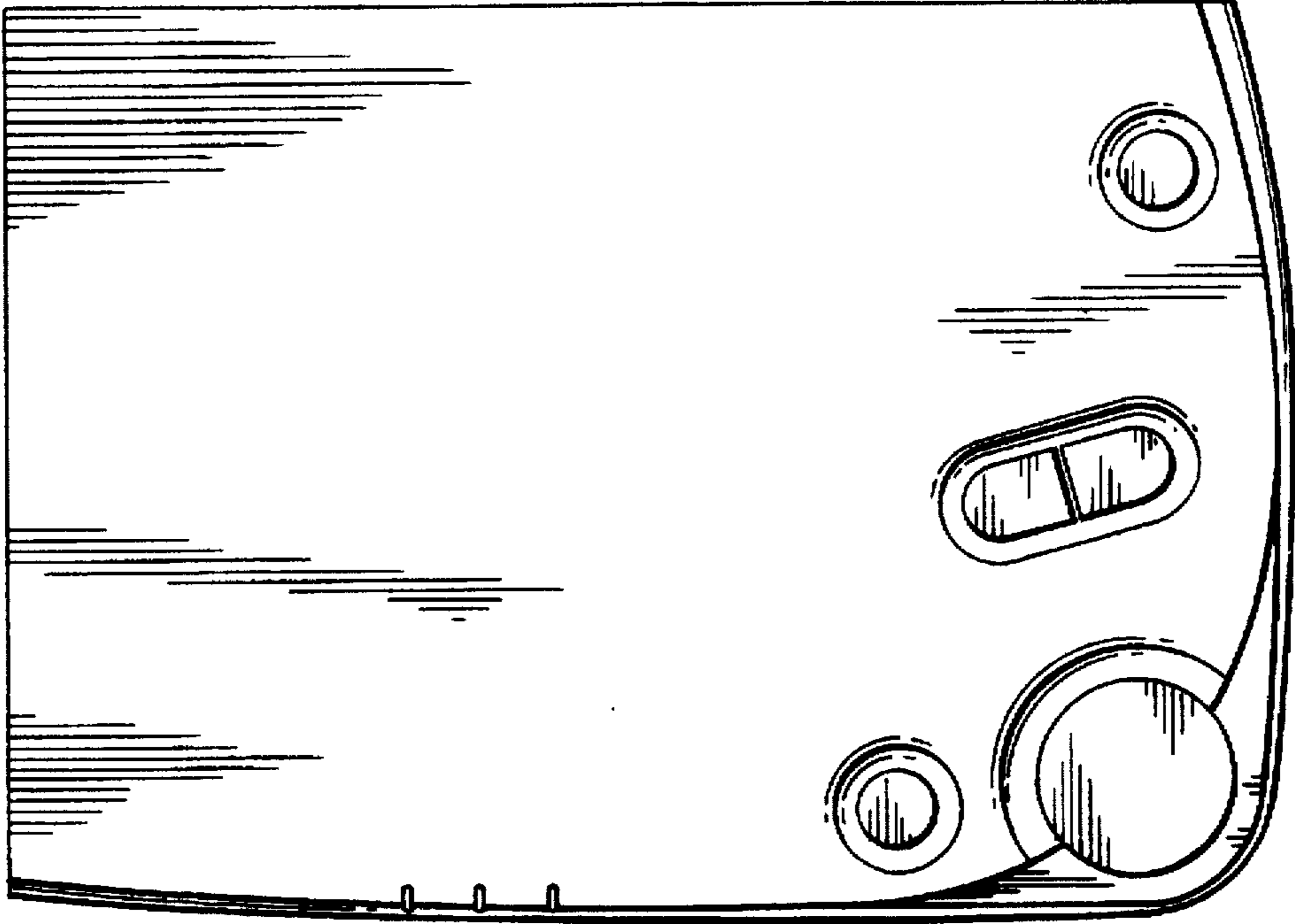
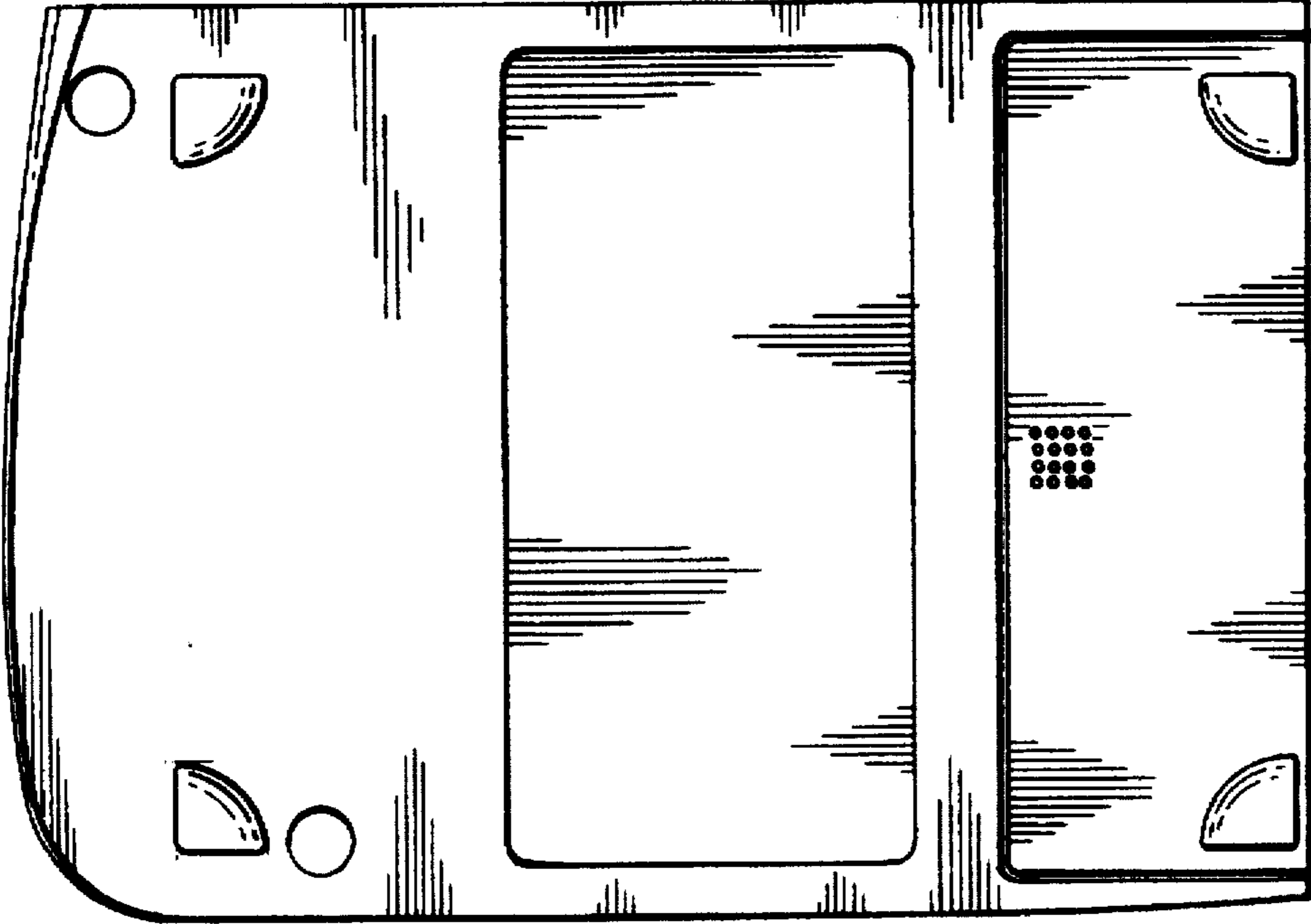
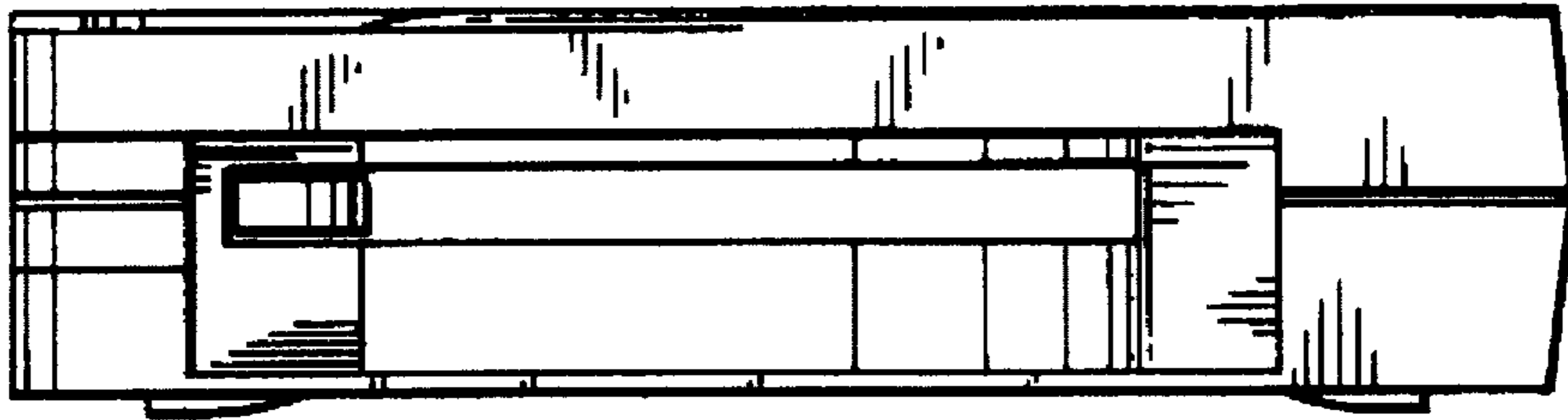


FIG. 3



**FIG. 4**



**FIG. 5**

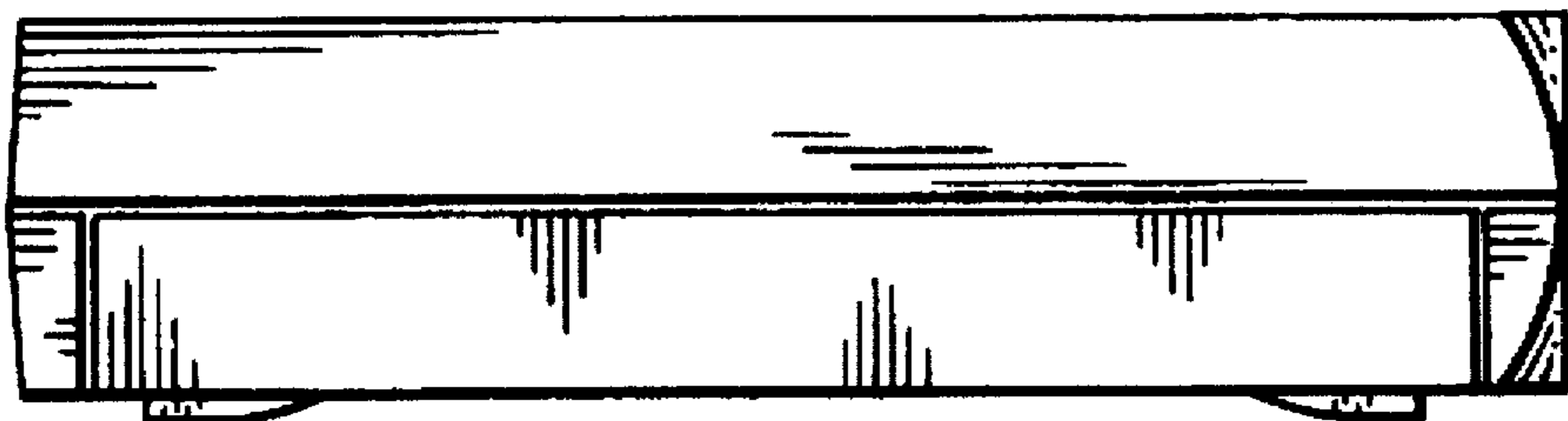


FIG. 6

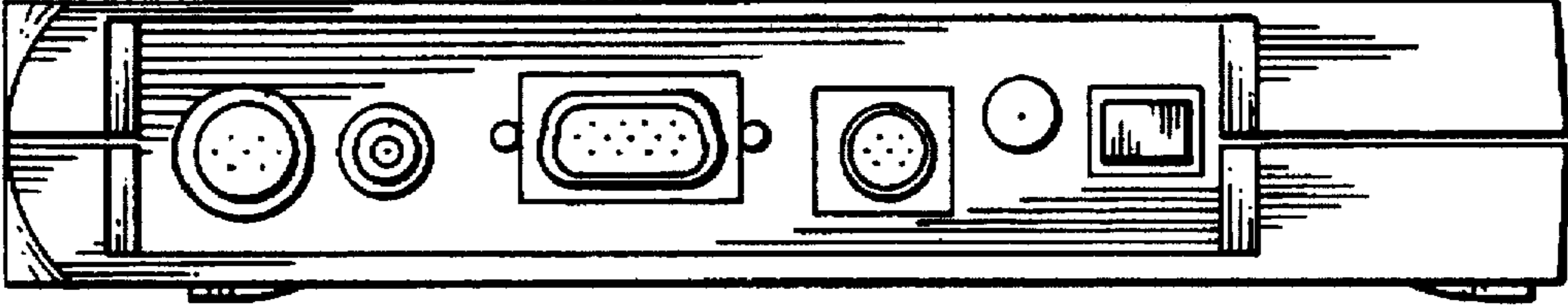


FIG. 7

