

US00D390834S

# United States Patent [19]

Dizon et al.

[11] Patent Number: **Des. 390,834**

[45] Date of Patent: **\*\*Feb. 17, 1998**

[54] **ELECTRICAL SWITCHGEAR ENCLOSURE FOR POWER DISTRIBUTION SYSTEMS**

[75] Inventors: **Edmund S. Dizon**, Chicago; **David H. Devonald, III**, Green Oaks; **Phillip J. Fahey**, Evanston, all of Ill.

[73] Assignee: **S&C Electric Company**, Chicago, Ill.

[\*\*] Term: **14 Years**

[21] Appl. No.: **58,957**

[22] Filed: **Aug. 29, 1996**

[51] LOC (6) Cl. .... **13-03**

[52] U.S. Cl. .... **D13/184**

[58] Field of Search ..... D13/184; D3/272, D3/273, 905; D9/423; 174/35 MS, 35 R, 48-65 G, 65 R, 76, 84 R; 200/50.02; 206/701; 220/3.2, 3.3, 3.8, 4.02; 361/600-678

[56] **References Cited**

**U.S. PATENT DOCUMENTS**

D. 238,978 2/1976 Getchell ..... D3/272

D. 308,854	6/1990	Fuhrmann et al. ....	D13/184
D. 336,849	6/1993	Golias .....	D9/423
D. 337,311	7/1993	Perzan et al. ....	D13/184 X
D. 360,877	8/1995	Ropponen et al. ....	D13/184
5,566,847	10/1996	Ali et al. ....	220/3.8 X
5,568,362	10/1996	Hansson .....	174/50 X

*Primary Examiner*—James Gandy  
*Assistant Examiner*—Cathron B. Matta  
*Attorney, Agent, or Firm*—James V. Lapacek

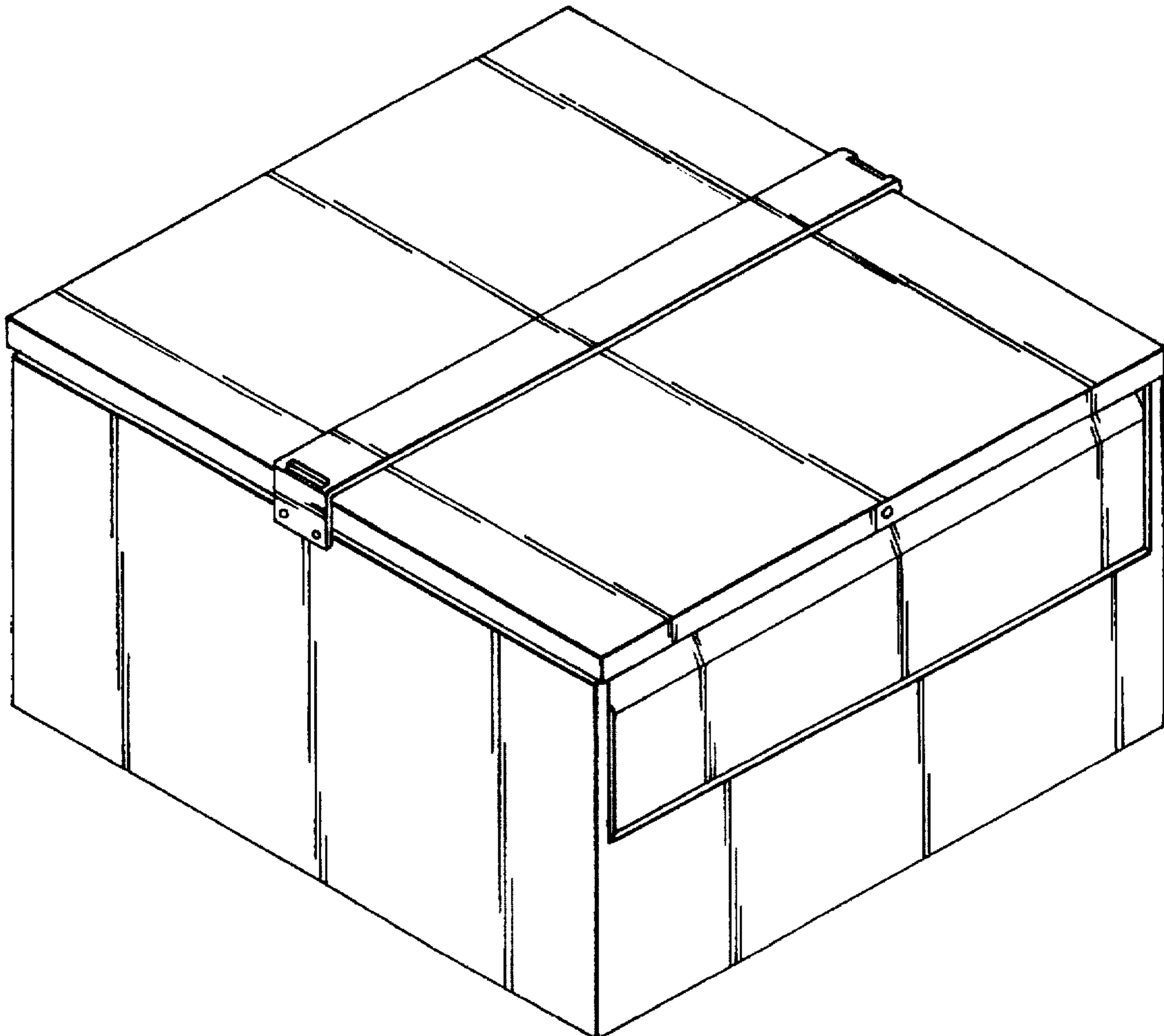
[57] **CLAIM**

The ornamental design for an electrical switchgear enclosure for power distribution systems, as shown and described.

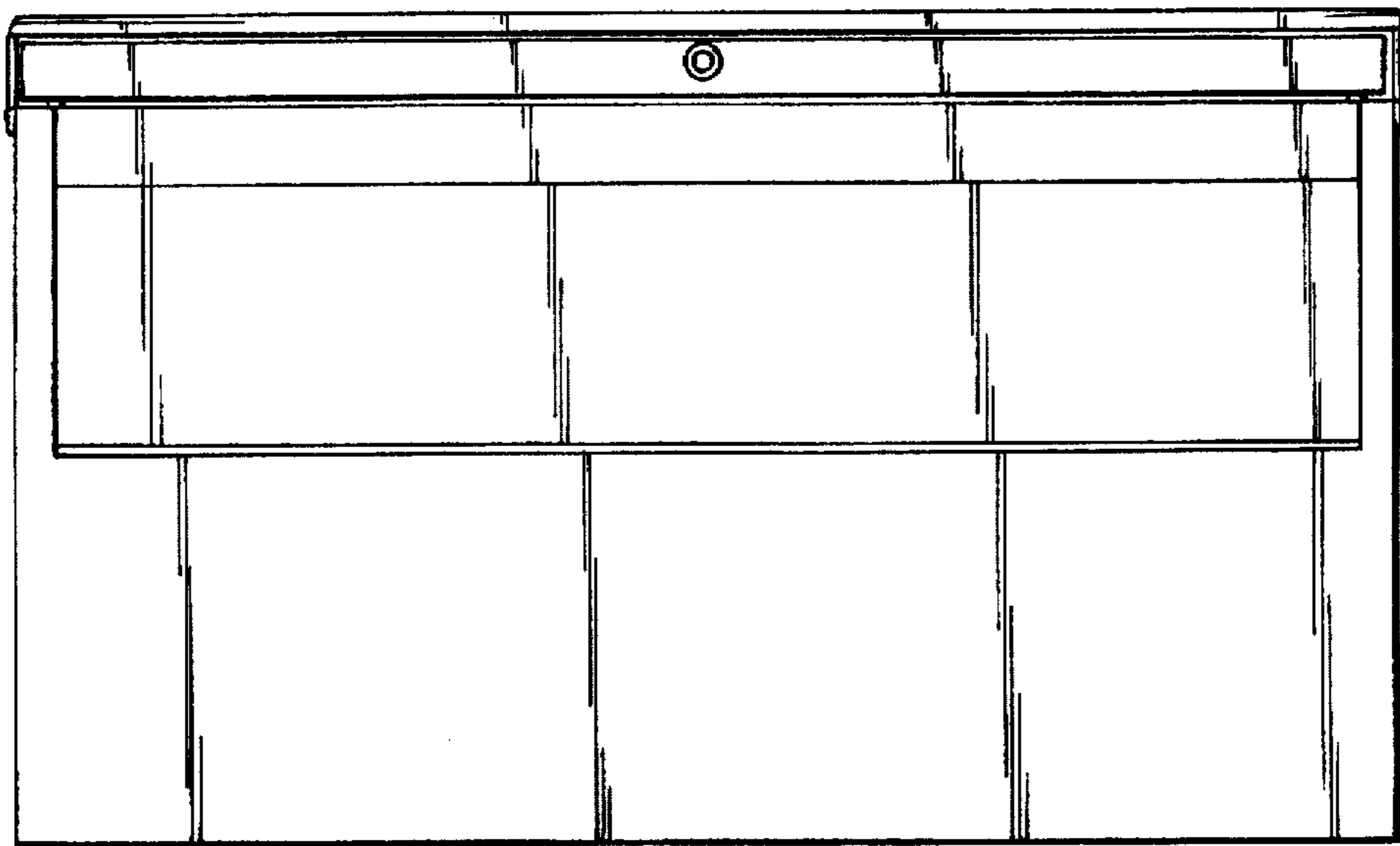
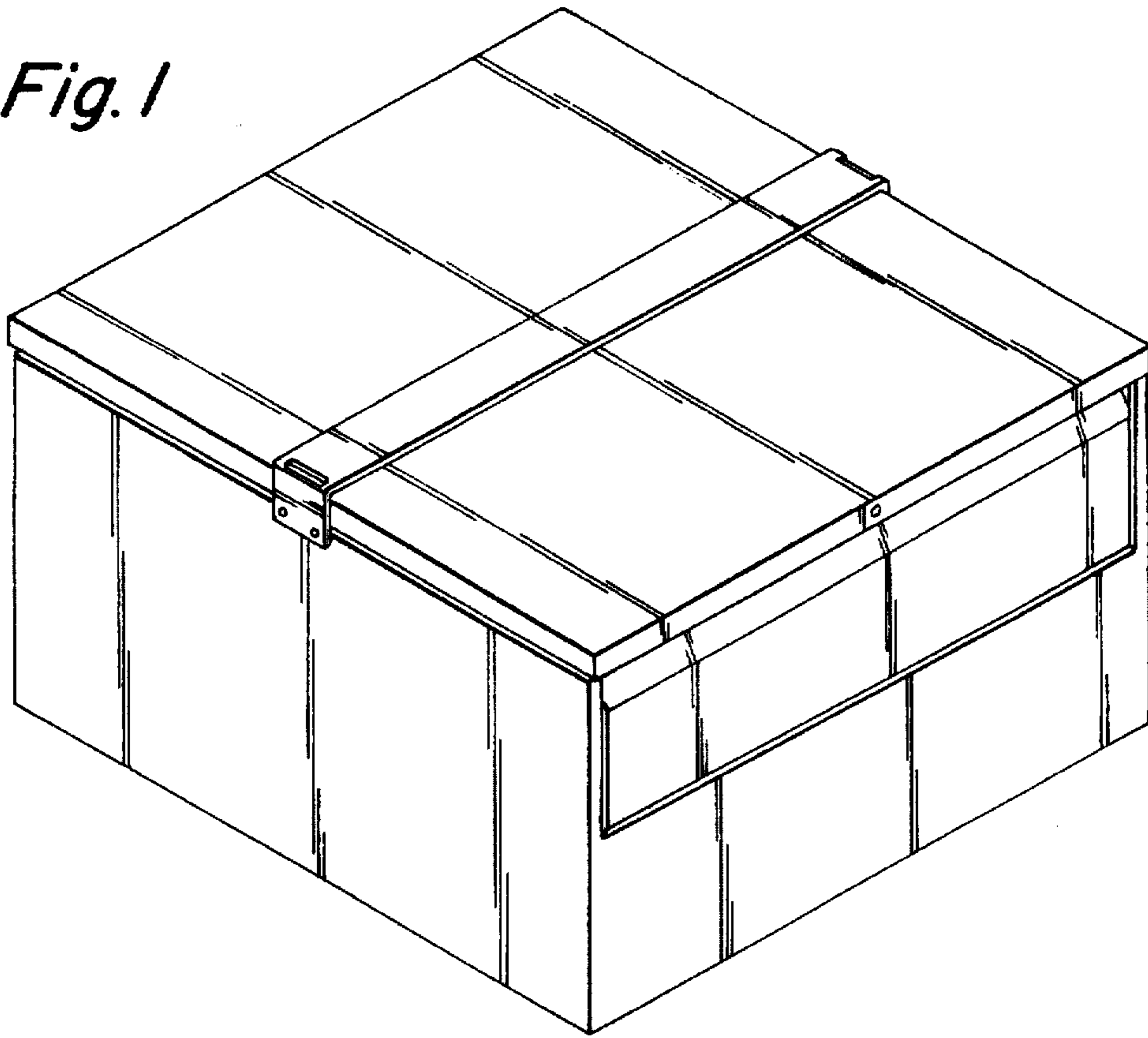
**DESCRIPTION**

FIG. 1 is a perspective view of an electrical switchgear enclosure for power distribution systems showing our new design; FIG. 2 is a front elevational view thereof, the rear elevational view being identical thereto; FIG. 3 is a right side elevational view thereof, the left side elevational view being identical thereto; and, FIG. 4 is top plan view thereof.

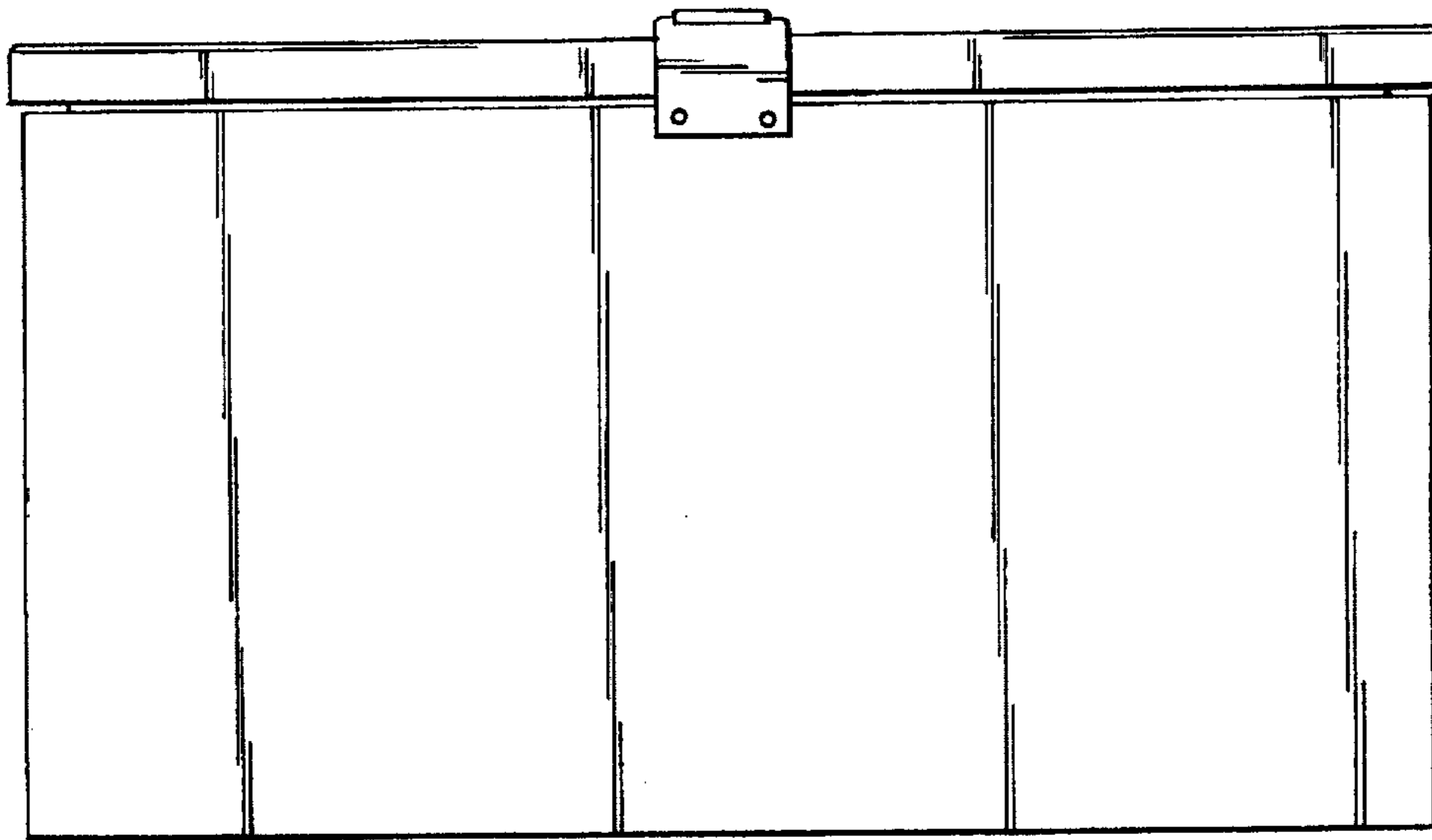
**1 Claim, 2 Drawing Sheets**



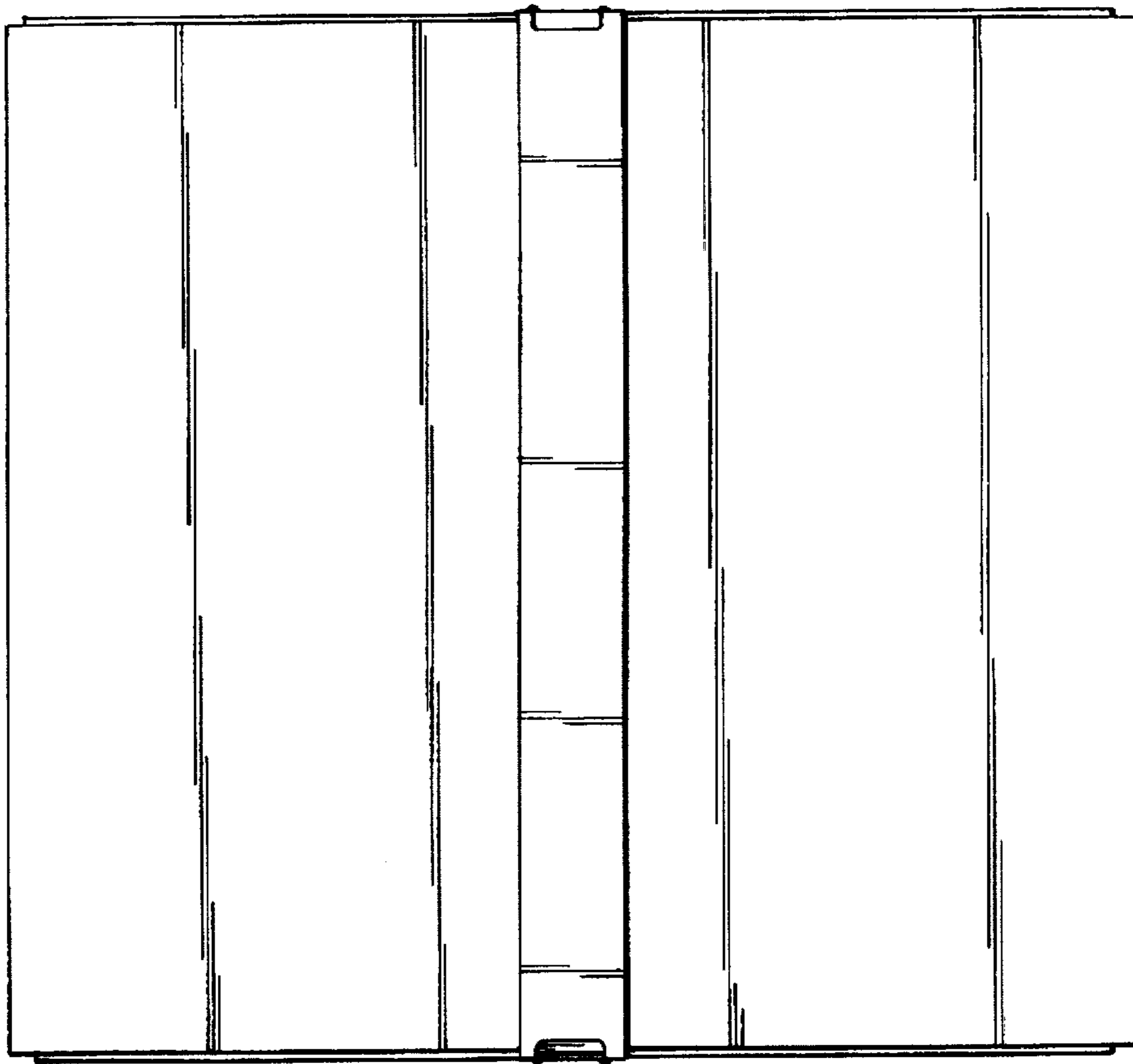
*Fig. 1*



*Fig. 2*



*Fig. 3*



*Fig. 4*