



US00D390831S

**United States Patent** [19]  
**Liang**

[11] **Patent Number: Des. 390,831**

[45] **Date of Patent: \*\*Feb. 17, 1998**

[54] **FUSE HOLDER**

[76] **Inventor: Shih-Tsung Liang**, No. 10, Lane 31,  
Ta-Feng St., Lu-chu Hsiang, Taoyuan  
County, Taiwan

[\*\*] **Term: 14 Years**

[21] **Appl. No.: 61,429**

[22] **Filed: Oct. 21, 1996**

[51] **LOC (6) Cl. .... 13-03**

[52] **U.S. Cl. .... D13/178**

[58] **Field of Search .... D13/161, 178;**  
337/186, 187, 194, 196, 213, 201; 439/357,  
367, 621, 622, 698

[56] **References Cited**

**U.S. PATENT DOCUMENTS**

|            |        |                      |         |
|------------|--------|----------------------|---------|
| D. 326,845 | 6/1992 | Katz et al. ....     | D13/160 |
| D. 336,463 | 6/1993 | Nimpoeno et al. .... | D13/161 |
| 3,609,639  | 9/1971 | Lind .....           | 439/367 |

*Primary Examiner*—James Gandy

*Assistant Examiner*—Cathron B. Matta

*Attorney, Agent, or Firm*—Morton J. Rosenberg; David I. Klein; Jun Y. Lee

[57] **CLAIM**

The ornamental design for a fuse holder, as shown and described.

**DESCRIPTION**

FIG. 1 is a perspective view of a fuse holder showing my new design;

FIG. 2 is a top plan view thereof;

FIG. 3 is a bottom plan view thereof;

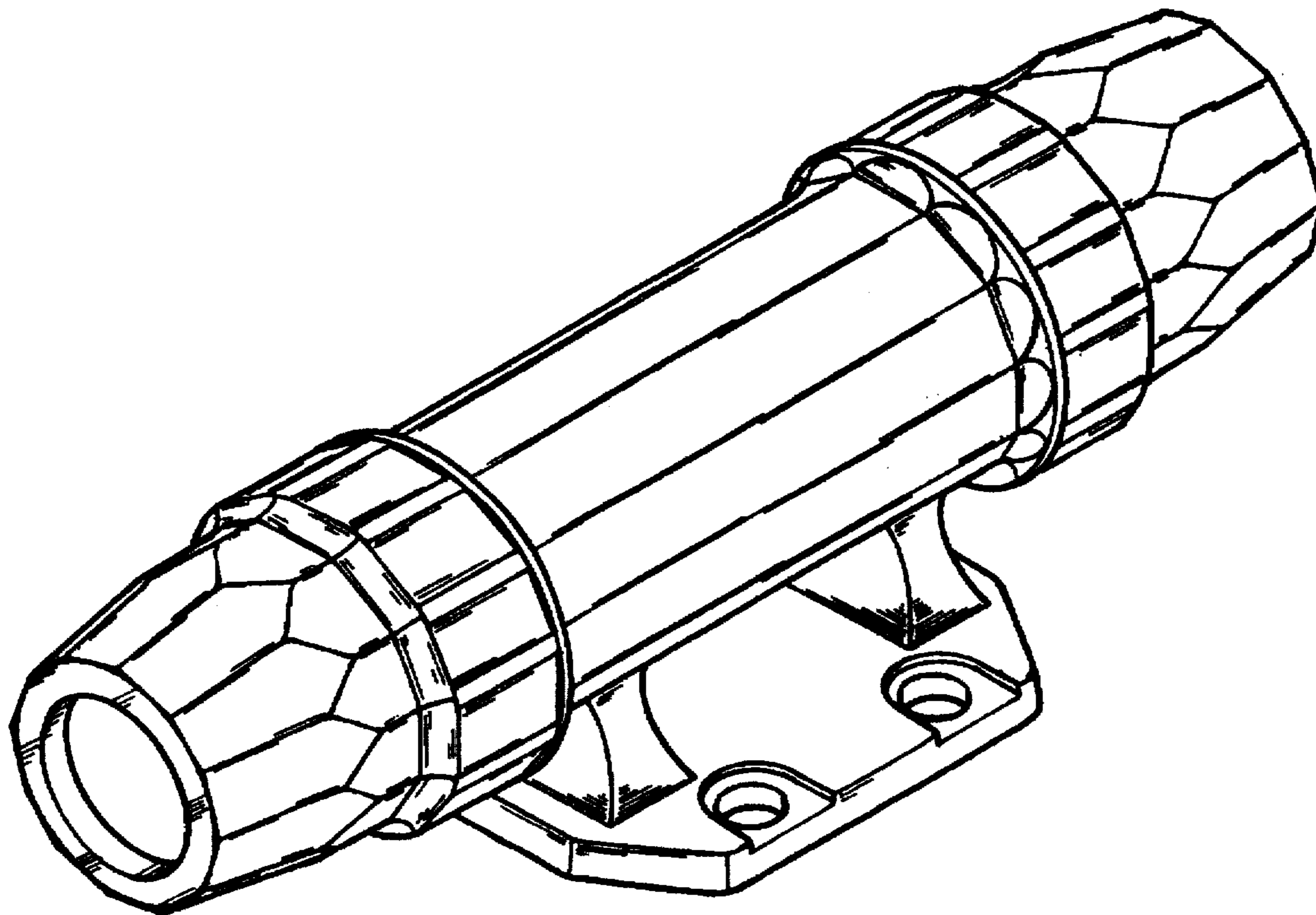
FIG. 4 is a front elevational view thereof;

FIG. 5 is a rear elevational view thereof;

FIG. 6 is a left side elevational view thereof; and,

FIG. 7 is a right side elevational view thereof.

**1 Claim, 4 Drawing Sheets**



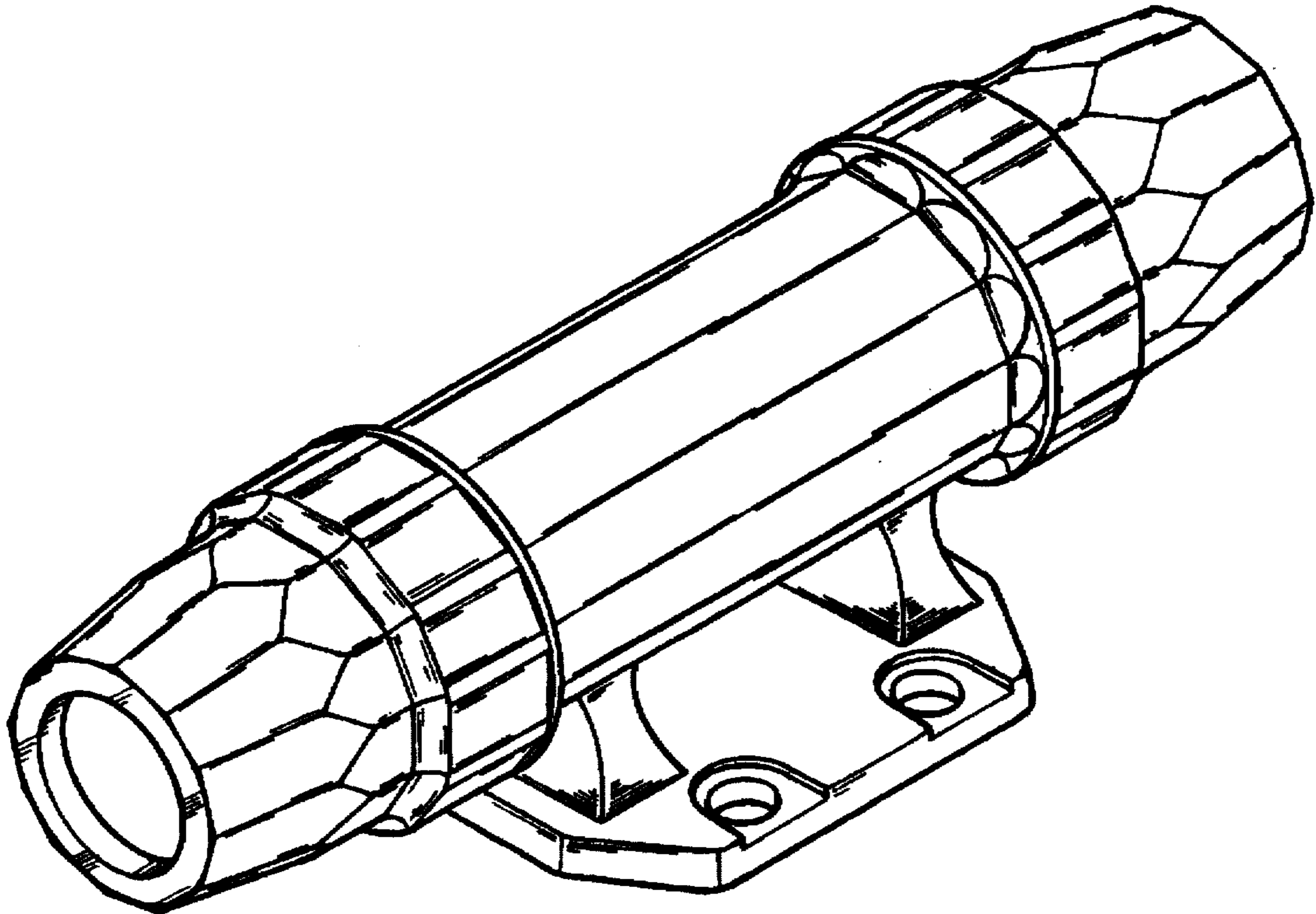


FIG. 1

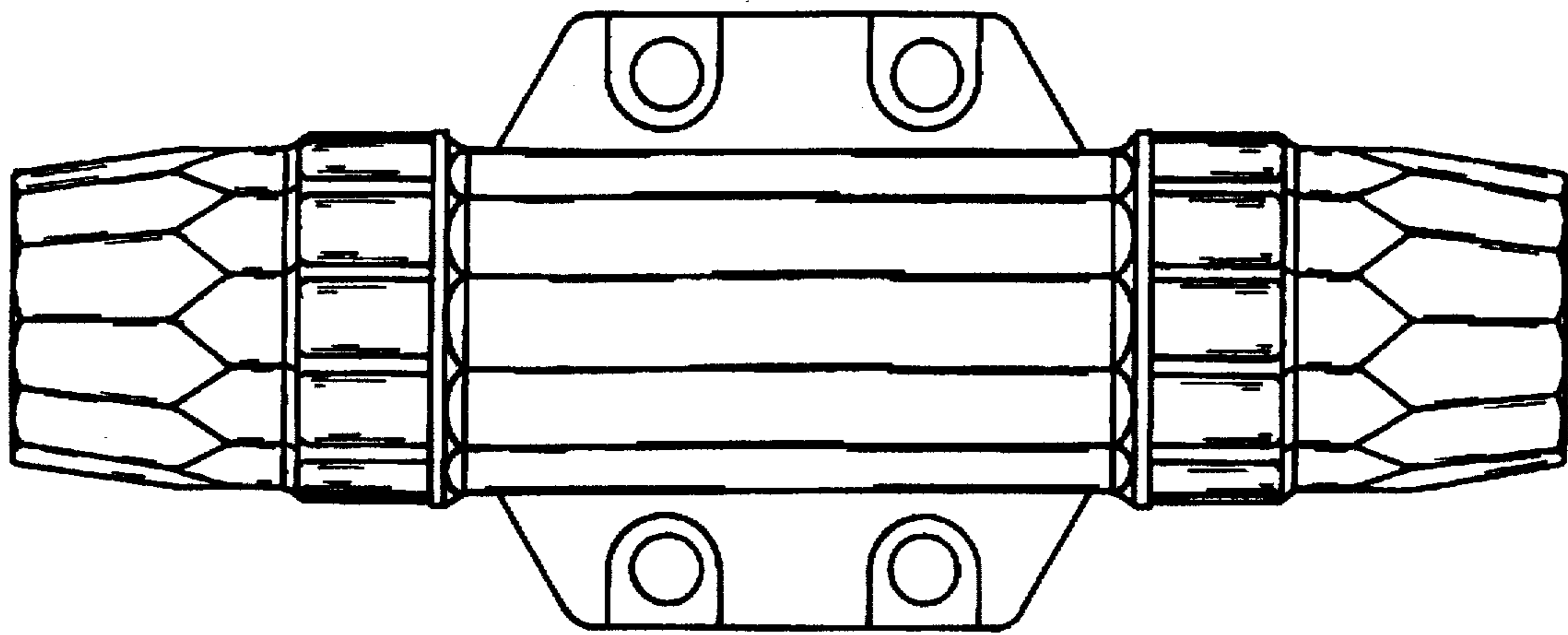


FIG. 2

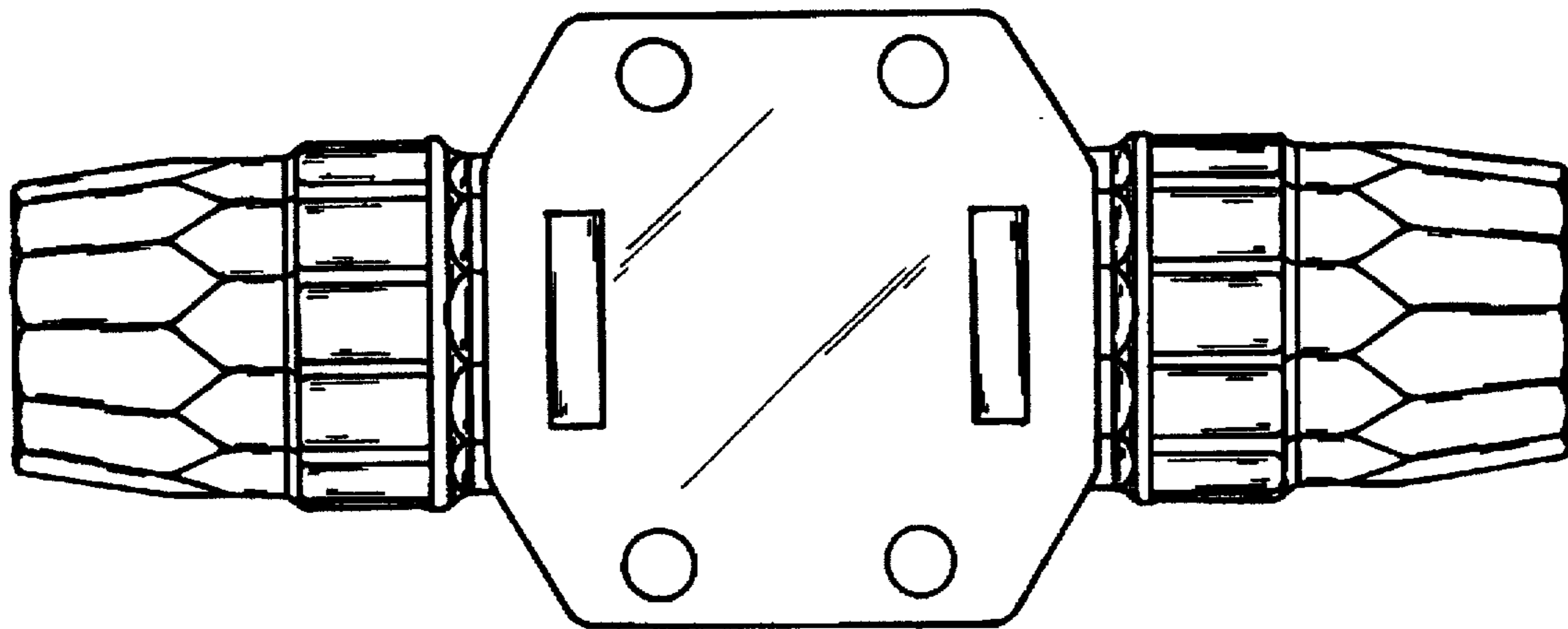


FIG. 3

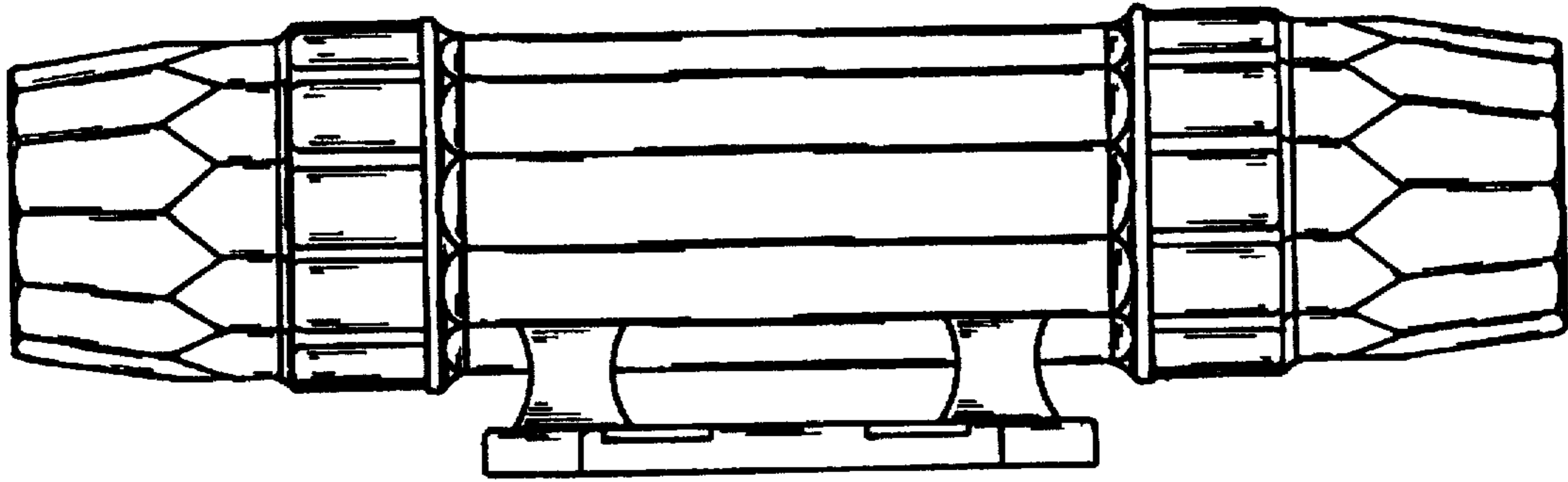


FIG. 4

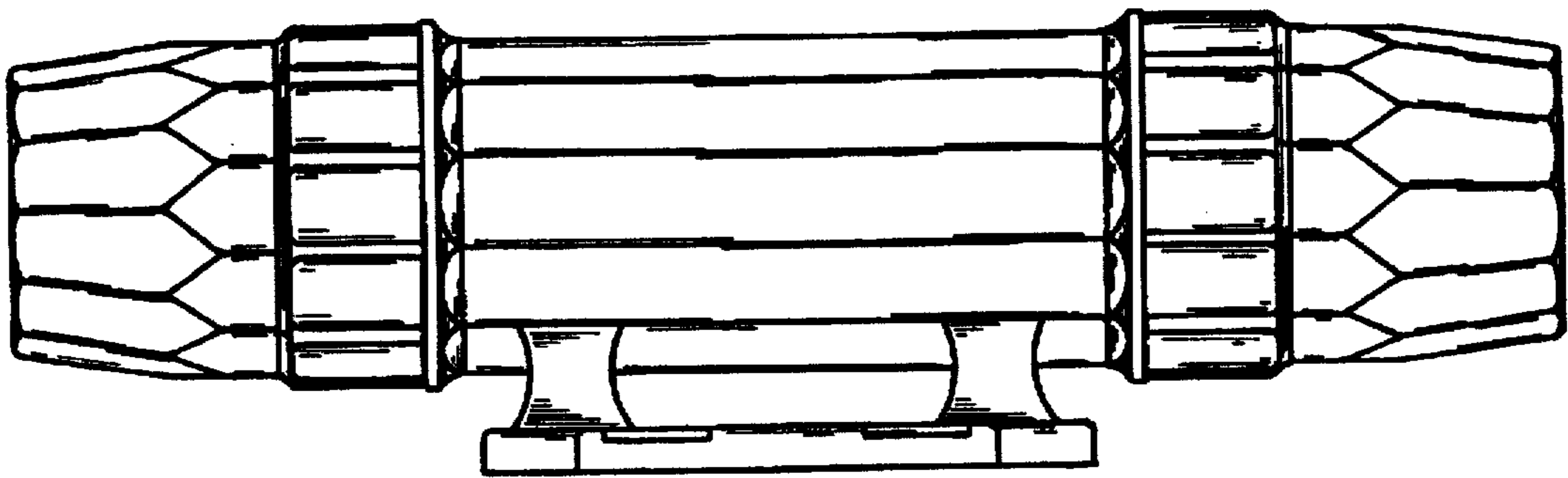


FIG. 5

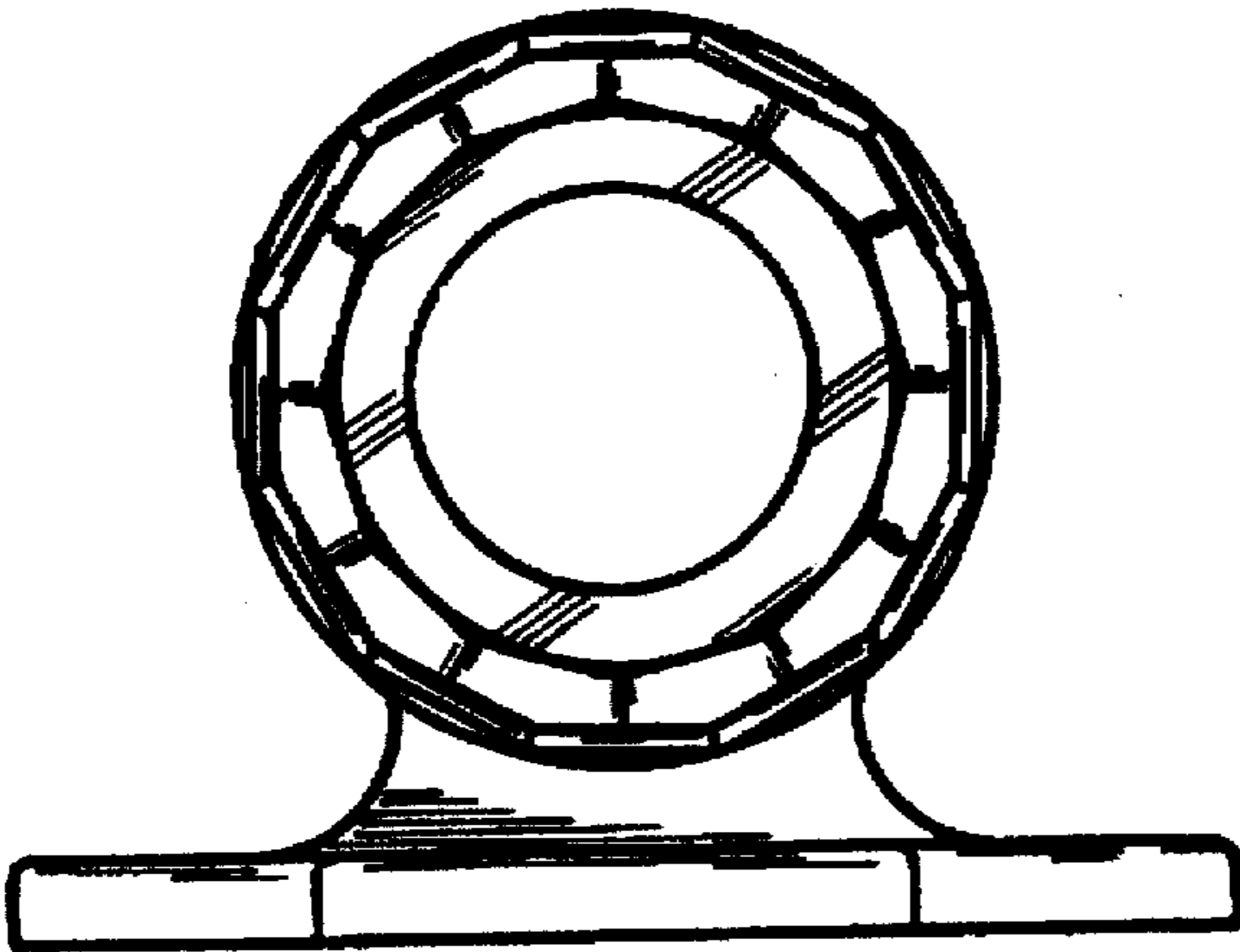


FIG. 6

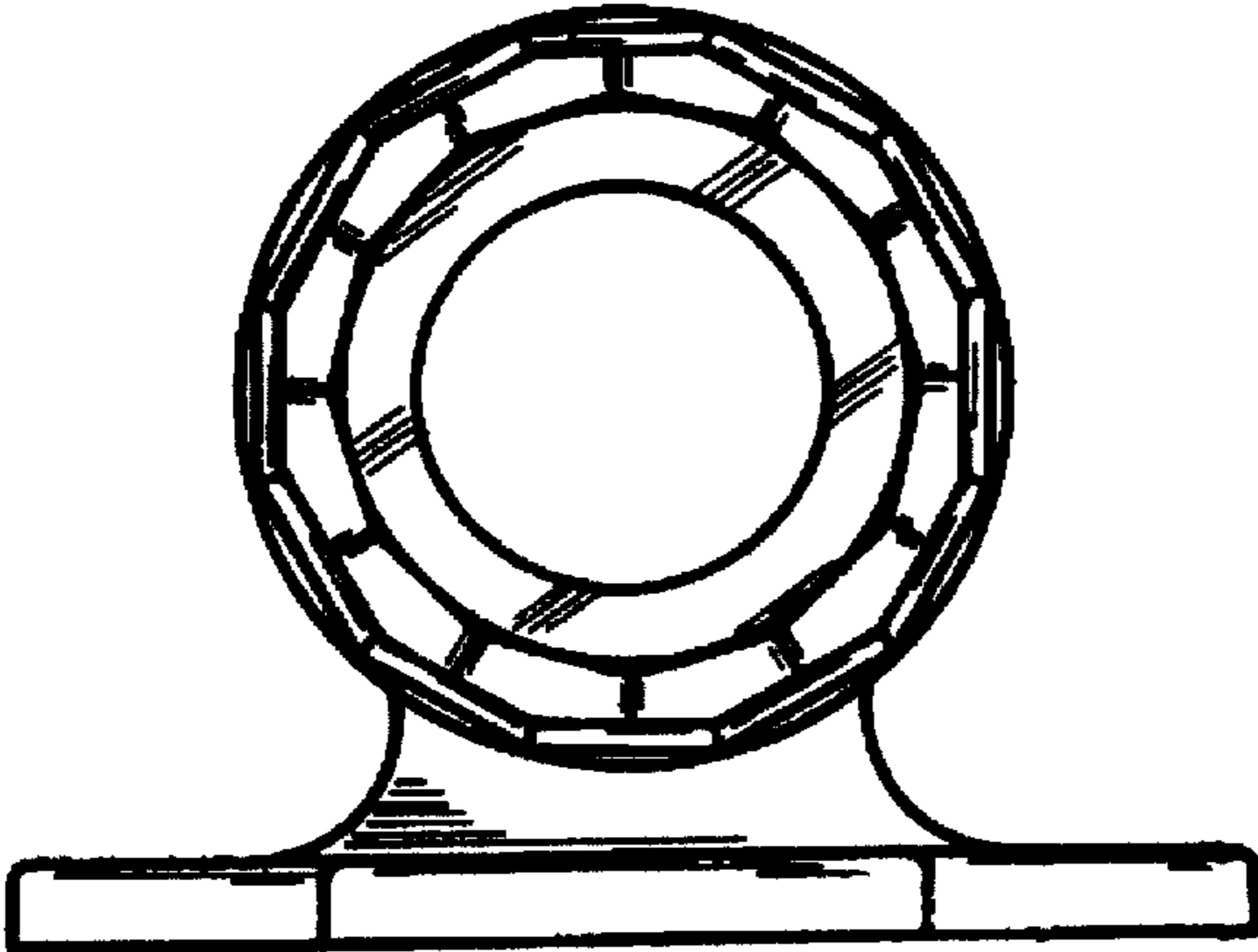


FIG. 7