



US00D390829S

United States Patent [19]

Kato

[11] Patent Number: **Des. 390,829**

[45] Date of Patent: ****Feb. 17, 1998**

[54] **PORTION OF A CONNECTOR FOR PRINTED CIRCUIT BOARDS**

863963 3/1993 Japan .
863964 3/1993 Japan .
952388 4/1996 Japan .

[75] Inventor: **Kokichi Kato**, Tokyo, Japan

OTHER PUBLICATIONS

[73] Assignee: **Kabushiki Kaisha Toshiba**, Kanagawa-ken, Japan

Catalog (CMP 1202) Hoshiden Corporaion, Nov. 17, 1994; Connectors, p. 4.

[**] Term: **14 Years**

Primary Examiner—Alan P. Douglas
Assistant Examiner—Lavone D. Tabor
Attorney, Agent, or Firm—Banner & Witcoff, Ltd.

[21] Appl. No.: **60,922**

[22] Filed: **Oct. 10, 1996**

[57] CLAIM

[30] Foreign Application Priority Data

Apr. 25, 1996 [JP] Japan 8-12112

The ornamental design for a portion of a connector for printed circuit boards, as shown and described.

[51] **LOC (6) Cl.** **13-03**

DESCRIPTION

[52] **U.S. Cl.** **D13/147**

FIG. 1 is a top, front and left side perspective view of a portion of a connector for printed circuit boards showing my new design;

[58] **Field of Search** D13/133, 146, D13/147; 439/346, 350, 352, 607-610, 676, 677, 680, 681

FIG. 2 is a front elevational view thereof;

FIG. 3 is a rear elevational view thereof;

FIG. 4 is a top plan view thereof;

FIG. 5 is a bottom plan view thereof;

FIG. 6 is a left side elevational view thereof; and,

FIG. 7 is a right side elevational view thereof.

The broken line showing an additional fitting and the remainder of the cord in FIG. 1 and the interior of the cord in FIG. 7 is for illustrative purpose and forms no part of the claimed design.

[56] References Cited

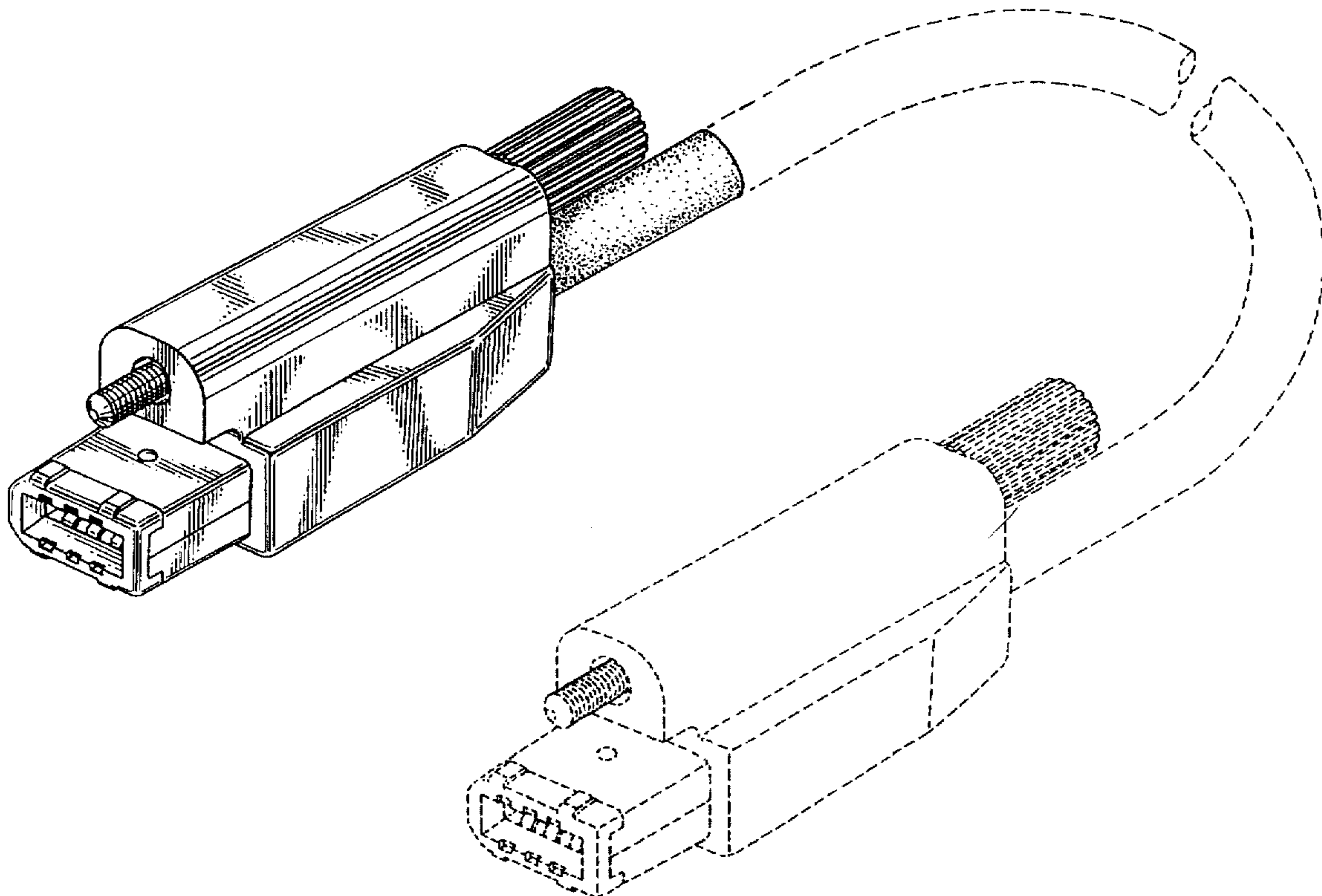
U.S. PATENT DOCUMENTS

D. 378,209 2/1997 Morikawa et al. D13/147
4,981,447 1/1991 Ichitsu bu 439/607
5,267,882 12/1993 Davis 439/680
5,397,246 3/1995 Defibaugh et al. 439/352

FOREIGN PATENT DOCUMENTS

780931 2/1990 Japan .
807323 2/1991 Japan .

1 Claim, 3 Drawing Sheets



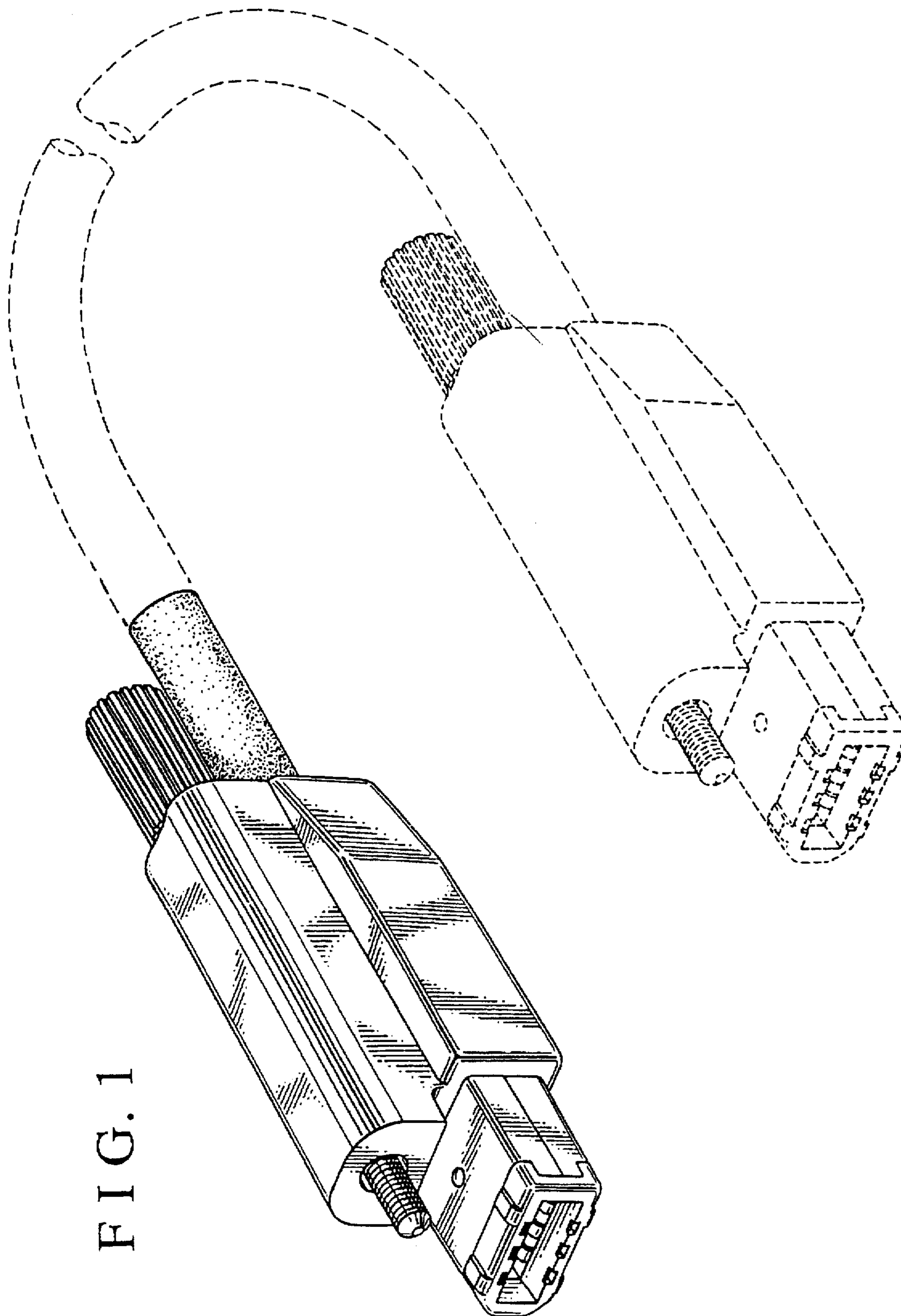


FIG. 1

FIG. 2

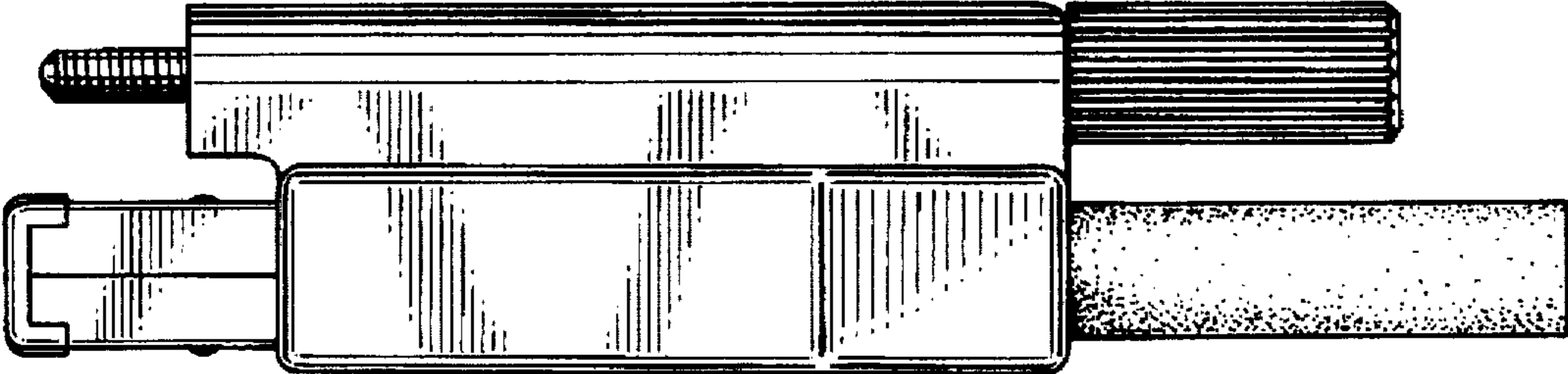


FIG. 3

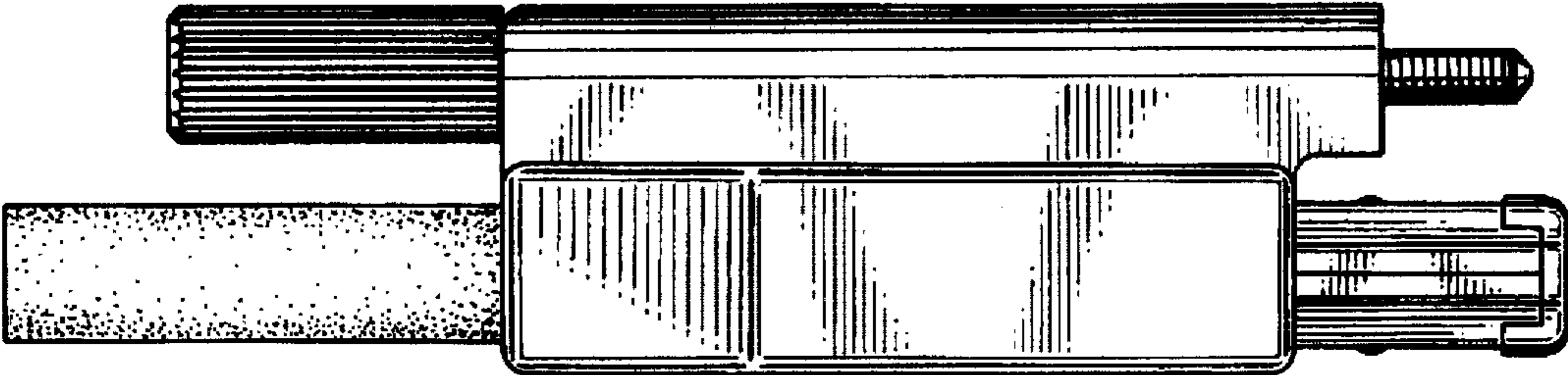


FIG. 4

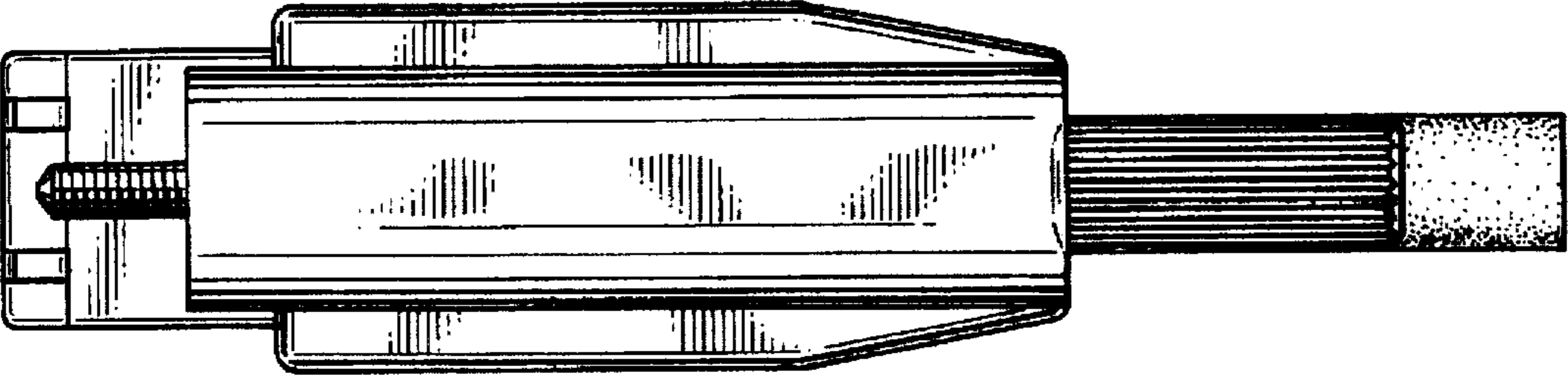


FIG. 5

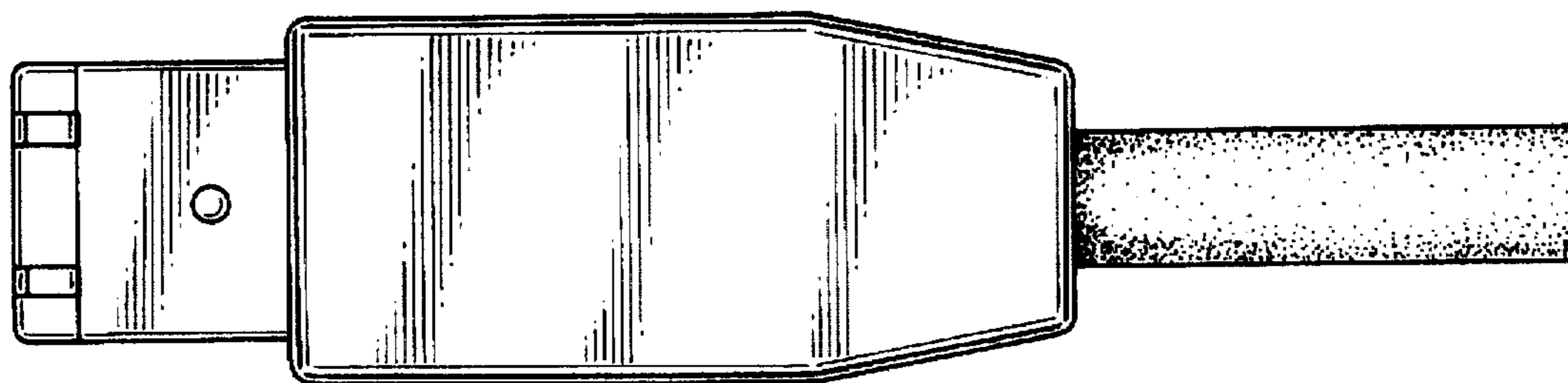


FIG. 6

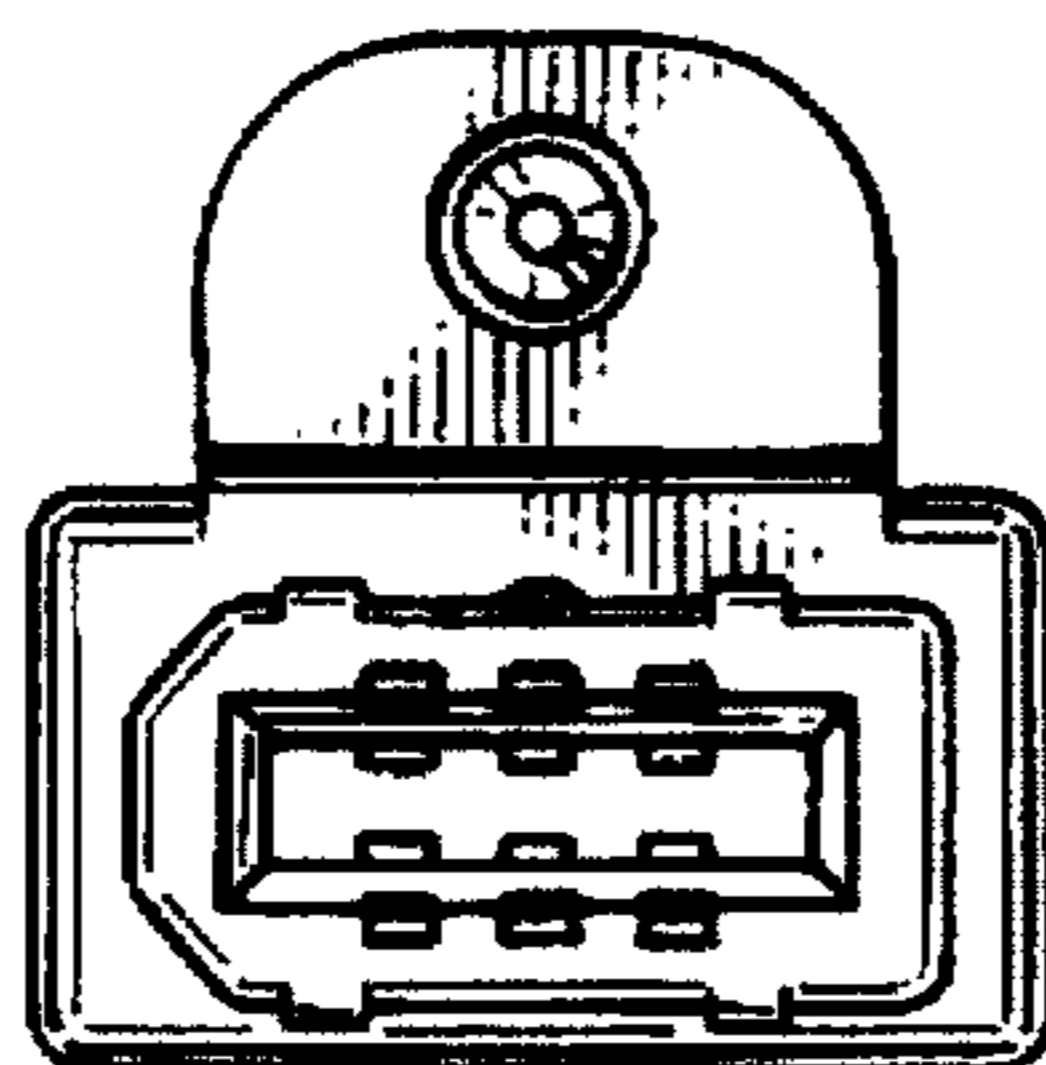


FIG. 7

