



US00D390828S

# United States Patent [19] Aramaki

[11] Patent Number: Des. 390,828  
[45] Date of Patent: \*\*Feb. 17, 1998

[54] CONNECTOR FOR A COMPUTER GAME

[75] Inventor: Keiji Aramaki, Tokyo, Japan

[73] Assignee: Sony Corporation, Tokyo, Japan

[\*\*] Term: 14 Years

[21] Appl. No.: 51,322

[22] Filed: Jan. 23, 1996

[51] LOC (6) Cl. .... 13-03

[52] U.S. Cl. .... D13/147

[58] Field of Search ..... D13/146, 147;  
439/59, 62, 61, 325, 630, 632, 634, 497,  
607

[56] **References Cited**

**U.S. PATENT DOCUMENTS**

D. 295,971	5/1988	Kikuta	.....	D13/147
D. 371,541	7/1996	Ezaki	.....	D13/147
4,479,686	10/1984	Hoshino et al.	.....	339/17 LC
4,487,464	12/1984	Kirschenbaum	.....	339/19
4,586,254	5/1986	Ammon et al.	.....	339/17 L X
4,645,277	2/1987	Kikuchi et al.	.....	339/17 LM
4,695,111	9/1987	Grabbe et al.	.....	439/630 X
5,052,936	10/1991	Biechler et al.	.....	439/630 X

5,316,486	5/1994	Tanaka et al.	.....	439/62
5,449,297	9/1995	Bellom et al.	.....	439/630
5,507,651	4/1996	Tanaka et al.	.....	439/632 X

**OTHER PUBLICATIONS**

Edge card connector on p. 220 of DuPont Connector SystemsCat. No. 86 A, May 1986.  
52045 Series connector on p. 6G of Molex Cat. No. 890, Mar. 1991.

*Primary Examiner*—Joel Sincavage  
*Attorney, Agent, or Firm*—Foley & Lardner

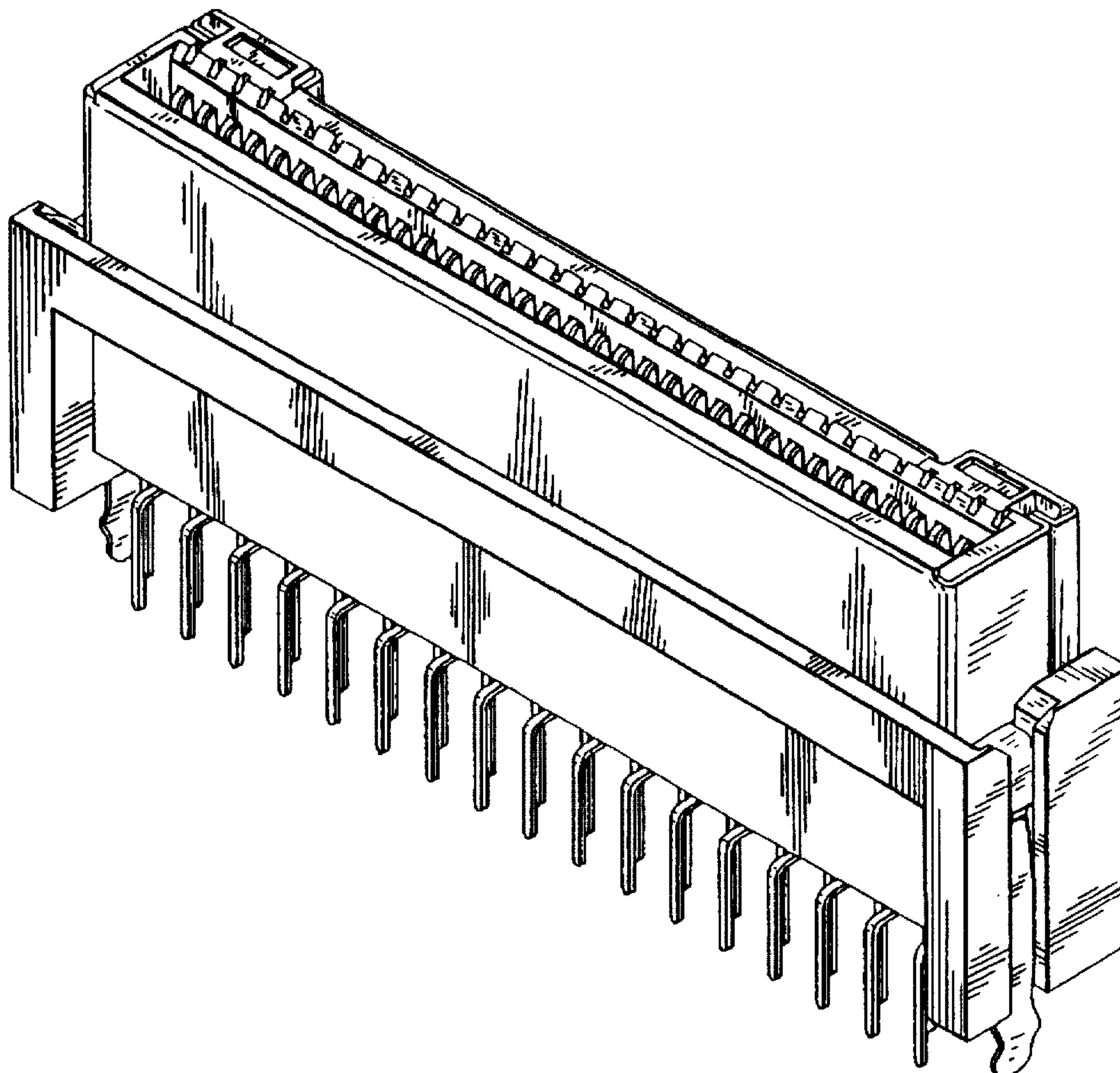
[57] **CLAIM**

The ornamental design for a connector for a computer game, as shown and described.

**DESCRIPTION**

FIG. 1 is a perspective view of a connector for computer game showing my new design;  
FIG. 2 is a top plan view thereof;  
FIG. 3 is a front elevational view thereof;  
FIG. 4 is a right side elevational view thereof, the left side elevational view being a mirror image thereof;  
FIG. 5 is a bottom plan view thereof; and,  
FIG. 6 is a rear elevation view thereof.

**1 Claim, 3 Drawing Sheets**



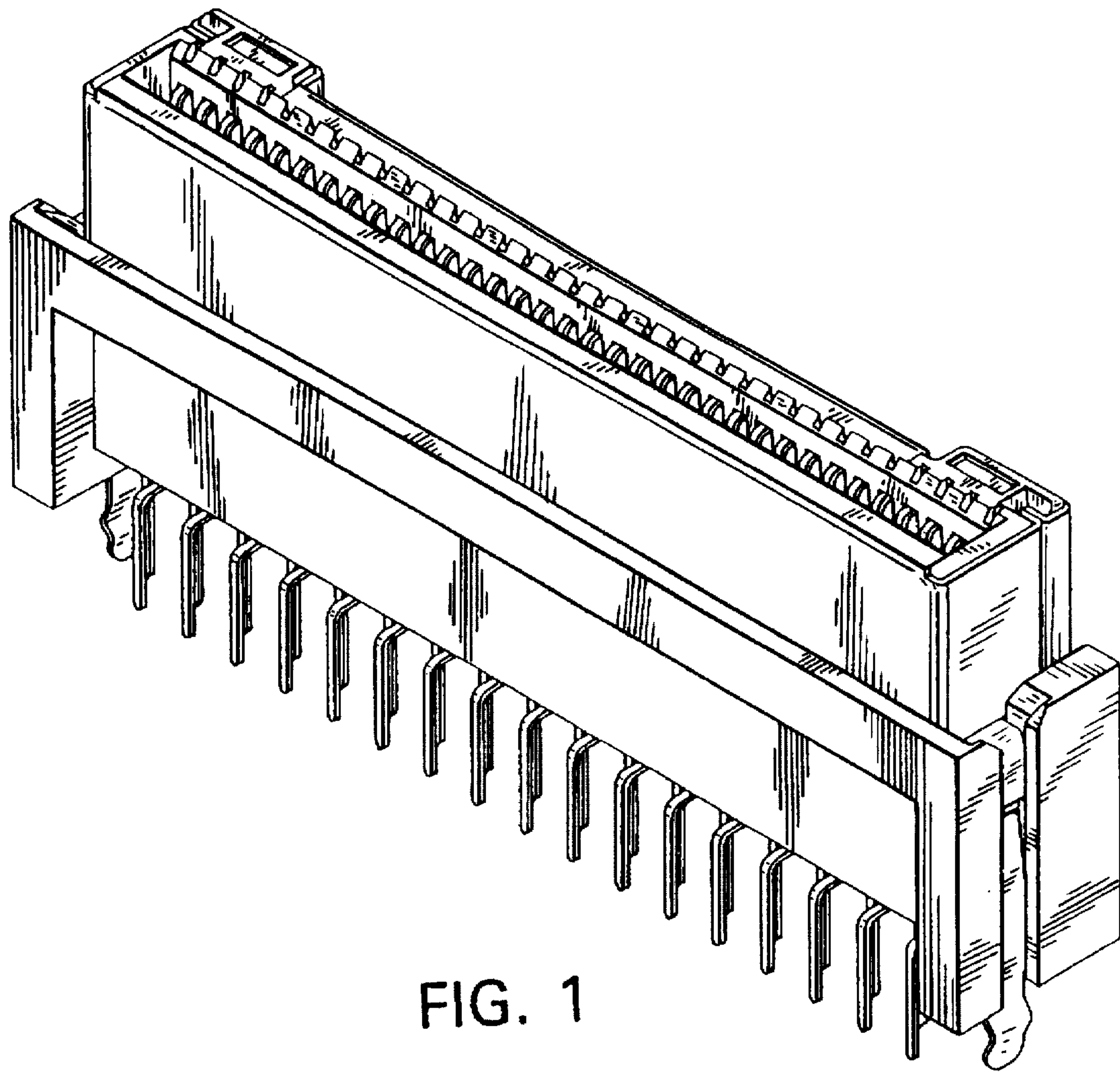


FIG. 2

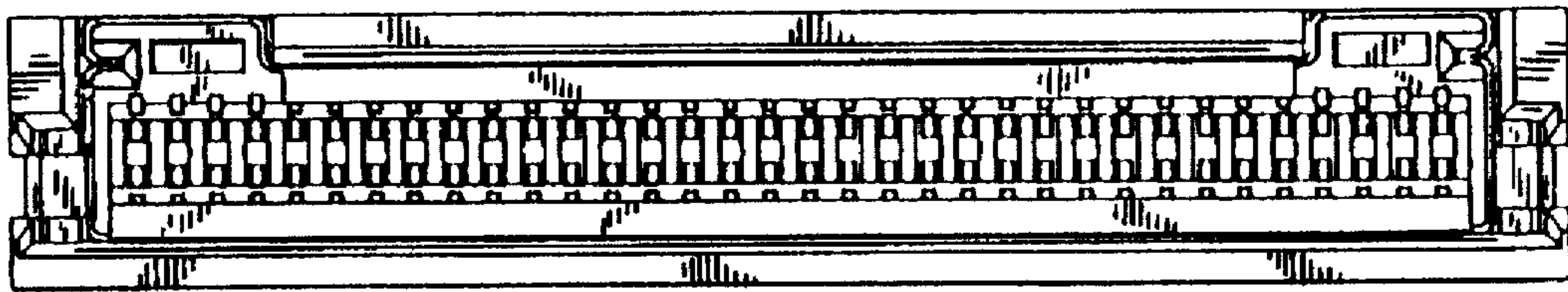


FIG. 3

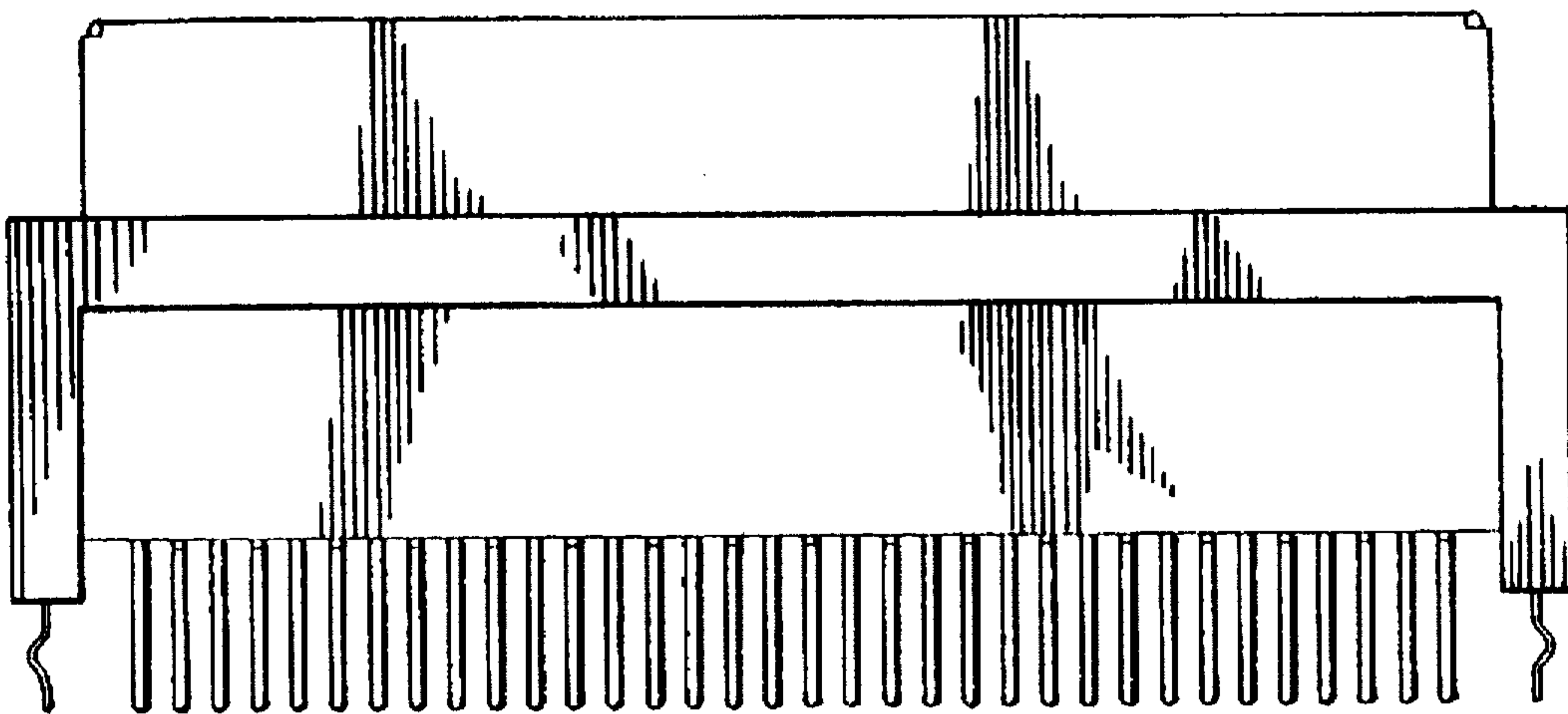


FIG. 4

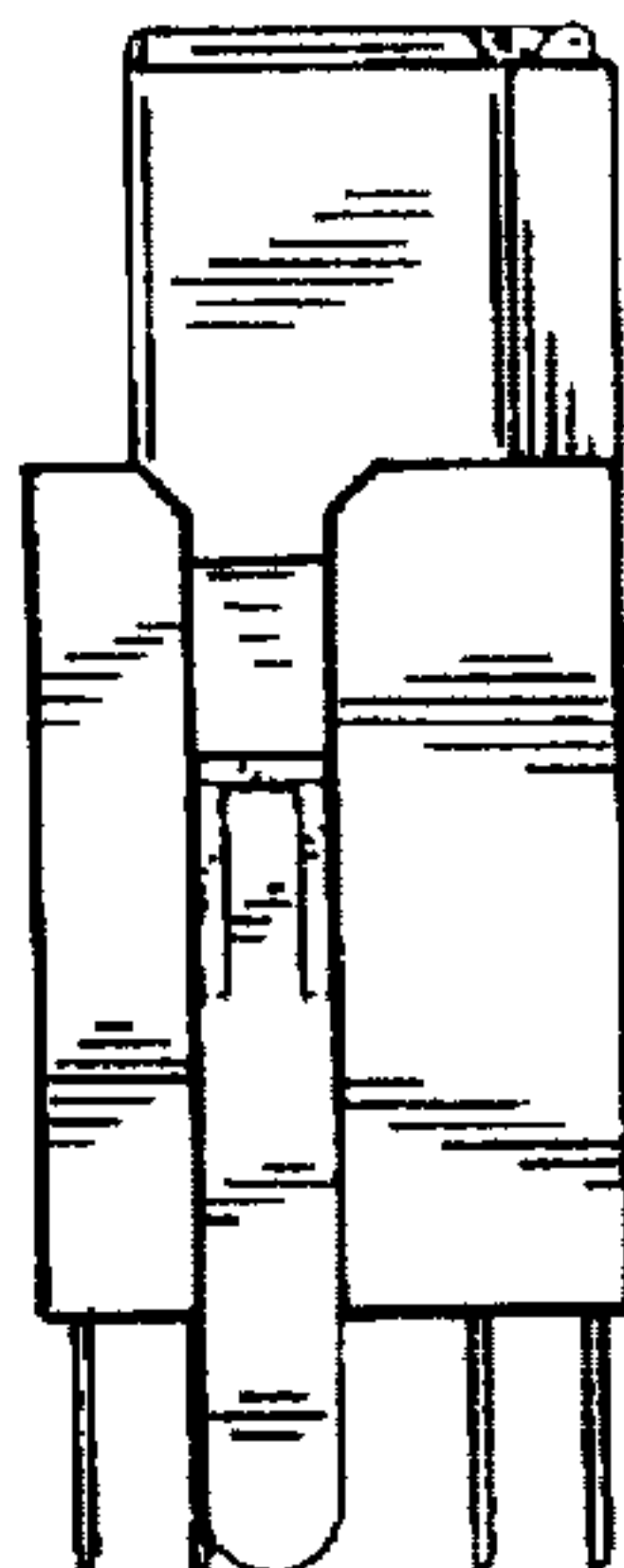


FIG. 5

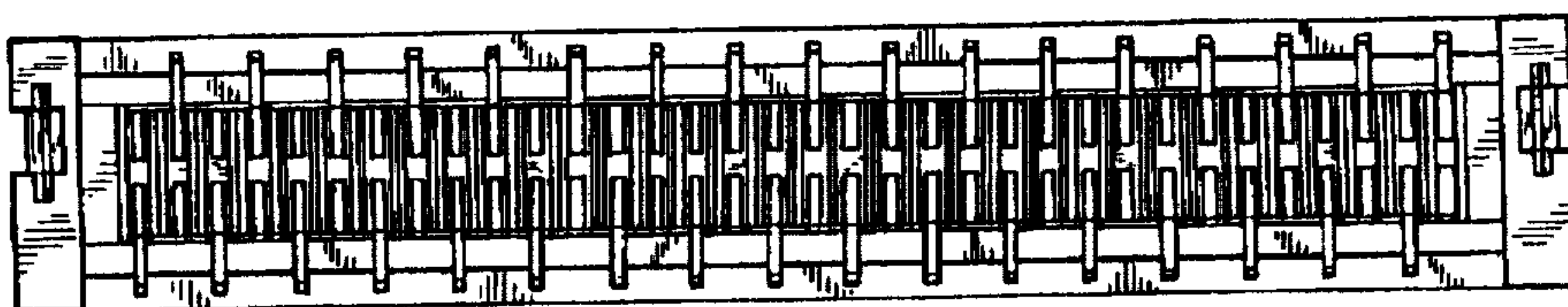


FIG. 6

