



US00D390827S

# United States Patent [19]

[11] Patent Number: **Des. 390,827**

Sekimori et al.

[45] Date of Patent: **\*\*Feb. 17, 1998**

[54] **CONNECTOR FOR ELECTRIC SUPPLIER FOR ELECTRIC CAR**

5,350,312 9/1994 Kuno et al. .... 439/310  
5,385,480 1/1995 Hoffman ..... 439/310

[75] Inventors: **Toshiyuki Sekimori**, Aichi-ken;  
**Shigemi Hashizawa**; **Hirotaka Fukushima**, both of Shizuoka-ken, all of Japan

*Primary Examiner*—Alan P. Douglas  
*Assistant Examiner*—Lavone D. Tabor  
*Attorney, Agent, or Firm*—Saidman DesignLaw Group

[73] Assignees: **Yazaki Corporation**; **Toyota Jidosha Kabushiki Kaisha**, both of Japan

[57] **CLAIM**

The ornamental design for a connector for electric supplier for electric car, as shown and described.

[\*\*] Term: **14 Years**

**DESCRIPTION**

[21] Appl. No.: **53,278**

FIG. 1 is a perspective view of a connector for electric supplier for electric car showing our new design;

[22] Filed: **Apr. 1, 1996**

FIG. 2 is a front elevational view thereof;

[30] **Foreign Application Priority Data**

Oct. 2, 1995 [JP] Japan ..... 7-28987

FIG. 3 is a left view thereof;

[51] **LOC (6) Cl.** ..... **13-03**

FIG. 4 is a right side view thereof;

[52] **U.S. Cl.** ..... **D13/146**

FIG. 5 is a top view thereof;

[58] **Field of Search** ..... D13/133, 146,  
D13/147; 320/2; 439/266, 310, 352, 372,  
378

FIG. 6 is a bottom view thereof;

FIG. 7 is a perspective view of a second embodiment showing our new design;

FIG. 8 is a front elevational view thereof;

FIG. 9 is a left side view thereof;

FIG. 10 is a right side view thereof;

FIG. 11 is a top view thereof; and,

FIG. 12 is a bottom view thereof.

[56] **References Cited**

**U.S. PATENT DOCUMENTS**

D. 375,721 11/1996 Endo et al. .... D13/146

**1 Claim, 4 Drawing Sheets**

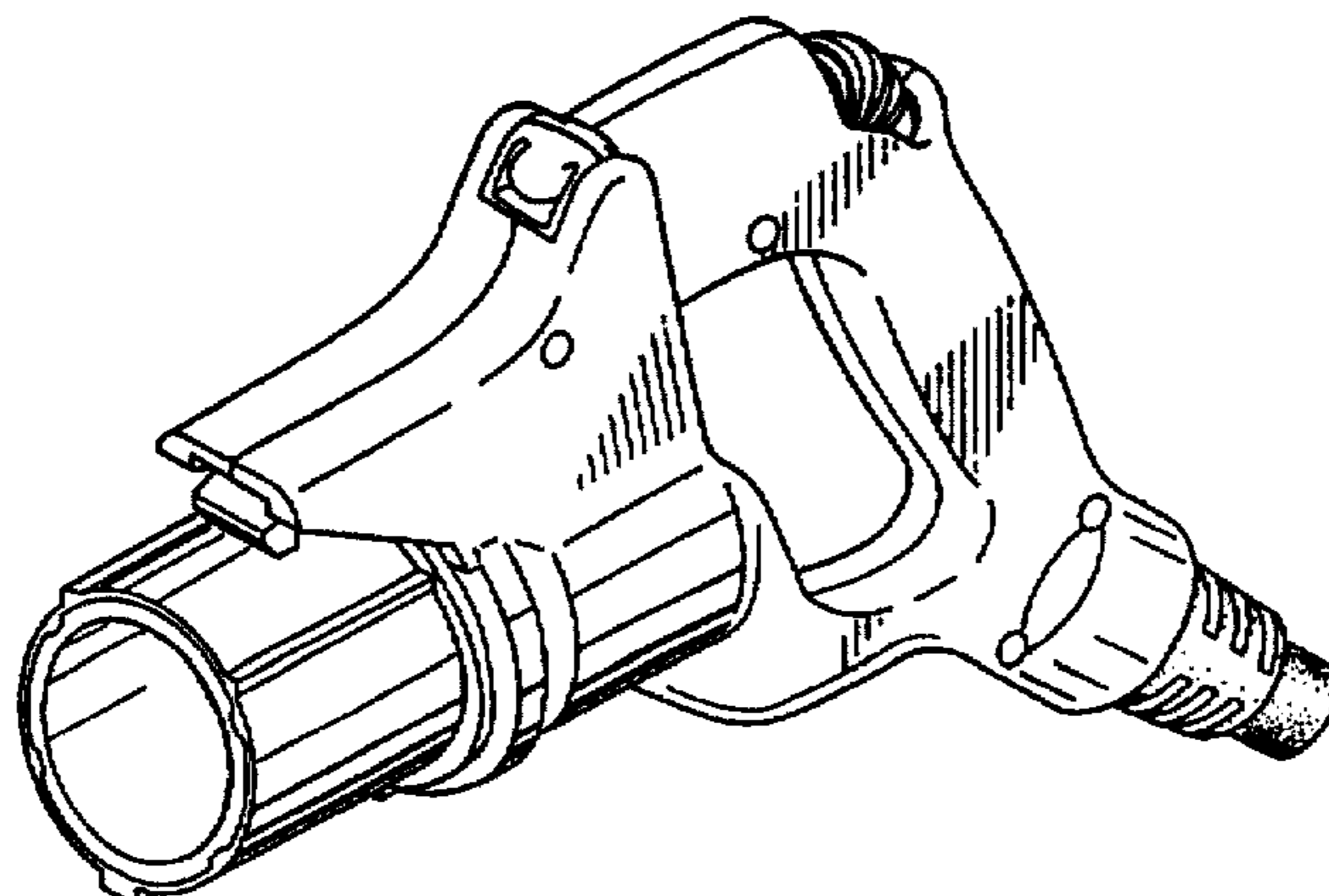
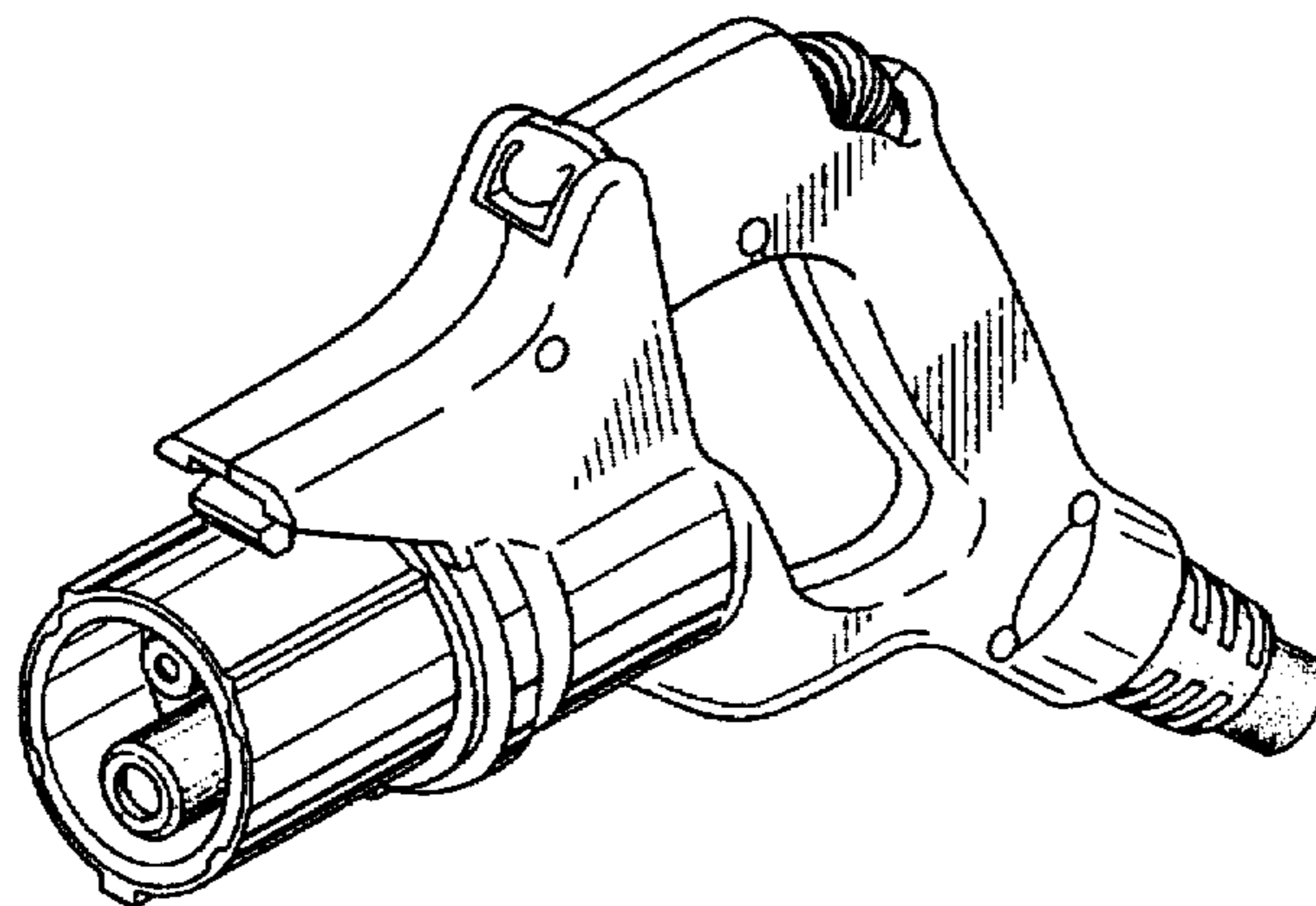


FIG. 1

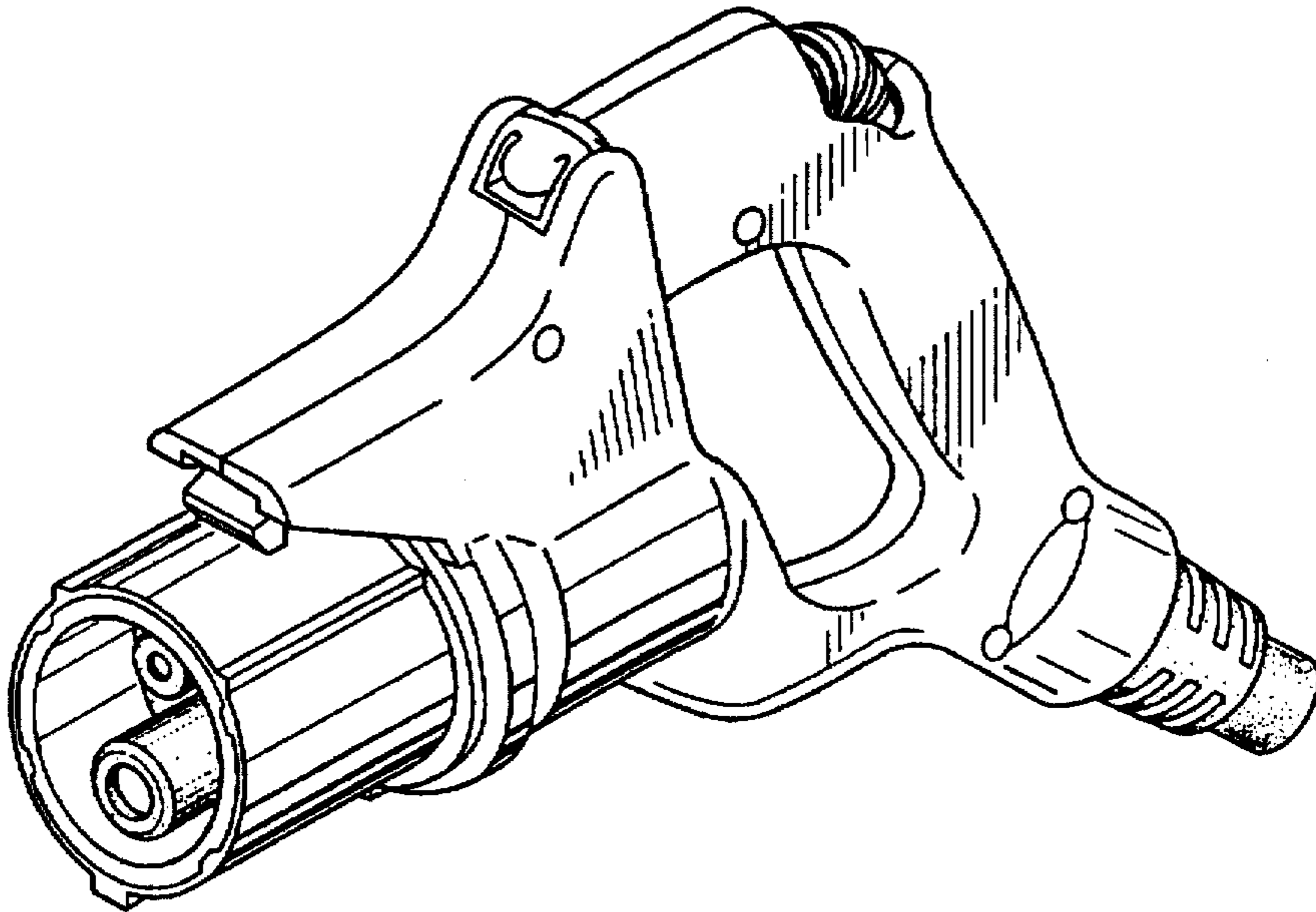


FIG. 2

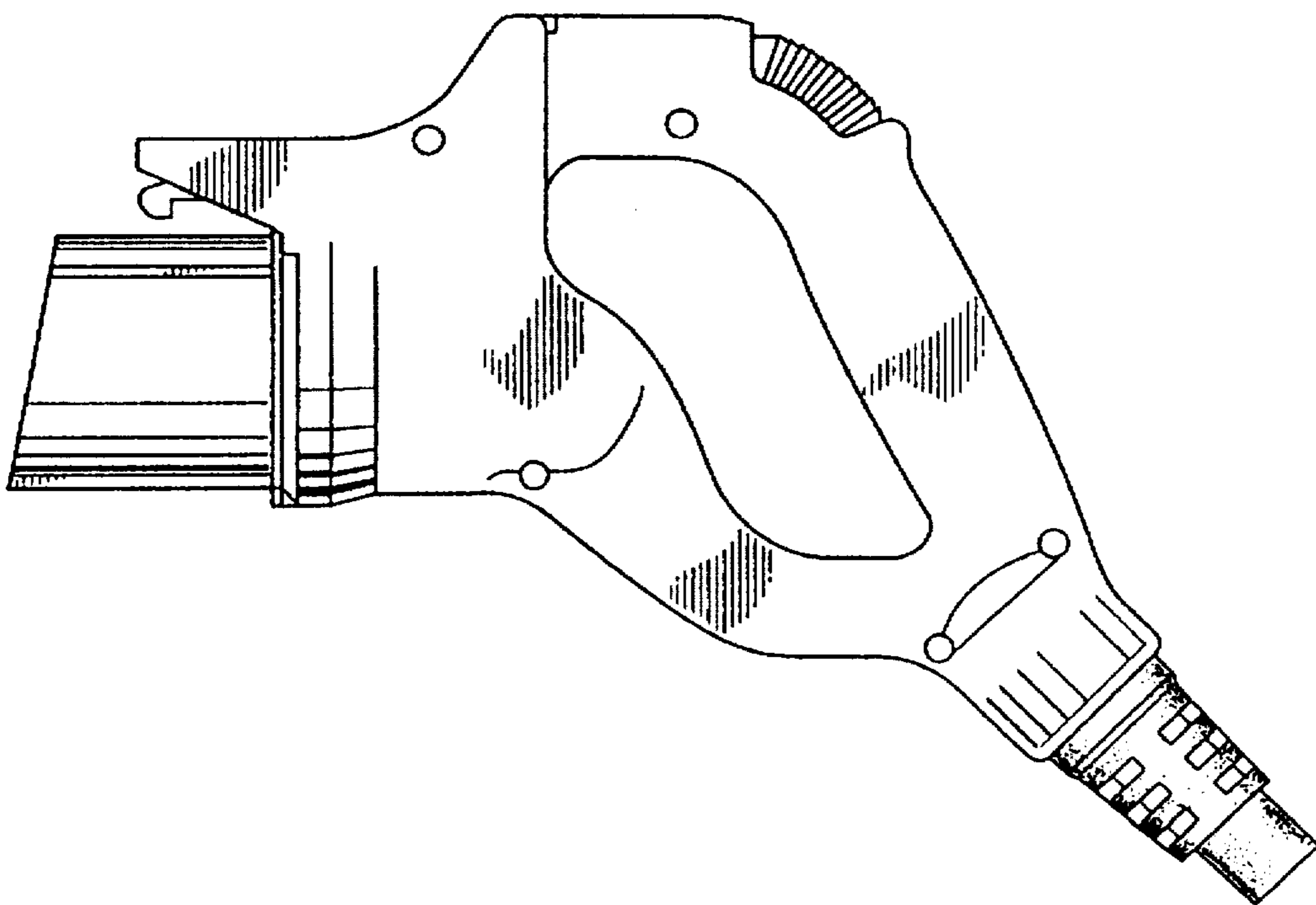


FIG. 3

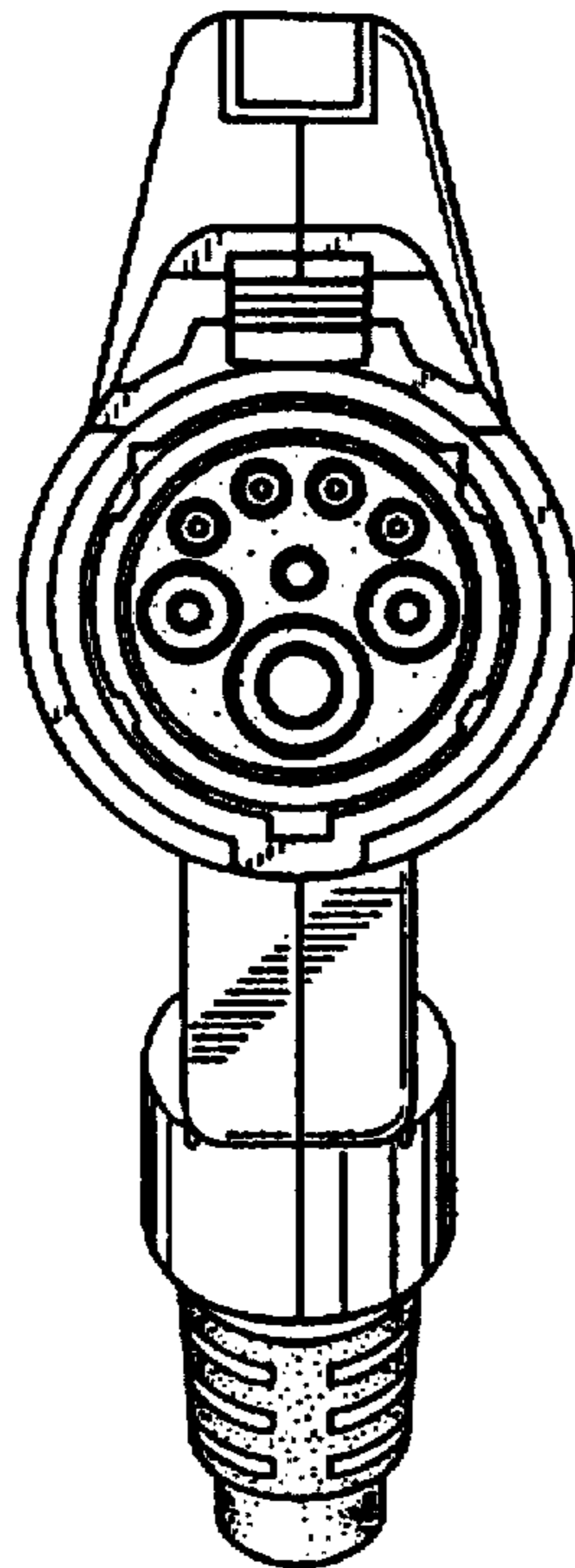


FIG. 4

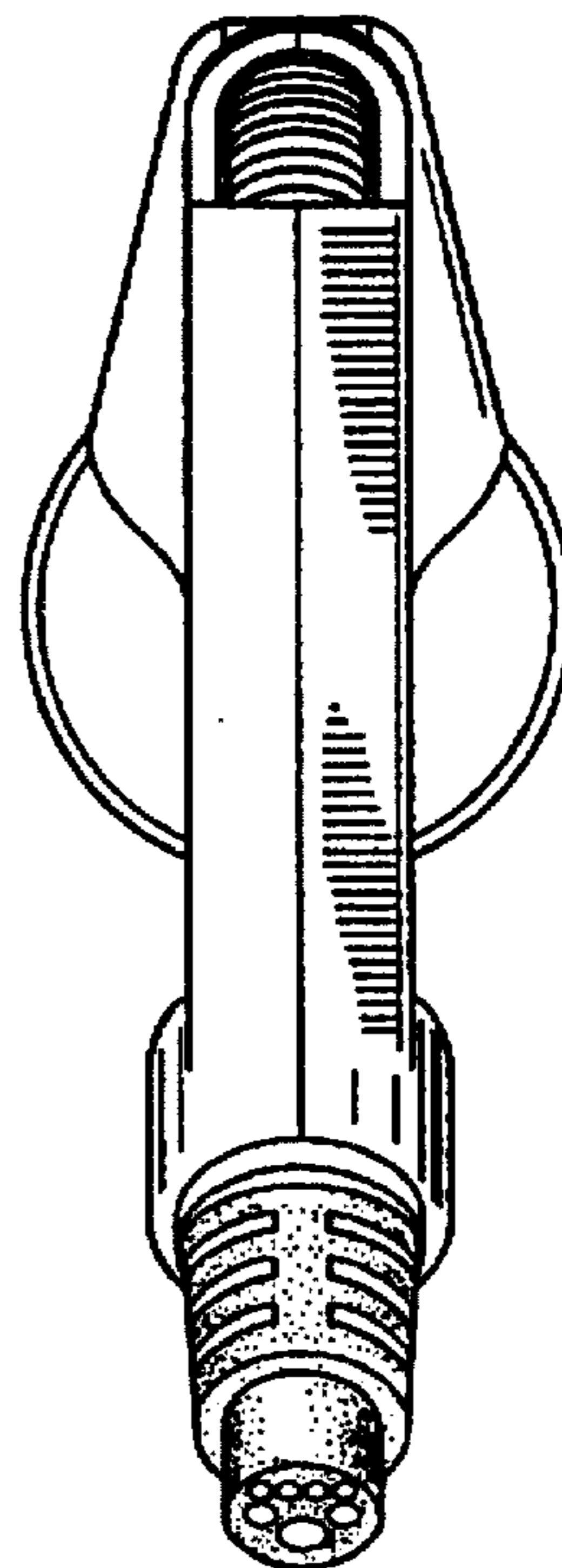


FIG. 5

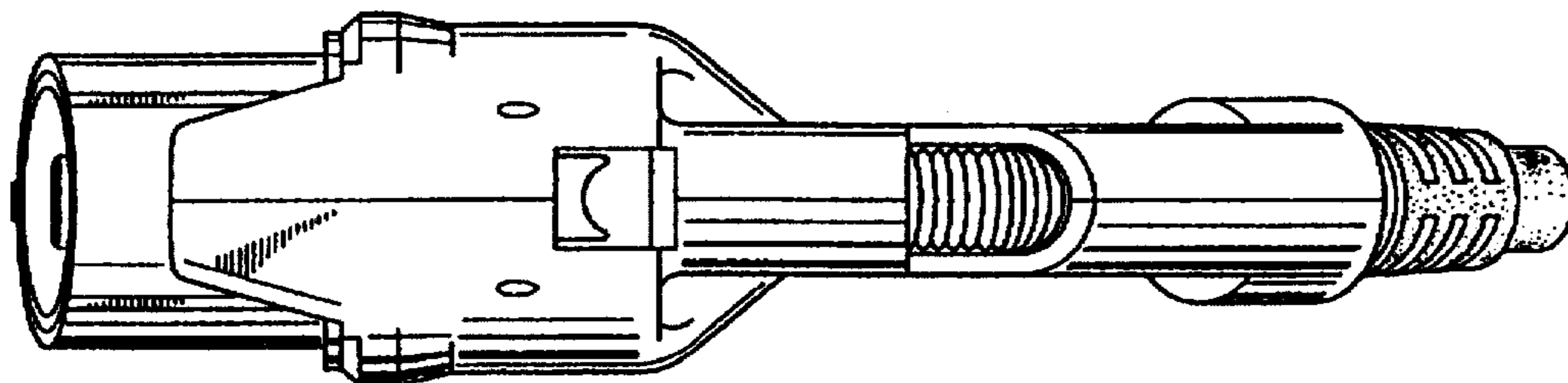
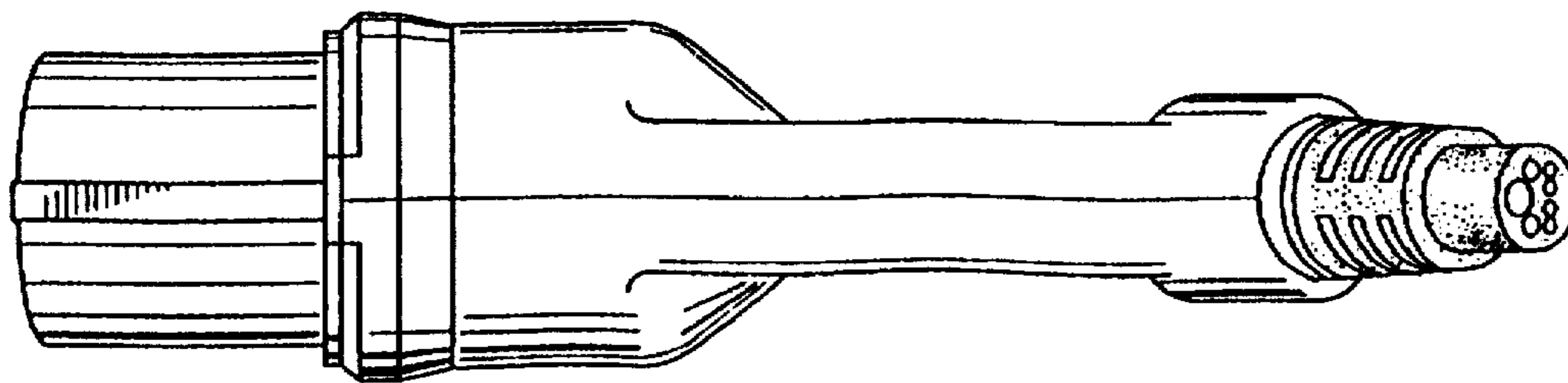
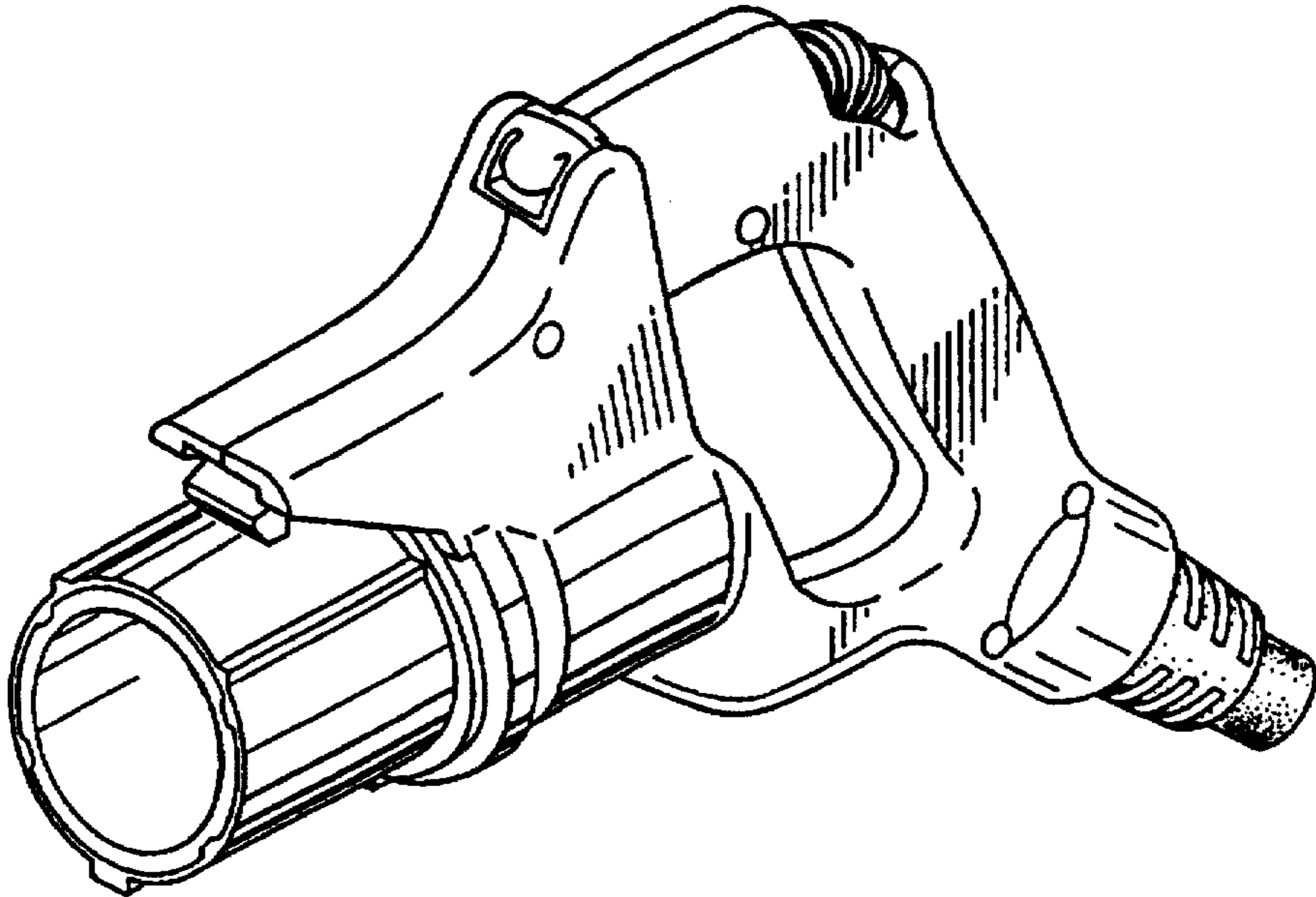


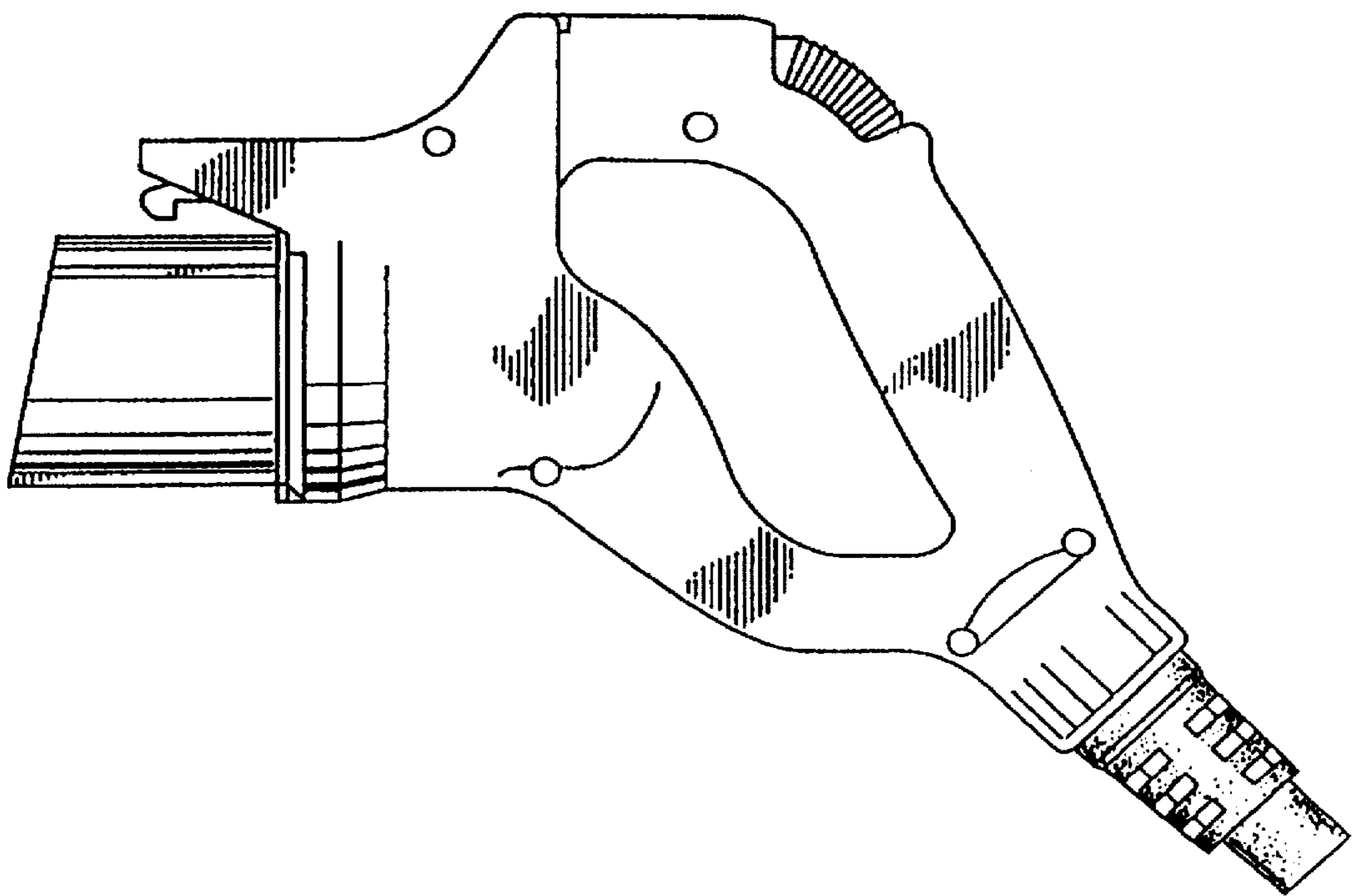
FIG. 6



**FIG. 7**

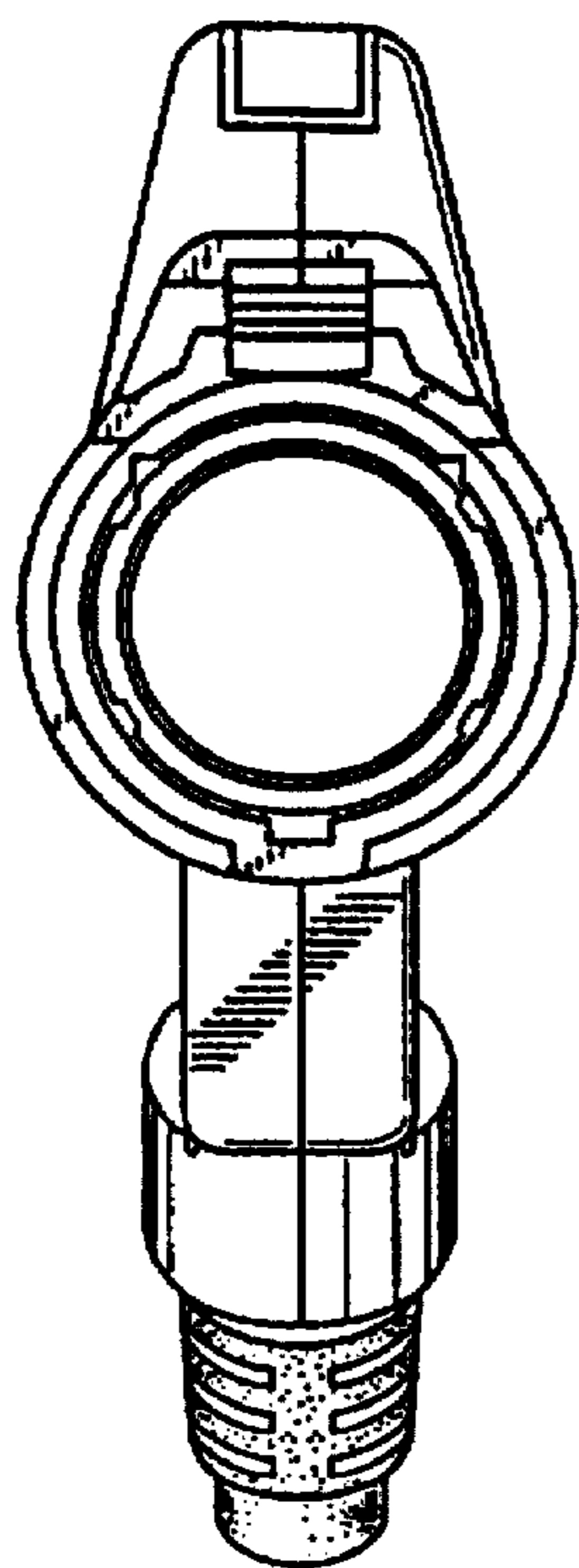


**FIG. 8**

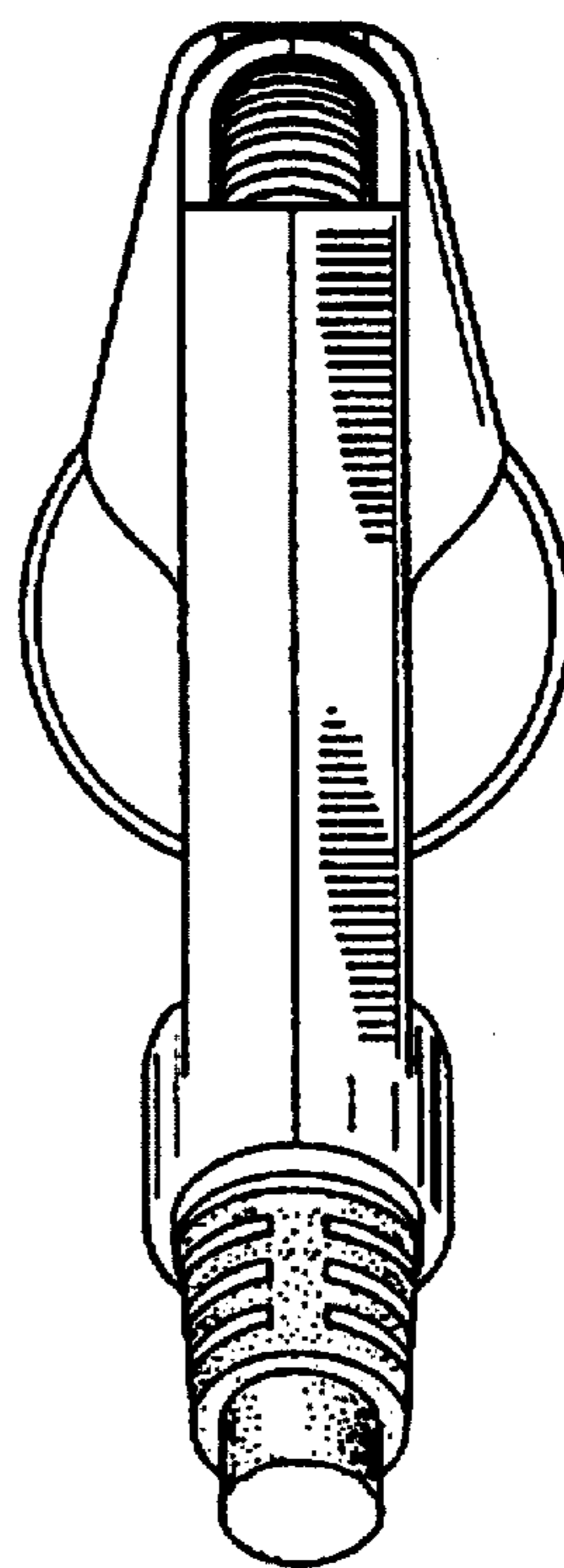




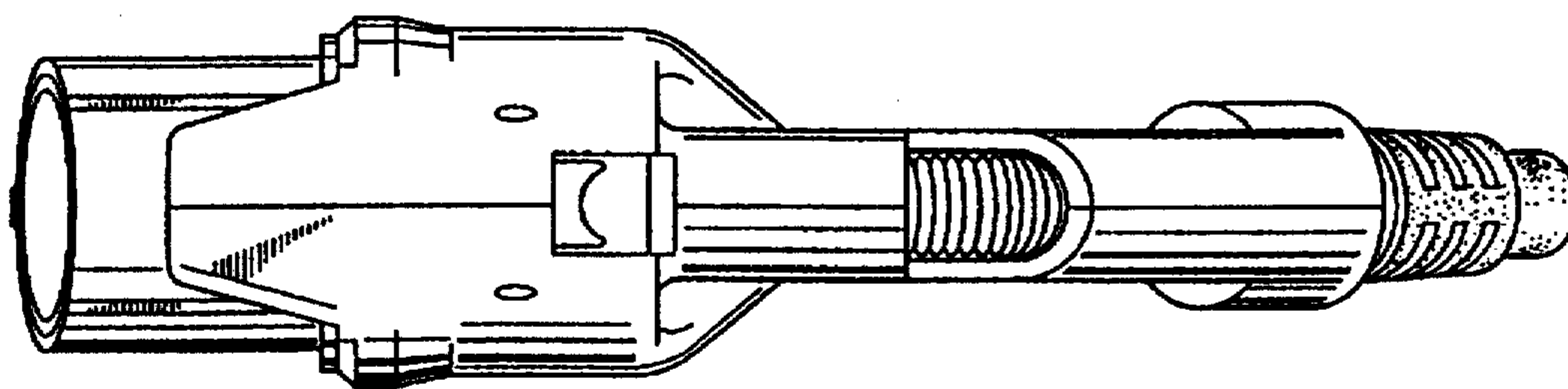
**FIG. 9**



**FIG. 10**



**FIG. 11**



**FIG. 12**

