



US00D390824S

United States Patent [19]

Foster et al.

[11] Patent Number: **Des. 390,824**

[45] Date of Patent: ****Feb. 17, 1998**

[54] **HOUSING FOR BATTERY CHARGING DEVICE**

D. 345,728	4/1994	Tynecki et al.	D13/108
D. 369,344	4/1996	Lindeman et al.	D13/108
D. 370,658	6/1996	Siddoway et al.	D13/108

[75] Inventors: **Alan L. Foster**, Lawrenceville; **Jeffery R. Beasley**, Buford; **Dedelyn Hamilton**, Lawrenceville, all of Ga.; **Michael P. Goldenberg**, Delray Beach, Fla.

Primary Examiner—Joel Sincavage
Attorney, Agent, or Firm—Kelly A. Gardner; Kenneth M. Massaroni

[73] Assignee: **Motorola, Inc.**, Schaumburg, Ill.

[**] Term: **14 Years**

[57] **CLAIM**

The ornamental design for a/an housing for battery charging device, as shown and described.

[21] Appl. No.: **57,331**

DESCRIPTION

[22] Filed: **Jul. 23, 1996**

FIG. 1 is a front right isometric view of the housing of the battery charging device showing our new design;

[51] LOC (6) Cl. **13-02**

FIG. 2 is a front elevational view thereof; and

[52] U.S. Cl. **D13/108**

FIG. 3 is a right side elevational view thereof;

[58] Field of Search D13/107, 108;
D14/240, 251; 320/2, 3, 4, 15

FIG. 4 is a left side elevational view thereof;

FIG. 5 is a top plan view thereof;

FIG. 6 is a rear elevational view thereof; and,

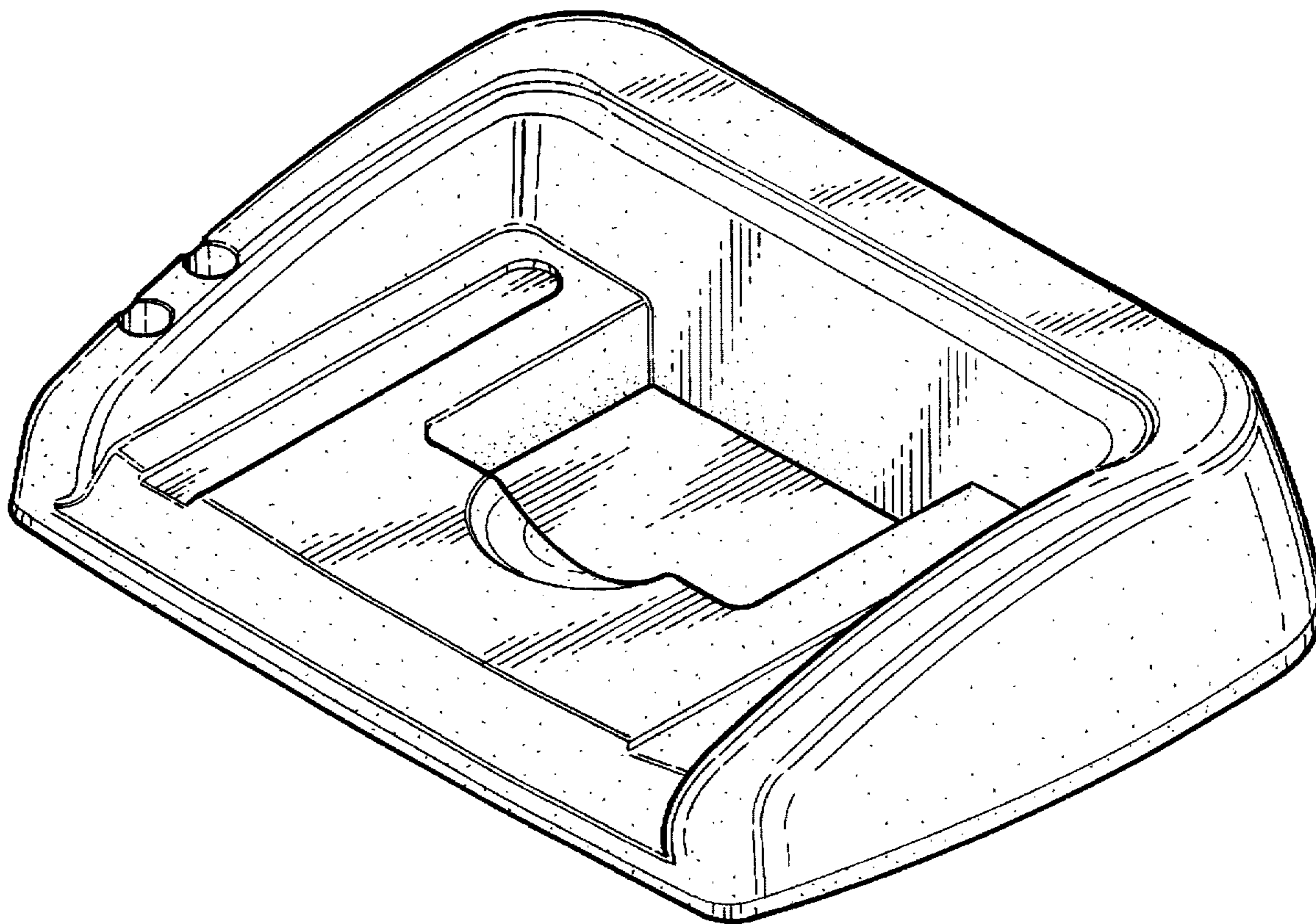
FIG. 7 is a bottom plan view thereof;

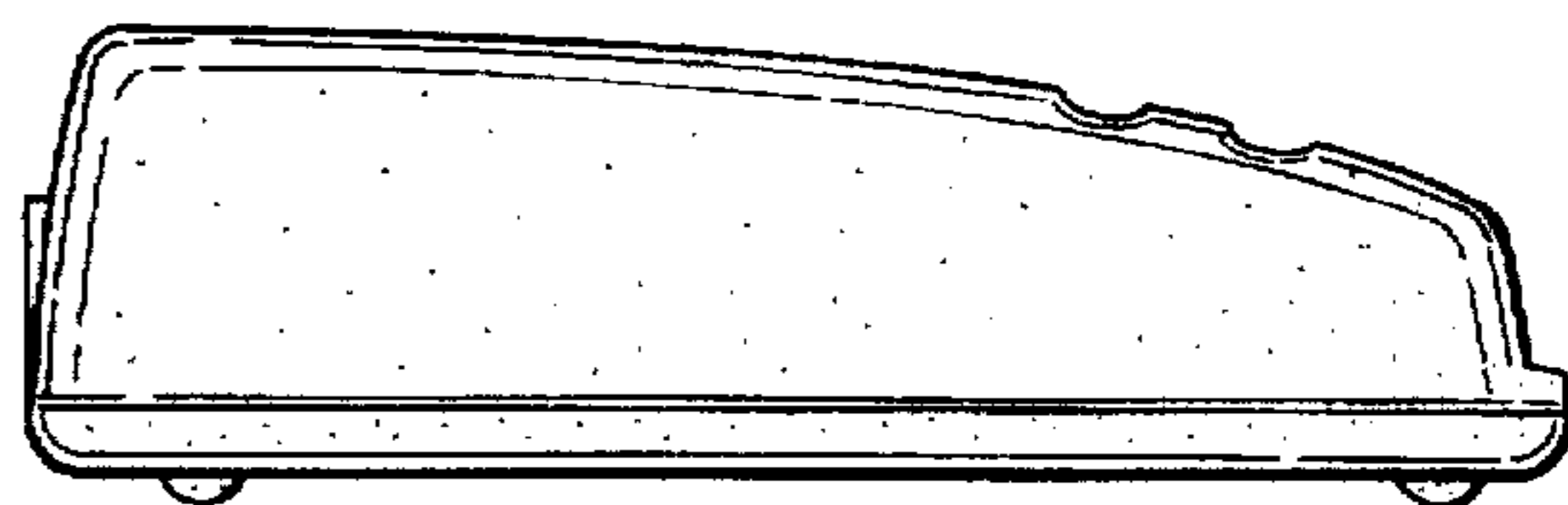
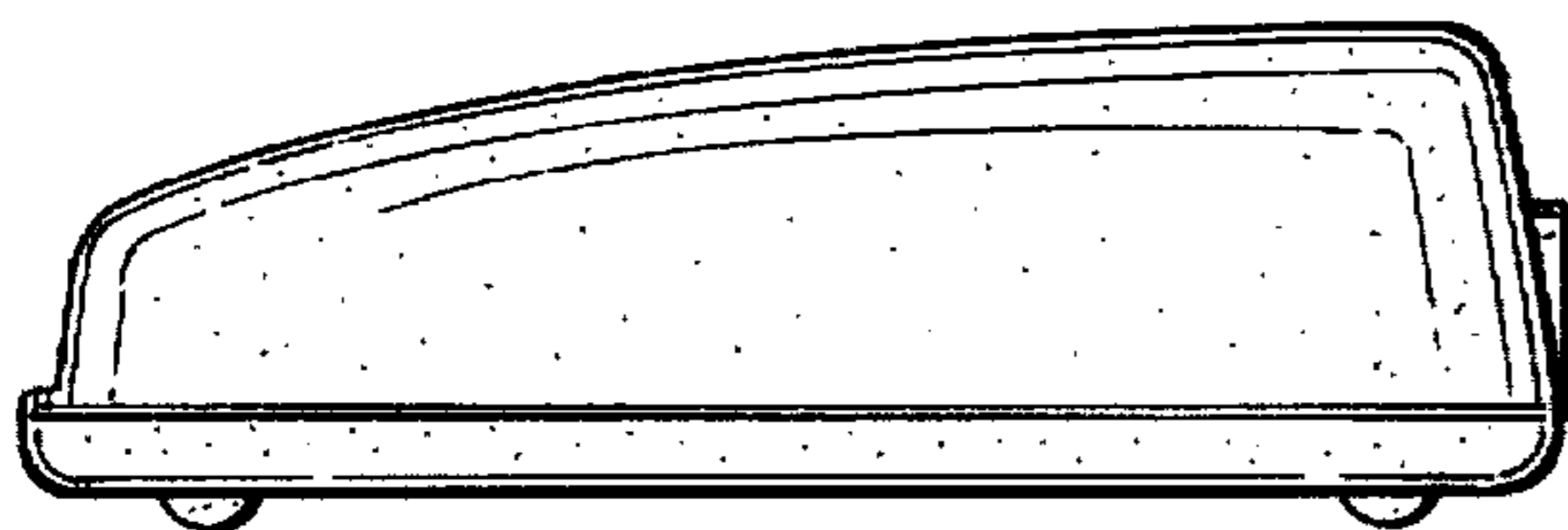
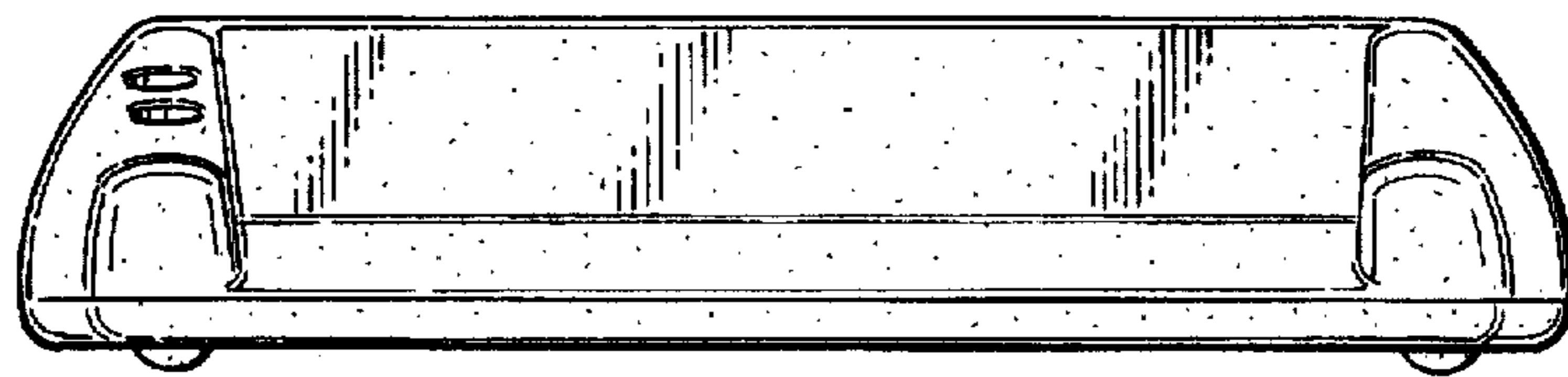
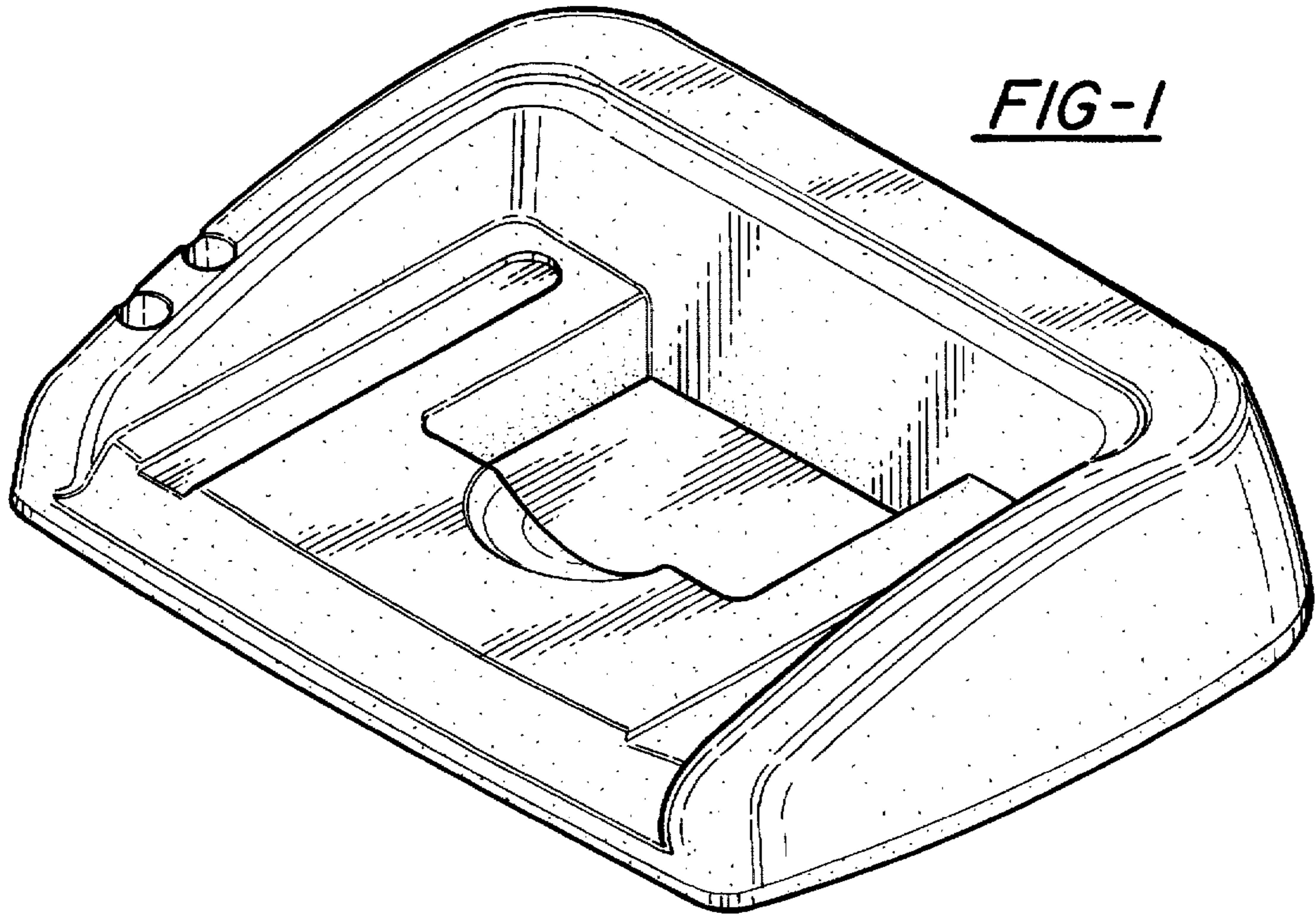
[56] **References Cited**

U.S. PATENT DOCUMENTS

D. 307,016 4/1990 Watanabe D14/240

1 Claim, 2 Drawing Sheets





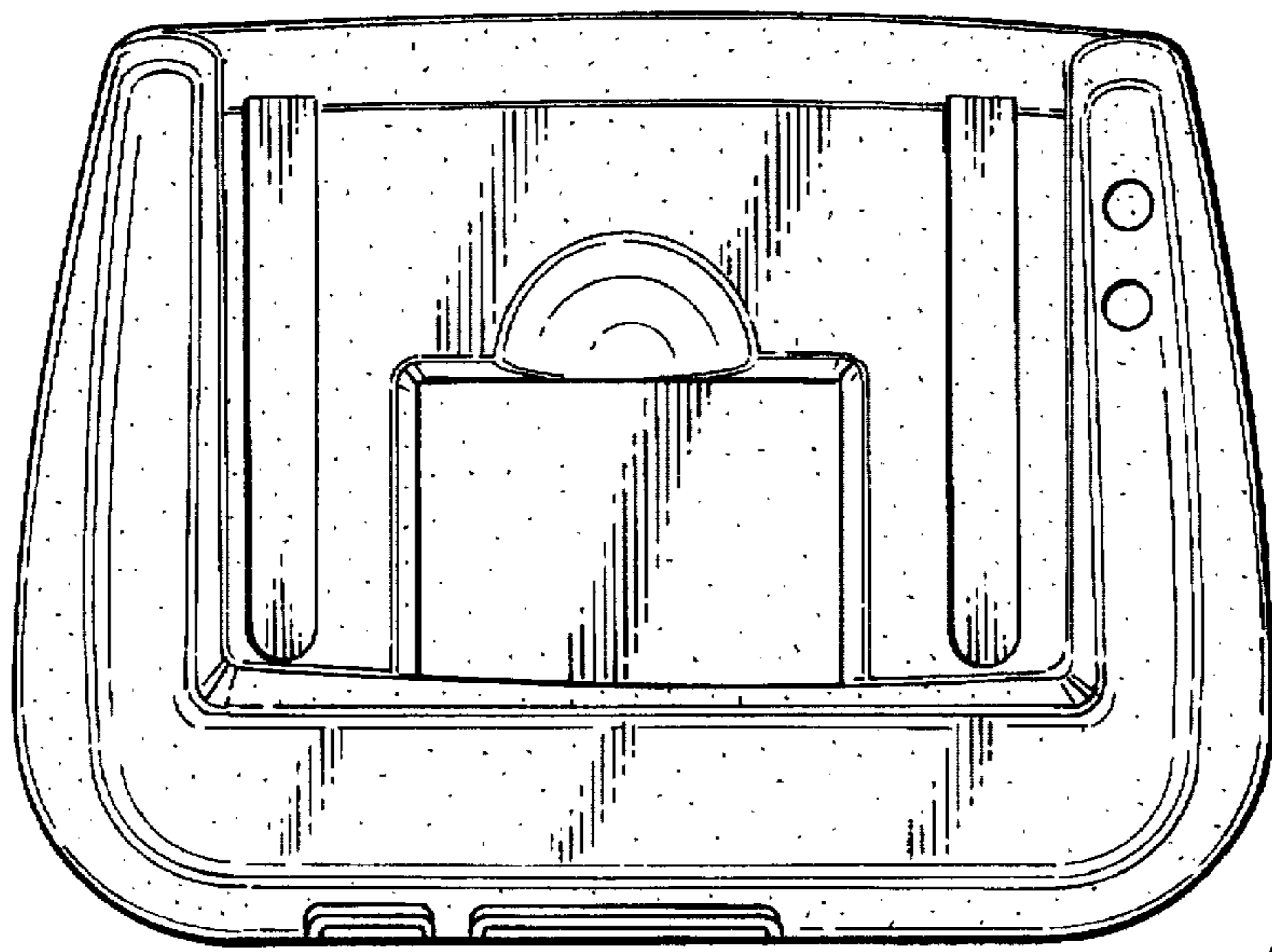


FIG-5

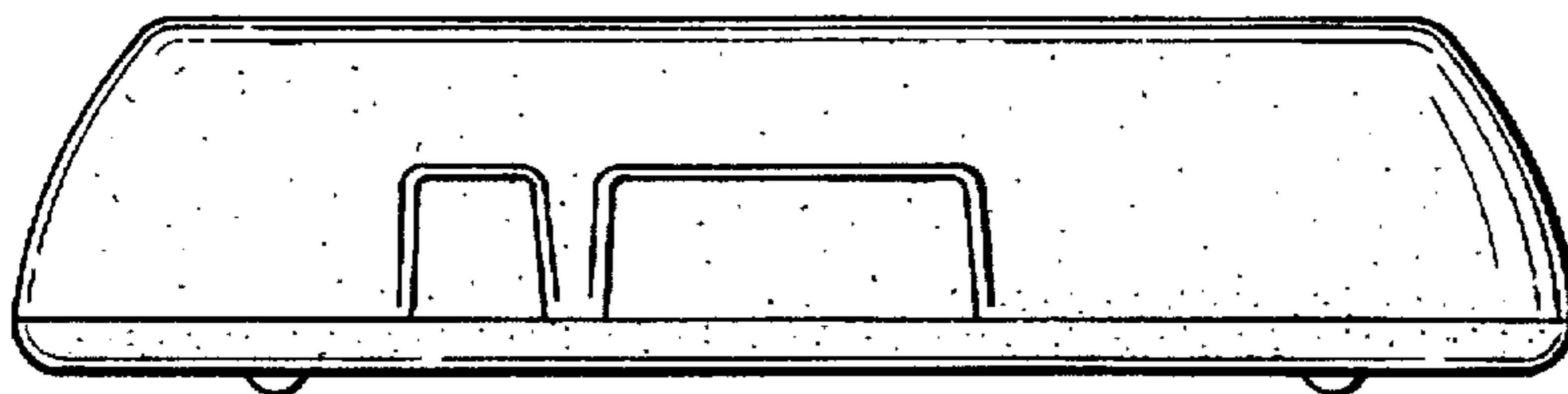


FIG-6

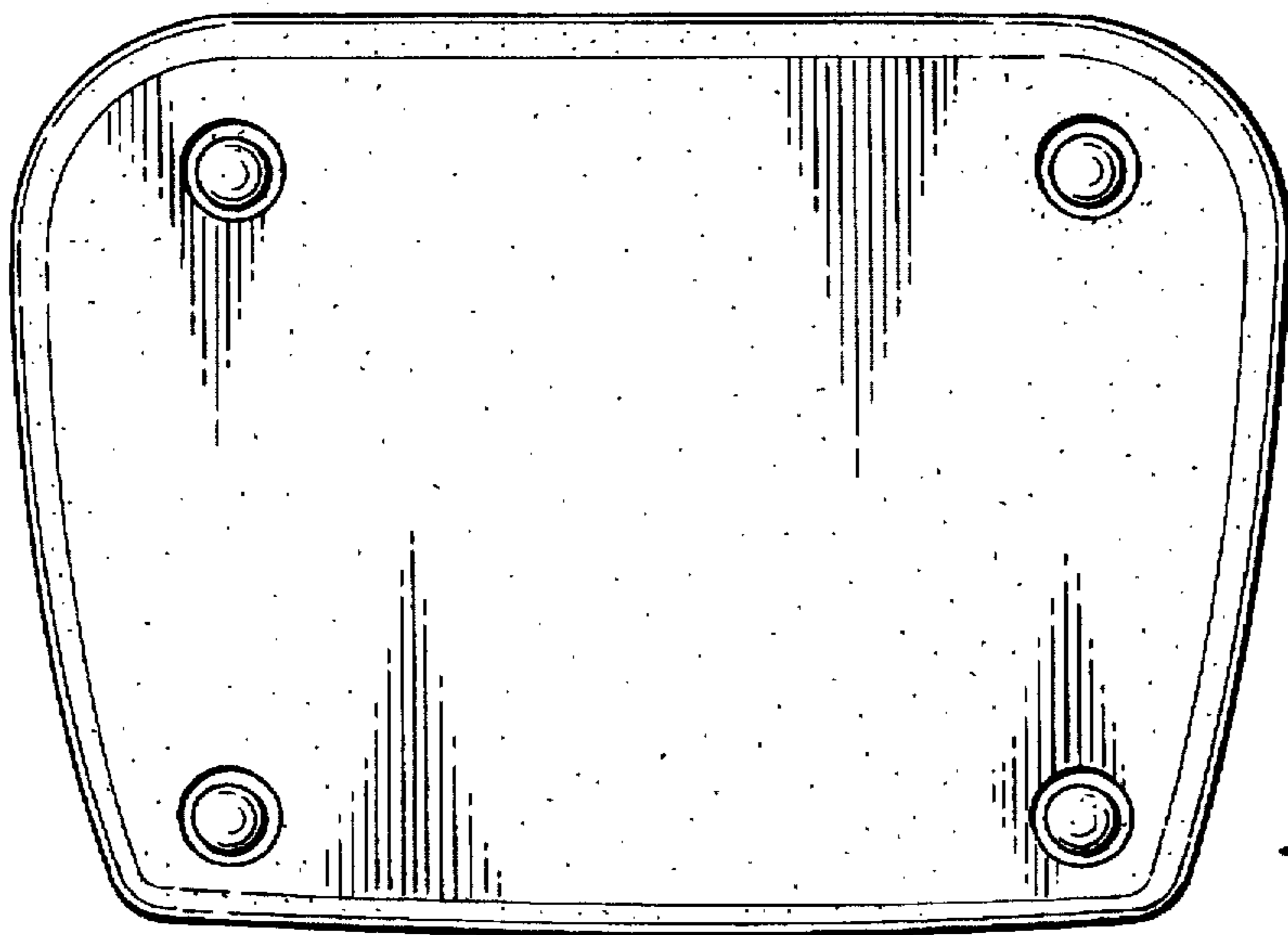


FIG-7