



US00D390822S

United States Patent [19] Neeper

[11] Patent Number: **Des. 390,822**

[45] Date of Patent: ****Feb. 17, 1998**

- [54] **VEHICLE-WHEEL FRONT FACE**
- [75] Inventor: **Mark D. Neeper**, Denver, Colo.
- [73] Assignee: **Mobile Hi-Tech Wheels**, Torrance, Calif.
- [**] Term: **14 Years**
- [21] Appl. No.: **69,584**
- [22] Filed: **Apr. 3, 1997**
- [51] LOC (6) Cl. **12-16**
- [52] U.S. Cl. **D12/209**
- [58] Field of Search **D12/204-213;**
301/64.1, 65, 37.1

- D. 368,464 4/1996 Morley et al. D12/209
- D. 374,420 10/1996 Neeper D12/209
- D. 377,640 1/1997 Neeper D12/209
- D. 379,612 6/1997 Honarkhah D12/209
- D. 380,432 7/1997 Hettler D12/209

Primary Examiner—James Gandy
Assistant Examiner—Stacia Sinuik
Attorney, Agent, or Firm—Christie, Parker & Hale, LLP

[57] CLAIM

The ornamental design for vehicle-wheel front face, as shown and described.

DESCRIPTION

FIG. 1 is a perspective view of the front face of a vehicle wheel showing my new design; and, FIG. 2 is a front elevational view of the wheel depicted in FIG. 1.

The broken line showing of the wheel is for illustrative purposes only and forms no part of the claimed design.

[56] References Cited

U.S. PATENT DOCUMENTS

- D. 258,129 2/1981 Horikoshi D12/205
- D. 311,896 11/1990 Mori D12/209
- D. 351,821 10/1994 Oka D12/209
- D. 367,461 2/1996 Chung D12/209

1 Claim, 2 Drawing Sheets

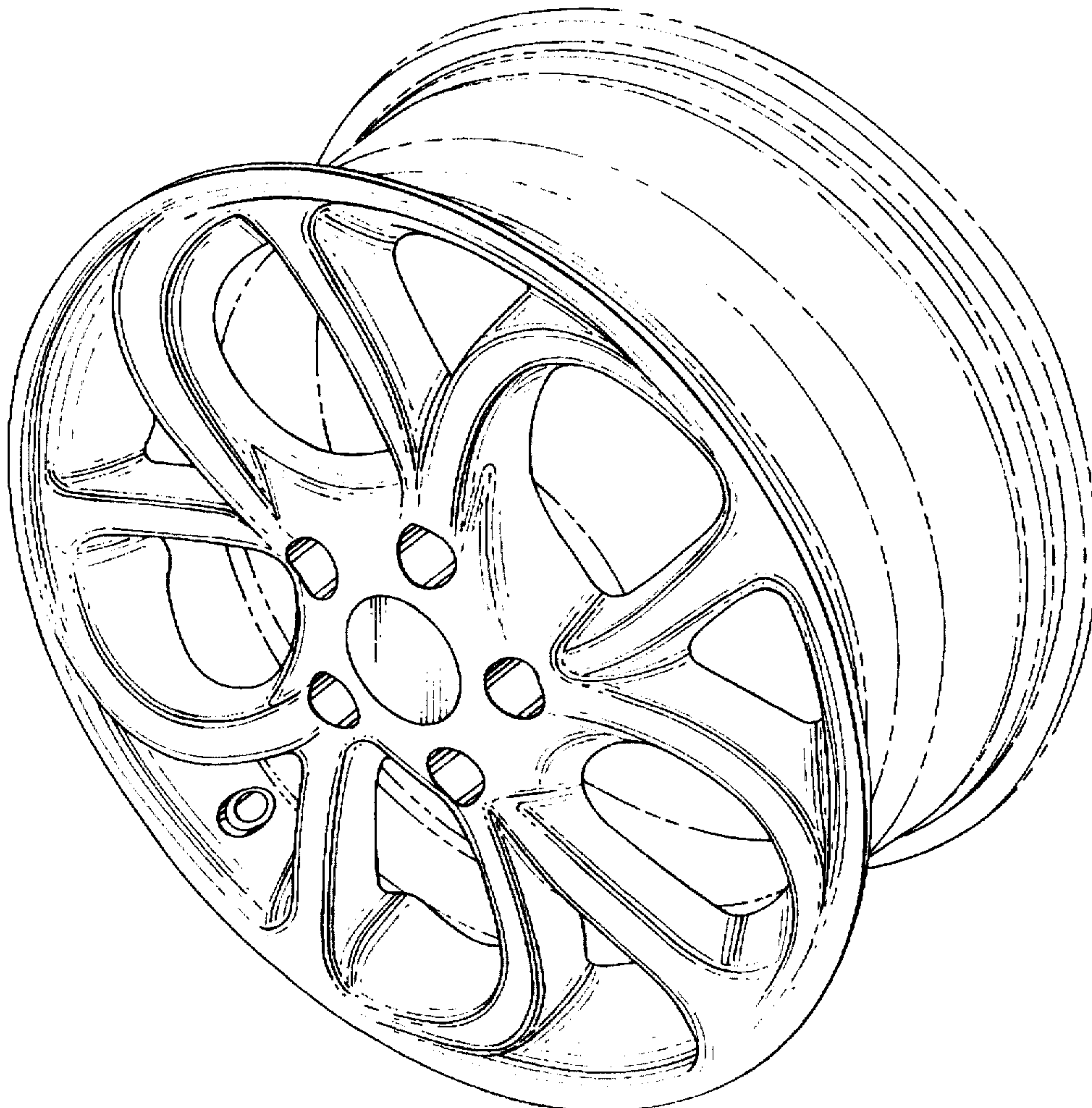


Fig. 1

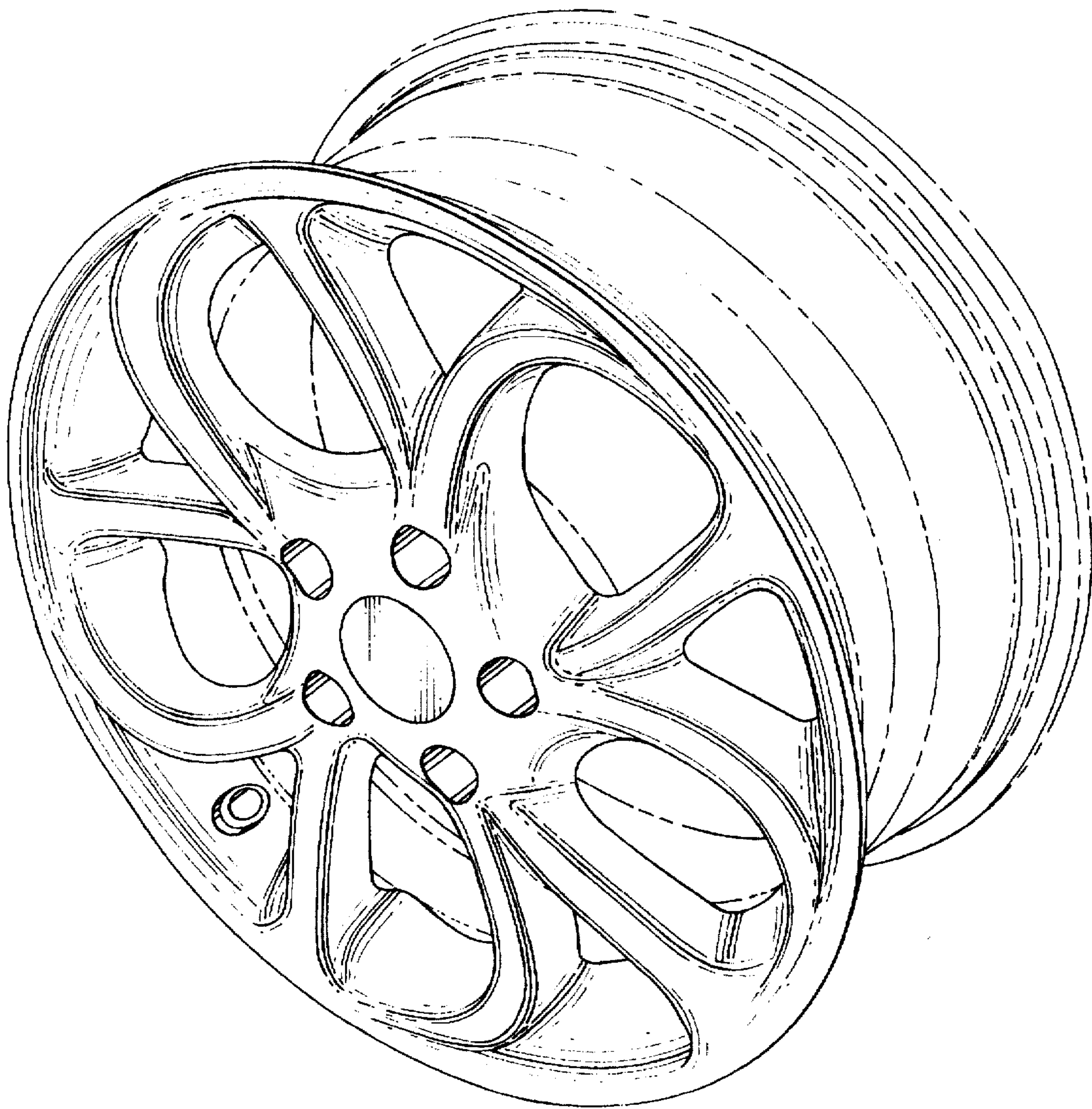


FIG. 2

