



US00D390821S

United States Patent [19]

Thorne et al.

[11] Patent Number: **Des. 390,821**

[45] Date of Patent: ****Feb. 17, 1998**

[54] TAILLIGHT GUARD

[75] Inventors: **Nicholas Thorne**, Simi Valley; **Marcus Meakin**, Los Angeles, both of Calif.

[73] Assignee: **Manik Motors, Inc.**, Los Angeles, Calif.

[**] Term: **14 Years**

[21] Appl. No.: **56,660**

[22] Filed: **Jul. 5, 1996**

[51] LOC (6) Cl. **12-16**

[52] U.S. Cl. **D12/190**

[58] Field of Search **D12/98, 167, 190, D12/400; D26/139; 280/770; 293/126**

[56] References Cited

U.S. PATENT DOCUMENTS

D. 178,895	10/1956	McKnight	D12/167
D. 318,537	7/1991	Allman	D26/139
D. 345,124	3/1994	Lewellen et al.	D12/98
D. 364,704	11/1995	Alger	D12/167

FOREIGN PATENT DOCUMENTS

1039358 1/1988 United Kingdom D26/139

OTHER PUBLICATIONS

Custom-Fit Safari Vehicle Style Taillight Guards, J.C. Whitney Catalog #578J, p. 119, Aug. 1995.

Replacement Taillight Assembly for 87-93 Dodge/Mitsubishi, J.C. Whitney Catalog #580-2C, p. 100, Aug. 1995.

Primary Examiner—James Gandy

Assistant Examiner—Robert M. Spear

[57] CLAIM

The ornamental design for a taillight guard, as shown and described.

DESCRIPTION

FIG. 1 is a top front perspective showing our new design;

FIG. 2 is a front elevational view of the design;

FIG. 3 is a right side view;

FIG. 4 is a left side view thereof;

FIG. 5 is a top view; and,

FIG. 6 is a bottom view.

1 Claim, 1 Drawing Sheet

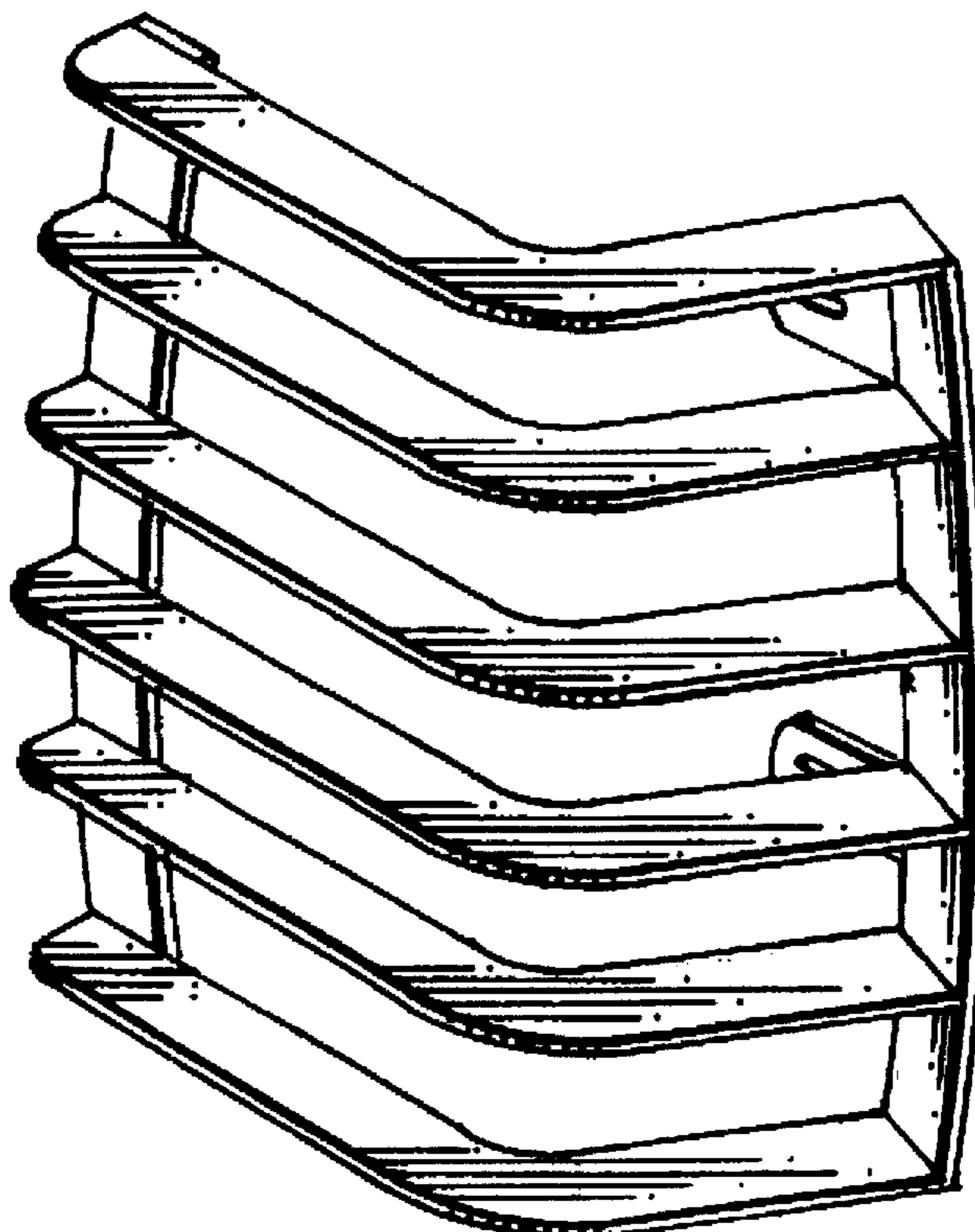


FIG. 5

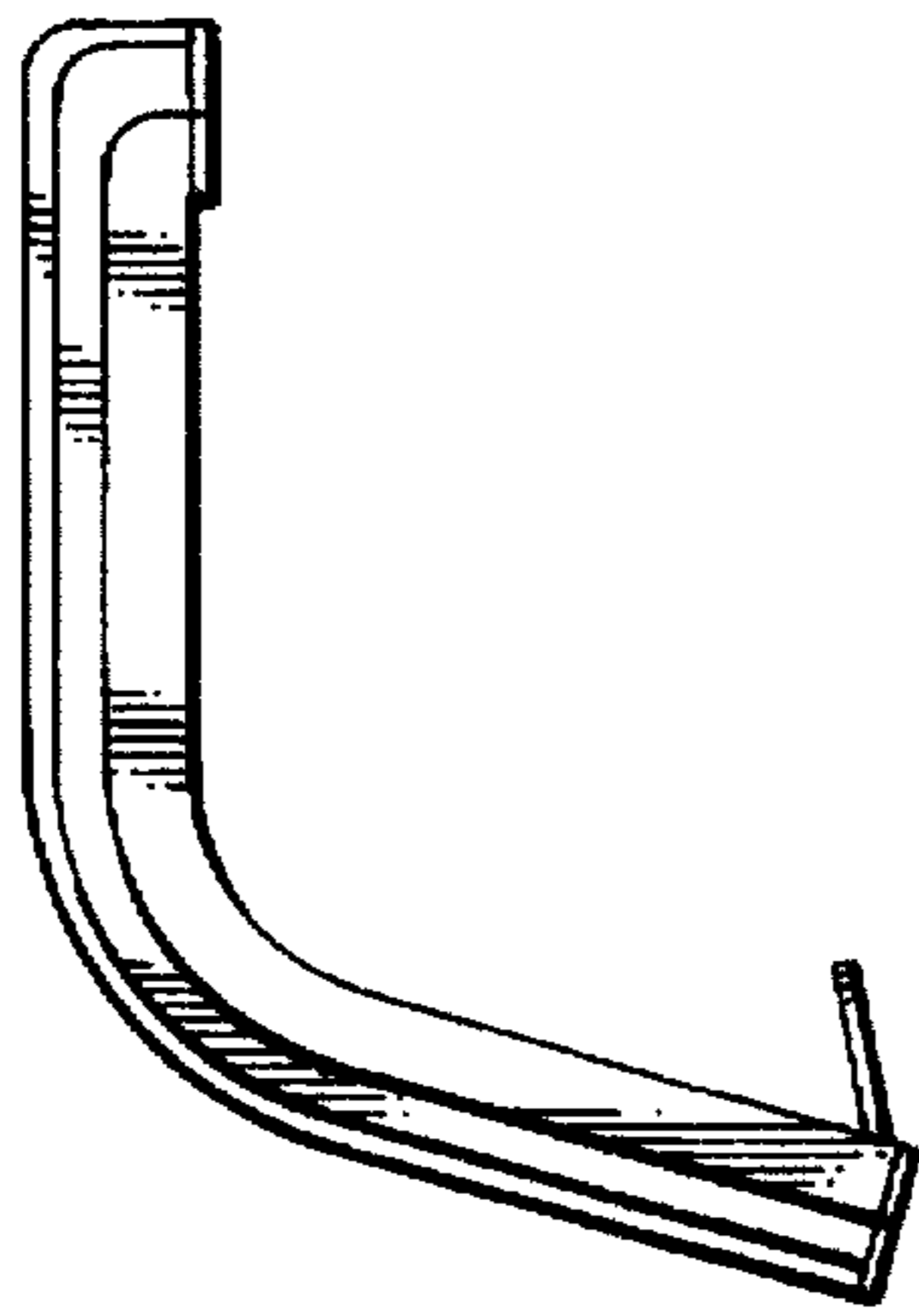


FIG. 6

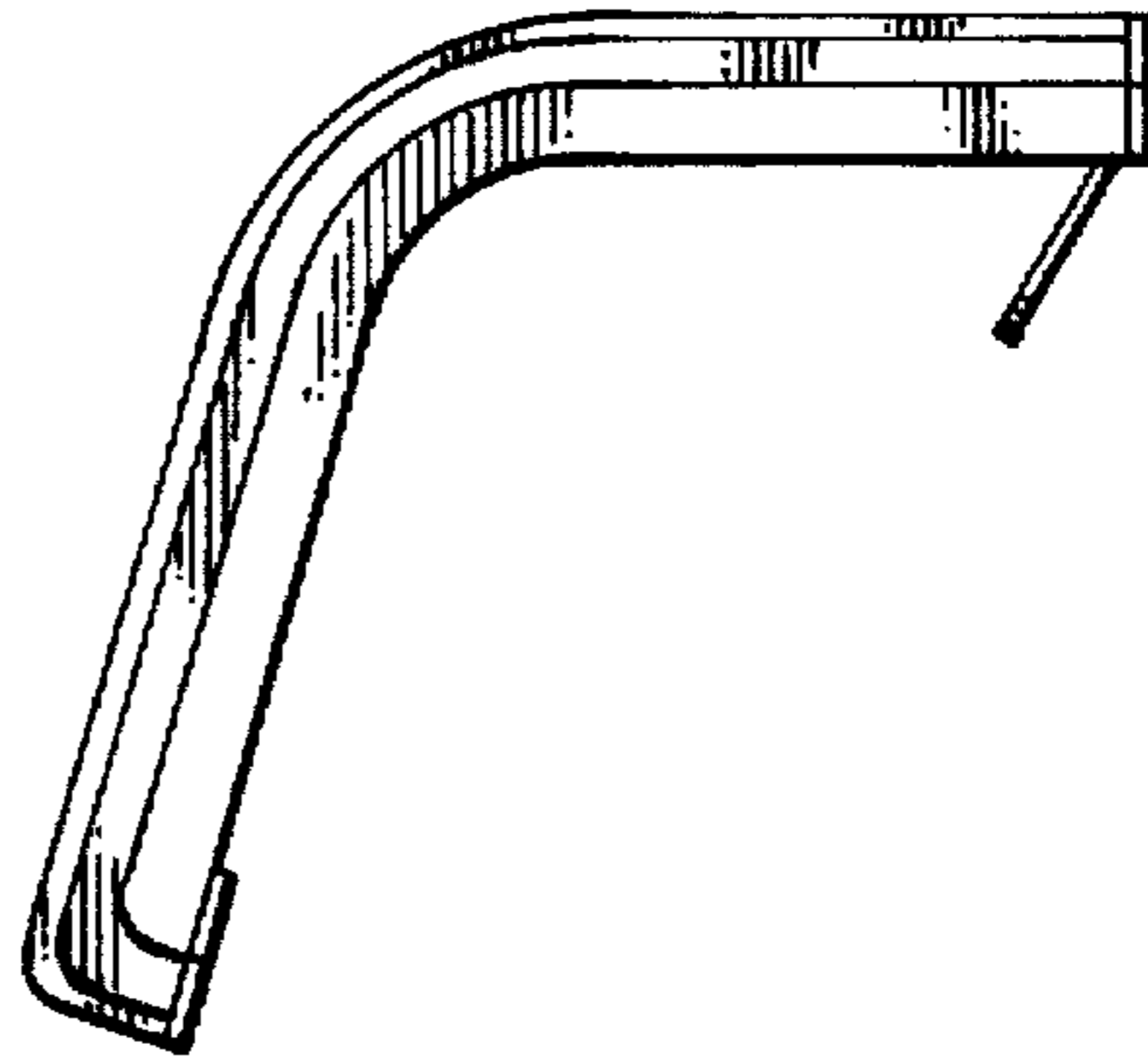


FIG. 2

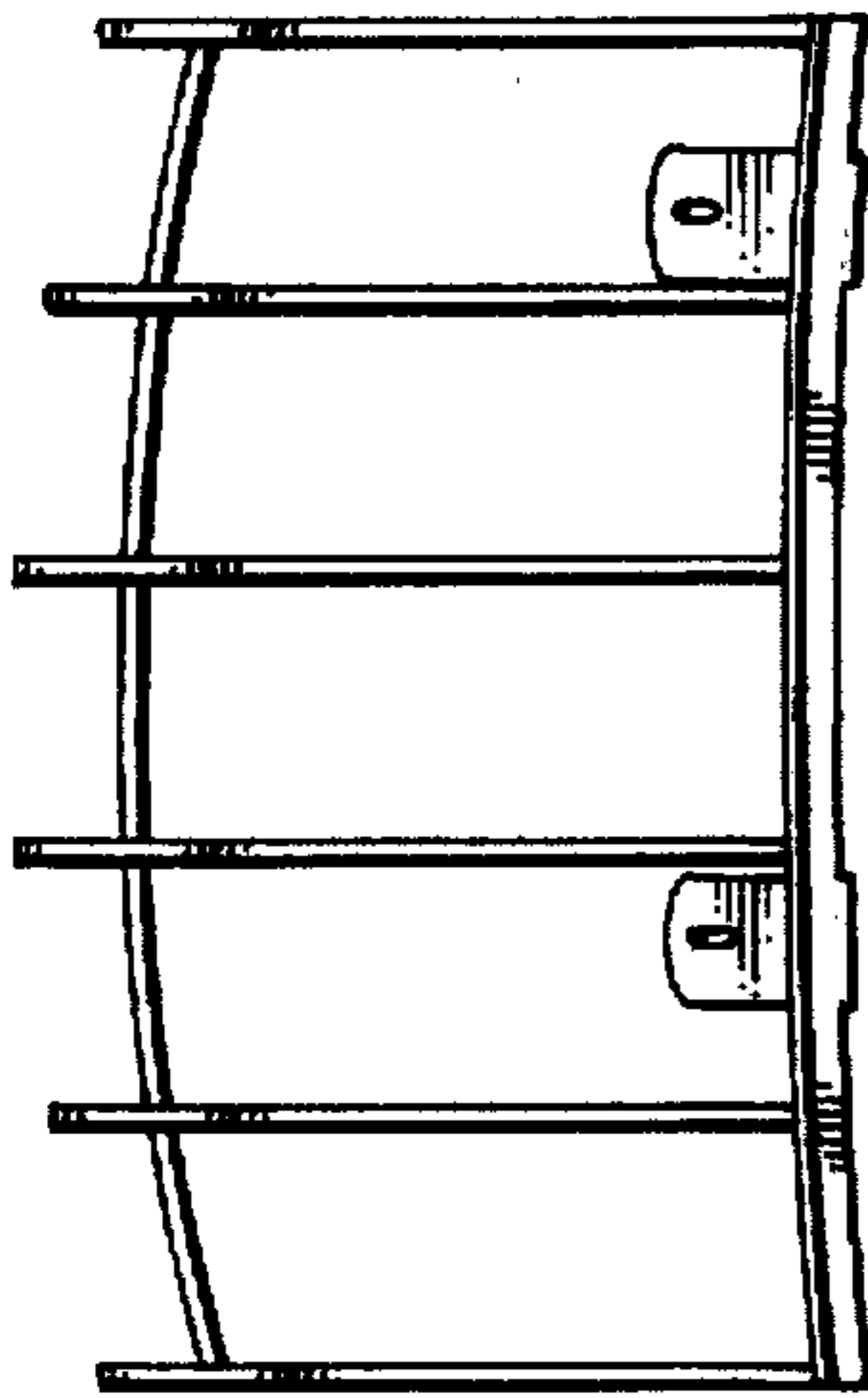


FIG. 3

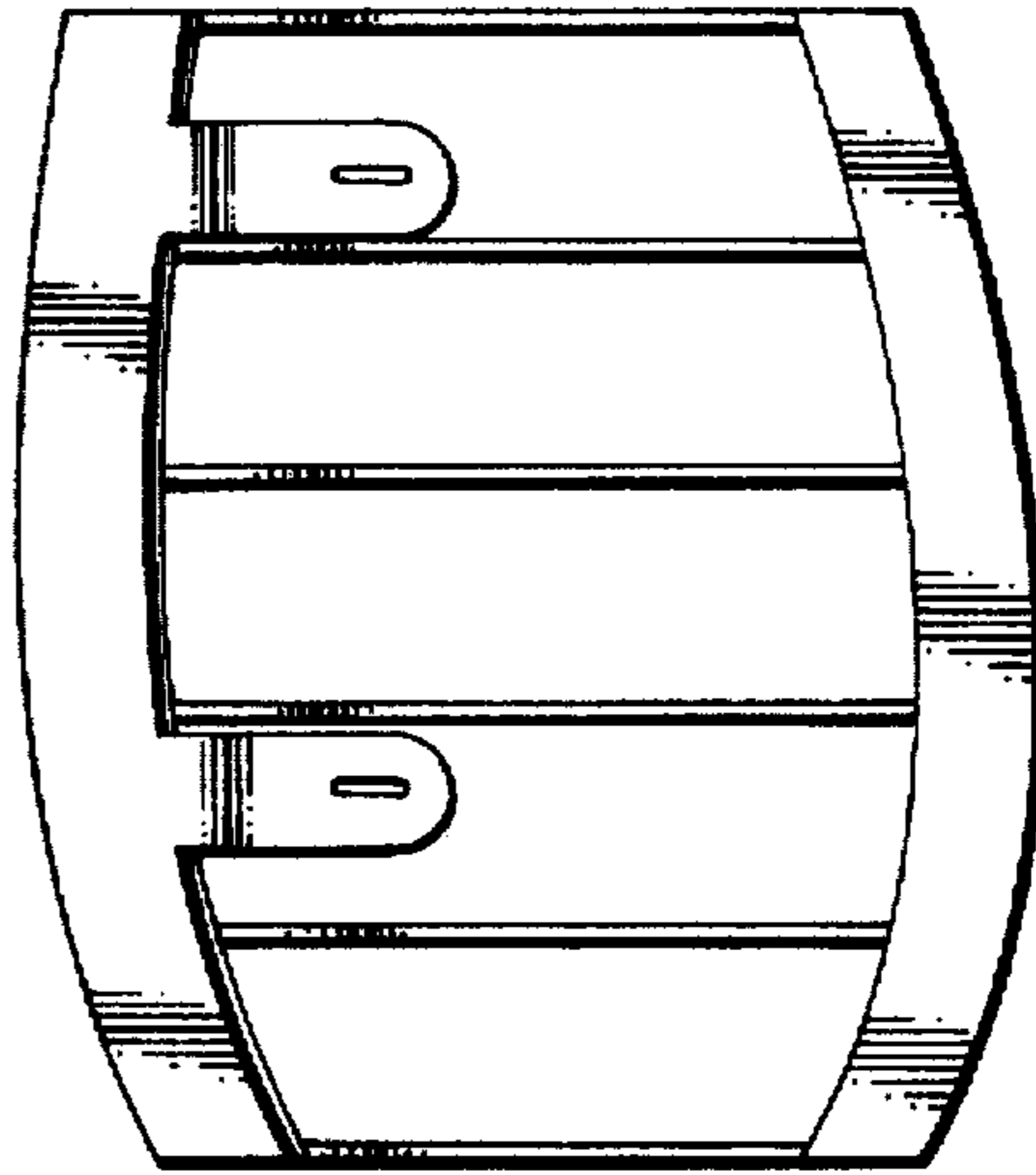


FIG. 1

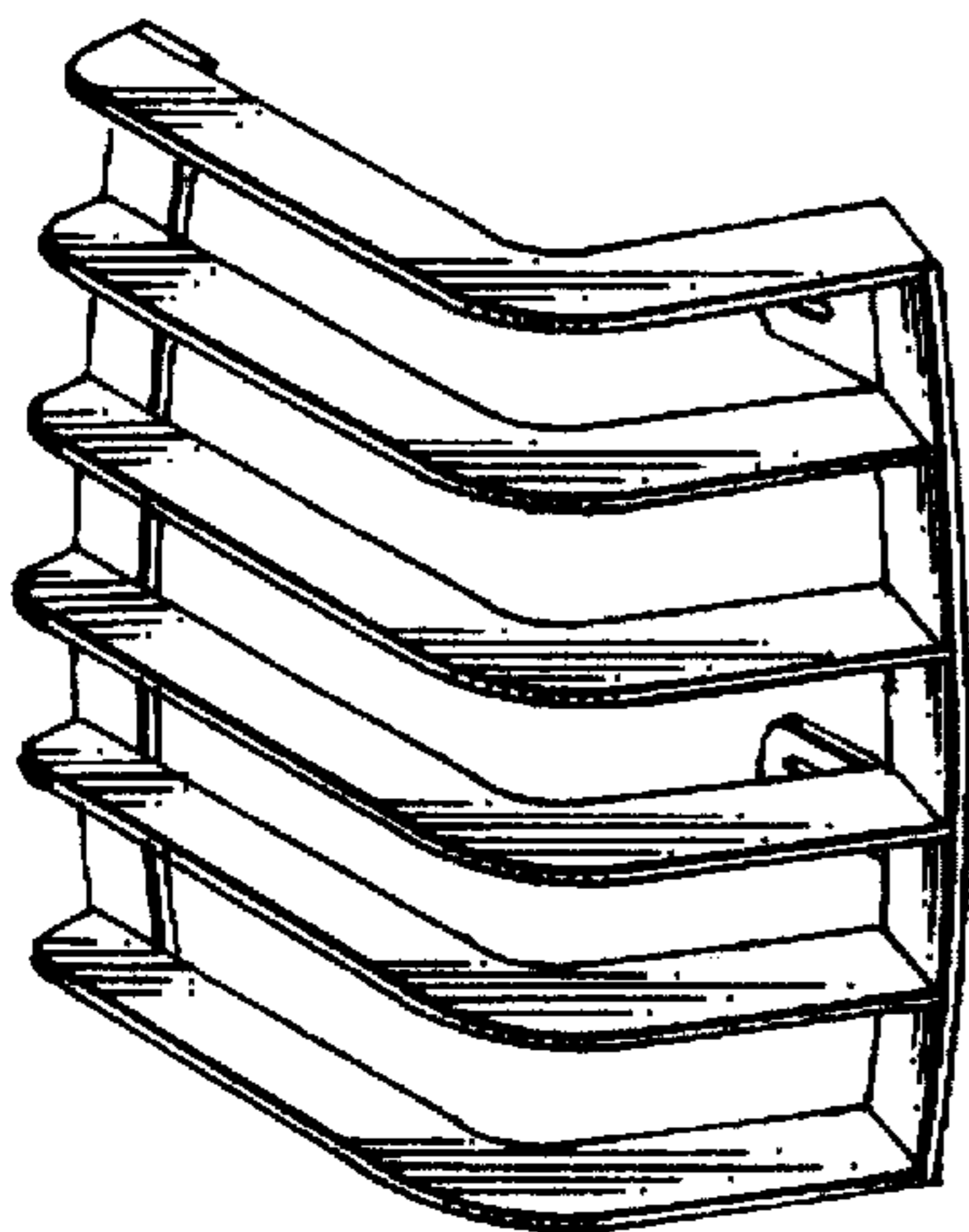


FIG. 4

