



US00D390814S

United States Patent [19]

[11] Patent Number: **Des. 390,814**

Weinacht

[45] Date of Patent: ****Feb. 17, 1998**

[54] PERSONAL WATERCRAFT TRAILER

[75] Inventor: **Kevin M. Weinacht**, Cresco, Iowa

[73] Assignee: **Featherlite Mfg., Inc.**, Cresco, Iowa

[**] Term: **14 Years**

[21] Appl. No.: **54,556**

[22] Filed: **May 15, 1996**

[51] LOC (6) Cl. **12-10**

[52] U.S. Cl. **D12/101**

[58] Field of Search **D12/101; 280/414.1-414.3, 280/482, 462; 414/529, 483**

[56] References Cited

U.S. PATENT DOCUMENTS

D. 308,953	7/1990	Godbersen	D12/106
D. 314,735	2/1991	Godbersen	D12/106
D. 346,772	5/1994	Godbersen	D12/101
D. 368,053	3/1996	Gallagher	D12/101
4,078,821	3/1978	Kitterman	280/460.1
4,519,738	5/1985	Wood	414/483
4,529,217	7/1985	Wood	280/414.1
4,717,165	1/1988	Johnson	280/414.1
4,779,888	10/1988	Raymond	280/414.1
4,801,153	1/1989	Wilson	280/414.1
4,875,700	10/1989	Monroe	280/414.1
4,900,051	2/1990	Godbersen	280/414.1
5,002,299	3/1991	Firehammer et al.	280/414.1
5,016,896	5/1991	Shafer	280/400
5,040,937	8/1991	Godbersen	280/414.1
5,060,963	10/1991	Godbersen	280/414.1
5,152,656	10/1992	Potter	280/462
5,417,447	5/1995	Godbersen	280/414.1
5,518,261	5/1996	Godbersen	280/414.1

OTHER PUBLICATIONS

Shoreland'r document entitled "90 Personal Watercraft Trailers", one page.
 Shoreland'r document entitled "Personal Watercraft Trailers", dated 1992, one page.
 Tow Go™ advertisement from Water Scooter magazine, May 1992 issue.

Triton Corp. advertisement from Water Scooter magazine, Apr., 1992 issue.

PWC Magazine article entitled "New Products — What you Need to Keep Up With the Joneses," cover page and pp. 64 and 65, dated Mar., 1995.

Deep Performance, EZ Loader and Inter West Ltd. advertisements from Watercraft World, cover page and pp. 40, 90, and 143, dated Aug., 1995.

Steelco, Inc. brochure entitled "Sportsman 1954-1995," 4 pages.

Spartan Products, Inc. brochure entitled "Spartan 1995," 12 pages.

Triton brochure entitled "Triton Aluminum Personal Watercraft Trailers," 2 pages, dated 1995.

EZ Loader Boat Trailers brochure entitled "EZ Loader Water Vehicle Trailer Catalog," 4 pages, dated 1995.

Midwest Industries, Inc. catalog entitled "Shoreland'r Quality Boat Trailers," 14 pages, dated 1995.

Midwest Industries, Inc. brochure entitled "Shoreland'r PWC," 2 pages, 1995.

Midwest Industries, Inc. advertisement from Boat & Motor Dealer magazine dated Jul. 1994, one page 22.

Primary Examiner—Melody N. Brown

Attorney, Agent, or Firm—Merchant, Gould, Smith, Edell, Welter & Schmidt, P.A.

[57] CLAIM

The ornamental design for a personal watercraft trailer, as shown.

DESCRIPTION

FIG. 1 is a perspective view of a personal watercraft trailer showing my new design;

FIG. 2 is a left side elevational view thereof;

FIG. 3 is a right side elevational view thereof;

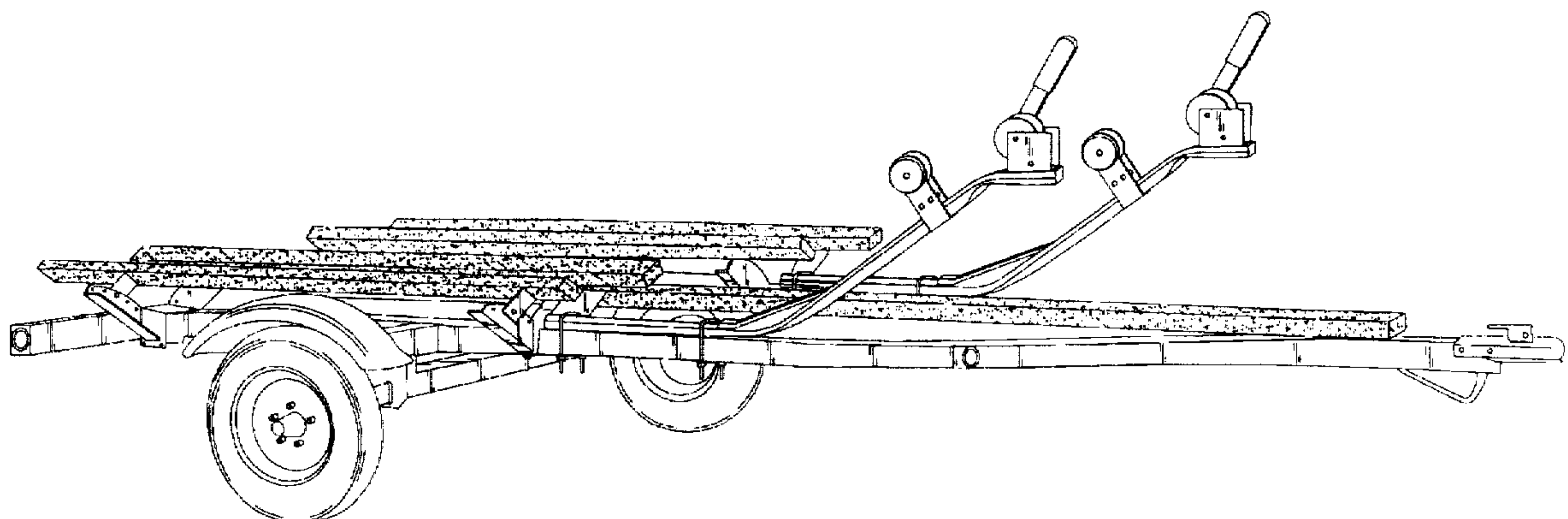
FIG. 4 is a top plan view thereof;

FIG. 5 is a bottom plan view thereof;

FIG. 6 is a front elevational view thereof; and,

FIG. 7 is a rear elevational view thereof.

1 Claim, 7 Drawing Sheets



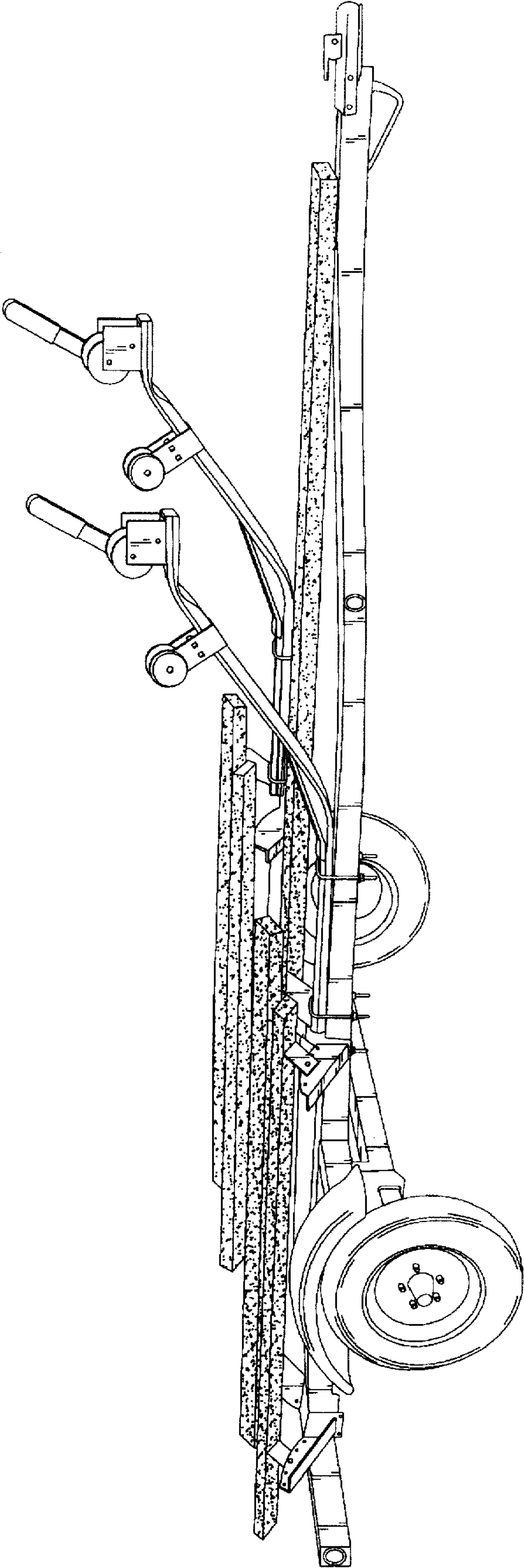


FIG. 1

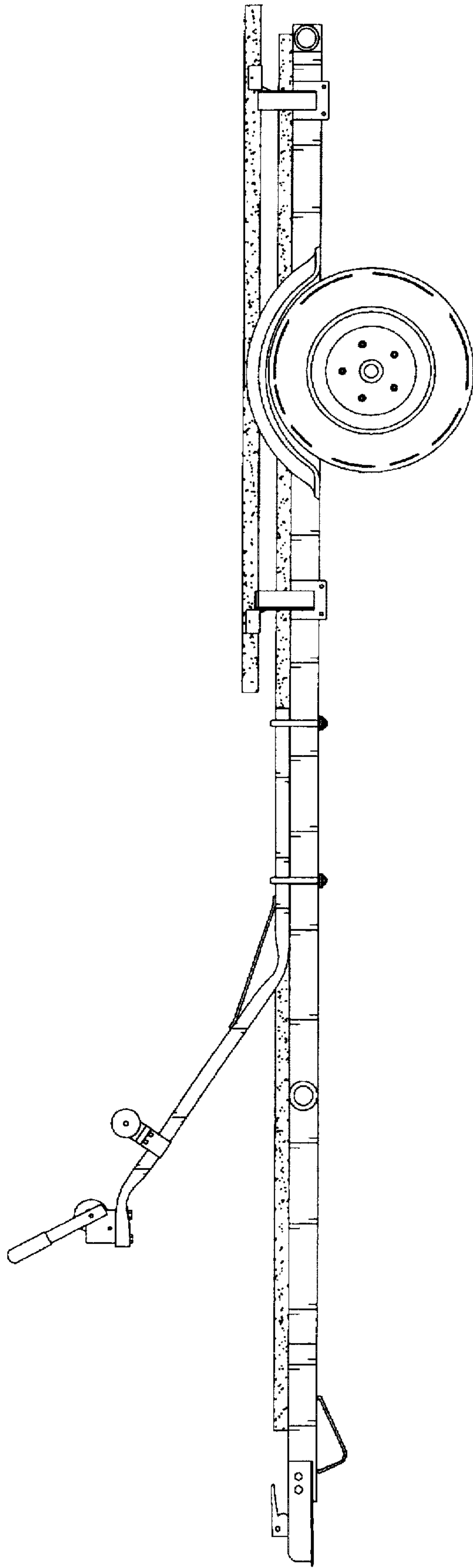


FIG. 2

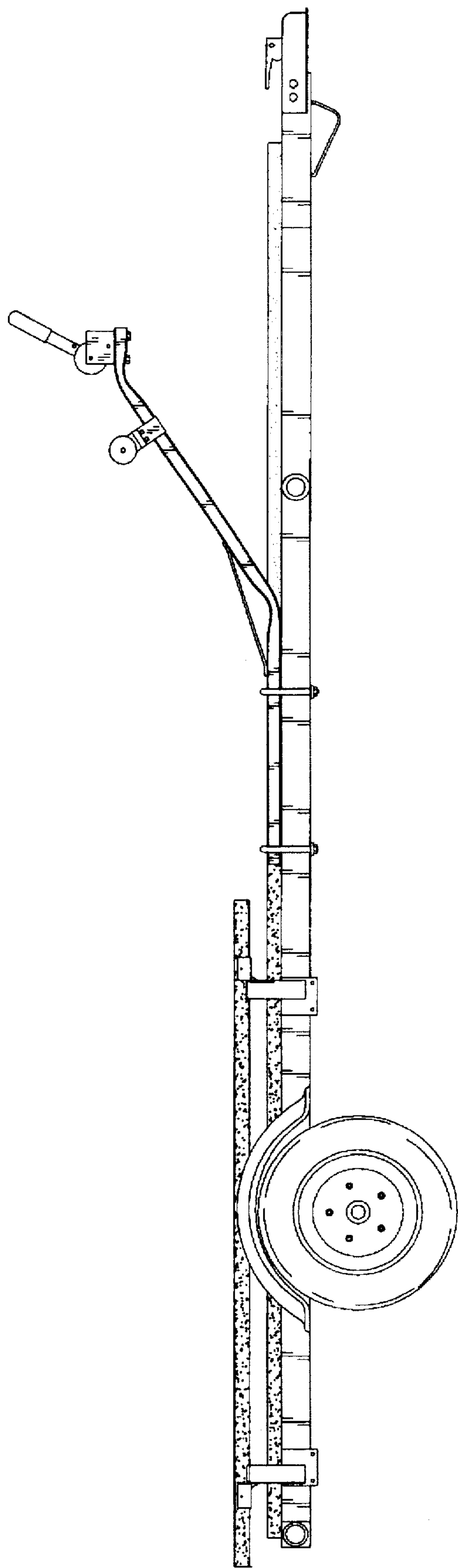


FIG. 3

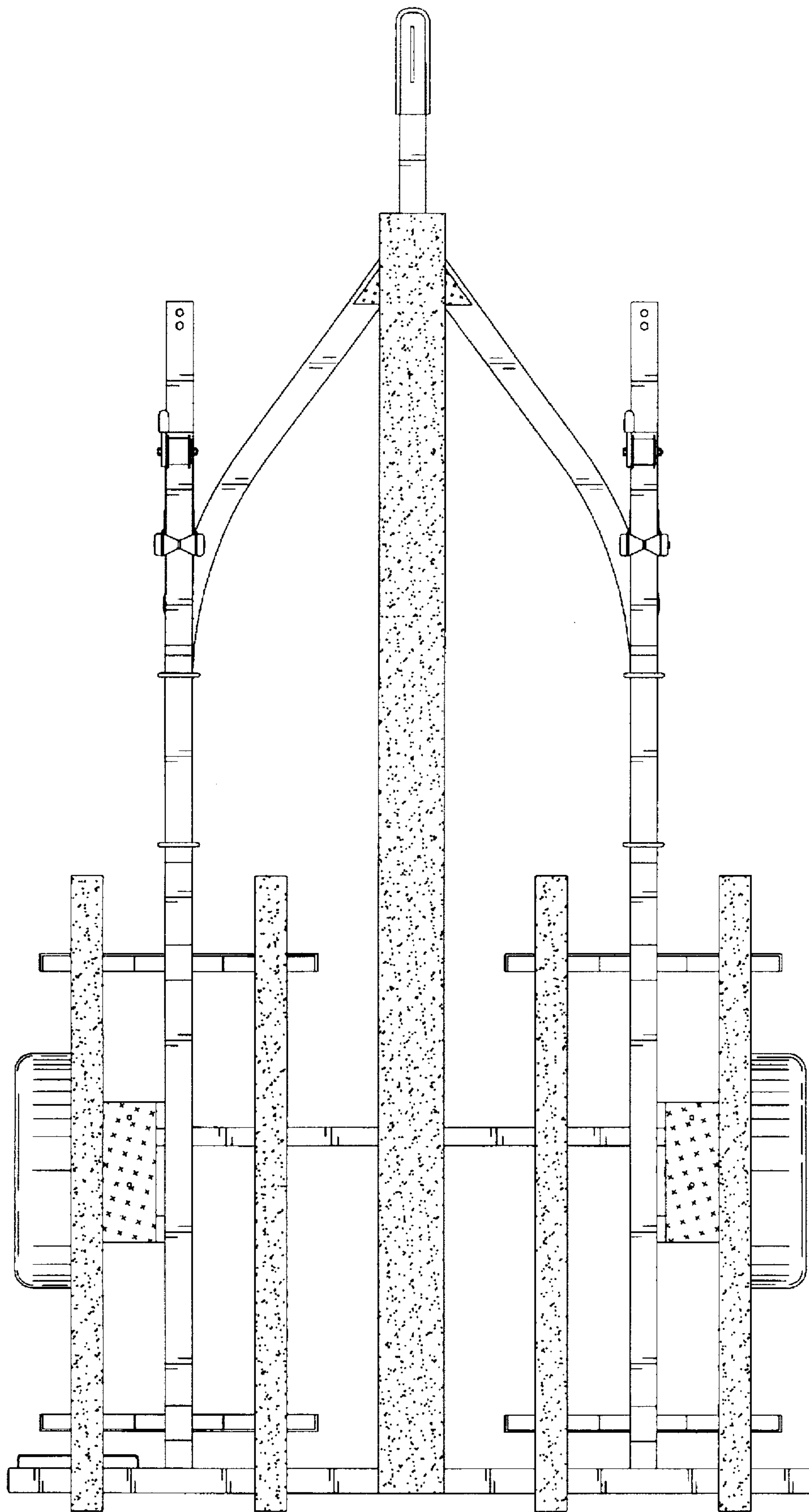


FIG. 4

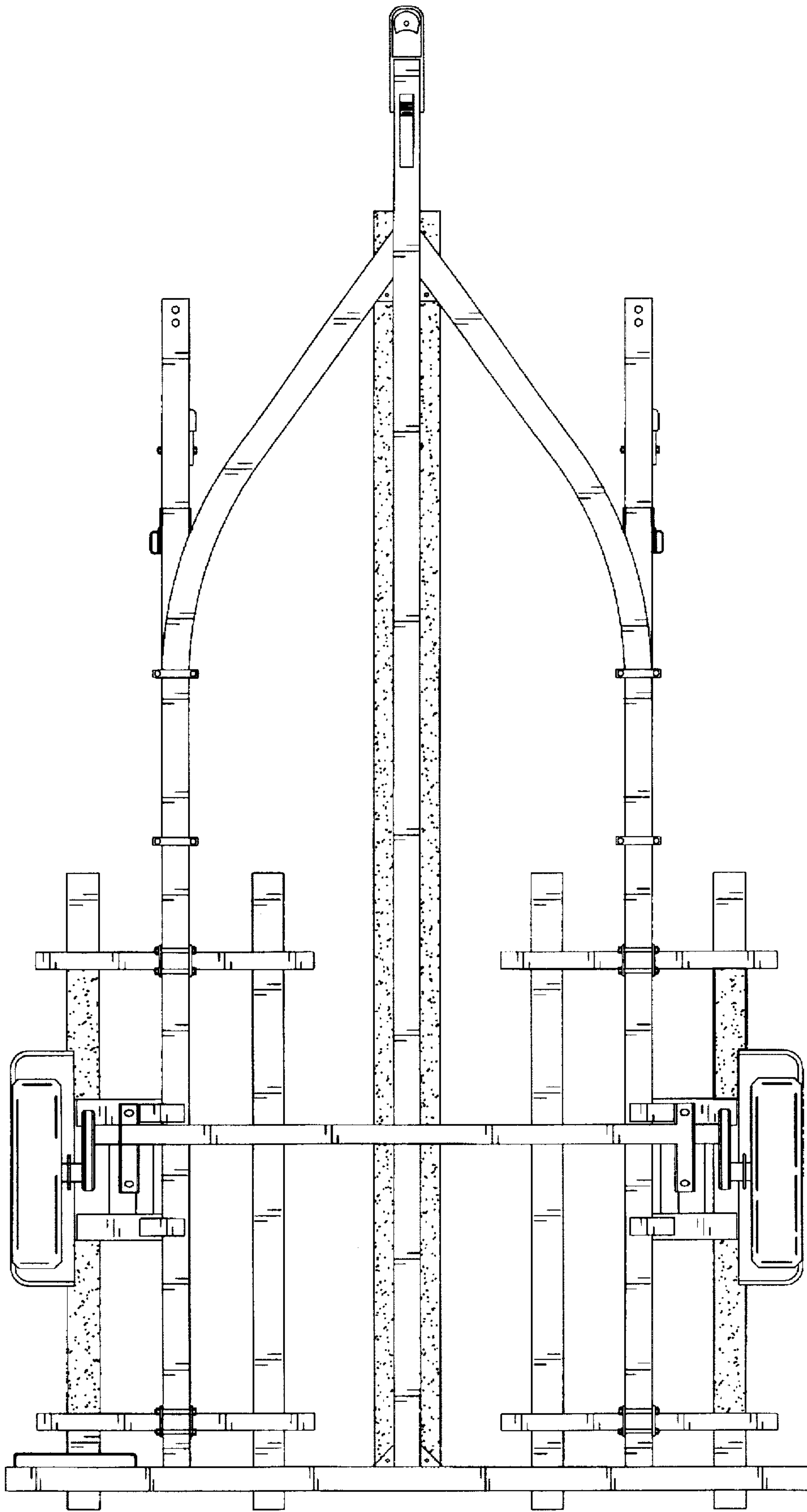


FIG. 5

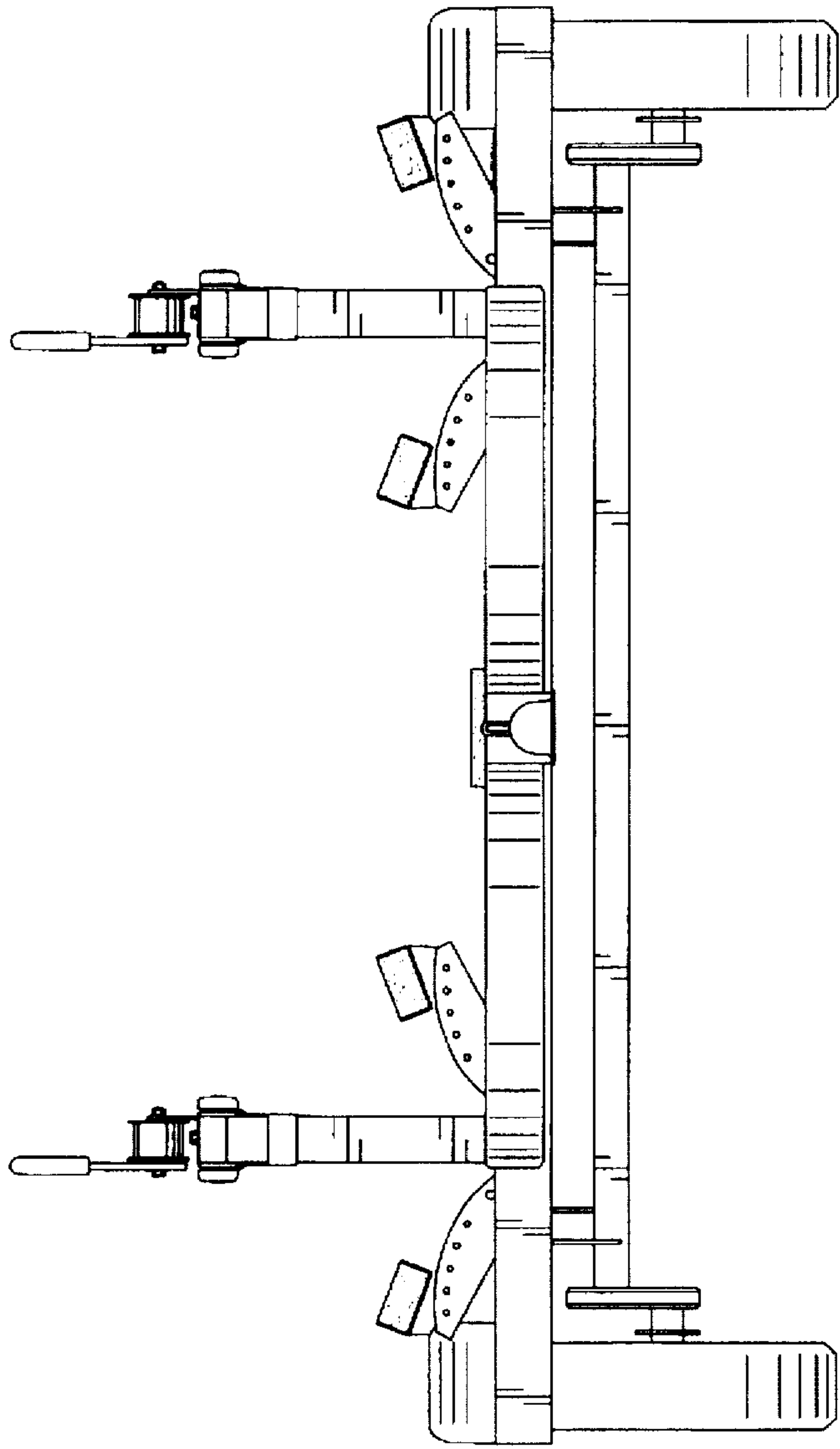


FIG. 6

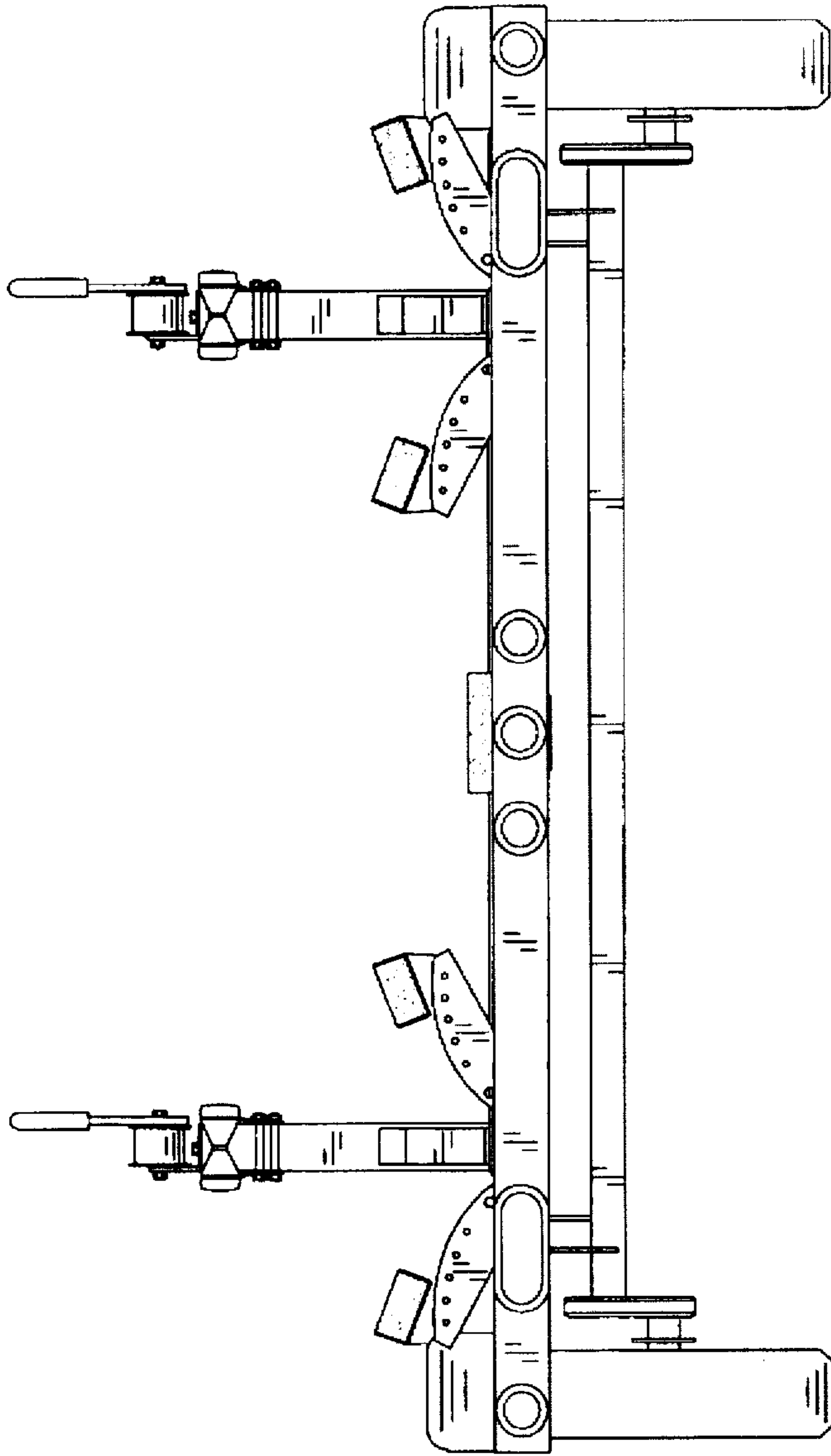


FIG. 7