



US00D390812S

United States Patent [19]
Oda

[11] **Patent Number: Des. 390,812**
[45] **Date of Patent: **Feb. 17, 1998**

[54] **SLIDER BODY OF SLIDE FASTENER**
[75] **Inventor: Kiyoshi Oda, Namerikawa, Japan**
[73] **Assignee: YKK Corporaion, Tokyo, Japan**
[**] **Term: 14 Years**

Primary Examiner—Ralf Seifert
Attorney, Agent, or Firm—Hill, Steadman & Simpson

[57] **CLAIM**

The ornamental design for “slider body of slide fastener”, as shown.

DESCRIPTION

FIG. 1 is a front elevationl view of a slider body of slide fastener showing my new design;
FIG. 2 is a right side elevational view;
FIG. 3 is a top plan view;
FIG. 4 is a bottom plan view;
FIG. 5 is a rear elevational view; and,
FIG. 6 is a top plan view, the broken line showing of a pull tab is for illustrative purposes only and forms no part of the claimed design;
FIG. 7 is a cross-sectional view taken along the line 7—7 of FIG. 1; and,
FIG. 8 is a cross sectional view taken along the line 8—8 of FIG. 1.

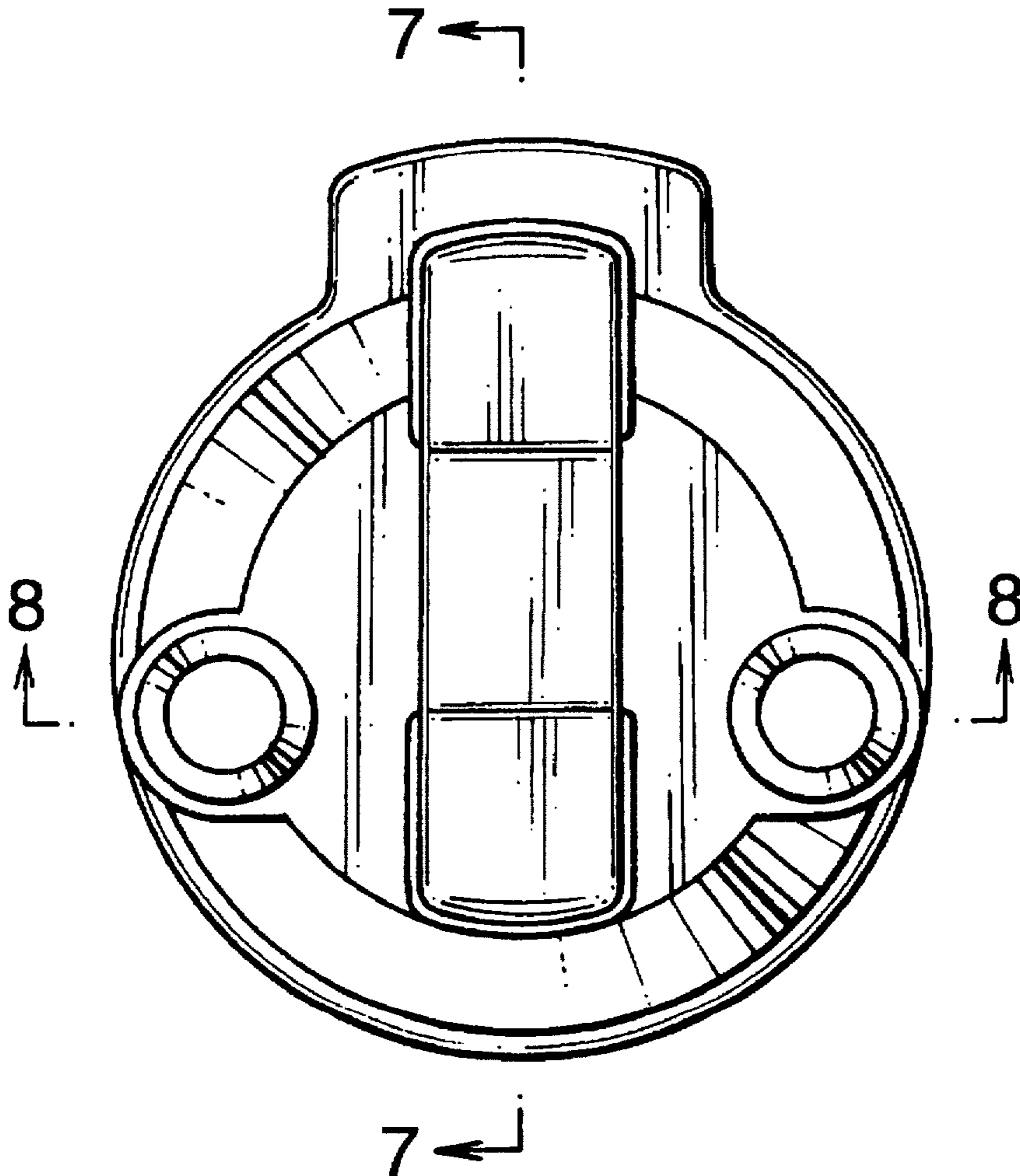
[21] **Appl. No.: 64,052**
[22] **Filed: Dec. 20, 1996**
[30] **Foreign Application Priority Data**
Jul. 3, 1996 [JP] Japan 8-19839
[51] **LOC (6) Cl. 02-07**
[52] **U.S. Cl. D11/221**
[58] **Field of Search D11/200, 221;**
24/381, 385, 415-417, 427-431; 70/456;
264/252

[56] **References Cited**

U.S. PATENT DOCUMENTS

D. 121,338 7/1940 Marinsky D11/221
D. 123,187 10/1940 Morin D11/221
D. 125,890 3/1941 Holland D11/221

1 Claim, 2 Drawing Sheets



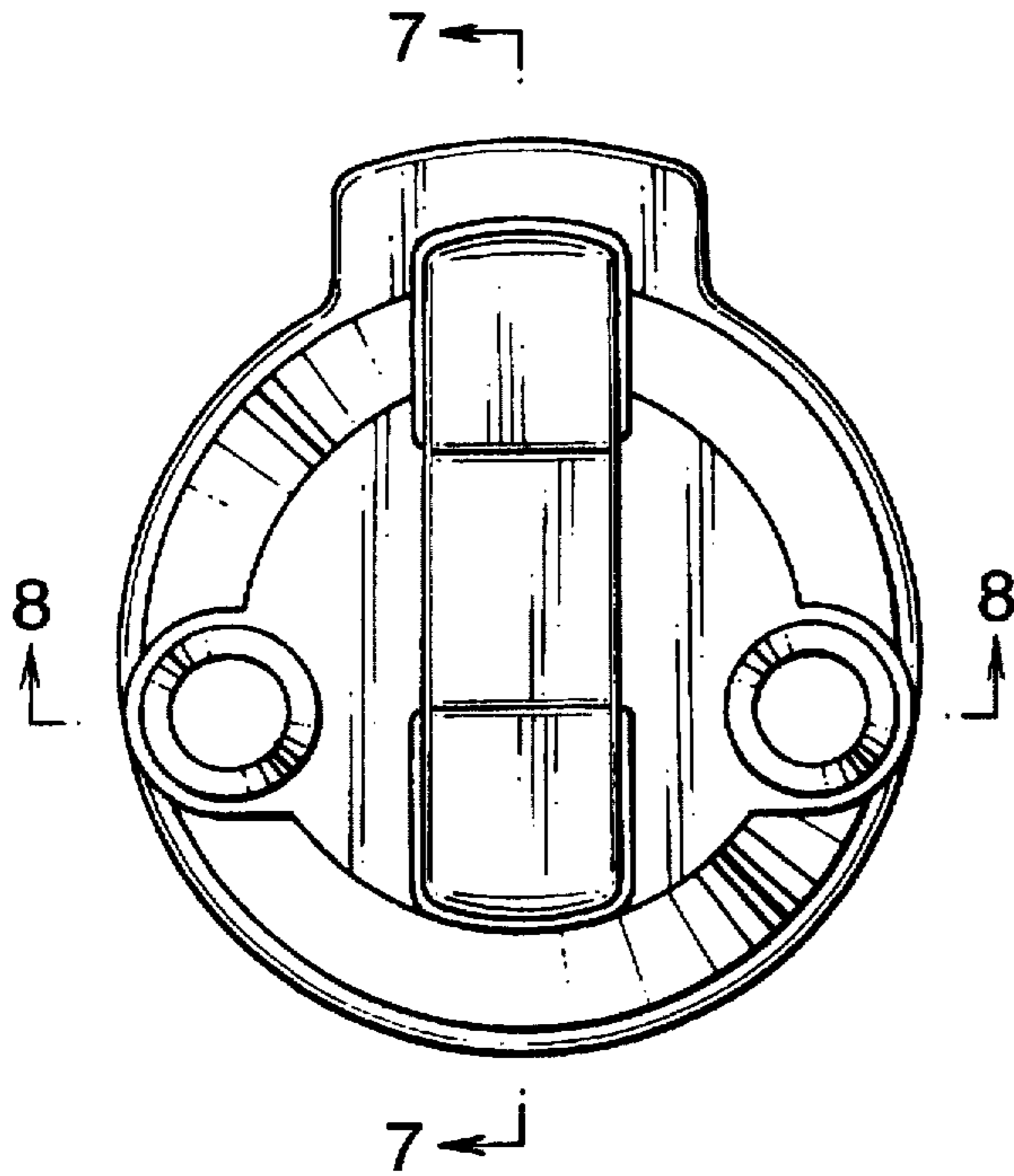


FIG. 1

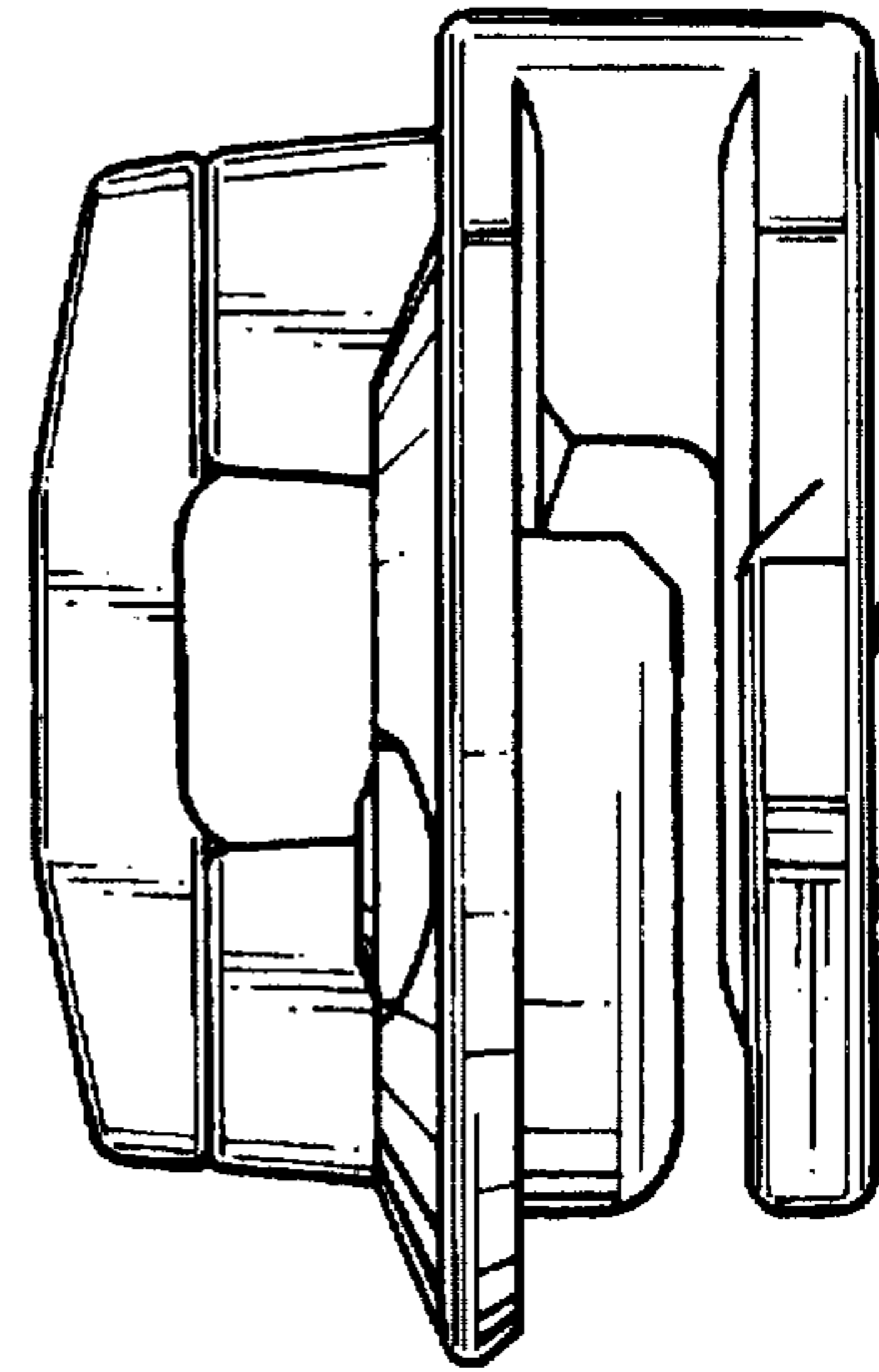


FIG. 2

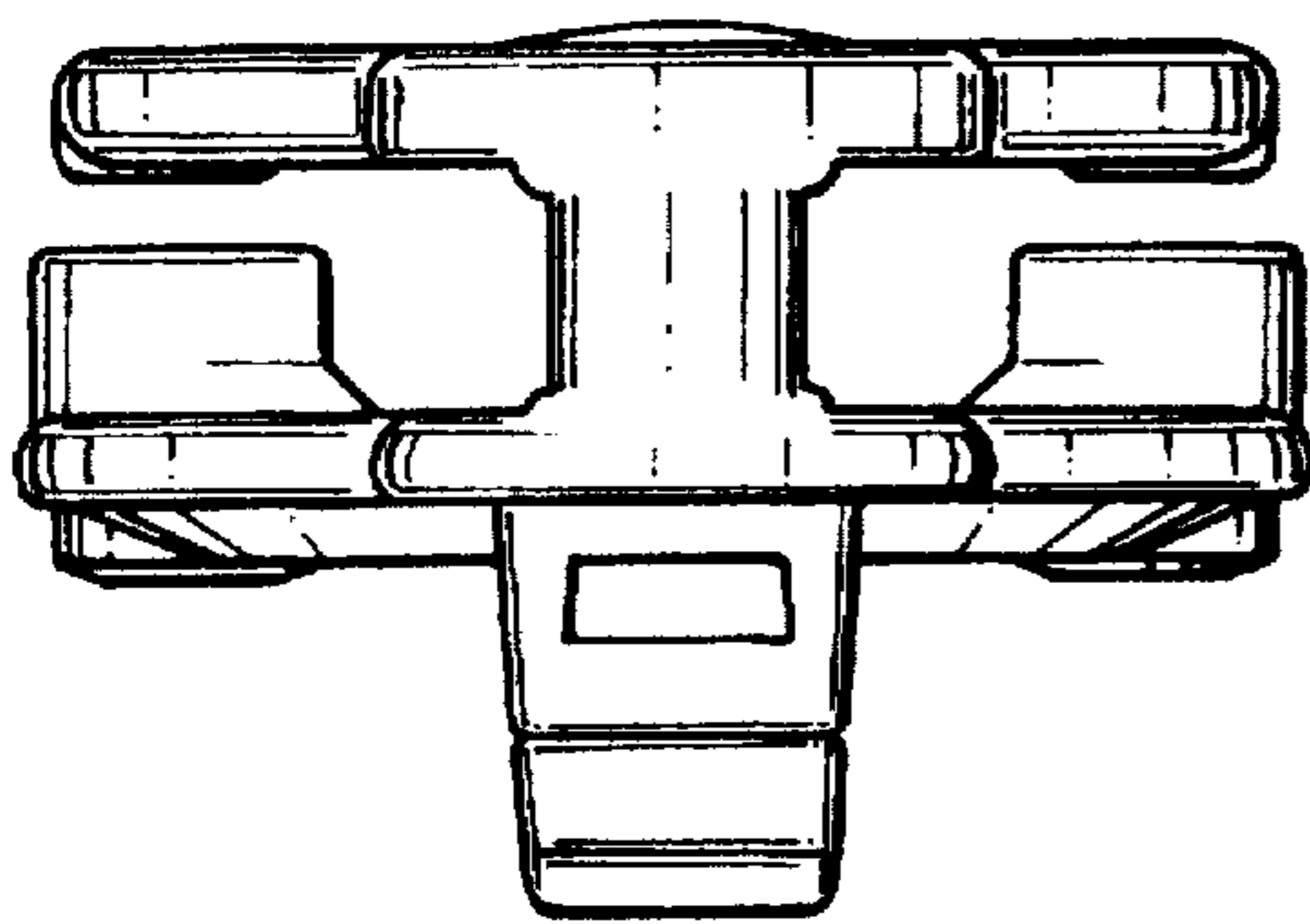


FIG. 3

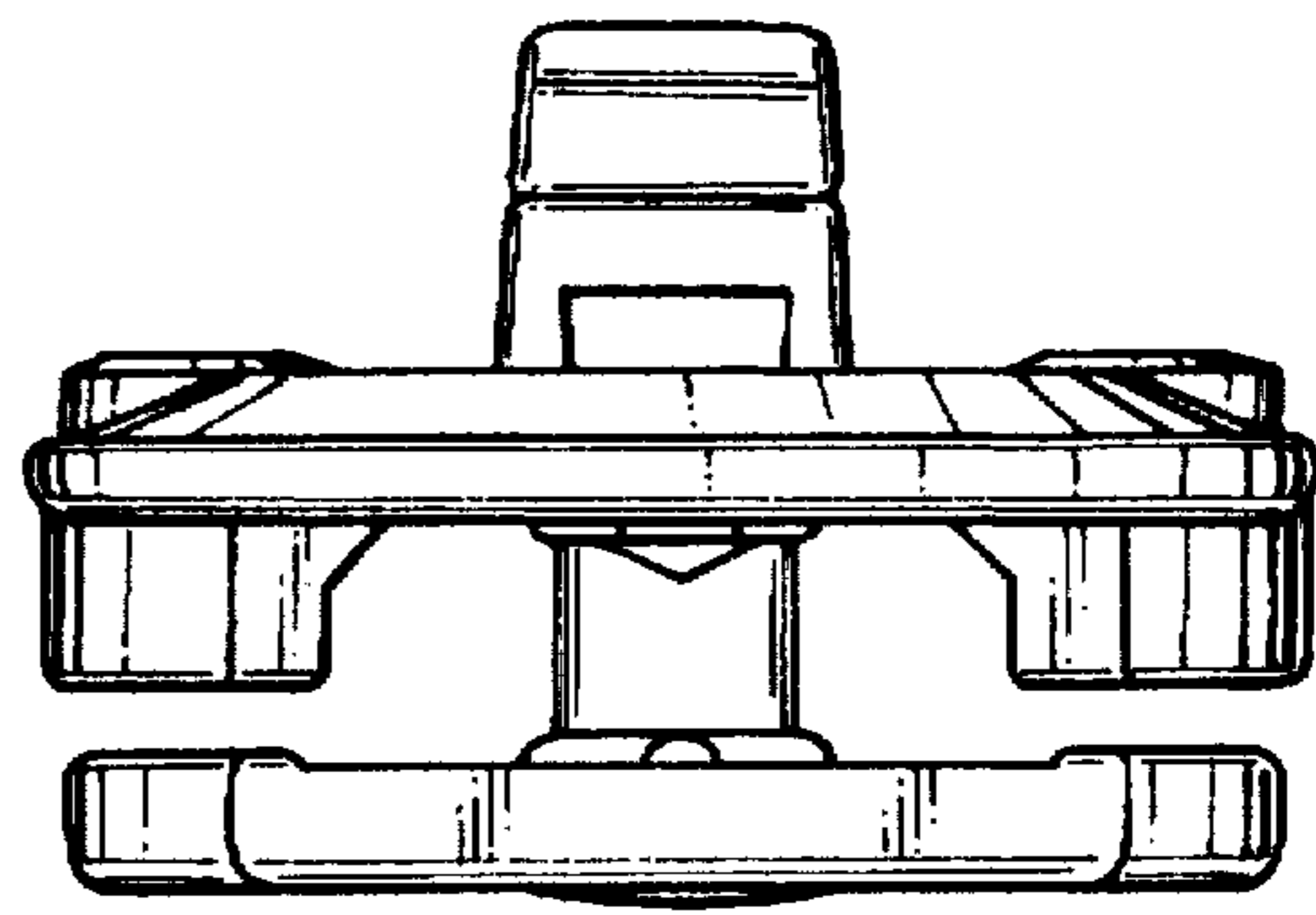


FIG. 4

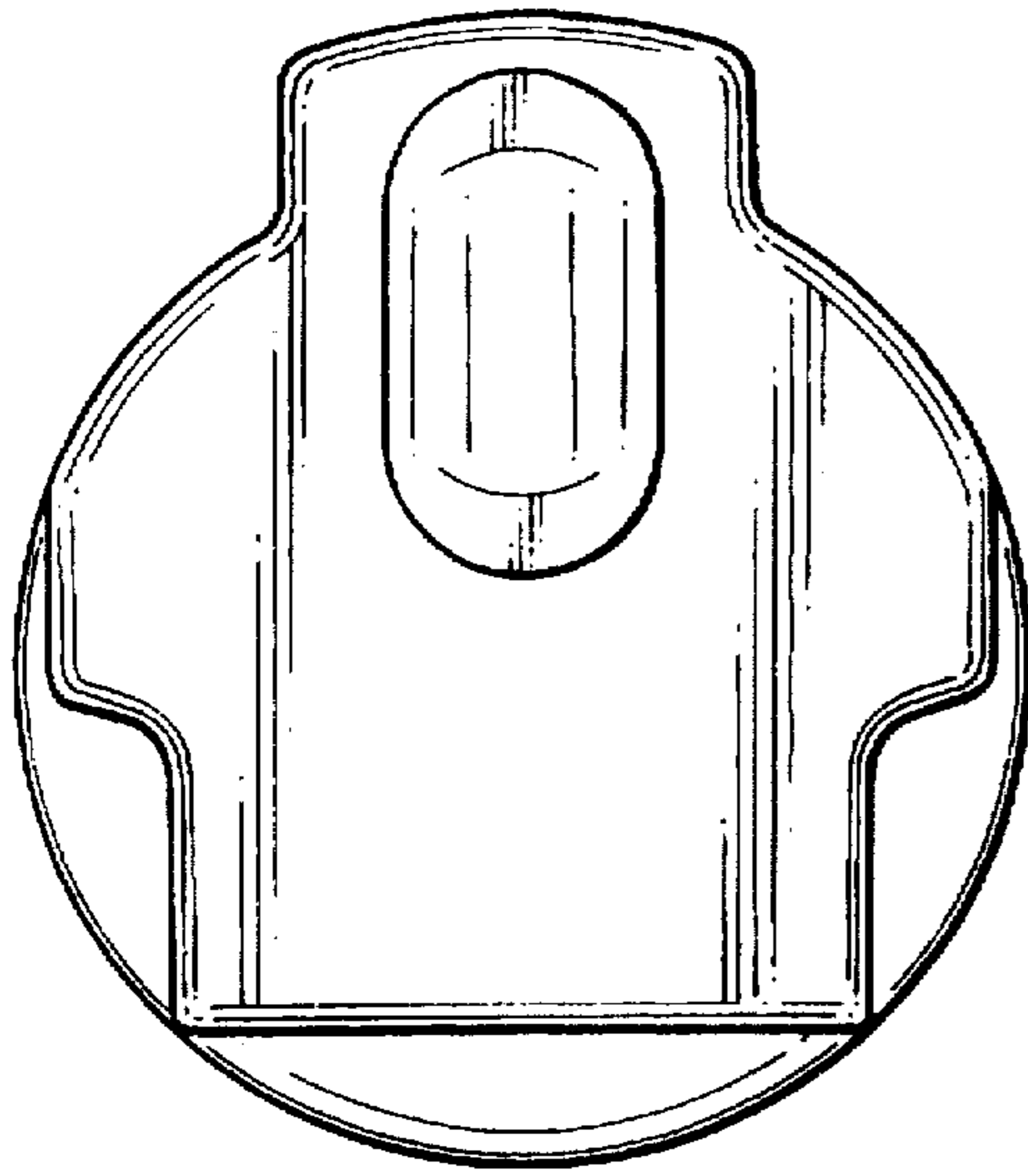


FIG. 5

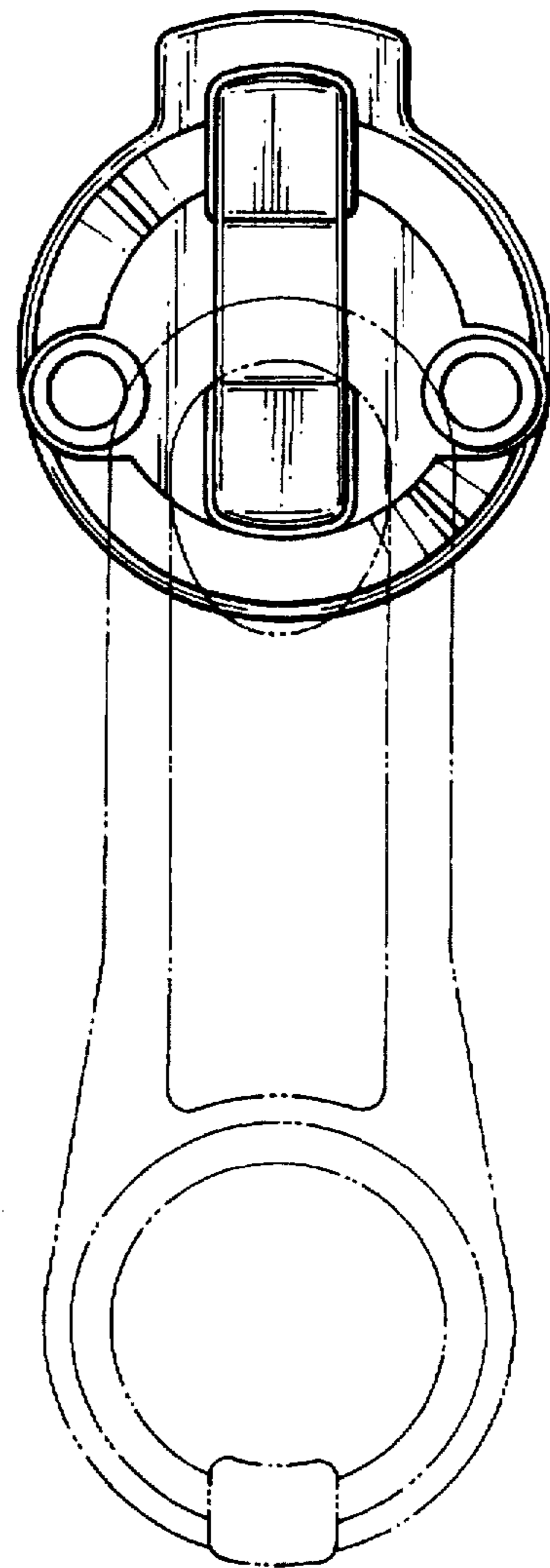


FIG. 6

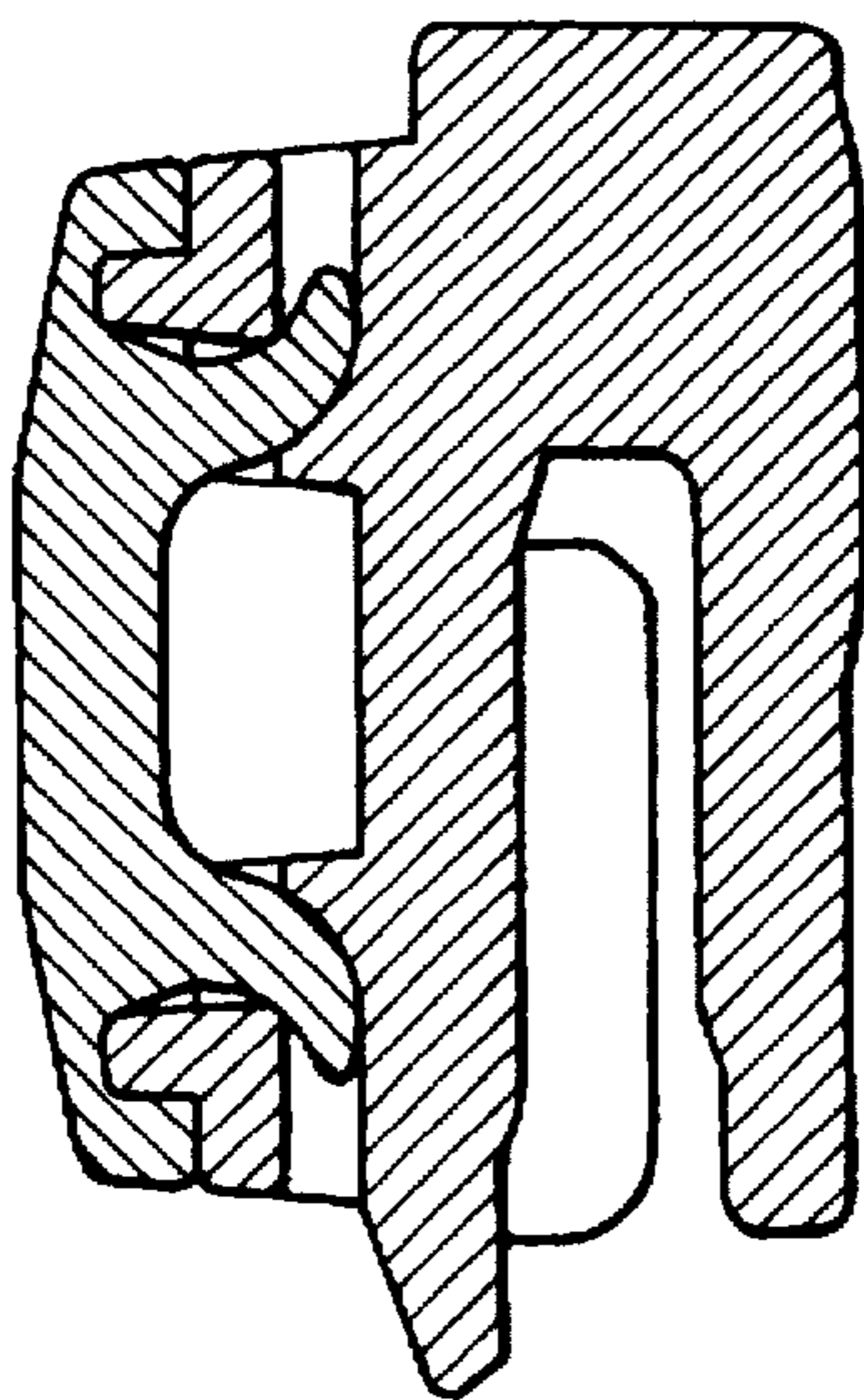


FIG. 7

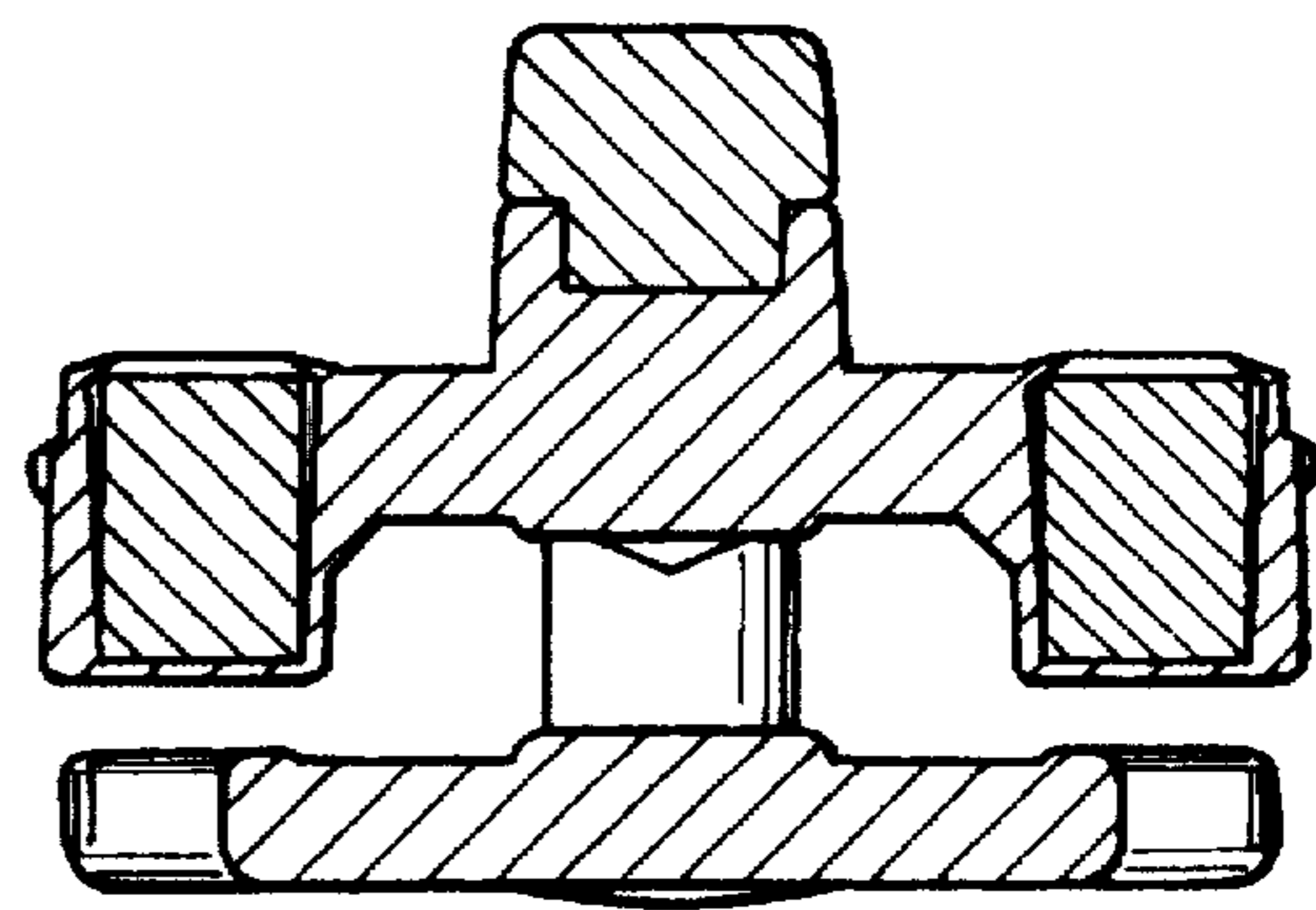


FIG. 8