



US00D390811S

United States Patent [19]
Yaguramaki

[11] **Patent Number:** **Des. 390,811**
[45] **Date of Patent:** ****Feb. 17, 1998**

[54] **SLIDER FOR SLIDE FASTENER**
[75] **Inventor:** **Iwao Yaguramaki, Namerikawa, Japan**
[73] **Assignee:** **YKK Corporation, Tokyo, Japan**
[**] **Term:** **14 Years**

D. 227,947 7/1973 Swenn D11/221
D. 234,412 3/1975 Swan D11/221
D. 371,524 7/1996 Ikehara D11/221
2,854,722 10/1958 Ruding et al. D11/221

Primary Examiner—Ralf Seifert
Attorney, Agent, or Firm—Hill, Steadman & Simpson

[21] **Appl. No.:** **64,051**
[22] **Filed:** **Dec. 20, 1996**

[57] **CLAIM**

The ornamental design for "slider for slide fastener", as shown.

[30] **Foreign Application Priority Data**

Jul. 3, 1996 [JP] Japan 8-19837

DESCRIPTION

[51] **LOC (6) Cl.** **02-07**
[52] **U.S. Cl.** **D11/221**
[58] **Field of Search** **D11/200, 221;**
24/381, 385, 415-417, 427-431; 70/456;
264/252

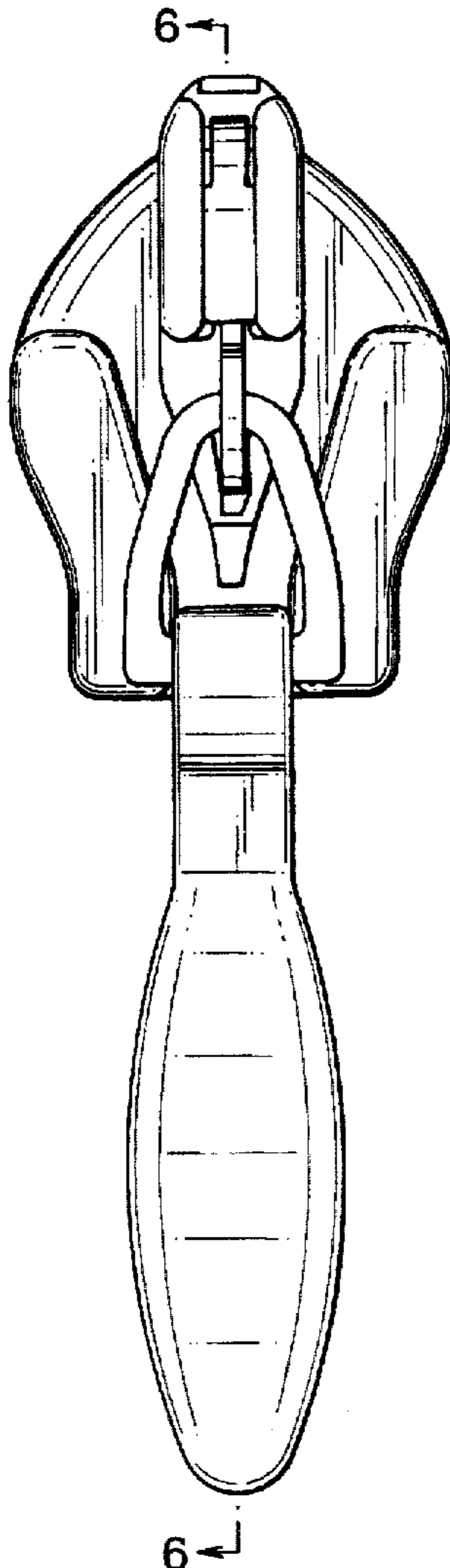
FIG. 1 is a front elevational view of a slider body of slide fastener showing my new design;
FIG. 2 is a right side elevational view;
FIG. 3 is a rear elevational view;
FIG. 4 is a top plan view;
FIG. 5 is a bottom plan view; and,
FIG. 6 is a cross-sectional view taken along the line 6—6 of FIG. 1.

[56] **References Cited**

U.S. PATENT DOCUMENTS

D. 193,297 7/1962 Carlie D11/43

1 Claim, 3 Drawing Sheets



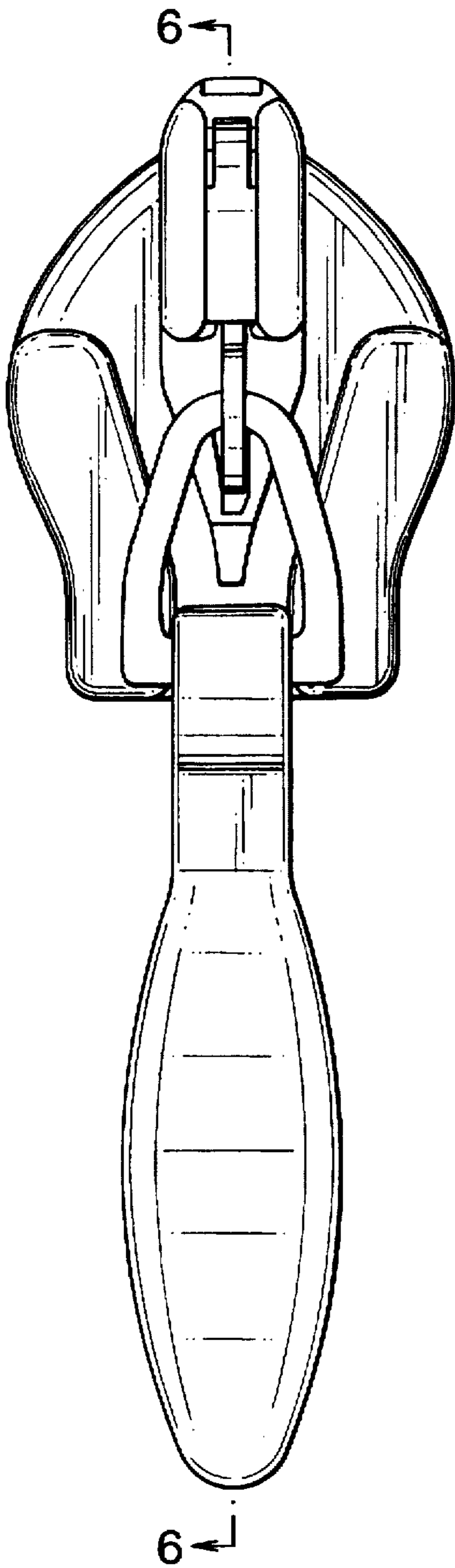


FIG. 1

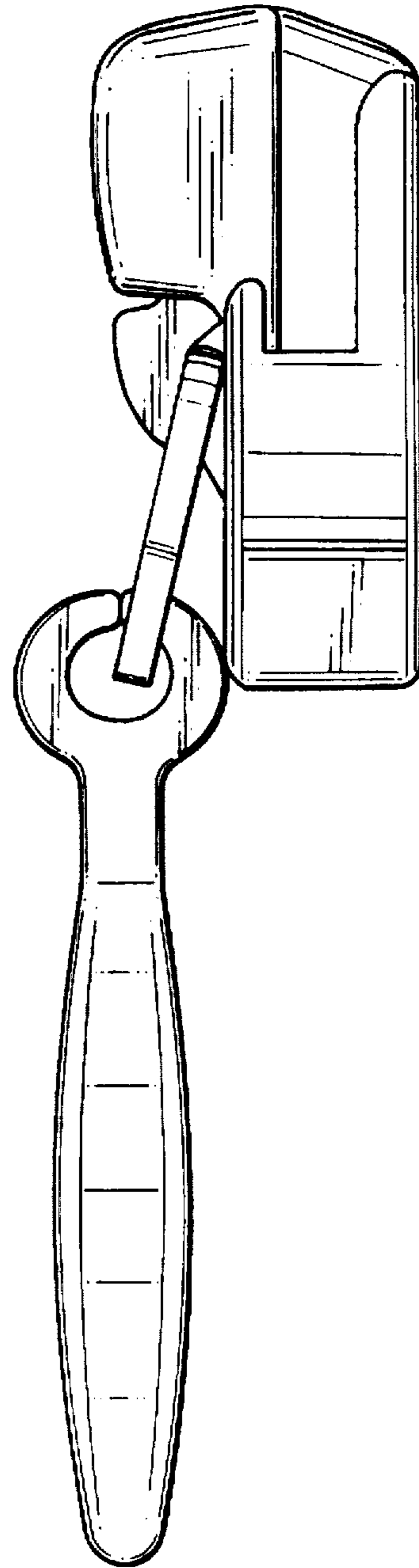


FIG. 2

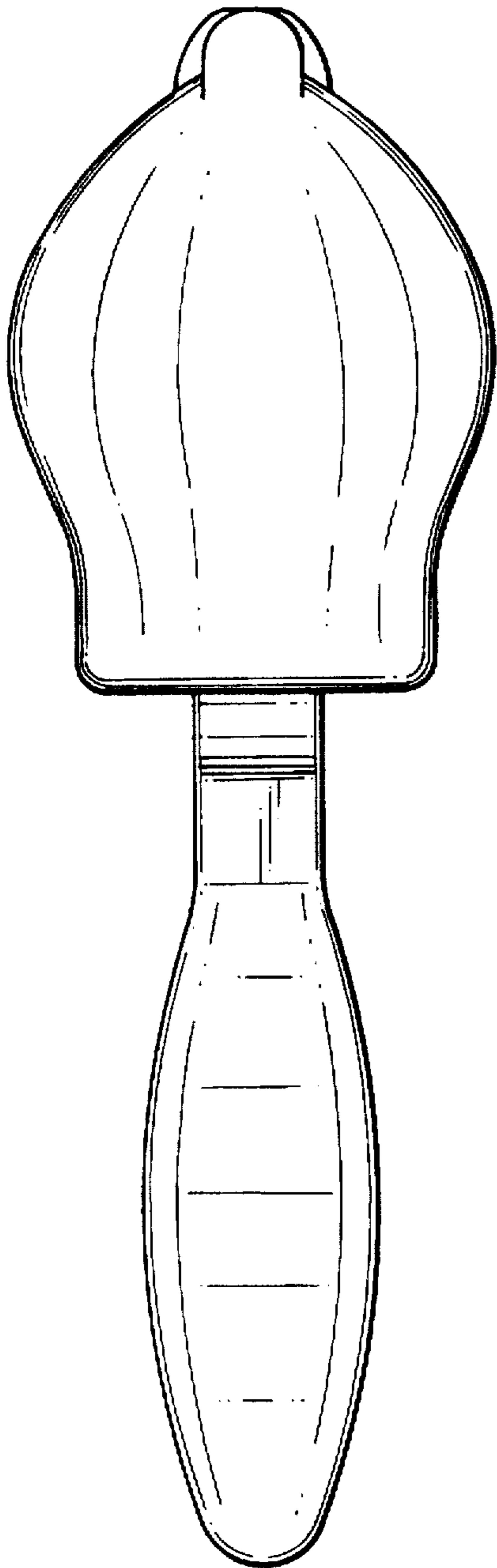


FIG. 3

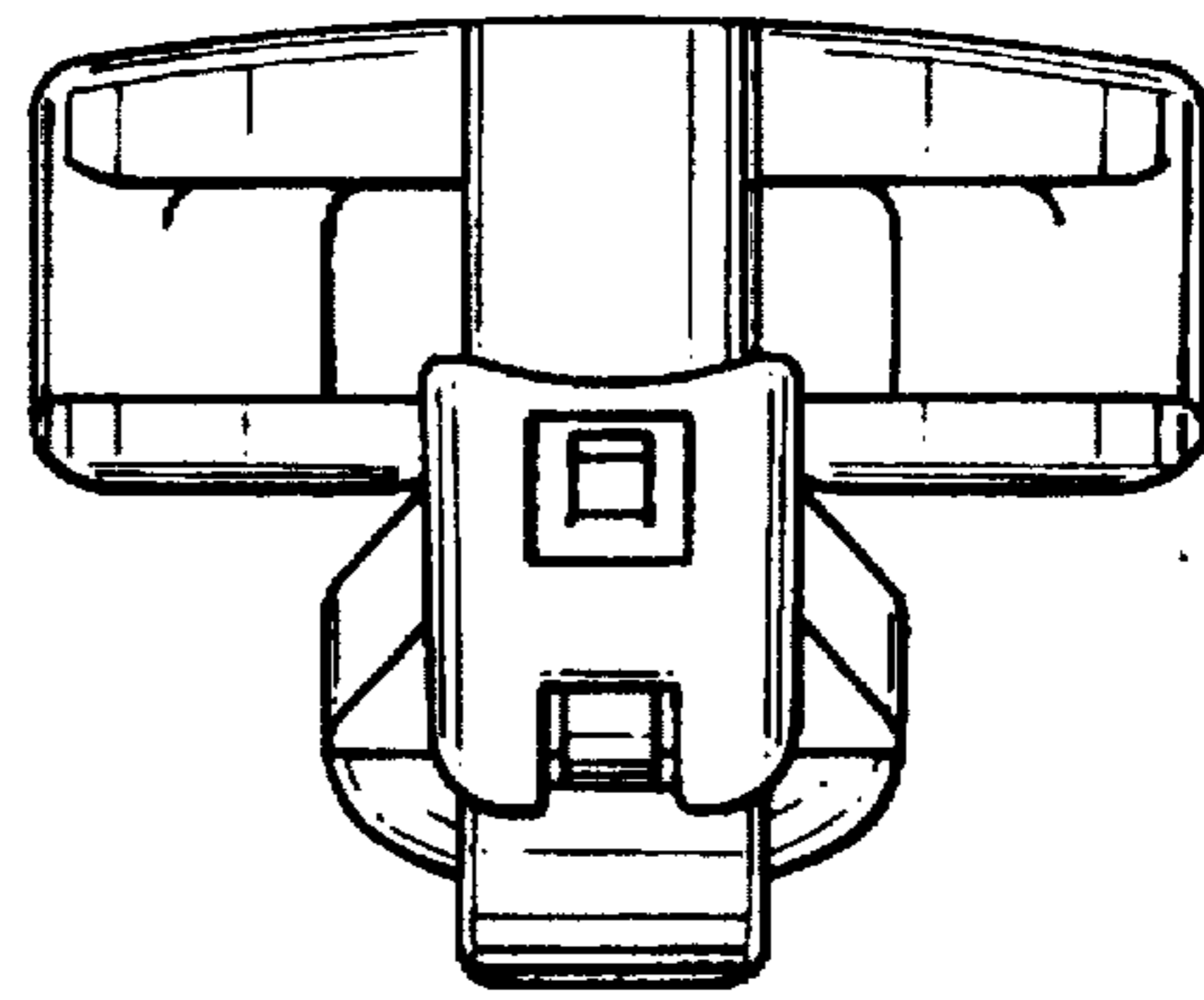


FIG. 4

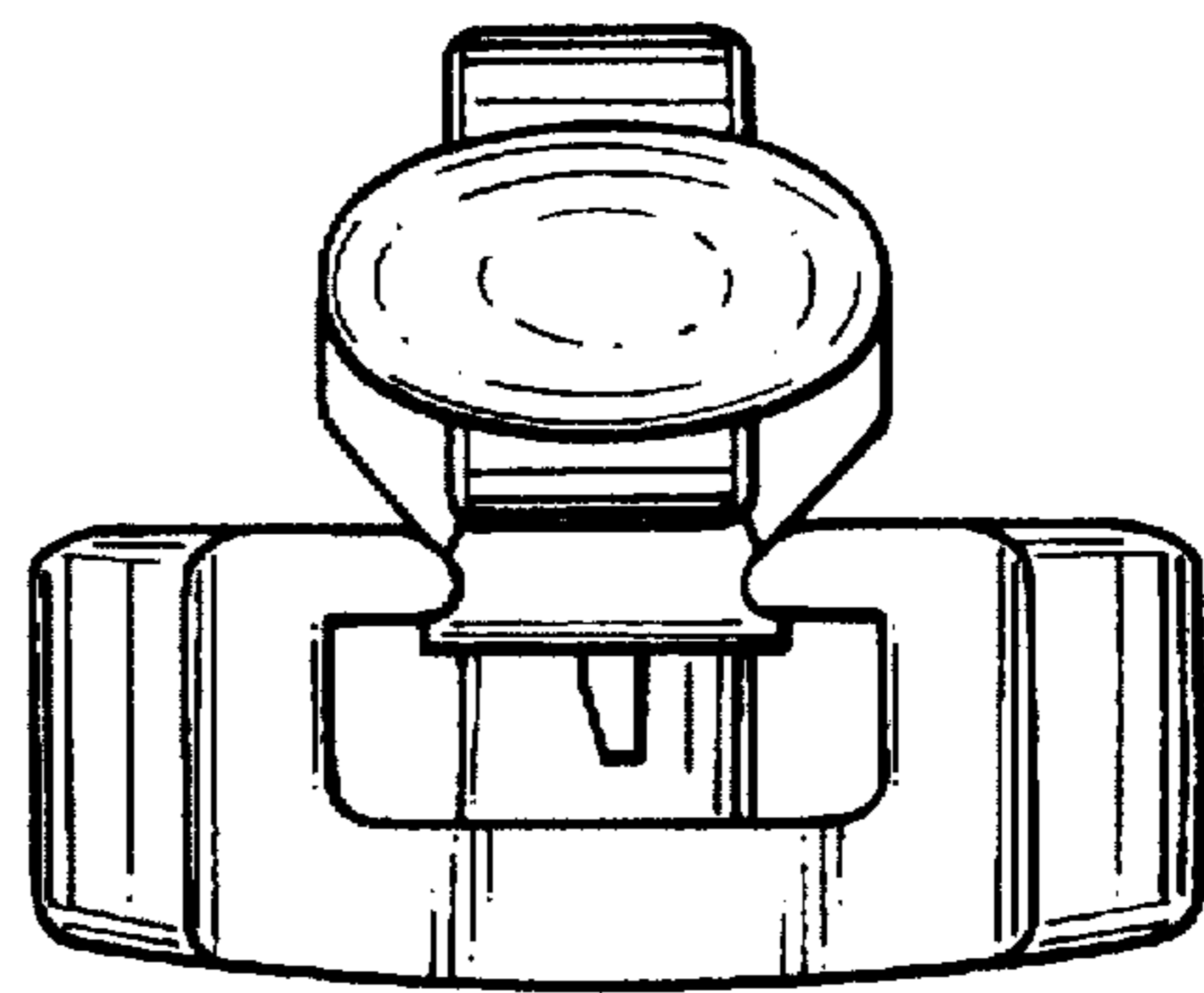


FIG. 5

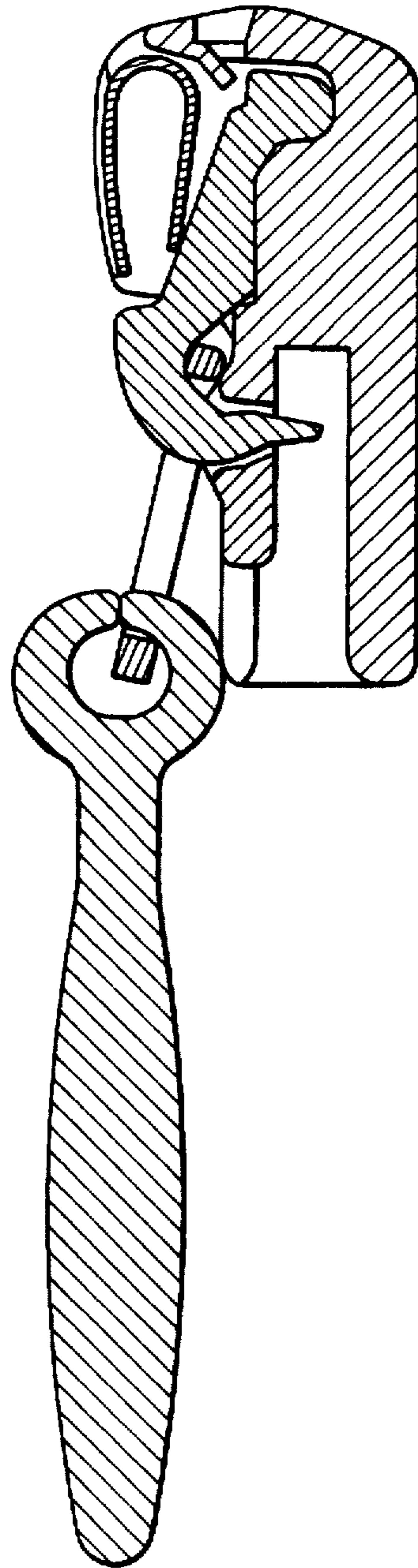


FIG. 6