



US00D390810S

# United States Patent [19]

[11] Patent Number: **Des. 390,810**

**Quick**

[45] Date of Patent: **\*\*Feb. 17, 1998**

[54] **POWER CORD STRAIN RELIEF TETHER BUCKLE**

*Primary Examiner*—Holly Baynham

[76] Inventor: **Todd N. Quick**, 241 Avellana Dr., Sequim, Wash. 98382

[57] **CLAIM**

The ornamental design for the power cord strain relief tether buckle, as shown and described.

[\*\*] Term: **14 Years**

**DESCRIPTION**

[21] Appl. No.: **60,671**

FIG. 1 is a perspective view of the power cord strain relief tether buckle showing my new design, the broken lines represents a tie strap with which the invention is used and forms no part thereof;

[22] Filed: **Oct. 3, 1996**

[51] LOC (6) Cl. .... **02-07**

FIG. 2 is a front elevational view thereof;

[52] U.S. Cl. .... **D11/218**

FIG. 3 is a rear elevational view thereof;

[58] **Field of Search** ..... D8/356, 382; 24/16, 24/641, 638; D11/218, 200; 439/101, 457; D13/151, 156

FIG. 4 is a left side elevational view thereof;

FIG. 5 is a right side elevational view thereof;

FIG. 6 is a top plan view thereof;

FIG. 7 is a bottom plan view thereof; and,

FIG. 8 is cross-sectional view thereof taken along line 8—8 of FIG. 2.

[56] **References Cited**

### U.S. PATENT DOCUMENTS

D. 264,260	5/1982	Terino, Jr.	.....	D11/218 X
D. 340,008	10/1993	Anscher	.....	D11/218
D. 344,033	2/1994	Davidge	.....	D10/106
D. 346,569	5/1994	Lovato	.....	D11/218
D. 378,987	4/1997	Ross	.....	D8/356

The broken line showing of a fragmented strap is for illustrative purposes only and forms no part of the claimed design.

**1 Claim, 3 Drawing Sheets**

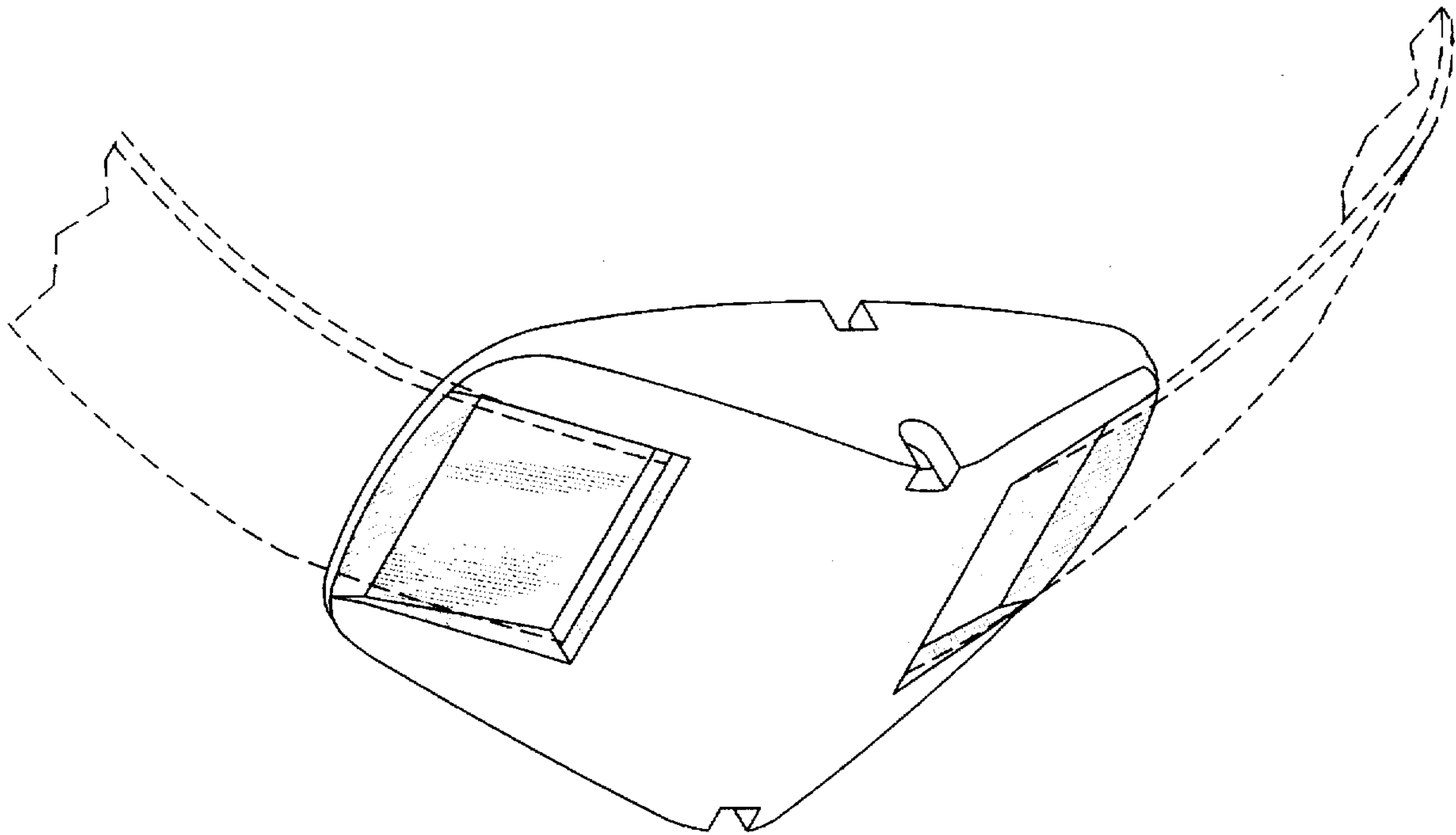
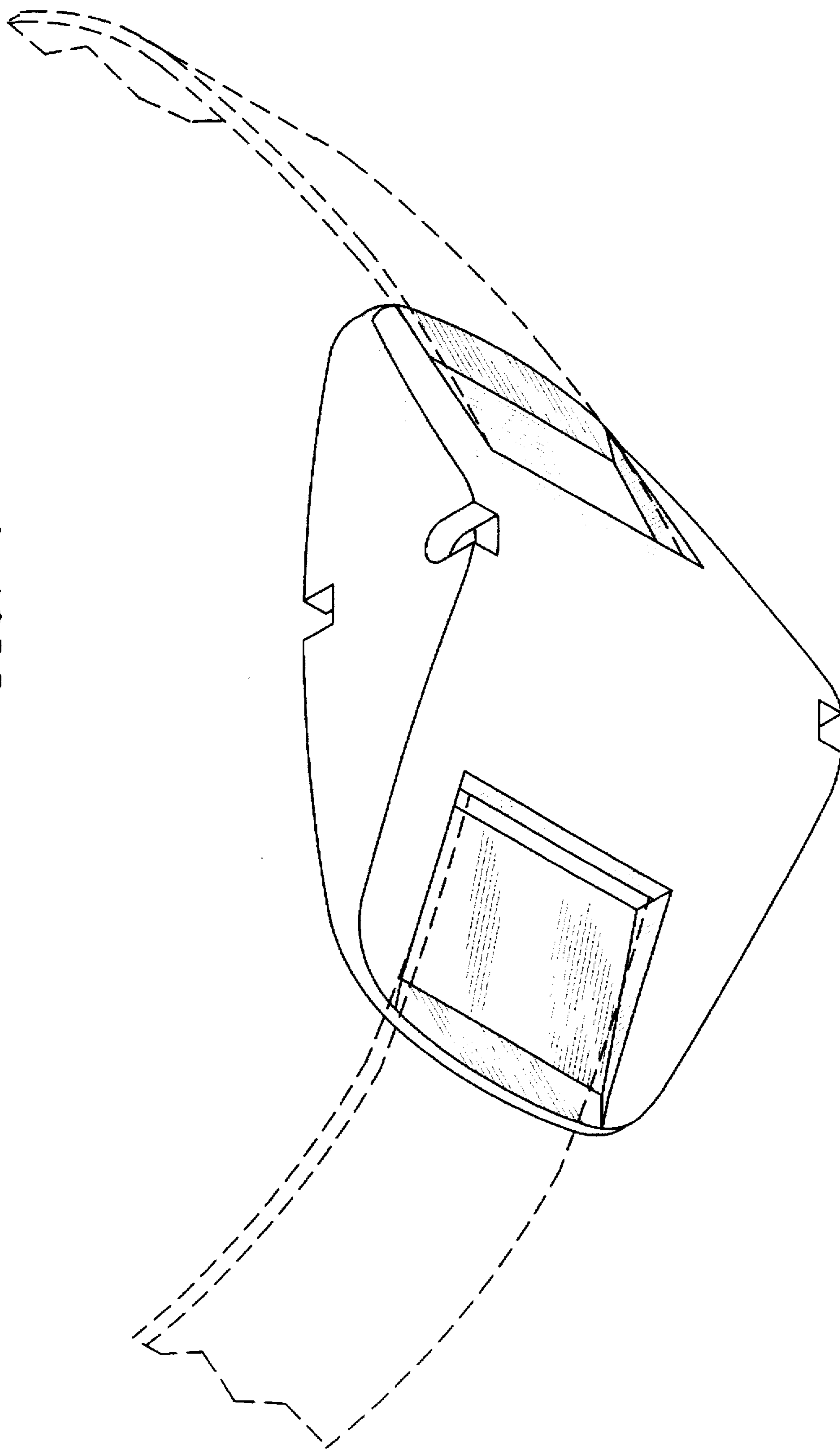
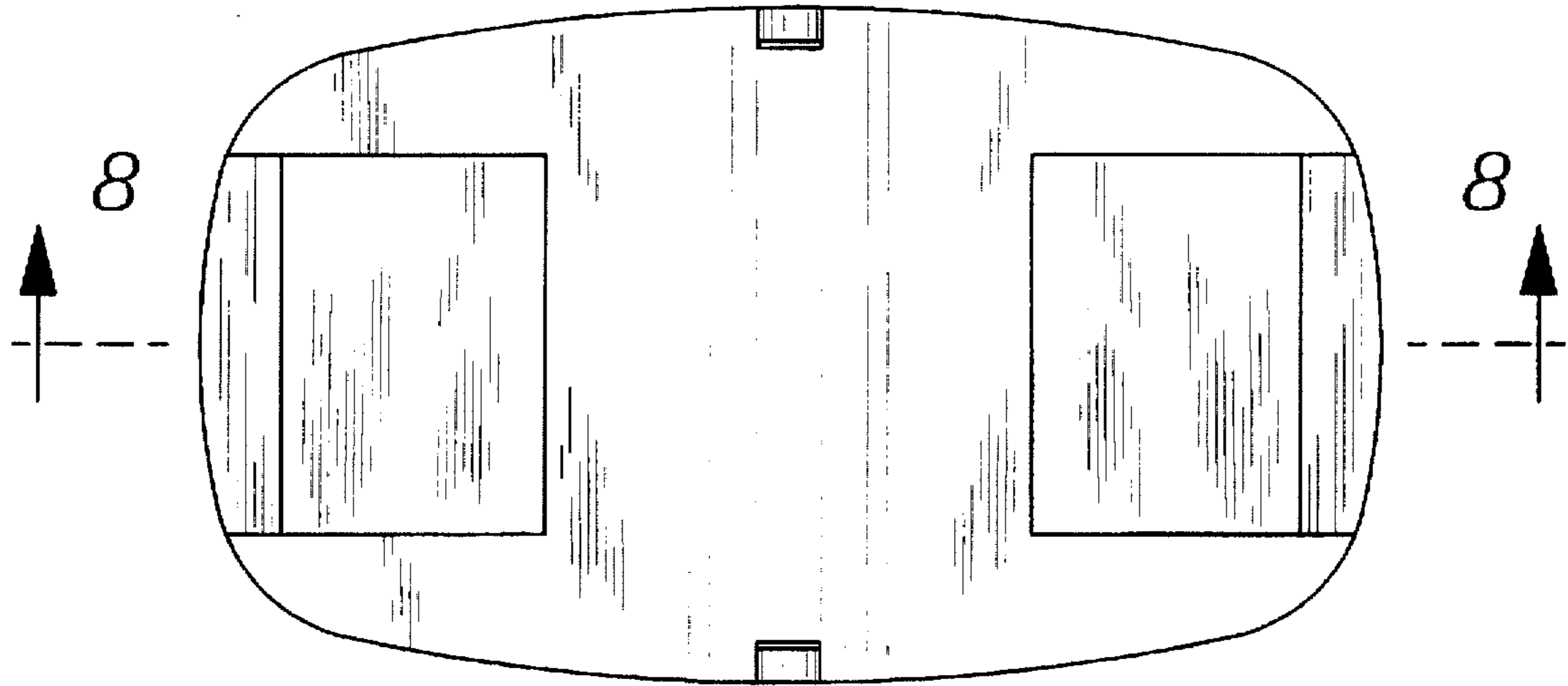


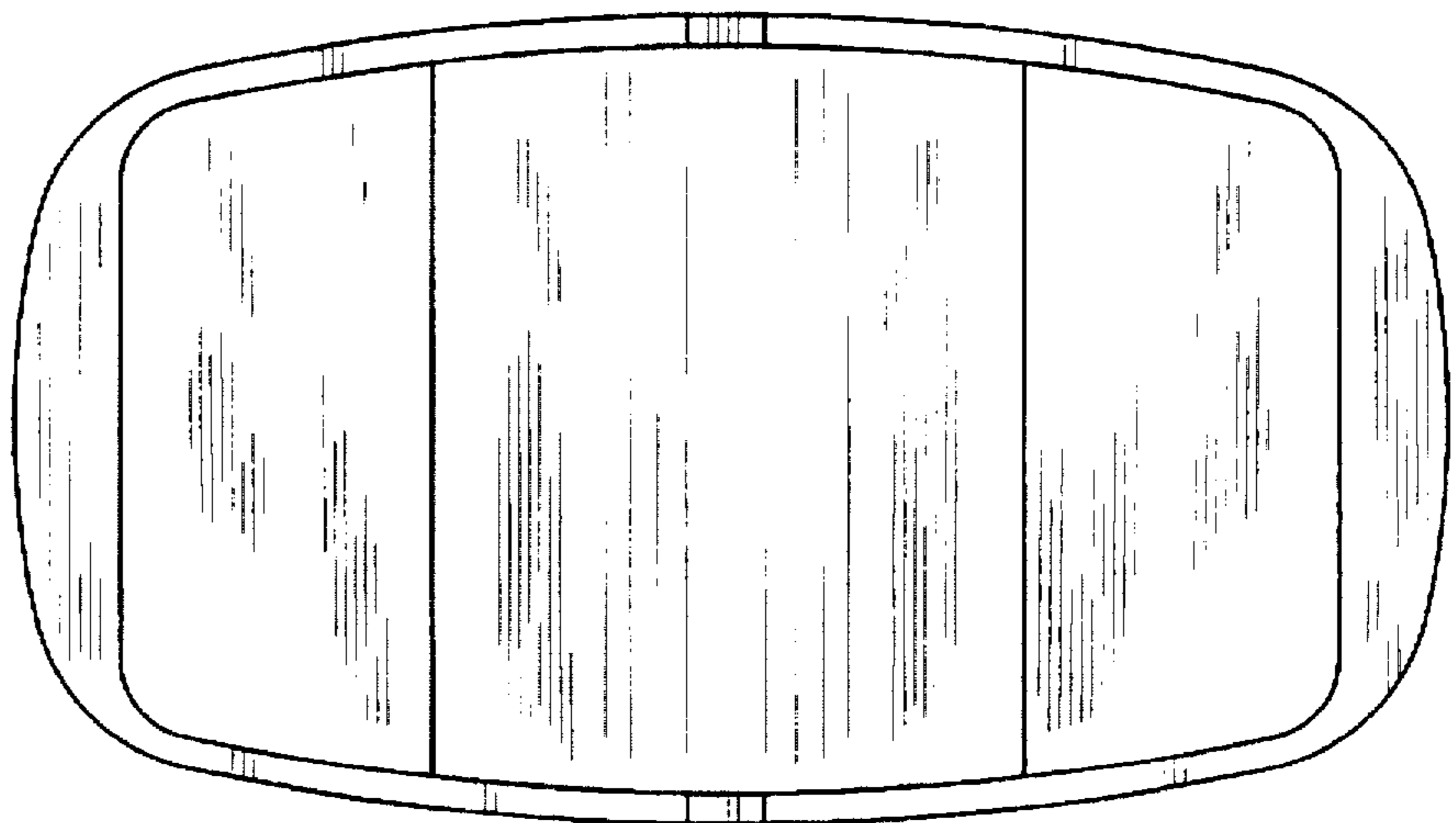
FIG. 1



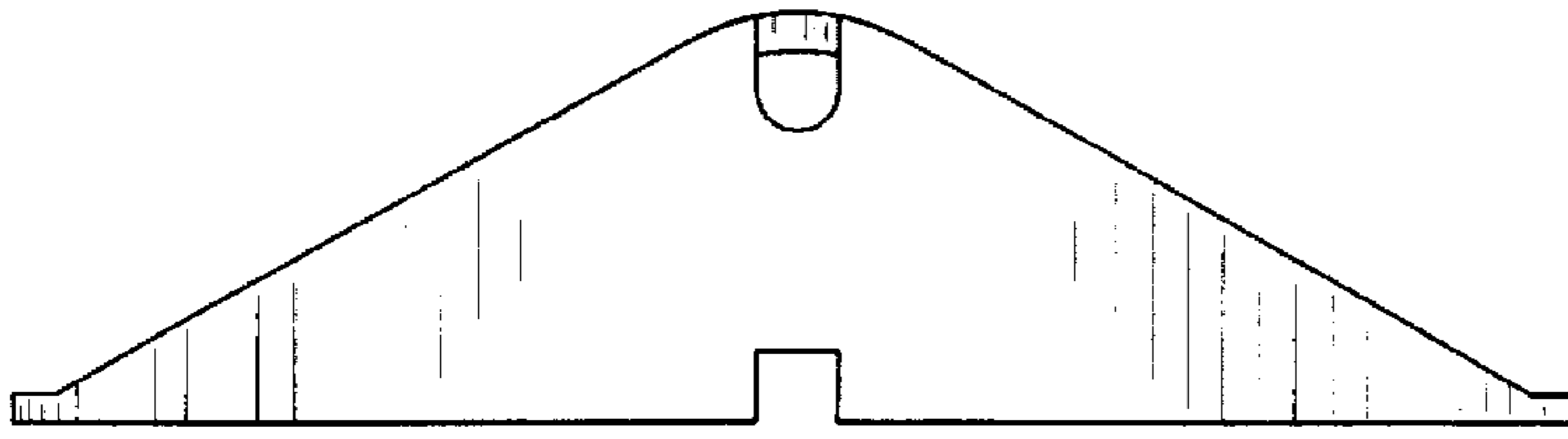
*FIG. 2*



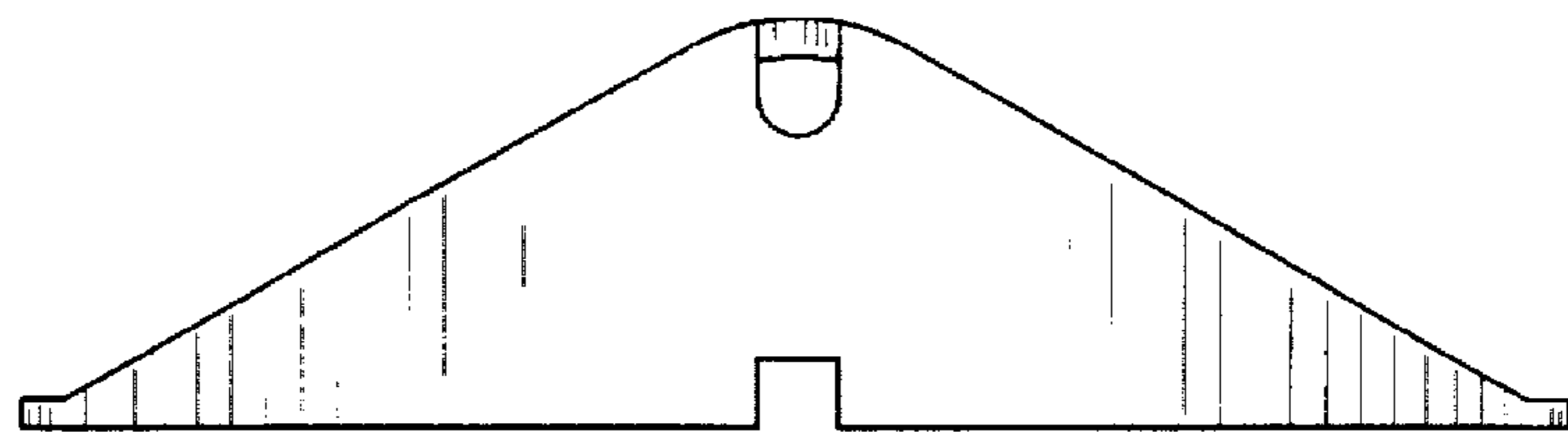
*FIG. 3*



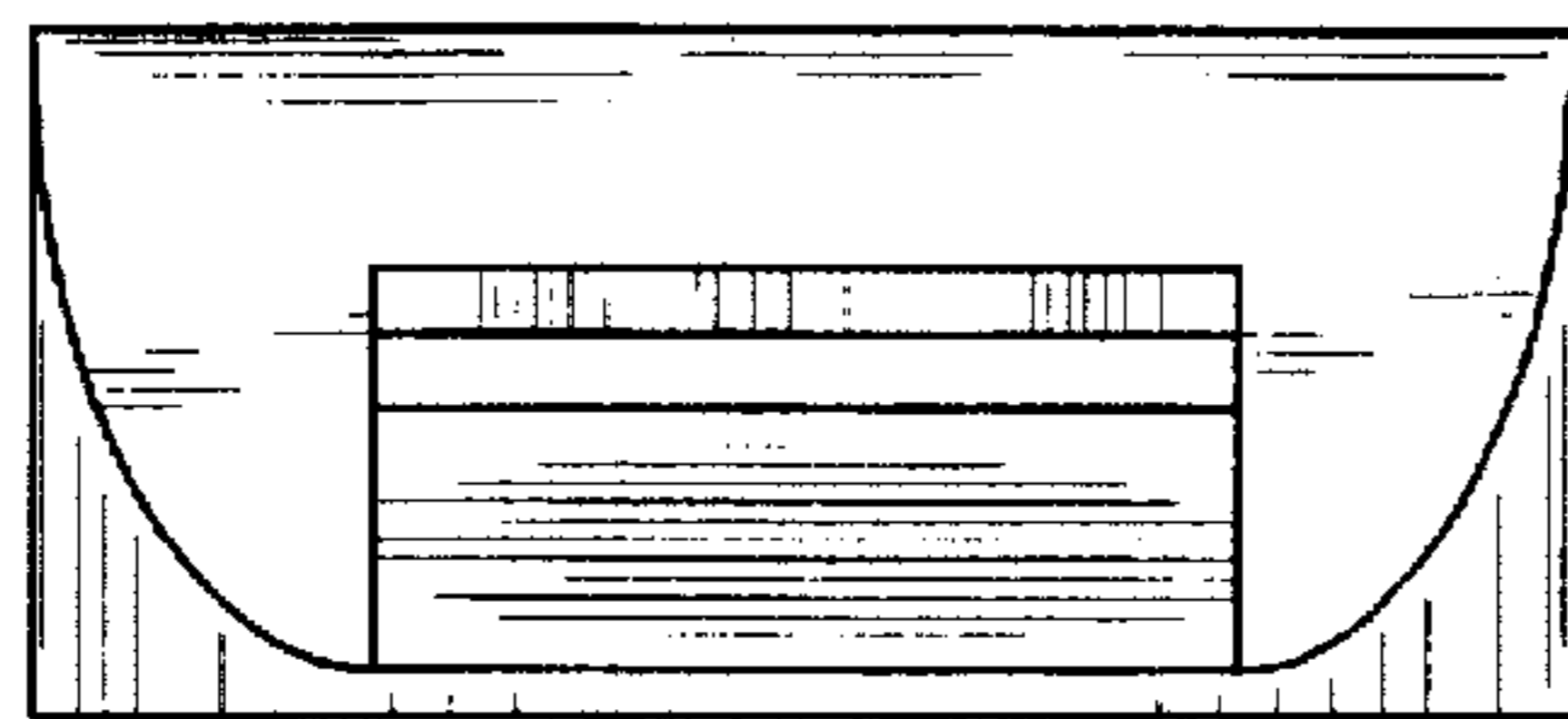
*FIG. 4*



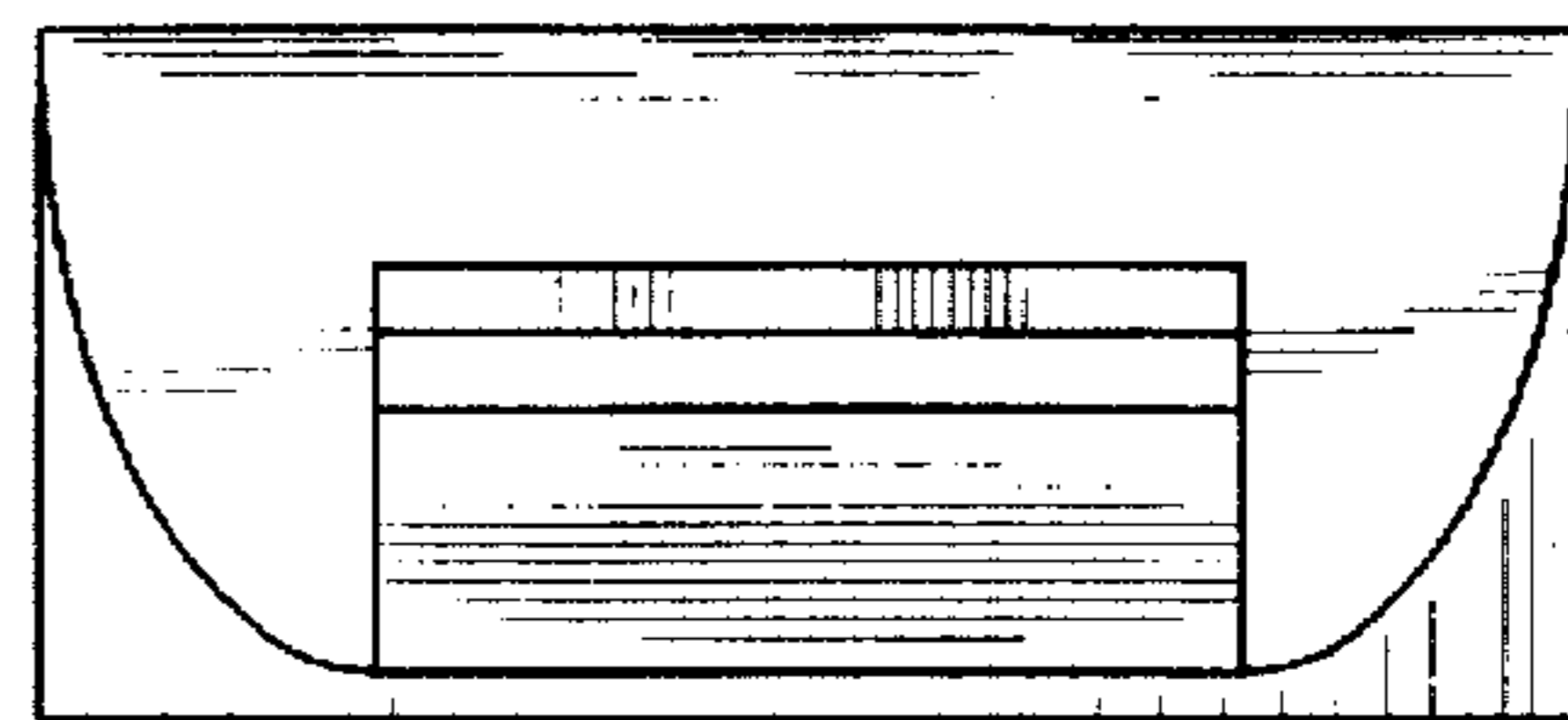
*FIG. 5*



*FIG. 6*



*FIG. 7*



*FIG. 8*

