



US00D390807S

United States Patent [19]

[11] Patent Number: **Des. 390,807**

Otto

[45] Date of Patent: ****Feb. 17, 1998**

[54] LUMINESCENT STAR

3,663,342 5/1972 Landwehr 428/9
4,214,023 7/1980 Day 428/11

[75] Inventor: **Stefan Otto**, Egg Harbor, N.J.

Primary Examiner—Dominic Simone

[73] Assignee: **Spencer Gifts, Inc.**, Pleasantville, N.J.

Attorney, Agent, or Firm—Panitch Schwarze Jacobs & Nadel, P.C.

[**] Term: **14 Years**

[57] CLAIM

[21] Appl. No.: **63,961**

The ornamental design for a luminescent star, as shown and described.

[22] Filed: **Dec. 19, 1996**

DESCRIPTION

[51] LOC (6) Cl. **11-05**

[52] U.S. Cl. **D11/121; D11/124; D11/125**

[58] Field of Search **D11/117, 121, D11/124, 131, 157, 125; 428/8, 9, 11, 12; 362/121, 252**

FIG. 1 is a front elevational view a luminescent star showing my new design, the rear being identical;
FIG. 2 is an inverted right side elevational view thereof, the left side being identical;
FIG. 3 is a top plan view thereof, the bottom being identical;
FIG. 4 is a perspective view thereof;
FIG. 5 is a front elevational view of the first piece of the luminescent star, shown separately for illustrative purposes only; and,
FIG. 6 is a front elevational view of the second piece of the luminescent star, shown separately for illustrative purposes only.

[56] References Cited

U.S. PATENT DOCUMENTS

D. 114,108	4/1939	Carter	428/11	X
D. 149,967	6/1948	O'Brien	D11/121	
D. 150,511	8/1948	O'Brien	D11/125	
D. 161,160	12/1950	Burros	D11/121	
2,067,527	1/1937	Greene	428/8	
2,626,199	11/1953	Robins	428/9	

1 Claim, 1 Drawing Sheet

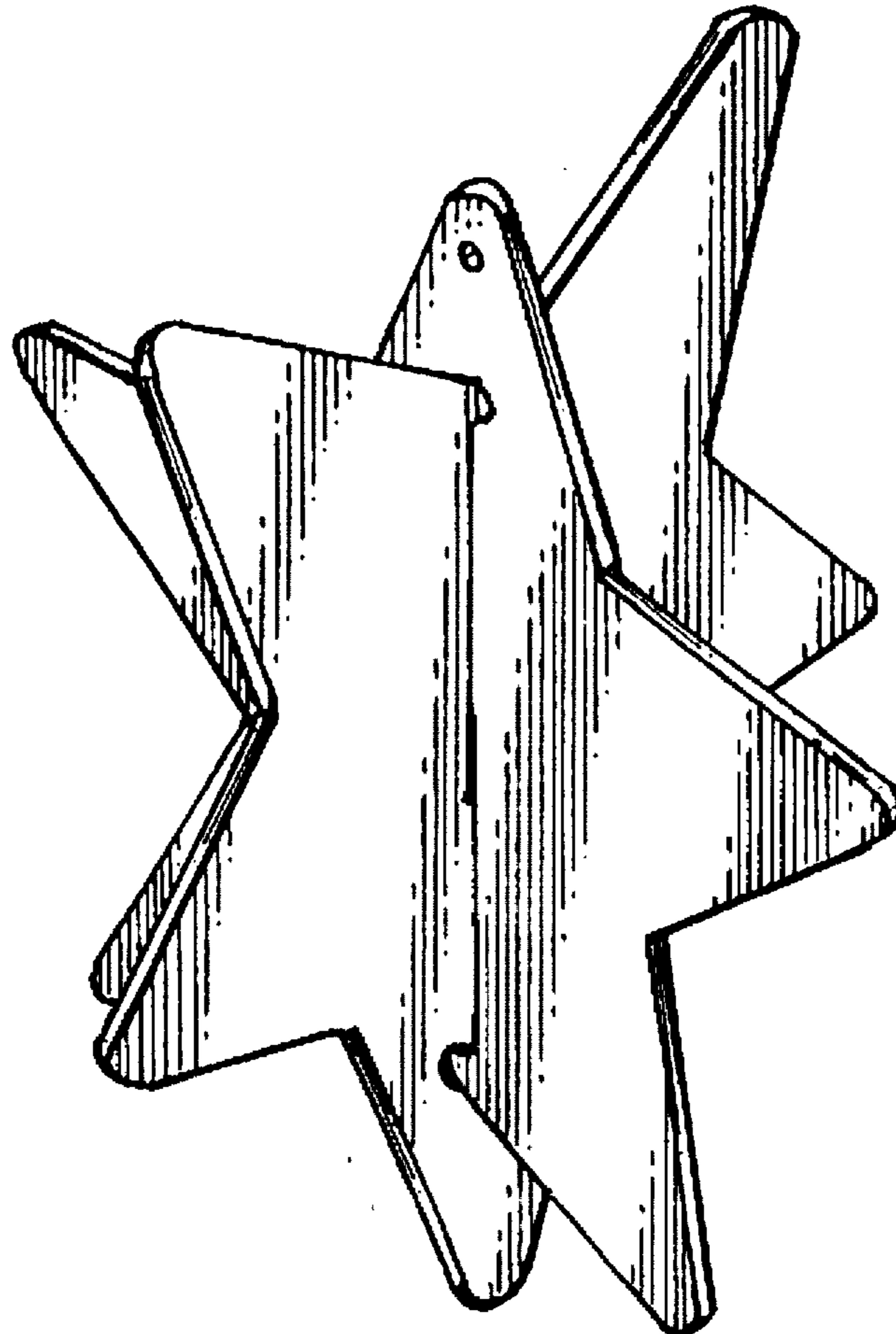


FIG. 1

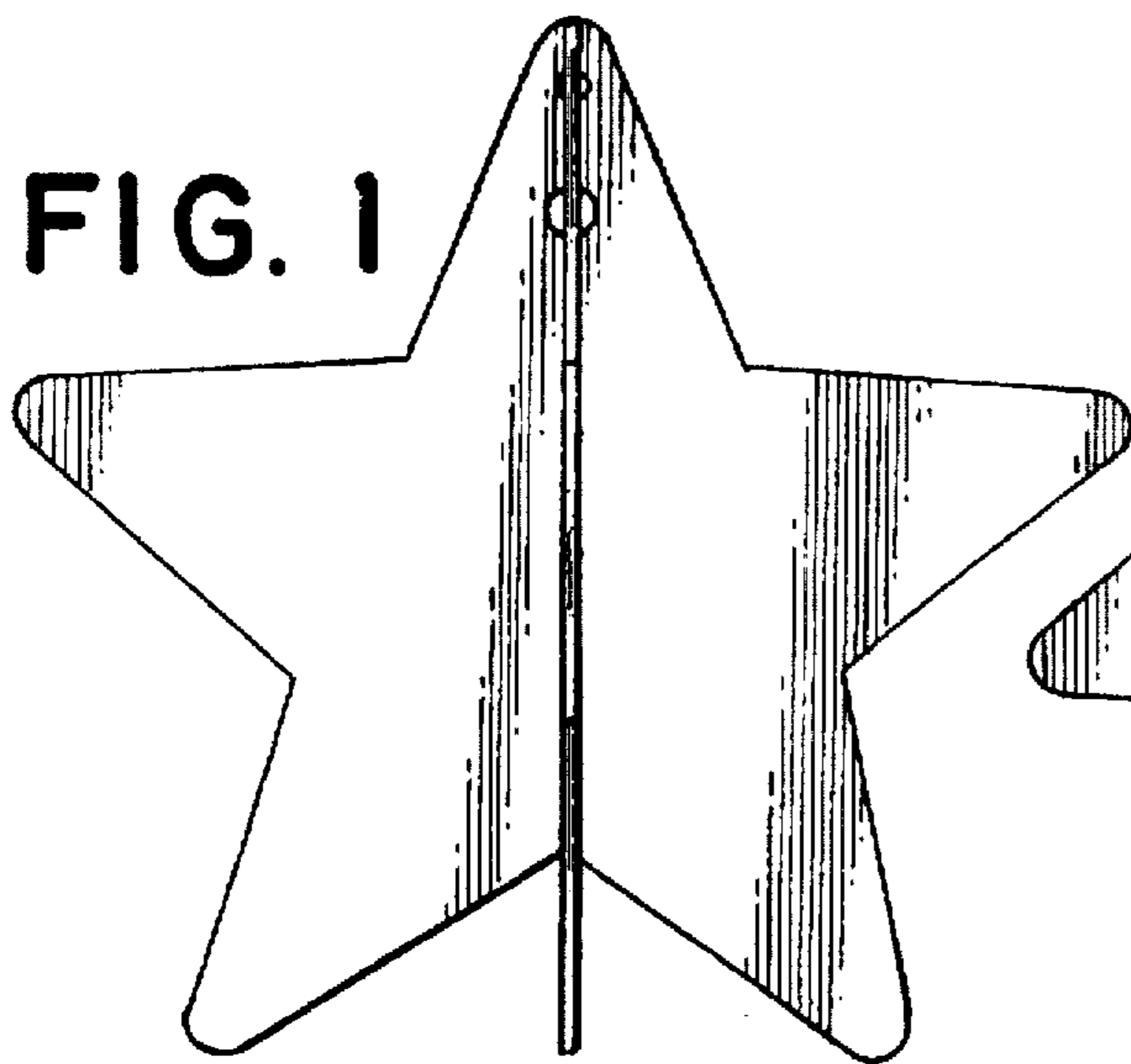


FIG. 2

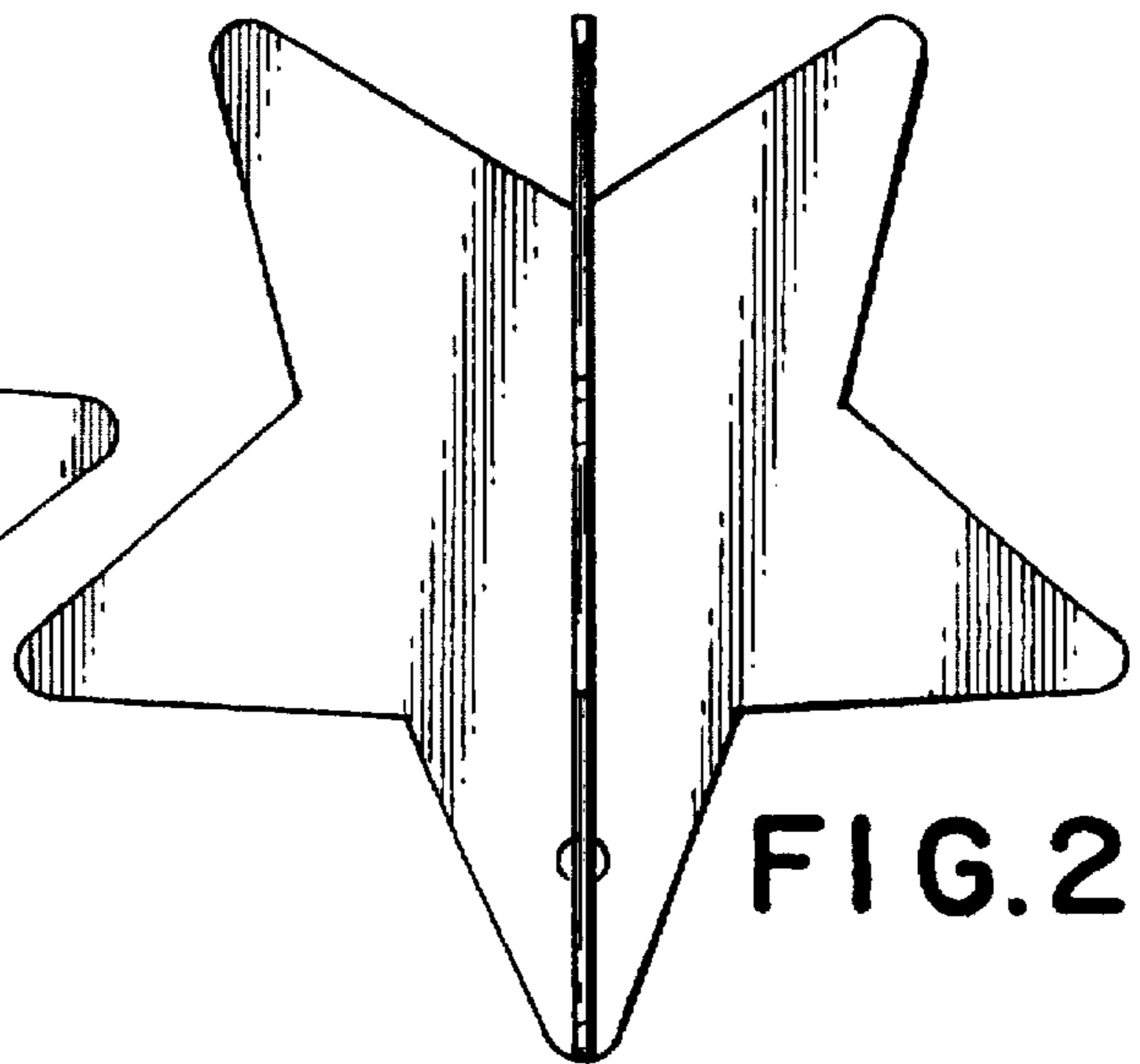


FIG. 4

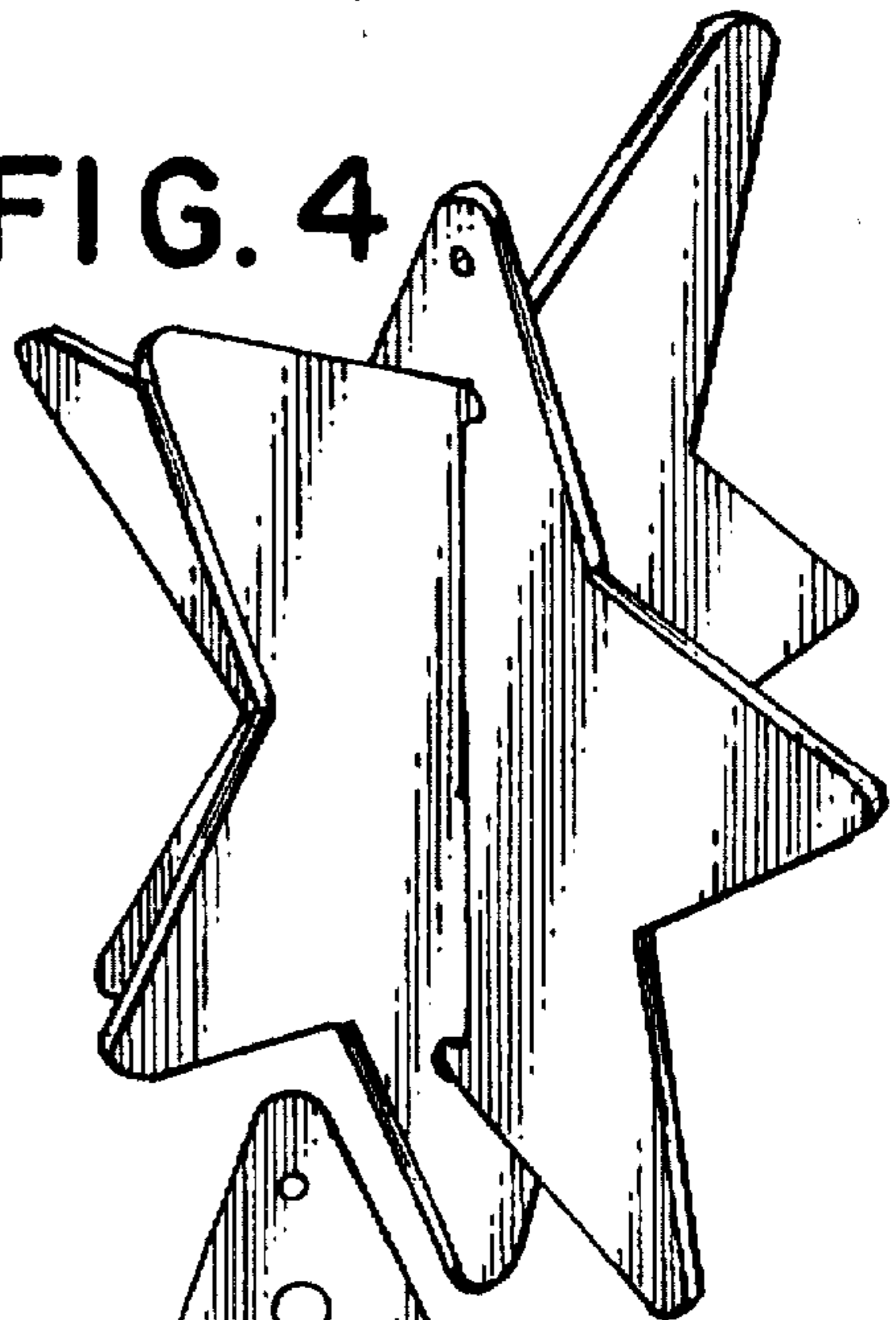


FIG. 3

FIG. 5

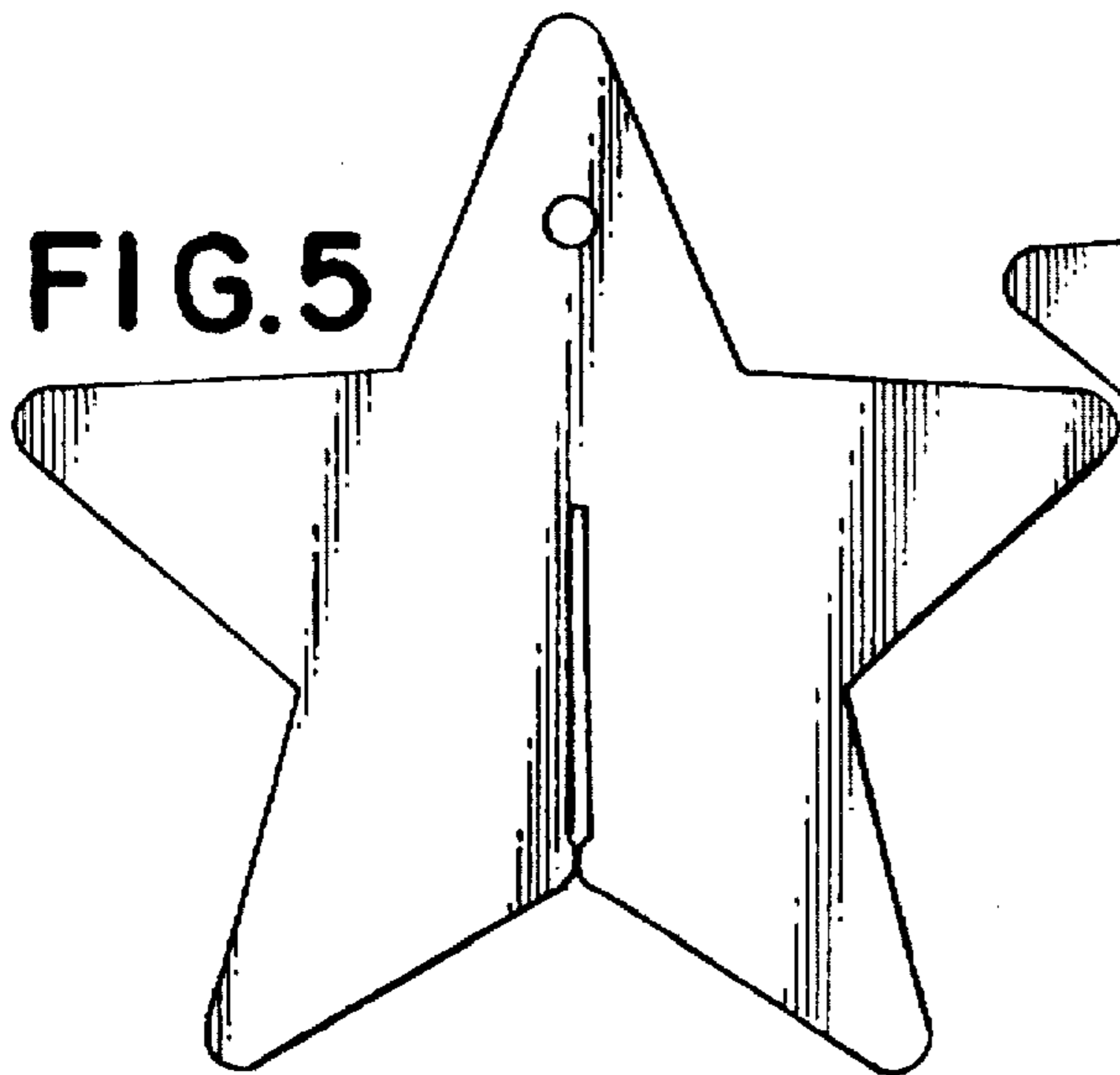


FIG. 6

