



US00D390806S

United States Patent [19]

[11] Patent Number: **Des. 390,806**

Skarda, Jr.

[45] Date of Patent: ****Feb. 17, 1998**

[54] CHRISTMAS TREE LIGHT FRAME

[76] Inventor: **James F. Skarda, Jr.**, 4532 Todd Point La., Baltimore, Md. 21219

[**] Term: **14 Years**

[21] Appl. No.: **65,104**

[22] Filed: **Jan. 21, 1997**

[51] LOC (6) Cl. **11-05**

[52] U.S. Cl. **D11/118; D11/121**

[58] Field of Search **D11/117, 118, D11/121; D26/25; 428/18-20; 362/122, 252, 806**

[56] References Cited

U.S. PATENT DOCUMENTS

D. 44,397	7/1913	Berggren	D11/118 X
D. 360,380	7/1995	Eckhart	D11/118
D. 363,685	10/1995	Miller et al.	D11/118
D. 368,439	4/1996	Romero	D211/118 X
D. 368,673	4/1996	Hernsdorfer et al.	D11/118

Primary Examiner—Dominic Simone
Attorney, Agent, or Firm—Leonard Bloom

[57] CLAIM

The ornamental design for a Christmas tree light frame, as shown and described.

DESCRIPTION

FIG. 1 is a side elevation view of the Christmas tree light frame showing my new design. The front, rear and side elevation views are all identical.

FIG. 2 is a top plan view thereof;

FIG. 3 is an enlarged top plan view of a cap member of the frame;

FIG. 4 is a side elevation view of the cap member of FIG. 3;

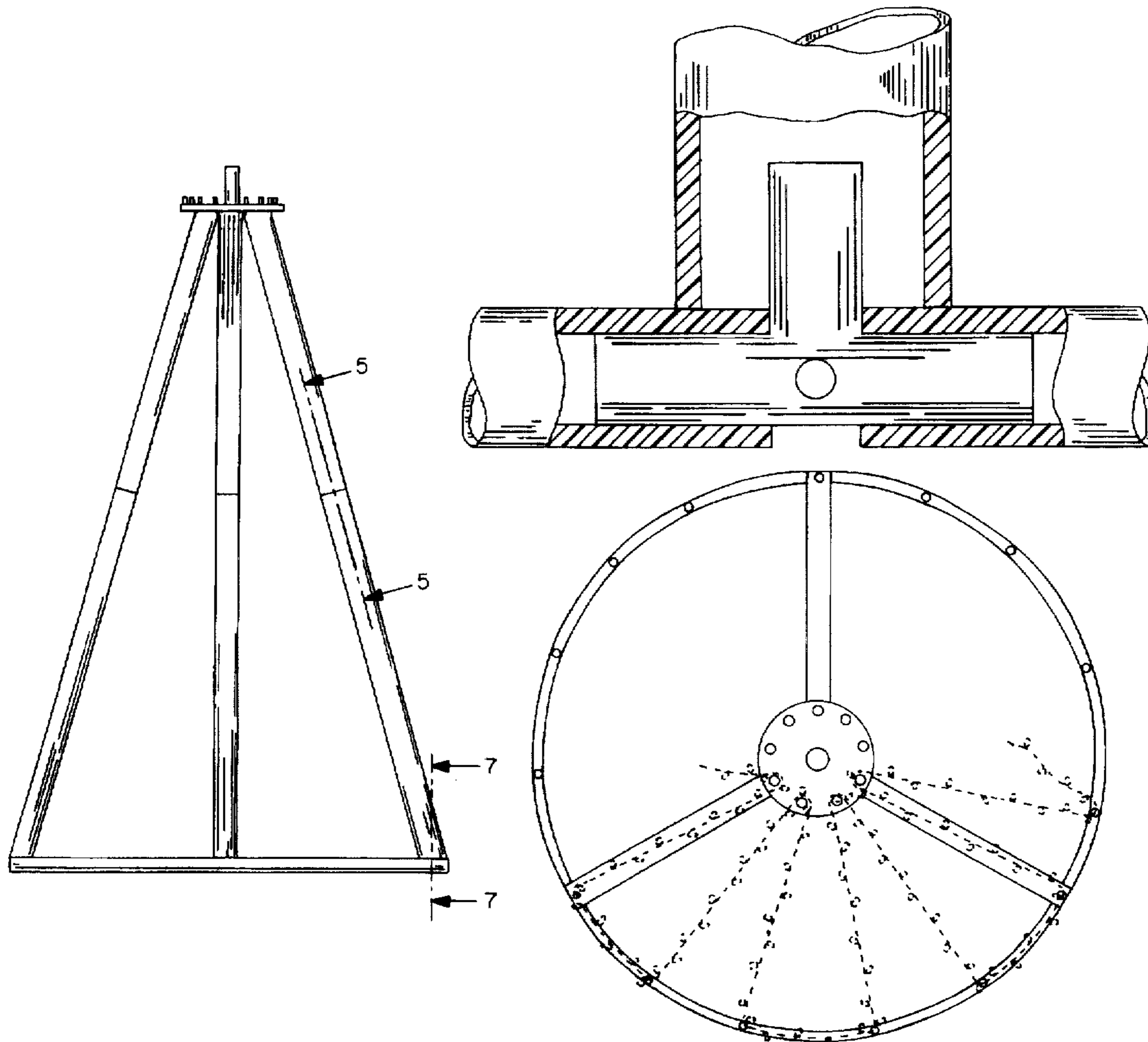
FIG. 5 is a cross sectional view taken across the lines 5—5 of FIG. 1;

FIG. 6 is an enlarged cross sectional view taken across the lines 6—6 of FIG. 5;

FIG. 7 is an enlarged cross sectional view taken across the lines 7—7 of FIG. 1; and,

FIG. 8 is a to plan view further illustrating, in broken lines, wiring and electric lamps mounted on the frame, and forming no part of my design.

1 Claim, 4 Drawing Sheets



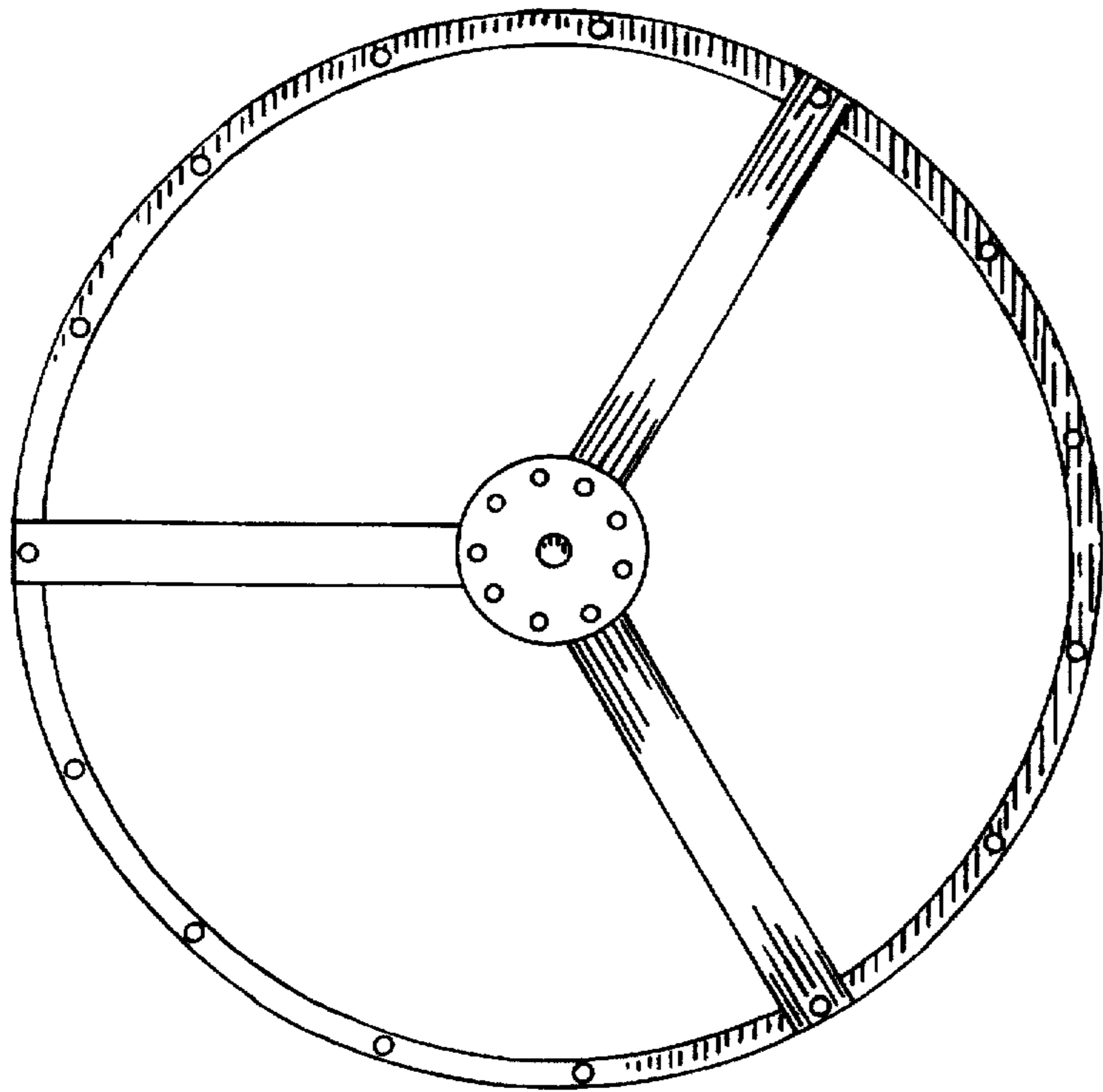


FIG. 2

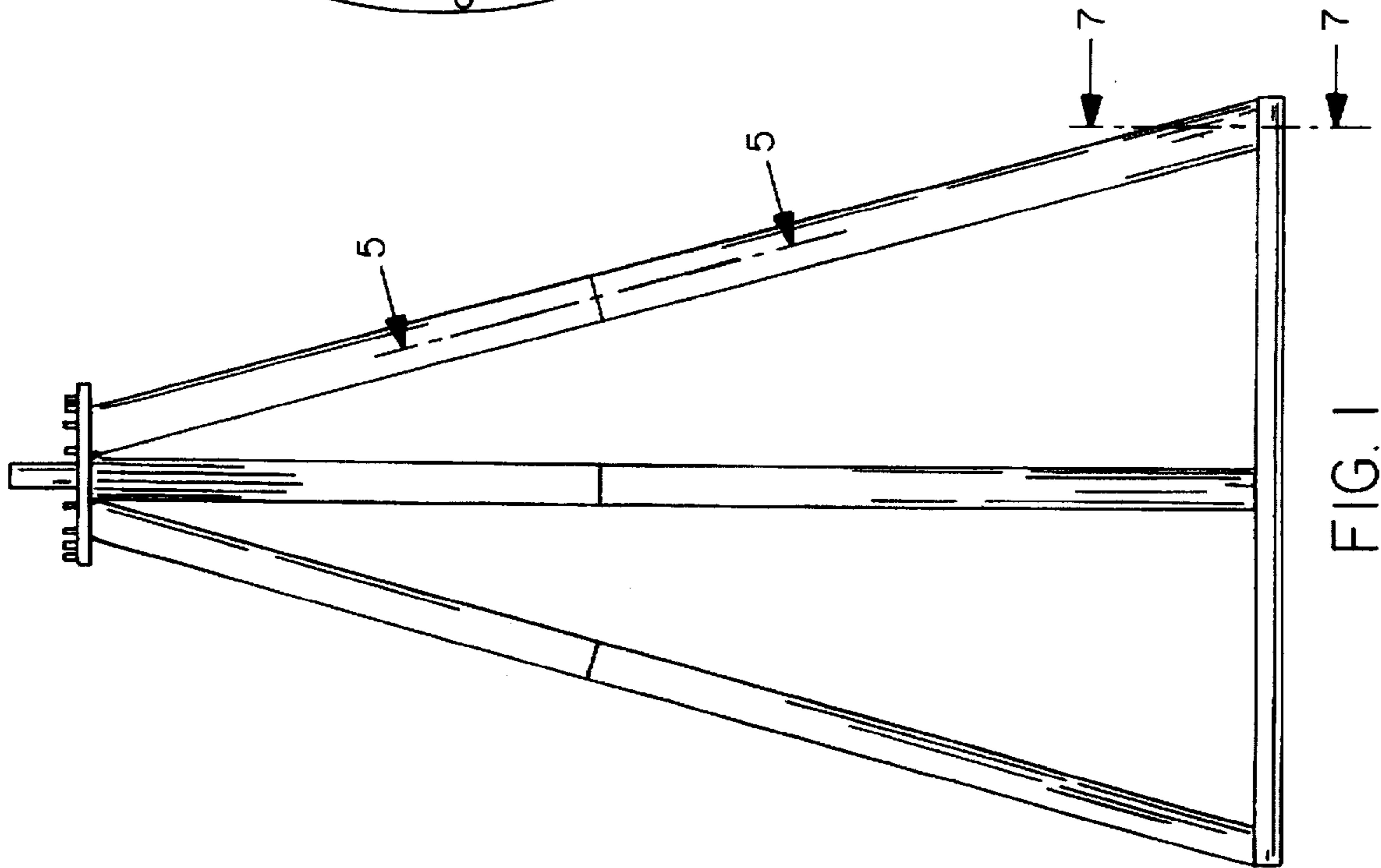


FIG. 1

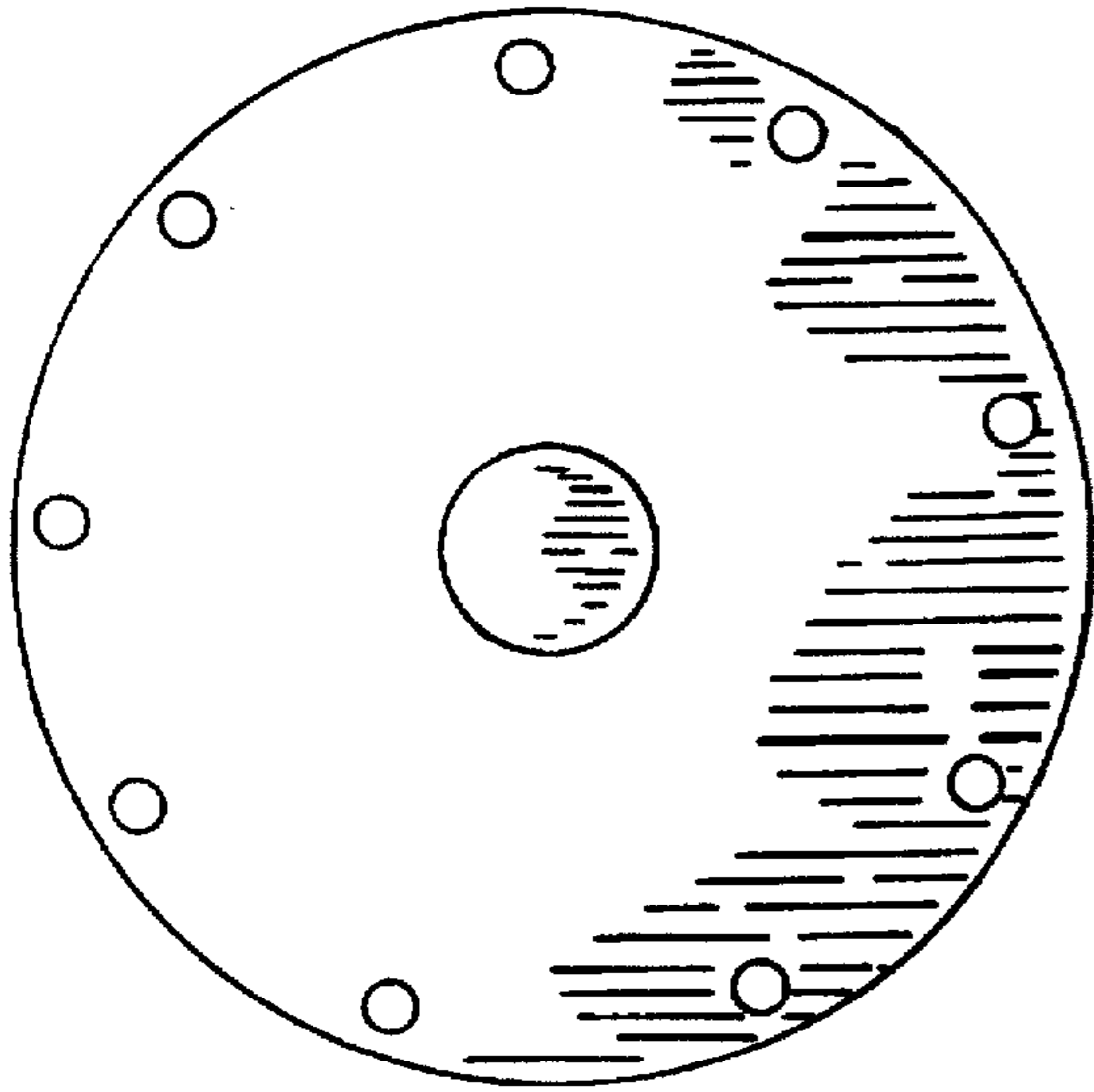


FIG. 3

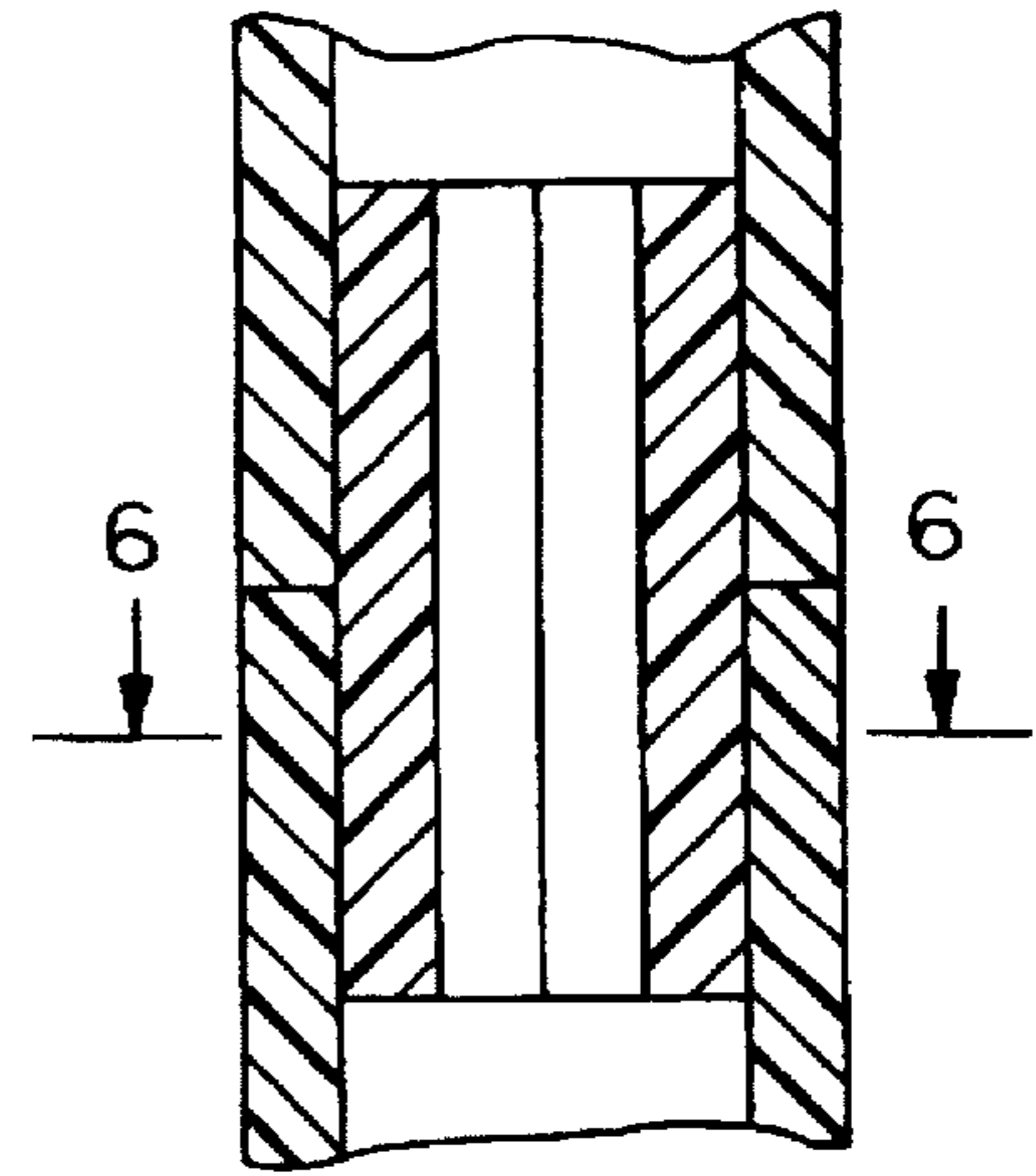


FIG. 5

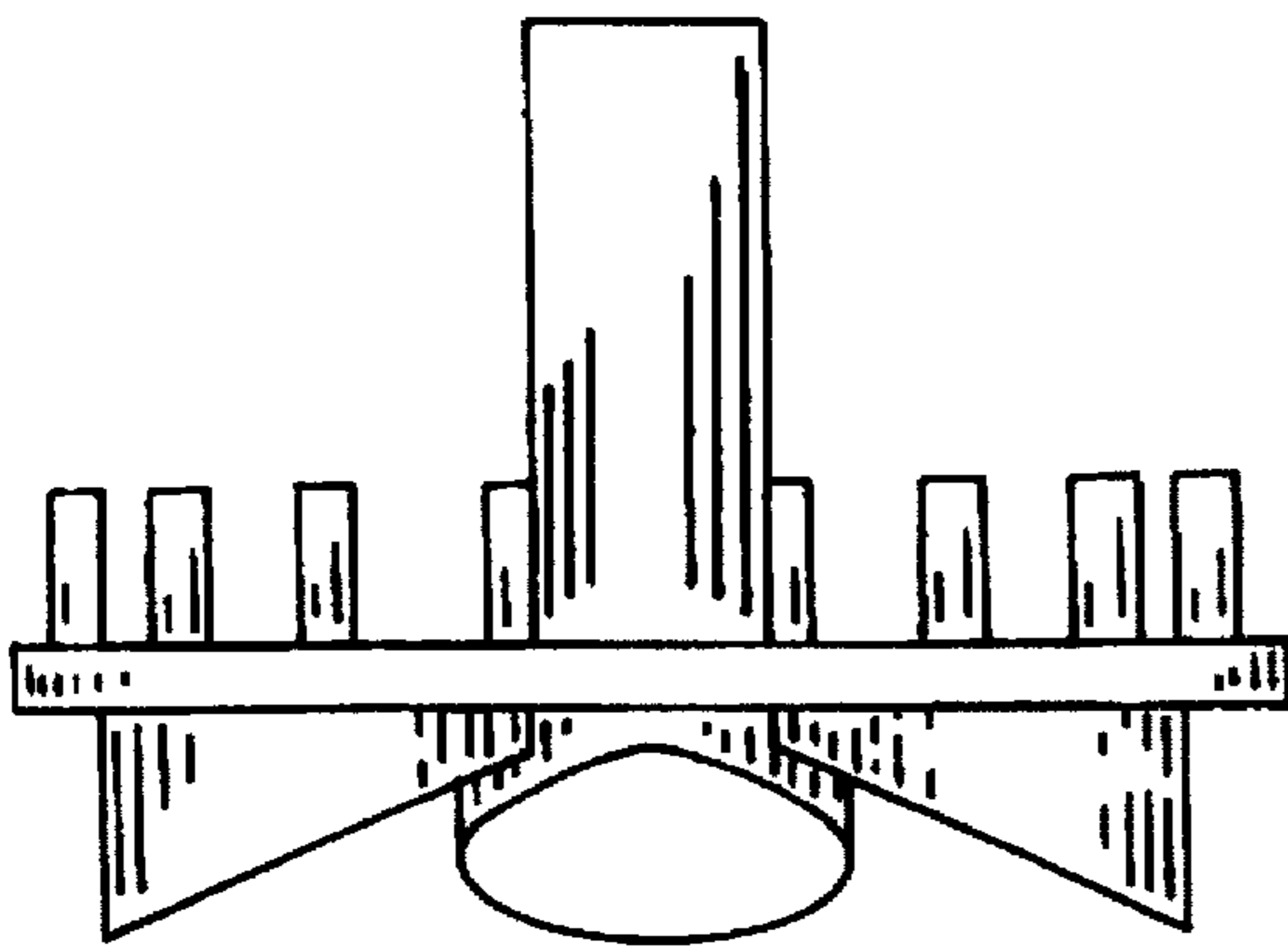


FIG. 4

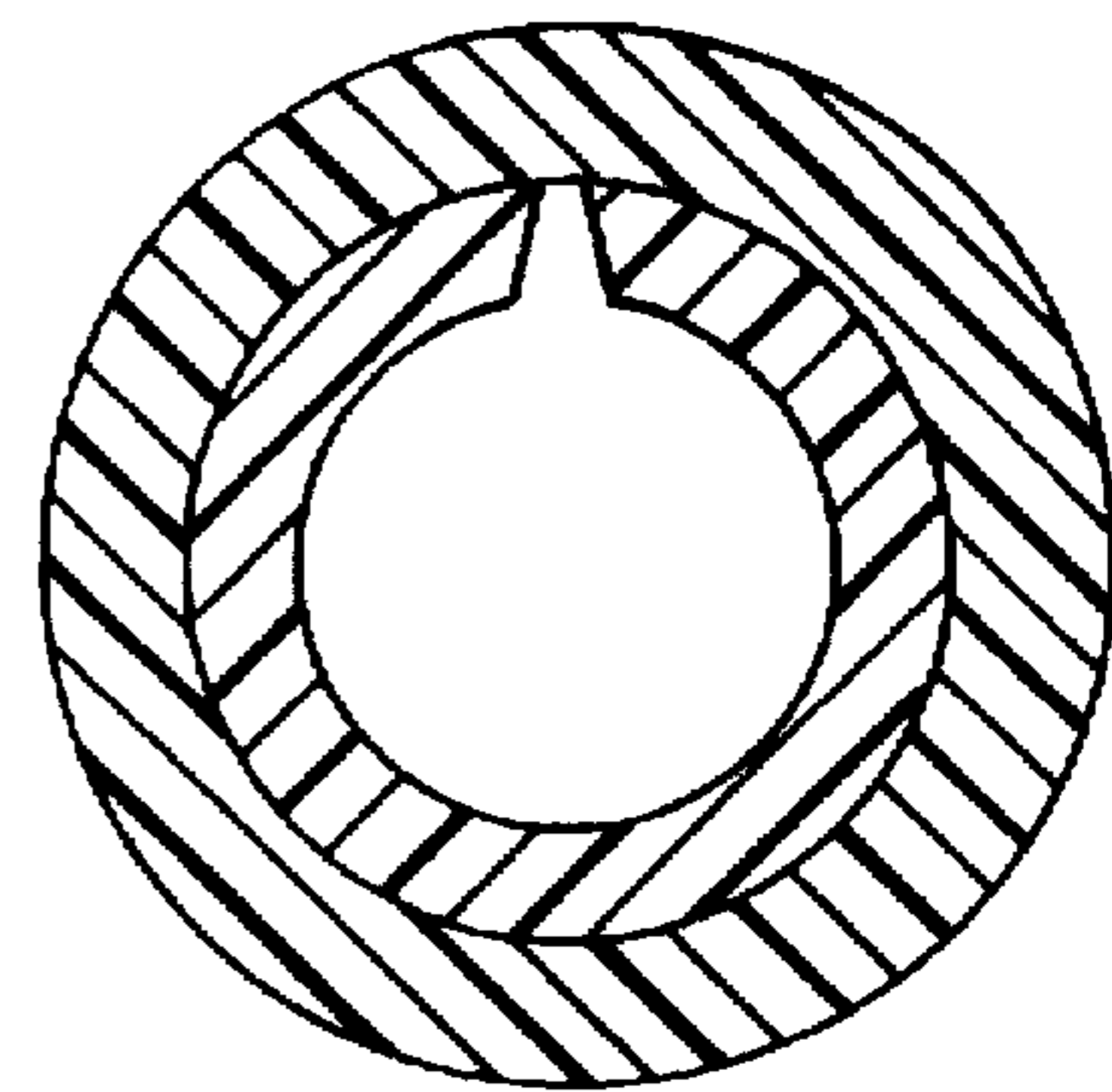


FIG. 6

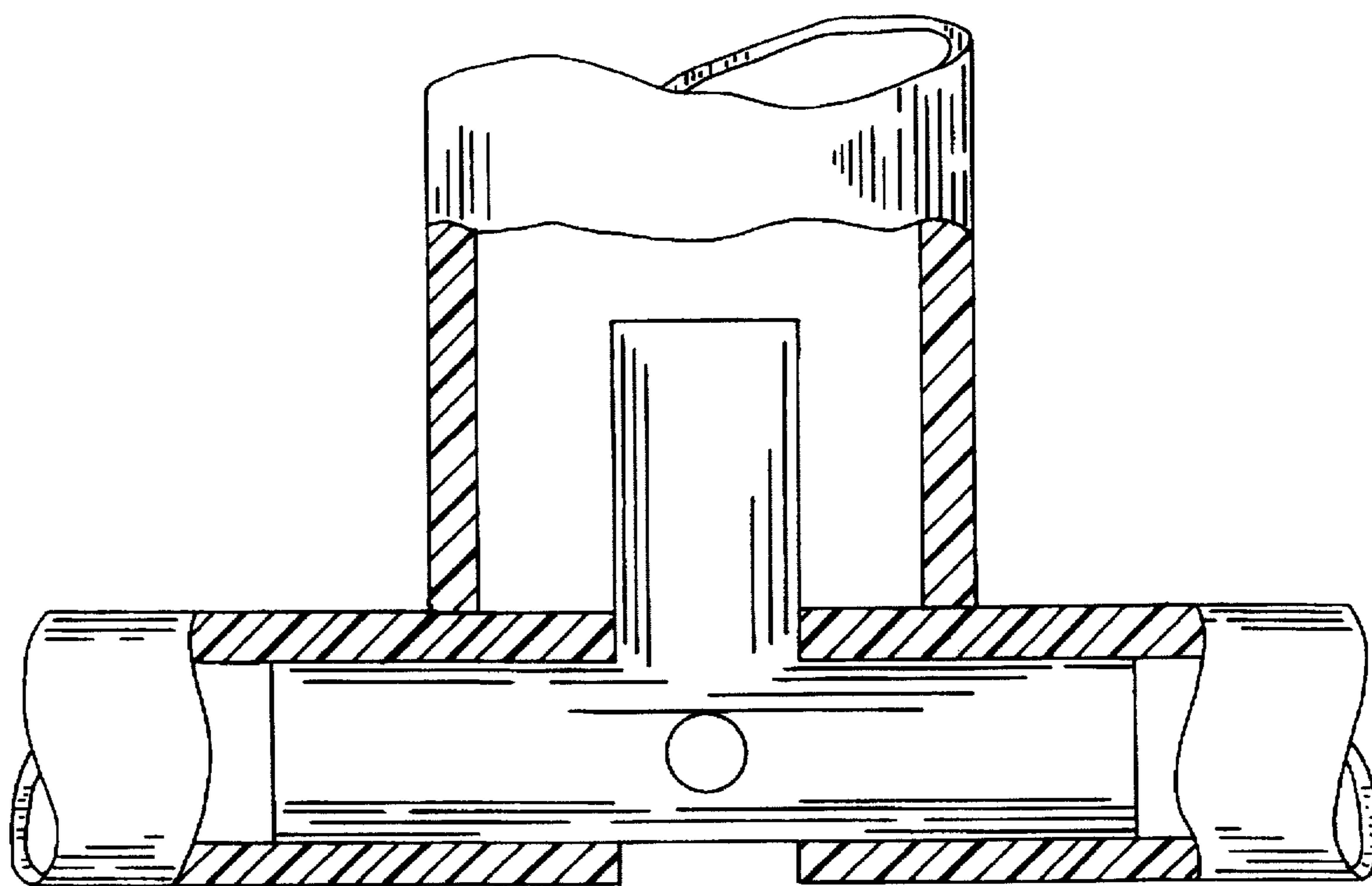


FIG. 7

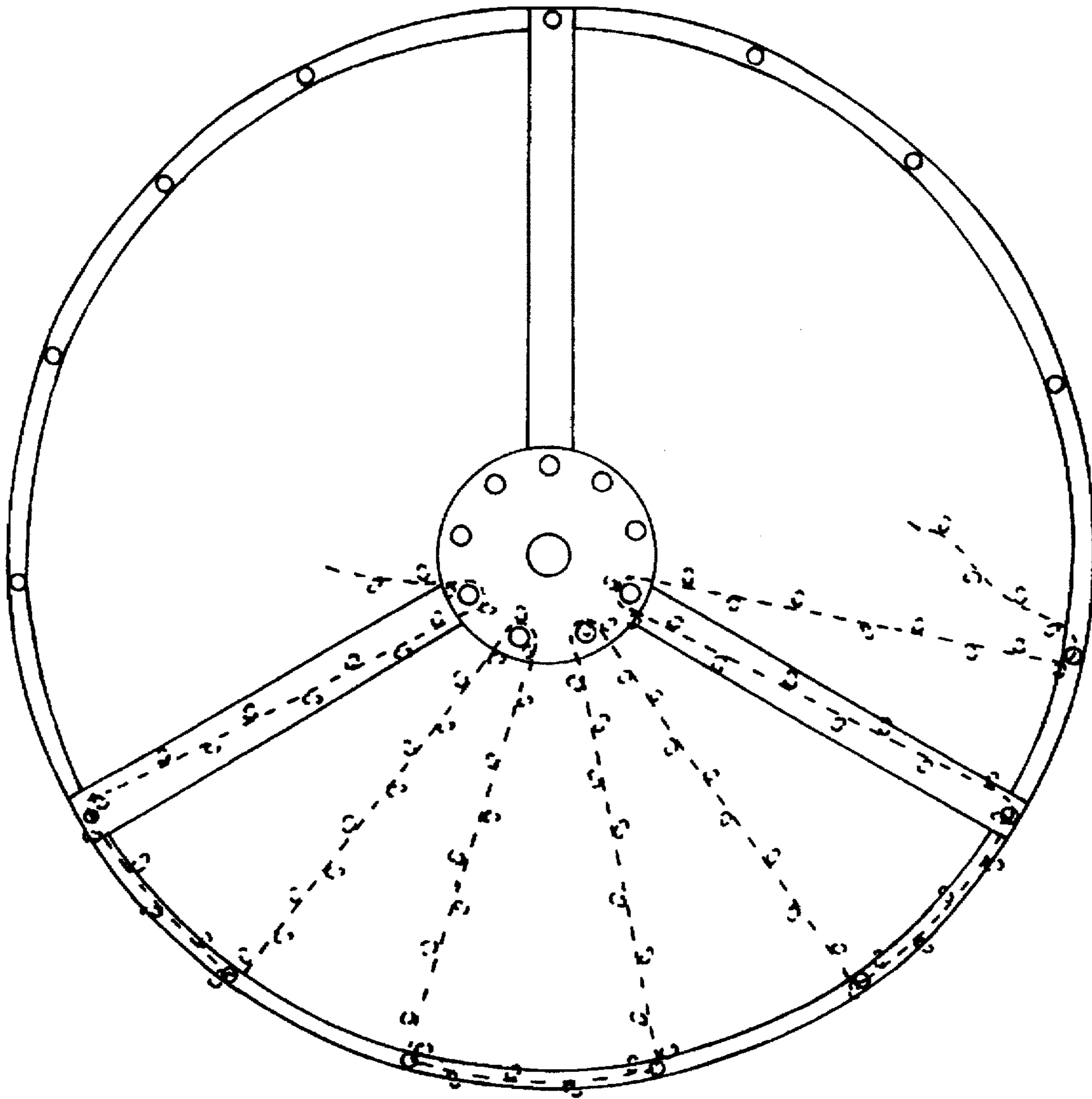


FIG. 8