



US00D390798S

United States Patent [19]
Kobayashi

[11] **Patent Number:** **Des. 390,798**
[45] **Date of Patent:** ****Feb. 17, 1998**

[54] **MEGAPHONE FOR SPORTING EVENTS**

1,150,447 8/1915 Mayland D10/119
3,419,996 1/1969 Johnson, Jr. D10/119

[76] **Inventor:** **Yu Kobayashi,**
17-15,1Chome,Nigawatakamaru,
Takarazuka City, Hyogo Pref, Japan

Primary Examiner—Marcus A. Jackson
Attorney, Agent, or Firm—Bacon & Thomas

[**] **Term:** **14 Years**

[57] **CLAIM**

[21] **Appl. No.:** **52,607**

The ornamental design for a megaphone for sporting events,
as shown and described.

[22] **Filed:** **Apr. 1, 1996**

DESCRIPTION

[51] **LOC (6) Cl.** **10-05**

[52] **U.S. Cl.** **D10/116**

[58] **Field of Search** D10/116, 118,
D10/119, 121; 181/175, 176, 177, 178,
179, 180, 181, 182, 183, 184, 185, 186,
187, 188, 189, 190, 191

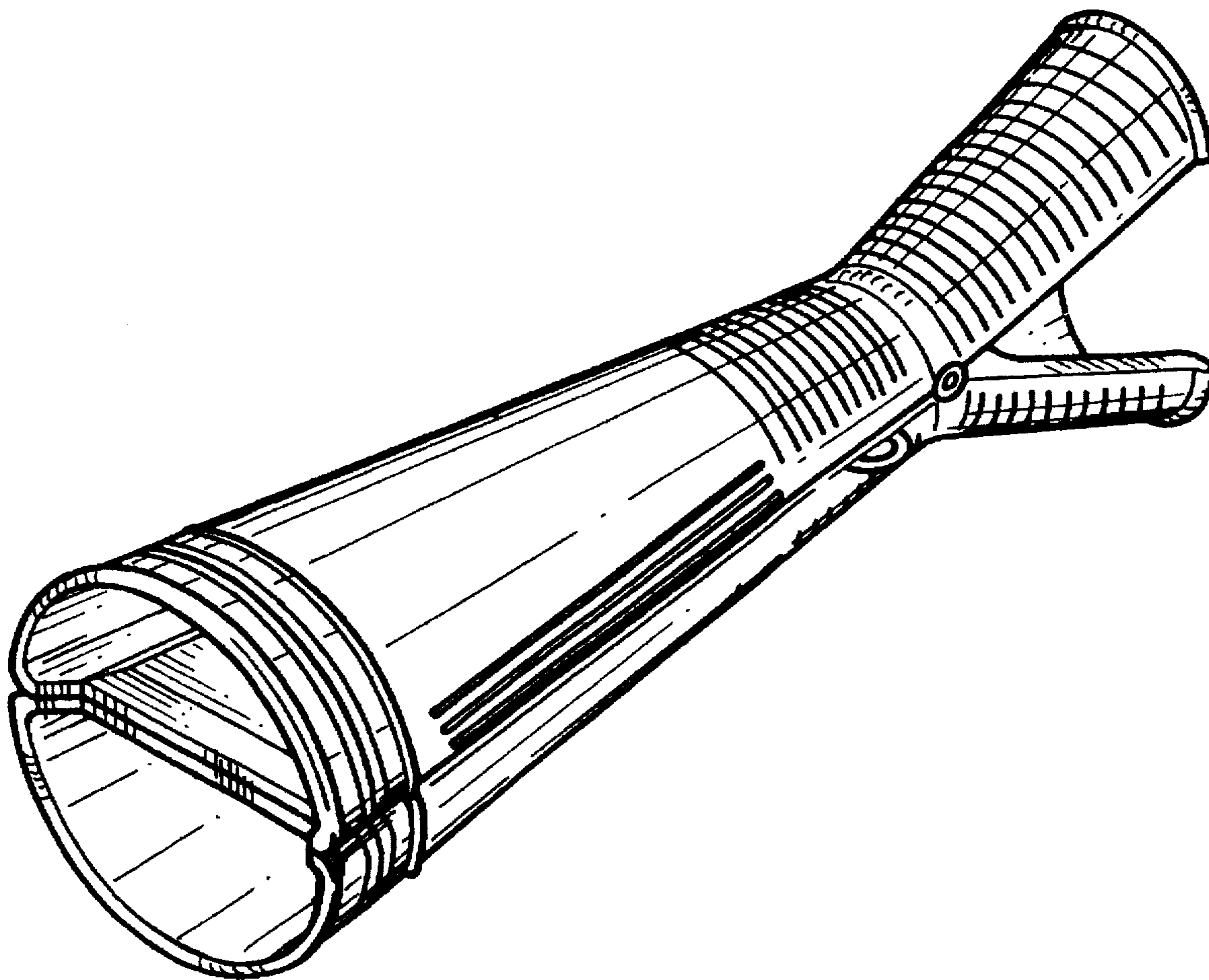
FIG. 1 is a front elevational view of a megaphone for sporting events showing my design;
FIG. 2 is a top plan view thereof;
FIG. 3 is a right side elevational view thereof;
FIG. 4 is a rear elevational view thereof;
FIG. 5 is a bottom plan view thereof;
FIG. 6 is a left side elevational view thereof;
FIG. 7 is a perspective view thereof; and,
FIG. 8 is a perspective view thereof, with the claimed article shown in an alternate position.

[56] **References Cited**

U.S. PATENT DOCUMENTS

D. 247,785 4/1978 Ehrich D10/119
D. 293,216 12/1987 Fernandez D10/119
D. 312,056 11/1990 Ady D10/119

1 Claim, 3 Drawing Sheets



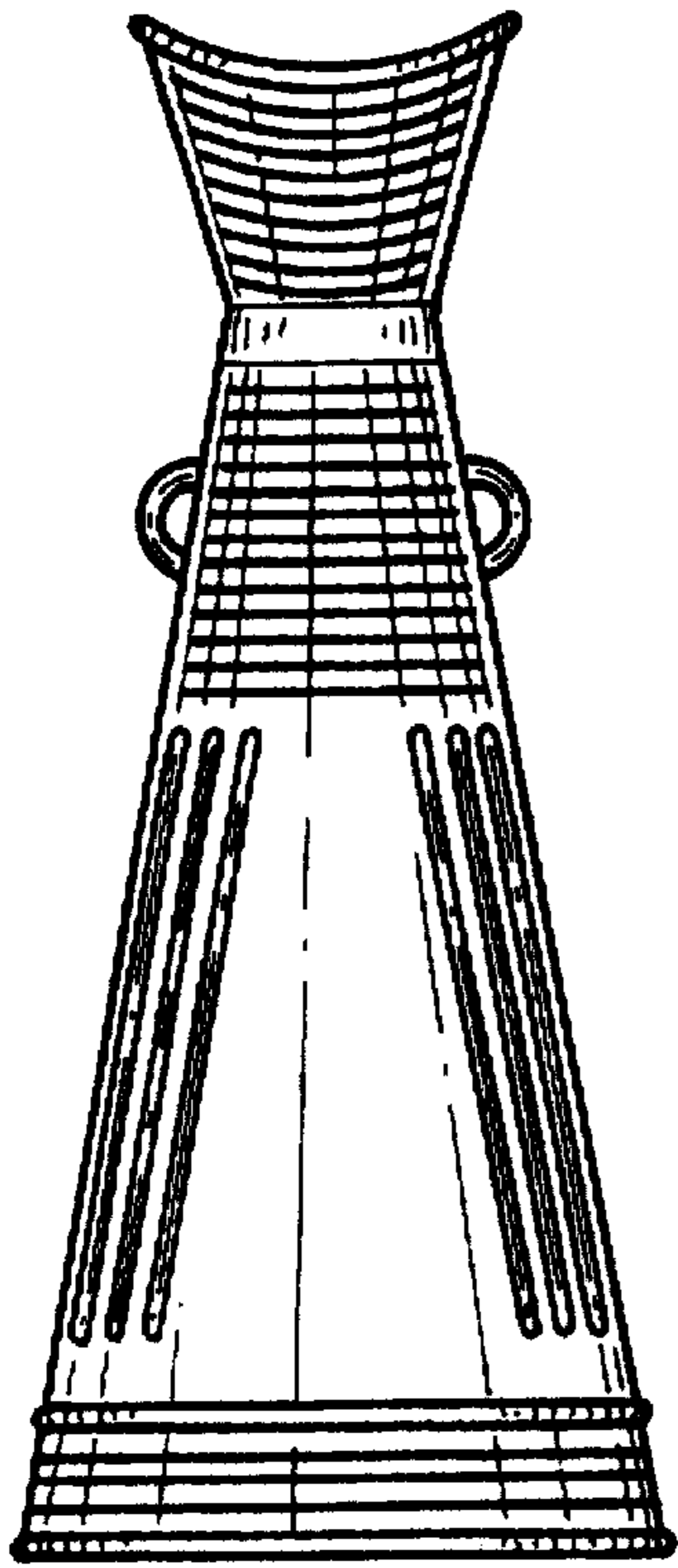


FIG. 2

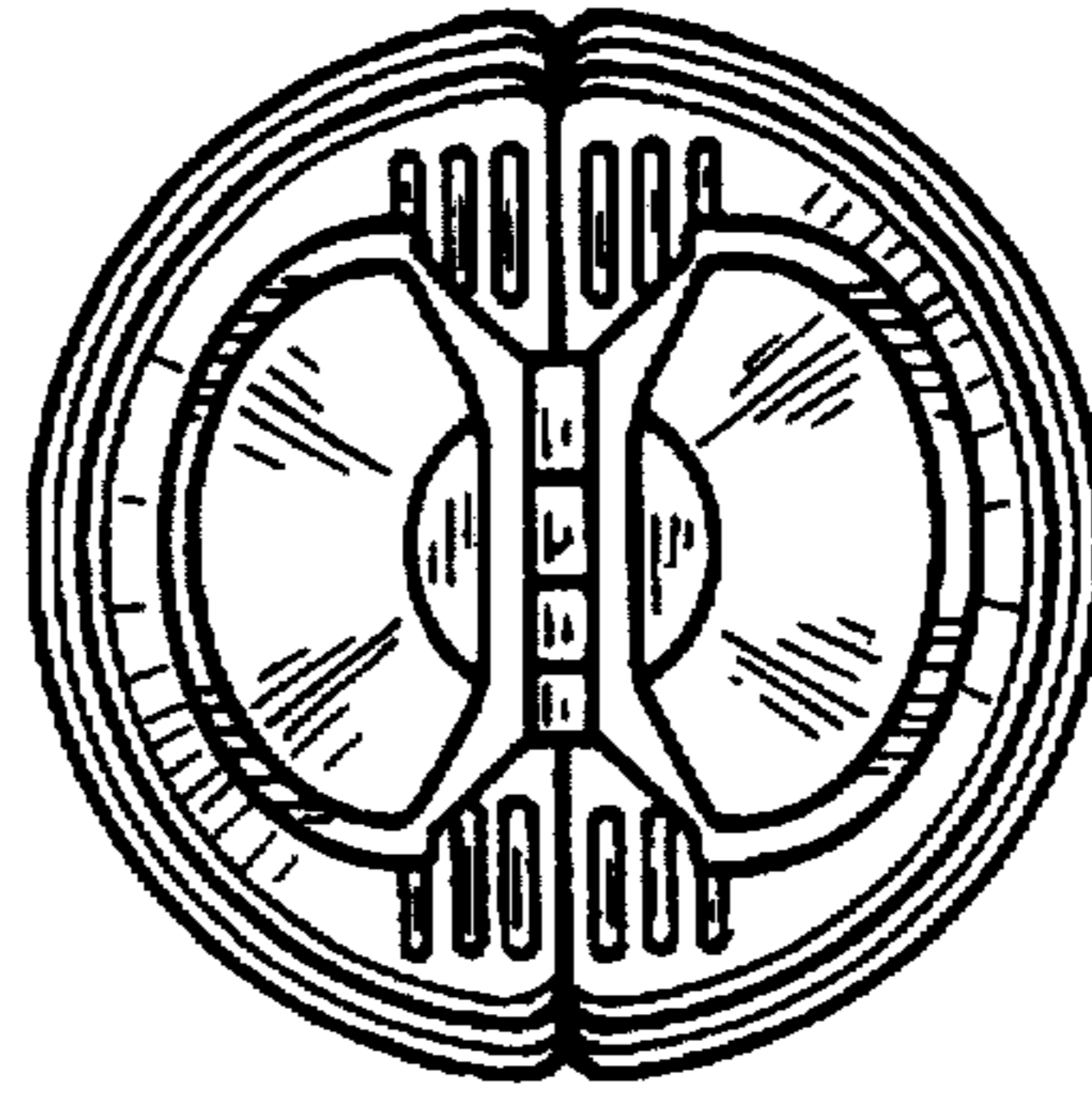


FIG. 3

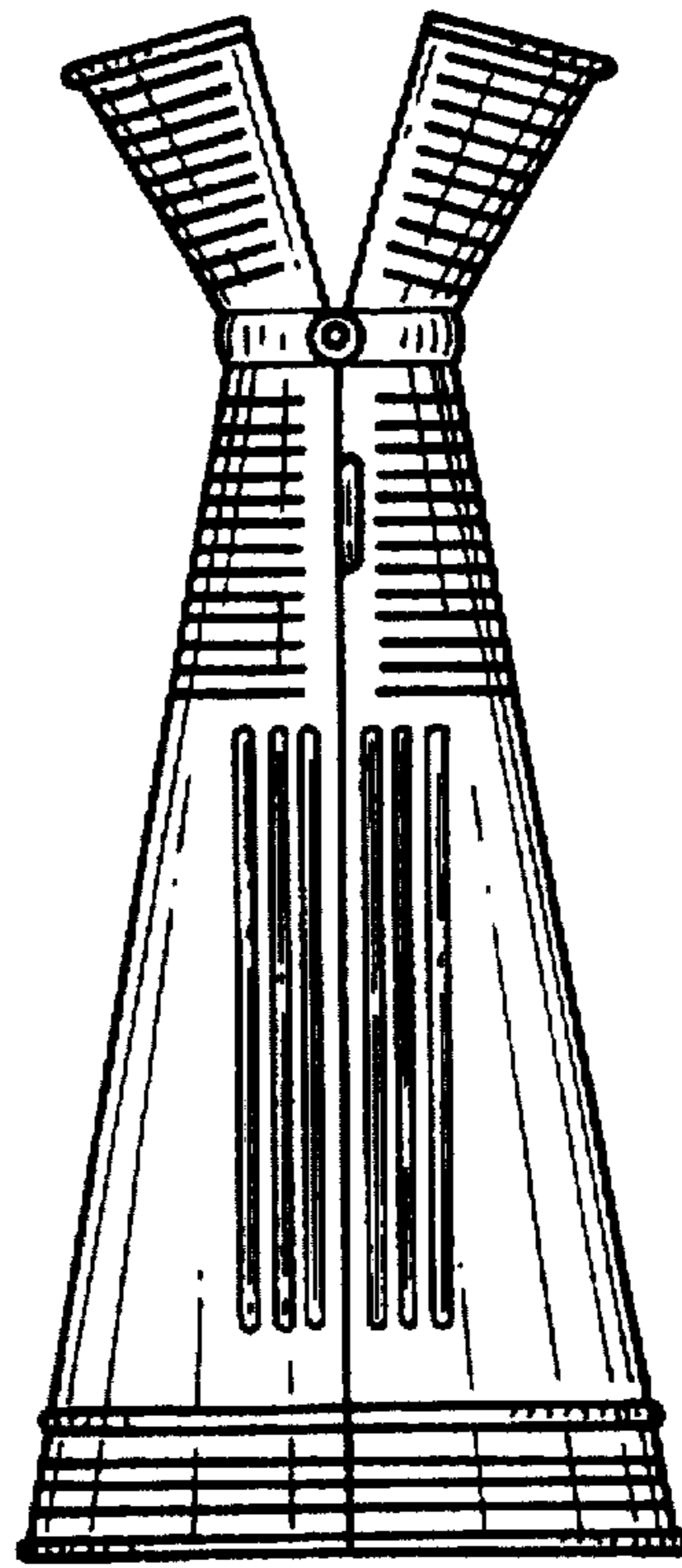


FIG. 1

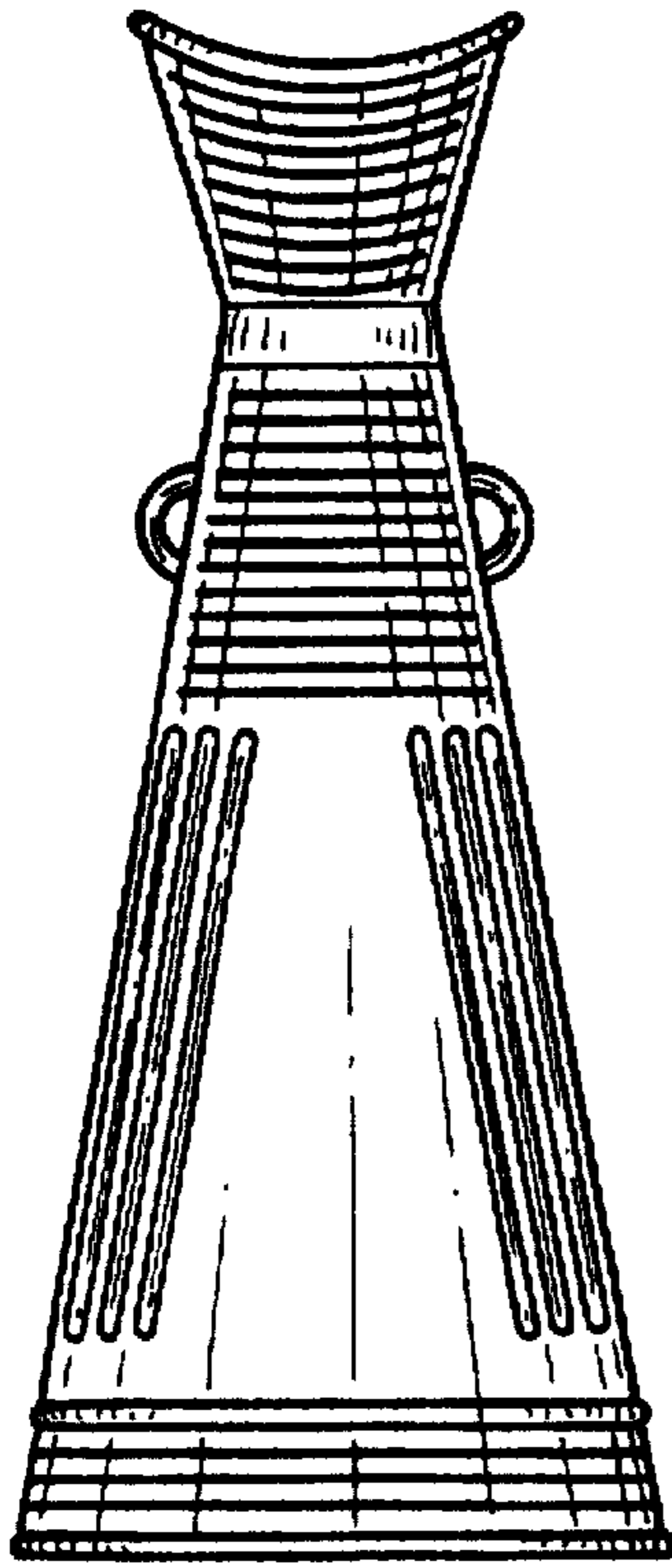


FIG. 5

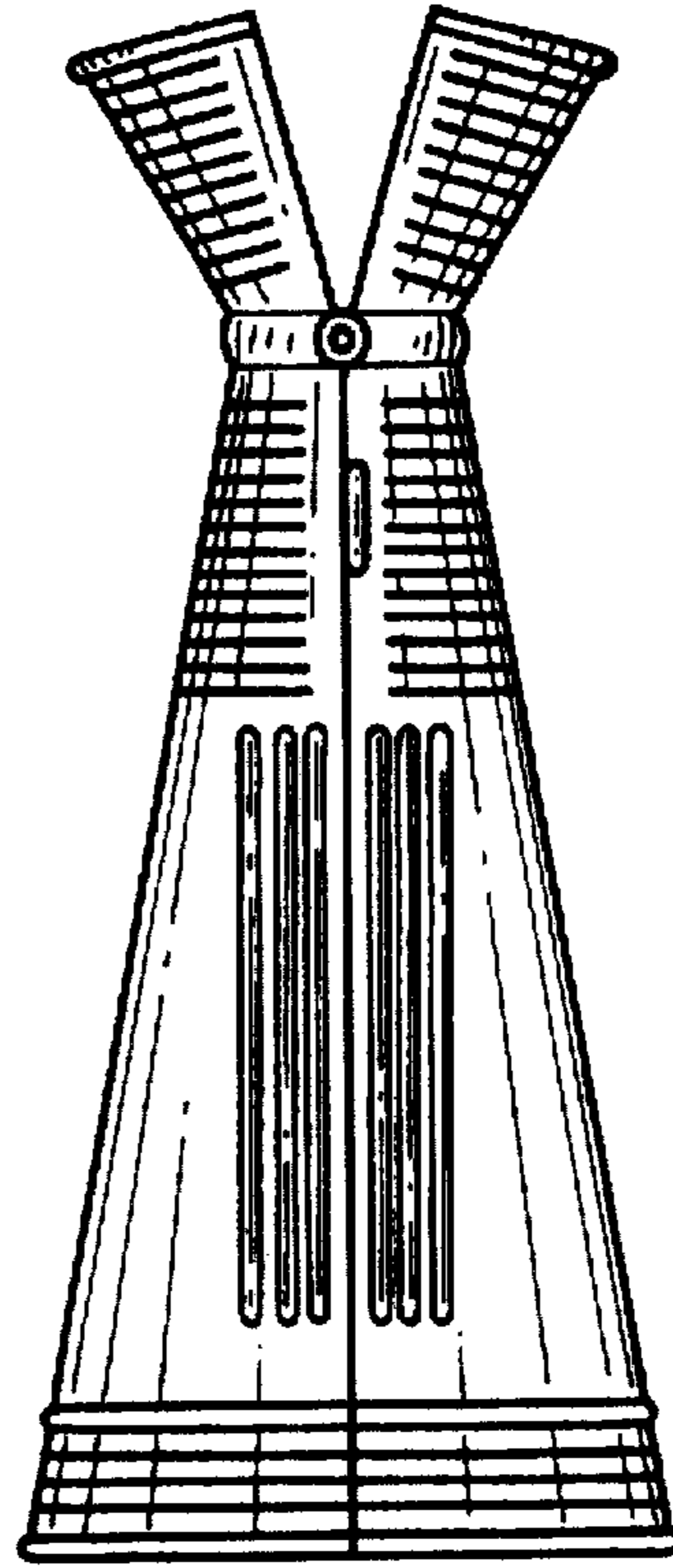


FIG. 4

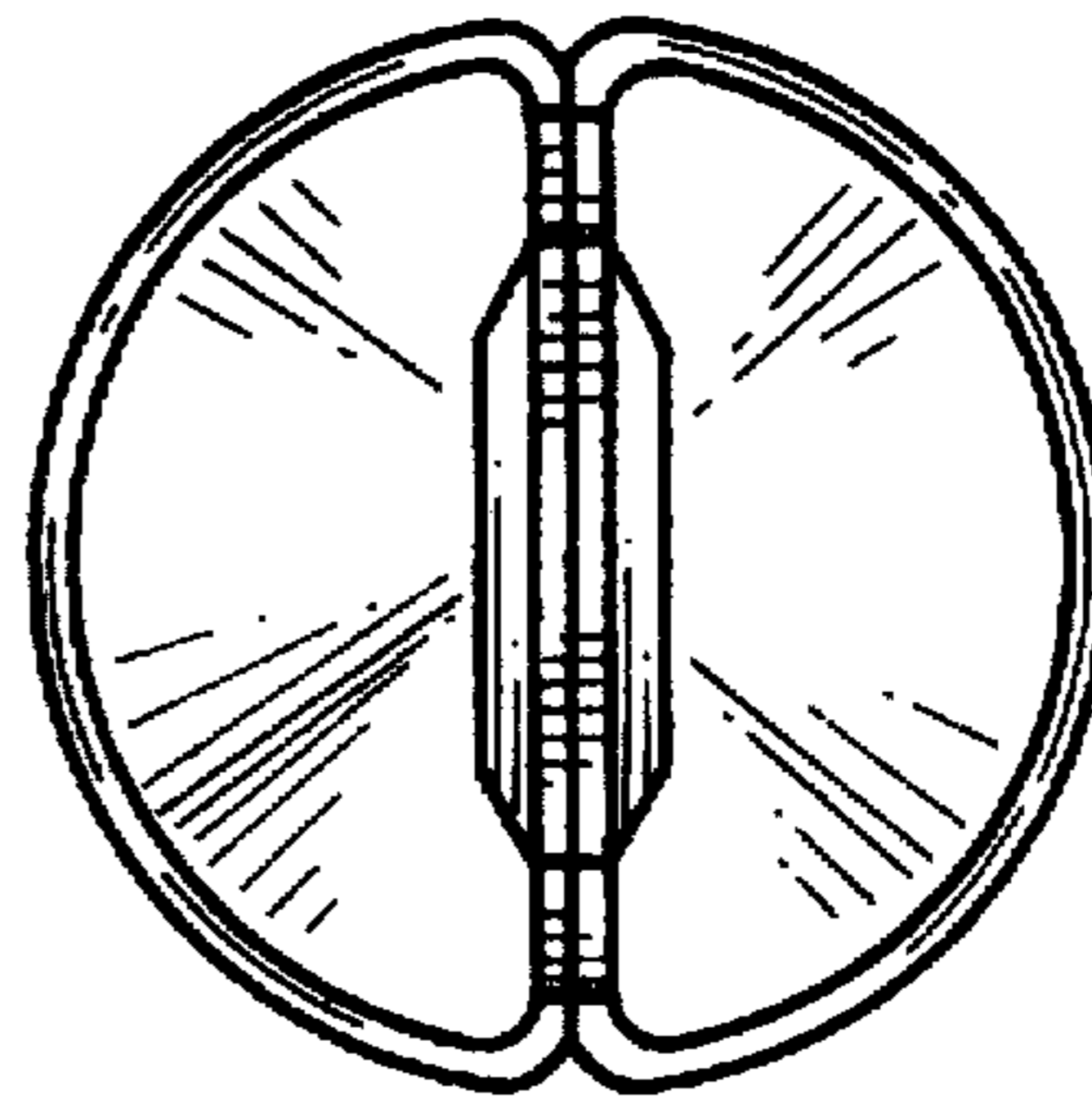


FIG. 6

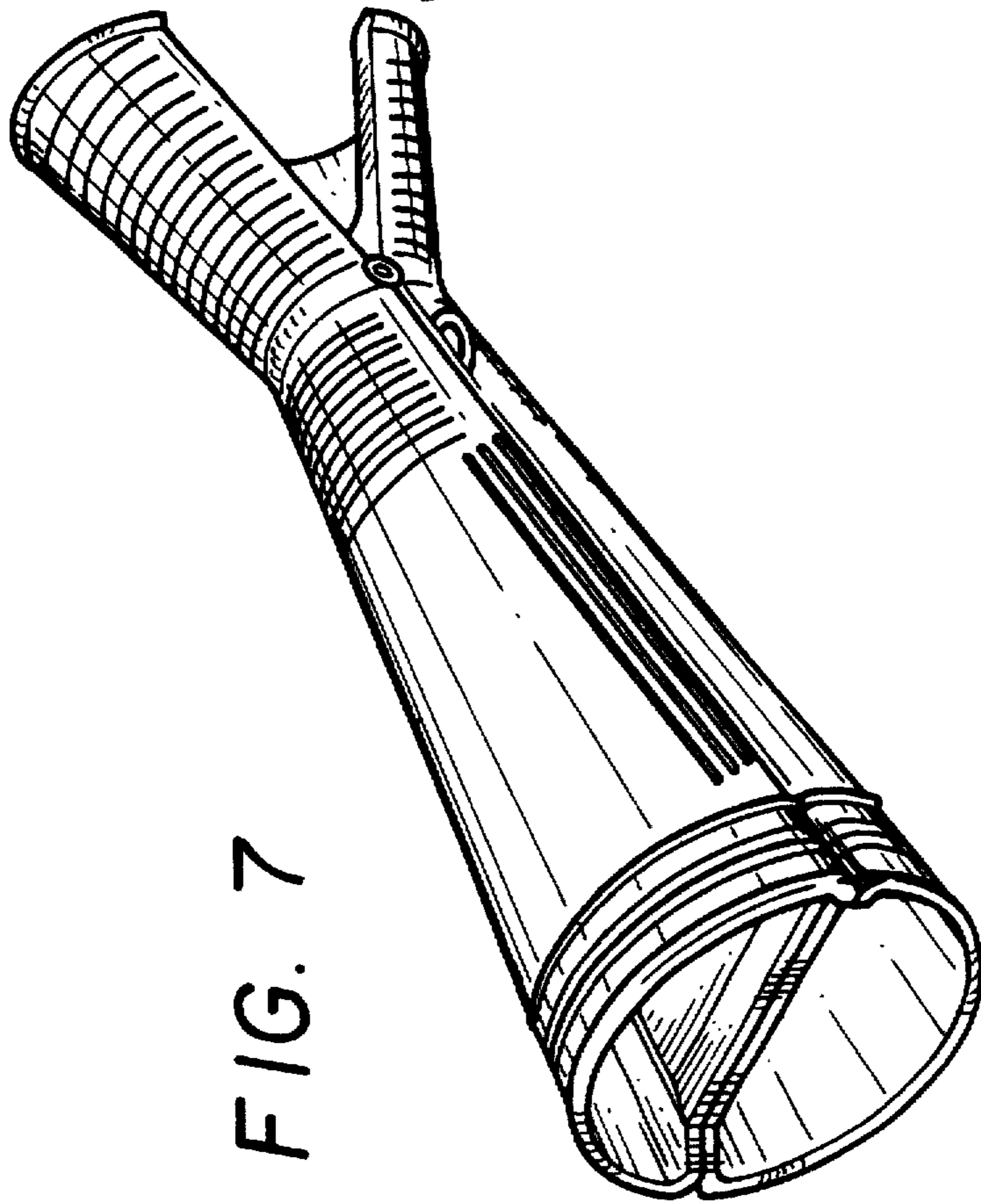


FIG. 7

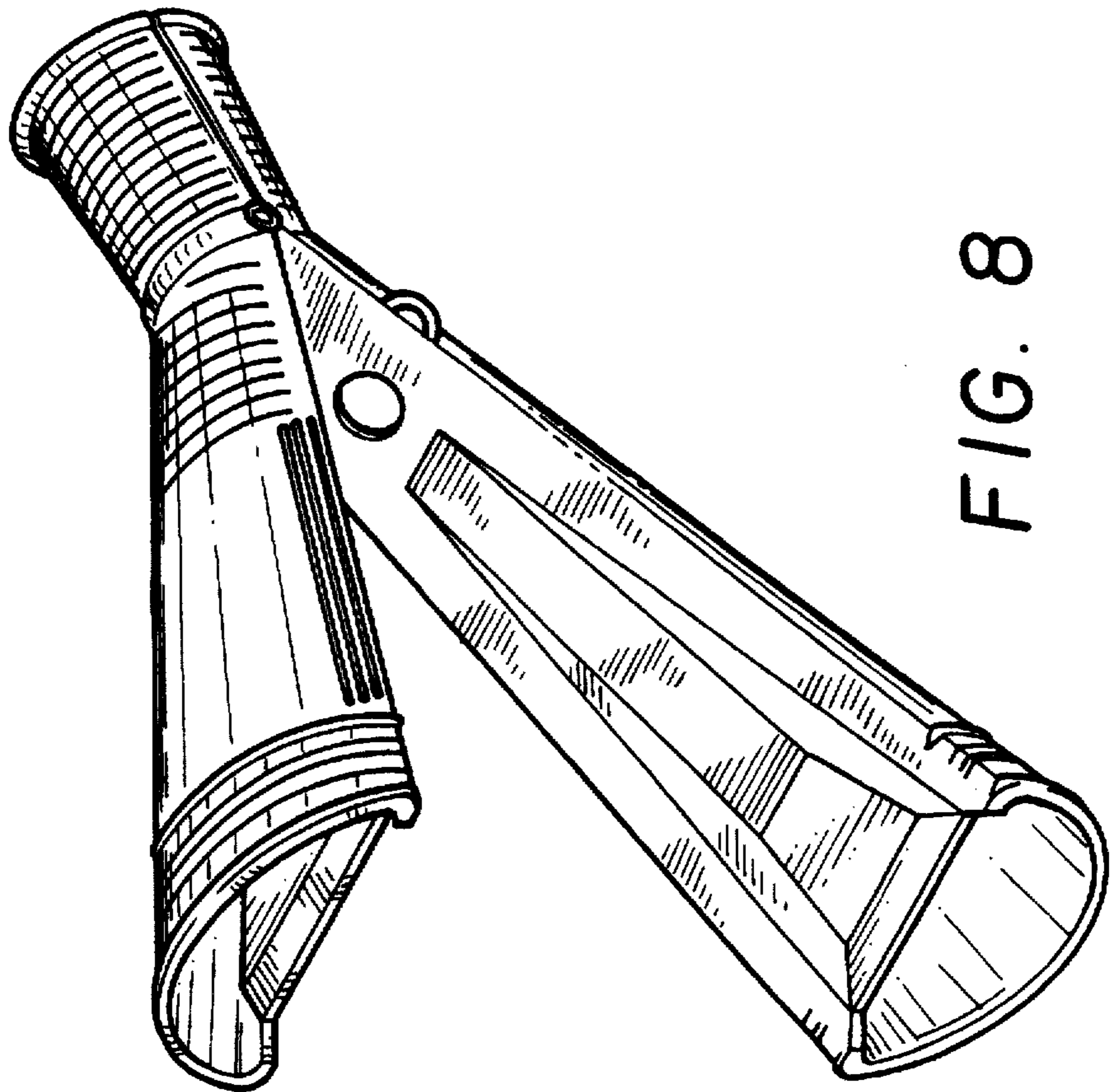


FIG. 8