



US00D390793S

United States Patent [19]
DeLong, Sr.

[11] **Patent Number: Des. 390,793**
[45] **Date of Patent: **Feb. 17, 1998**

[54] **MEASURING AND COUNTING BOARD**

[75] **Inventor: Clyde S. DeLong, Sr., Dallas, Tex.**

[73] **Assignee: The Card X Change, Inc., Dallas, Tex.**

[**] **Term: 14 Years**

[21] **Appl. No.: 49,759**

[22] **Filed: Jan. 30, 1996**

[51] **LOC (6) Cl. 10-04**

[52] **U.S. Cl. D10/70; D10/71**

[58] **Field of Search D10/46, 70, 71;
33/493-494, 562, 563, 564, 567**

[56] **References Cited**

U.S. PATENT DOCUMENTS

- D. 139,155 10/1944 Seymour D10/71 X
- D. 174,252 3/1955 Di Piero D10/71
- D. 266,250 9/1982 Gallaghr D10/71 X
- D. 266,328 9/1982 Fleshman D15/145 X

- D. 345,511 3/1994 Petrohilos D10/71 X
- D. 358,106 5/1995 Zaplatynsky et al. D10/125 X
- D. 366,246 1/1996 Simek et al. D10/125 X

Primary Examiner—Antoine Duval Davis
Attorney, Agent, or Firm—Konneker & Smith

[57] **CLAIM**

The ornamental design for a measuring and counting board, as shown and described.

DESCRIPTION

FIG. 1 is a perspective view of a measuring and counting board showing my new design;

FIG. 2 is a front elevational view thereof;

FIG. 3 is a top plan view thereof;

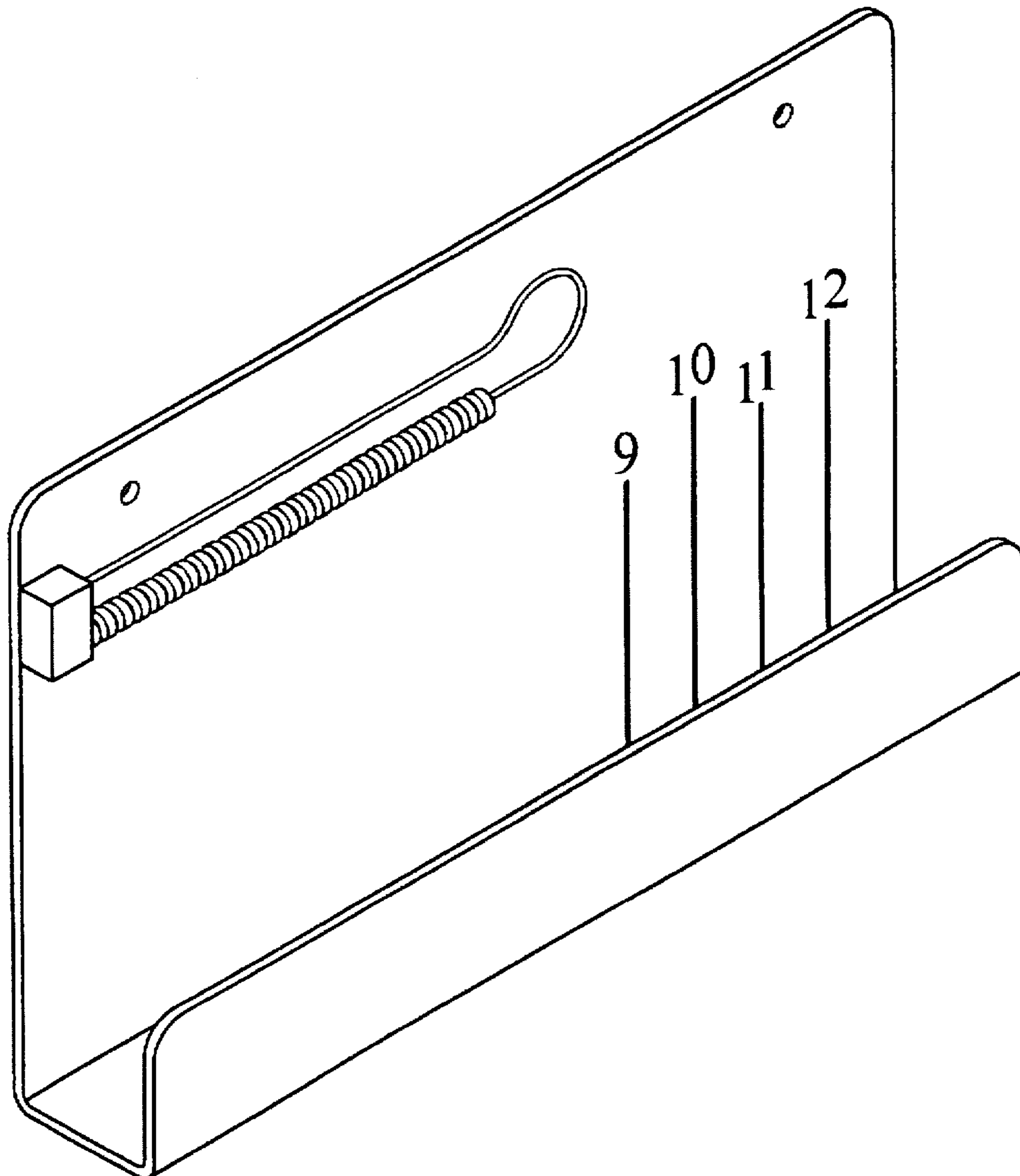
FIG. 4 is a right side elevational view thereof;

FIG. 5 is a left side elevational view thereof;

FIG. 6 is a bottom plan view thereof; and,

FIG. 7 is a rear elevational view thereof.

1 Claim, 3 Drawing Sheets



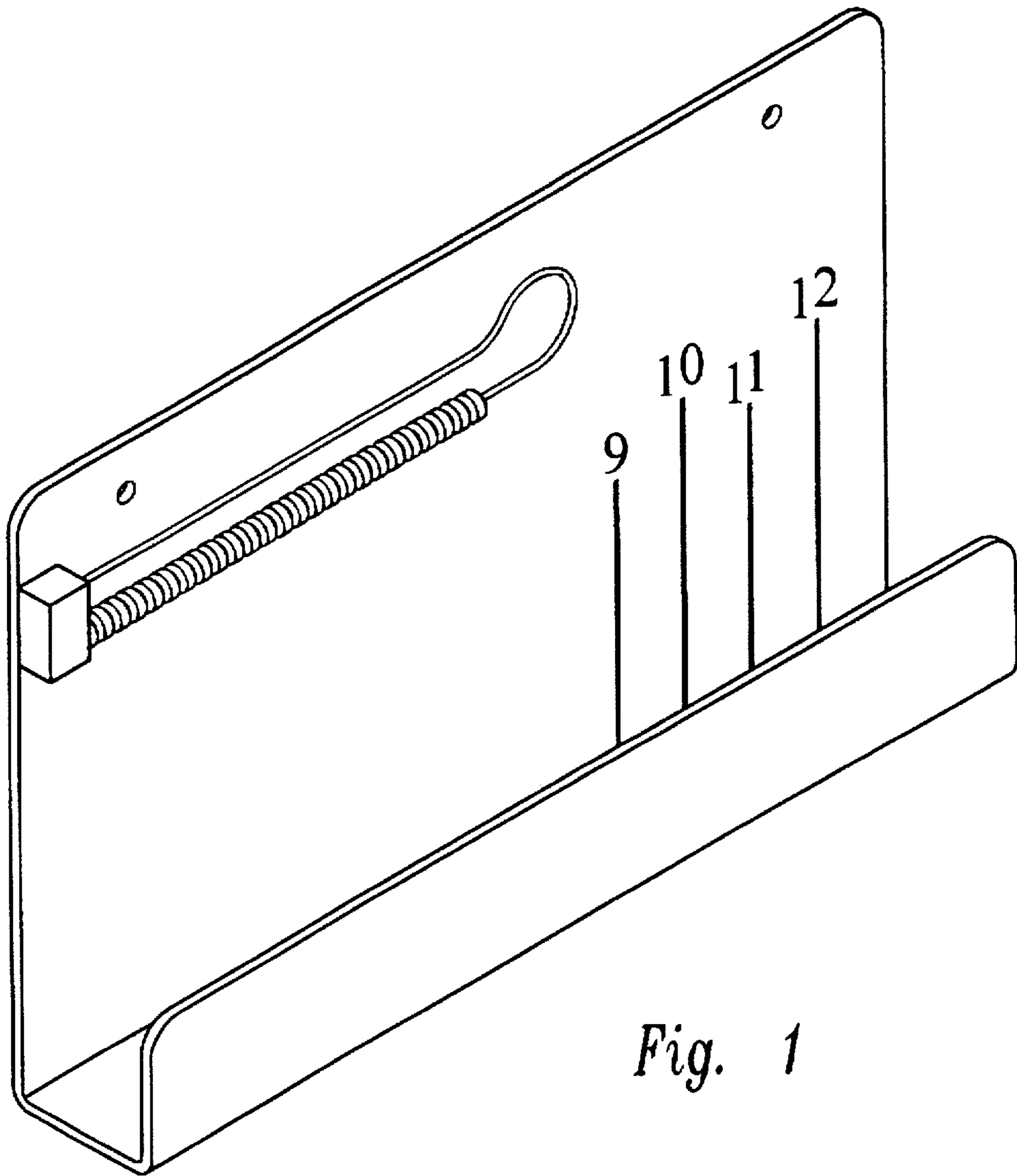


Fig. 1

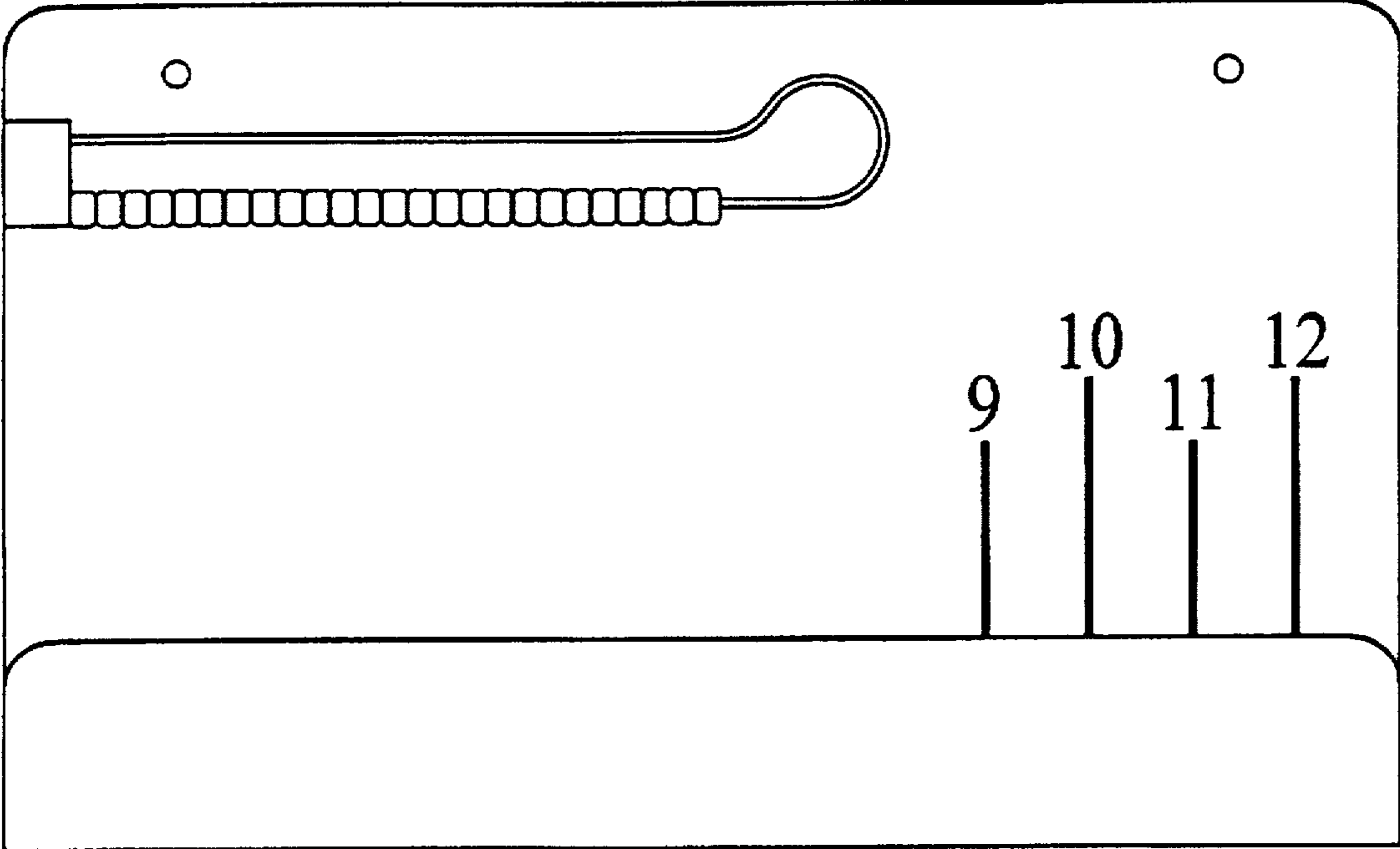


Fig. 2

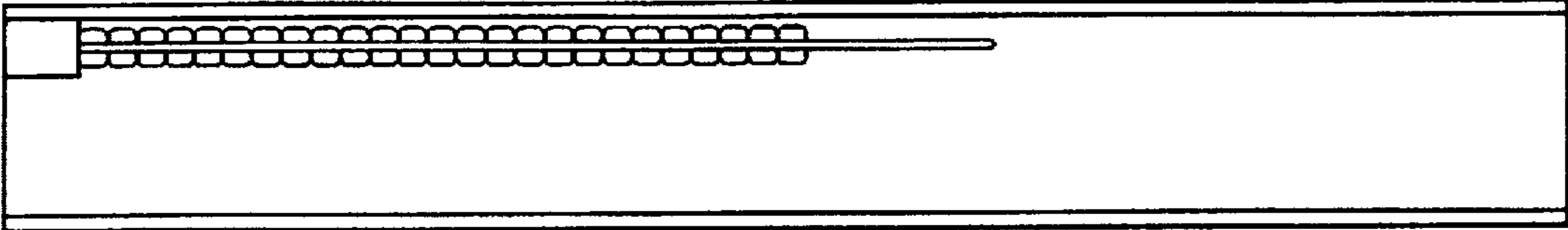


Fig. 3



Fig. 4

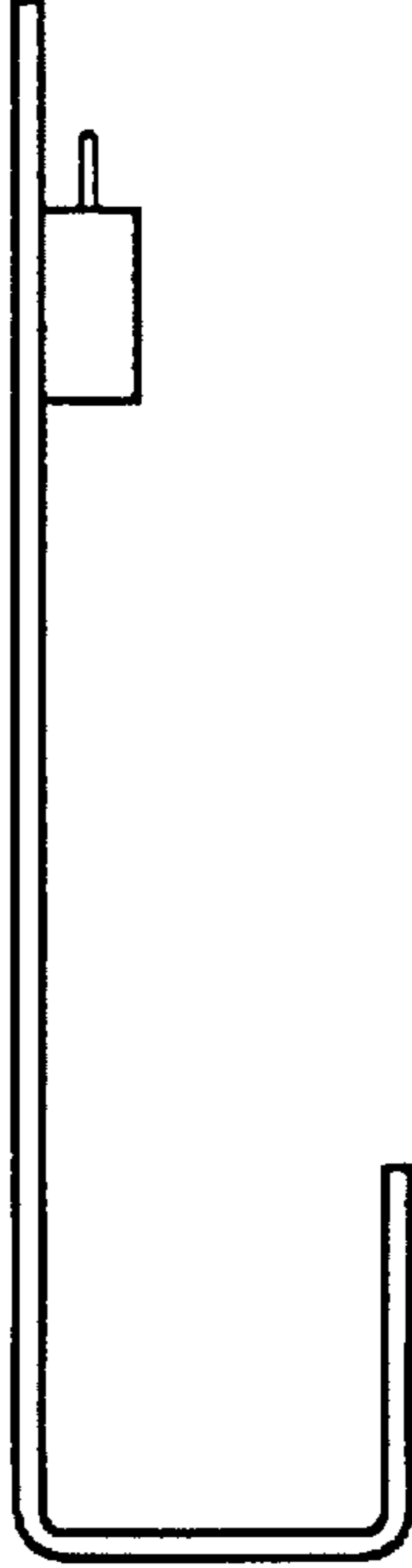


Fig. 5

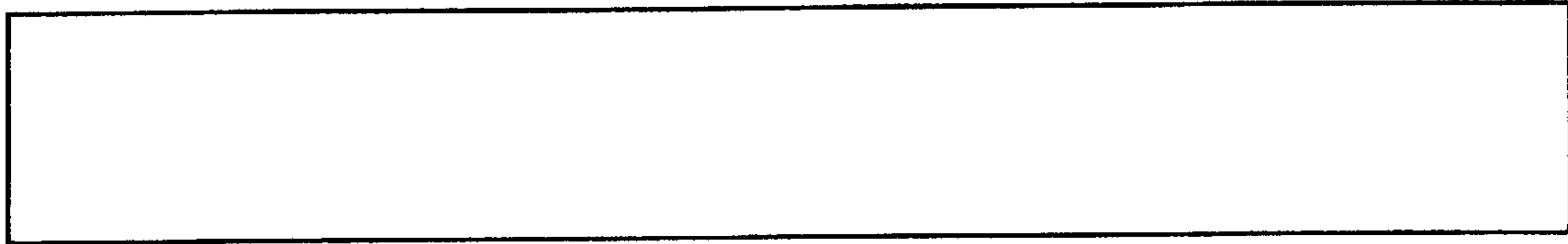


Fig. 6

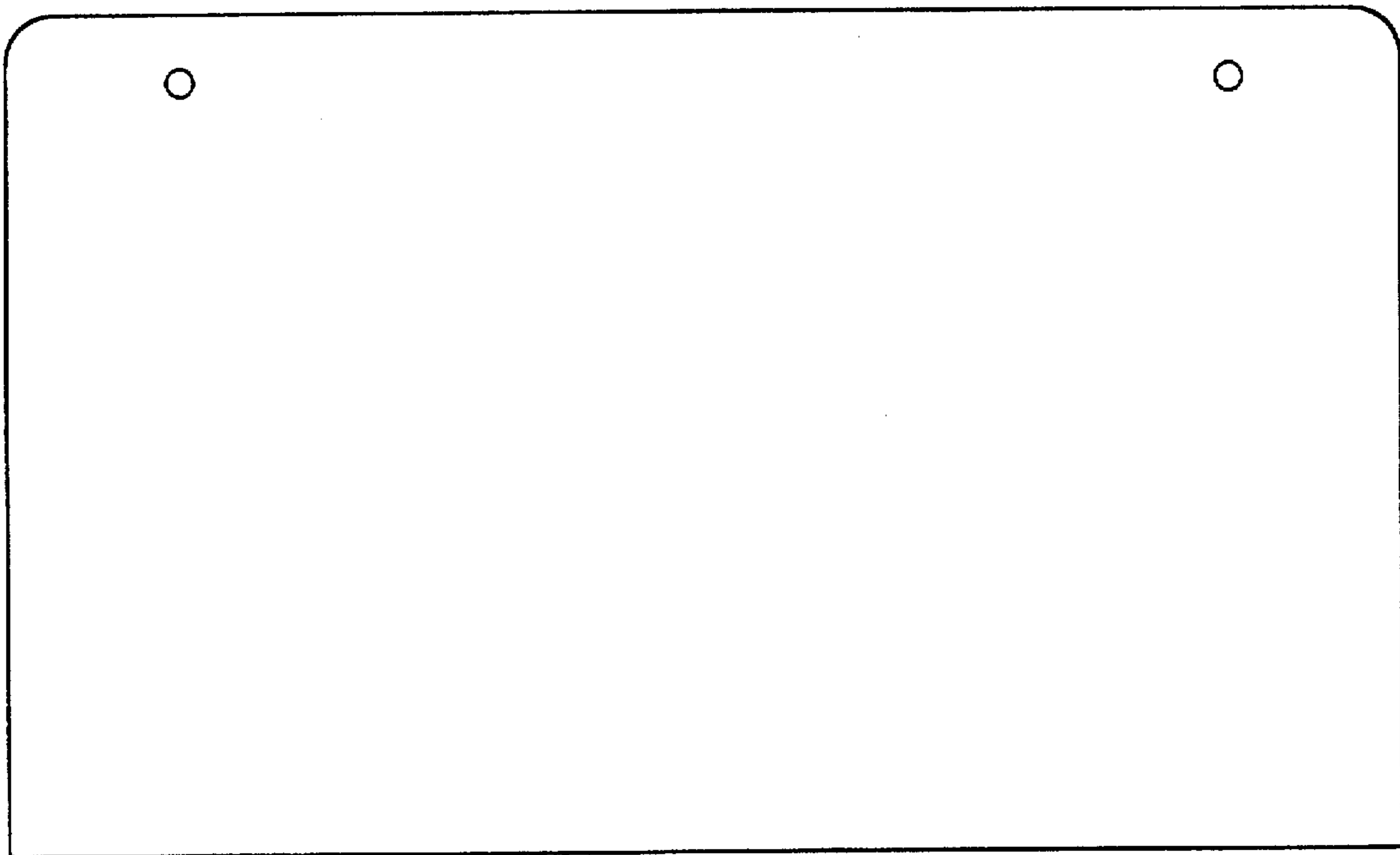


Fig. 7