



US00D390776S

United States Patent [19]

[11] Patent Number: **Des. 390,776**

Ueno

[45] Date of Patent: ****Feb. 17, 1998**

[54] ATTACHMENT FOR A PLATE MEMBER

FOREIGN PATENT DOCUMENTS

[75] Inventor: **Eiji Ueno**, Utsunomiya, Japan

1060079	2/1967	United Kingdom	24/297
1163572	9/1969	United Kingdom	24/297
1444846	8/1976	United Kingdom	24/297

[73] Assignee: **Nifco Inc.**, Yokohama, Japan

[**] Term: **14 Years**

Primary Examiner—Ted Shooman
Assistant Examiner—C. Tuttle
Attorney, Agent, or Firm—Kanesaka & Takeuchi

[21] Appl. No.: **54,756**

[57] CLAIM

[22] Filed: **May 21, 1996**

The ornamental design for an attachment for a plate member, as shown and described.

[30] Foreign Application Priority Data

DESCRIPTION

Dec. 8, 1995 [JP] Japan 7-37122

[51] LOC (6) Cl. **08-08**

[52] U.S. Cl. **D8/382**

[58] Field of Search D8/382, 385, 386,
D8/394, 395; 24/297, 453; 411/508, 509

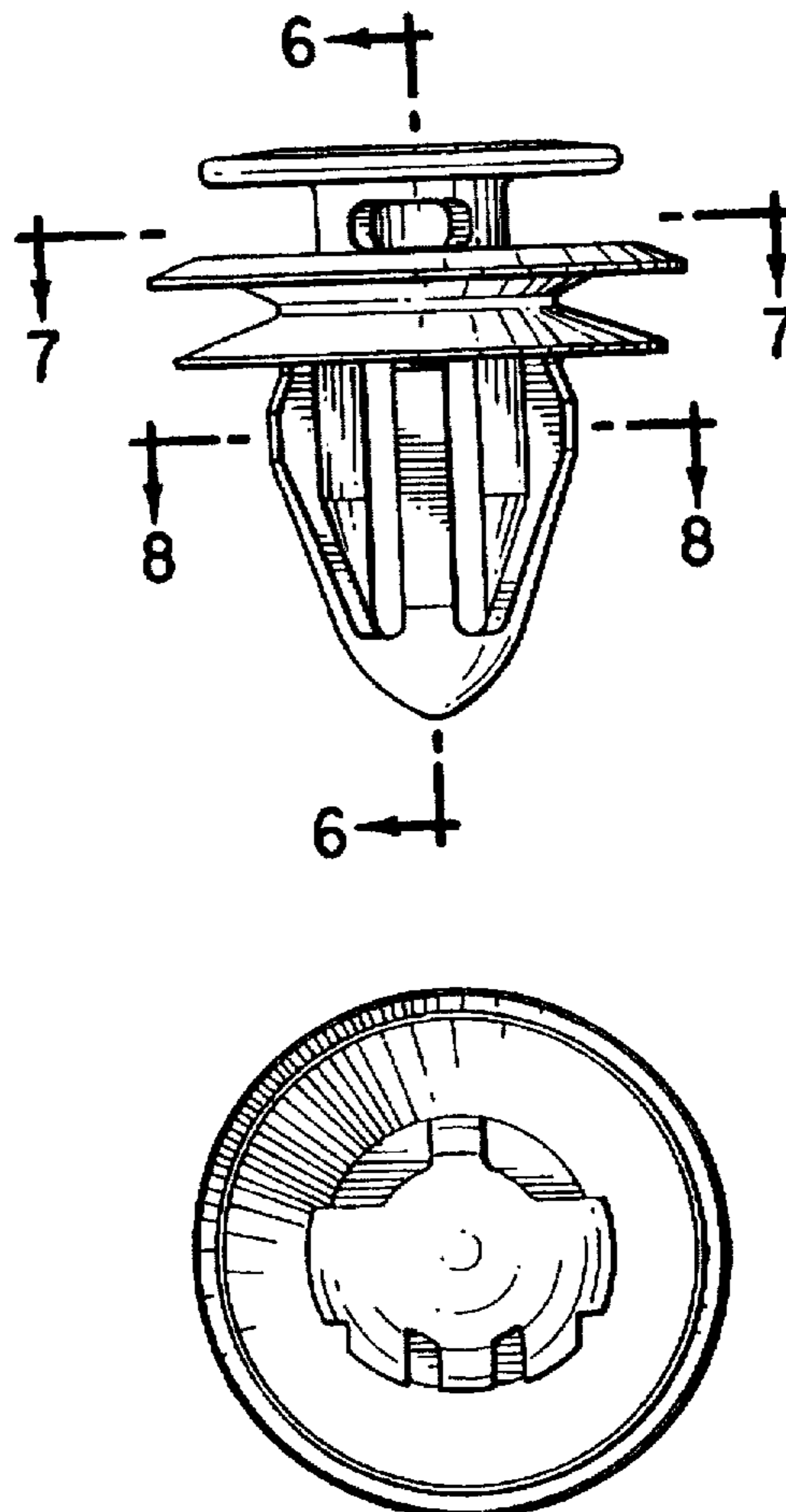
FIG. 1 is a top plan view of an attachment for a plate member showing my new design;
 FIG. 2 is a front view thereof;
 FIG. 3 is a rear view thereof;
 FIG. 4 is a bottom plan view thereof;
 FIG. 5 is a right side view thereof, the left side view being symmetrical to the right side view;
 FIG. 6 is a cross sectional view taken along line 6—6 in FIG. 2;
 FIG. 7 is a cross sectional view taken along line 7—7 in FIG. 2; and,
 FIG. 8 is a cross sectional view taken along line 8—8 in FIG. 2.

[56] References Cited

U.S. PATENT DOCUMENTS

D. 297,615	9/1988	Nakama	D8/382
D. 354,219	1/1995	Shimajiri	D8/382
D. 355,113	2/1995	Shimajiri	D8/382
3,678,797	7/1972	Seckerson	411/509
4,987,656	1/1991	Sato	24/297
5,301,396	4/1994	Benoit	24/297 X
5,573,362	11/1996	Asami et al.	411/509

1 Claim, 2 Drawing Sheets



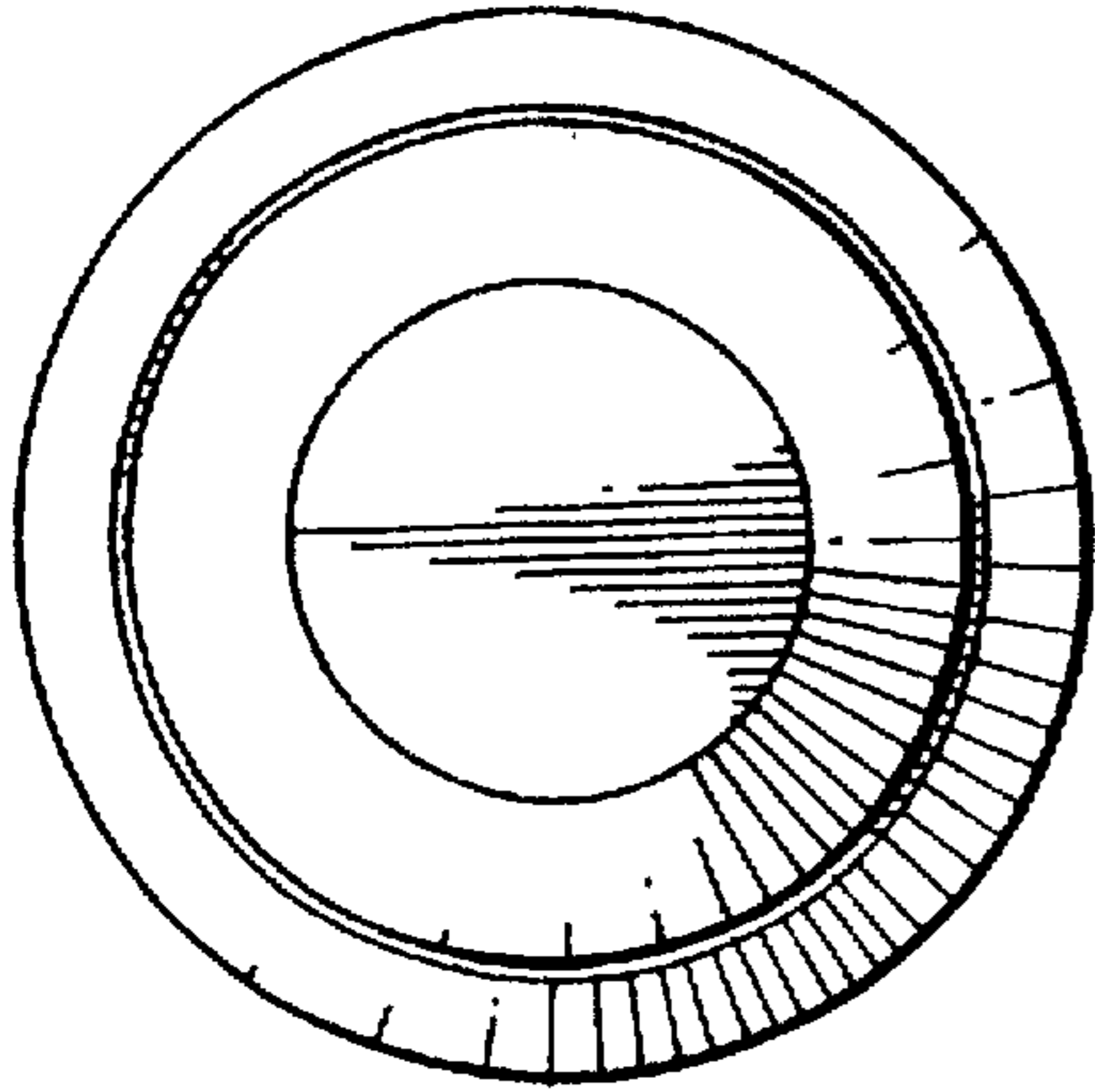


FIG. 1

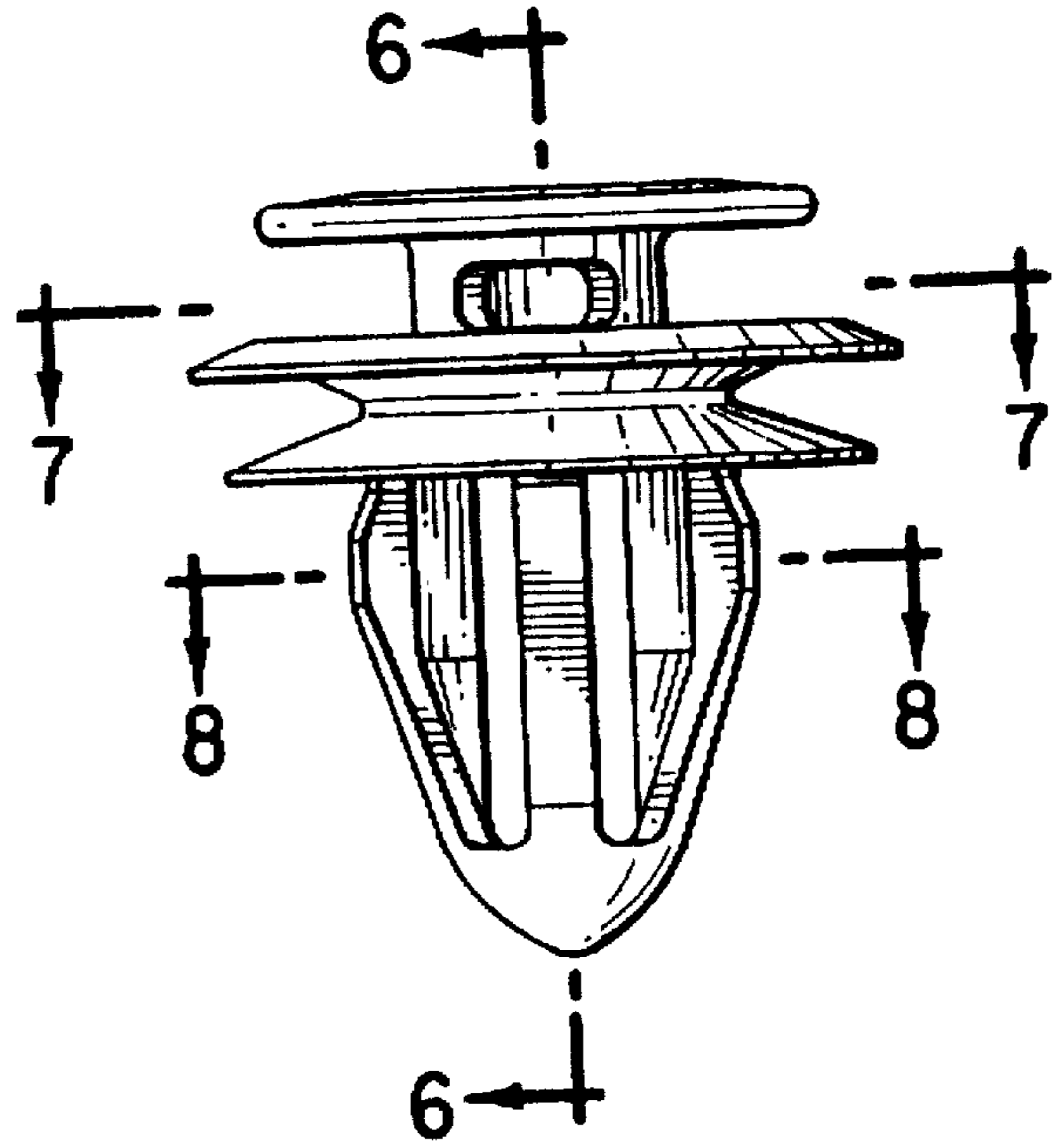


FIG. 2

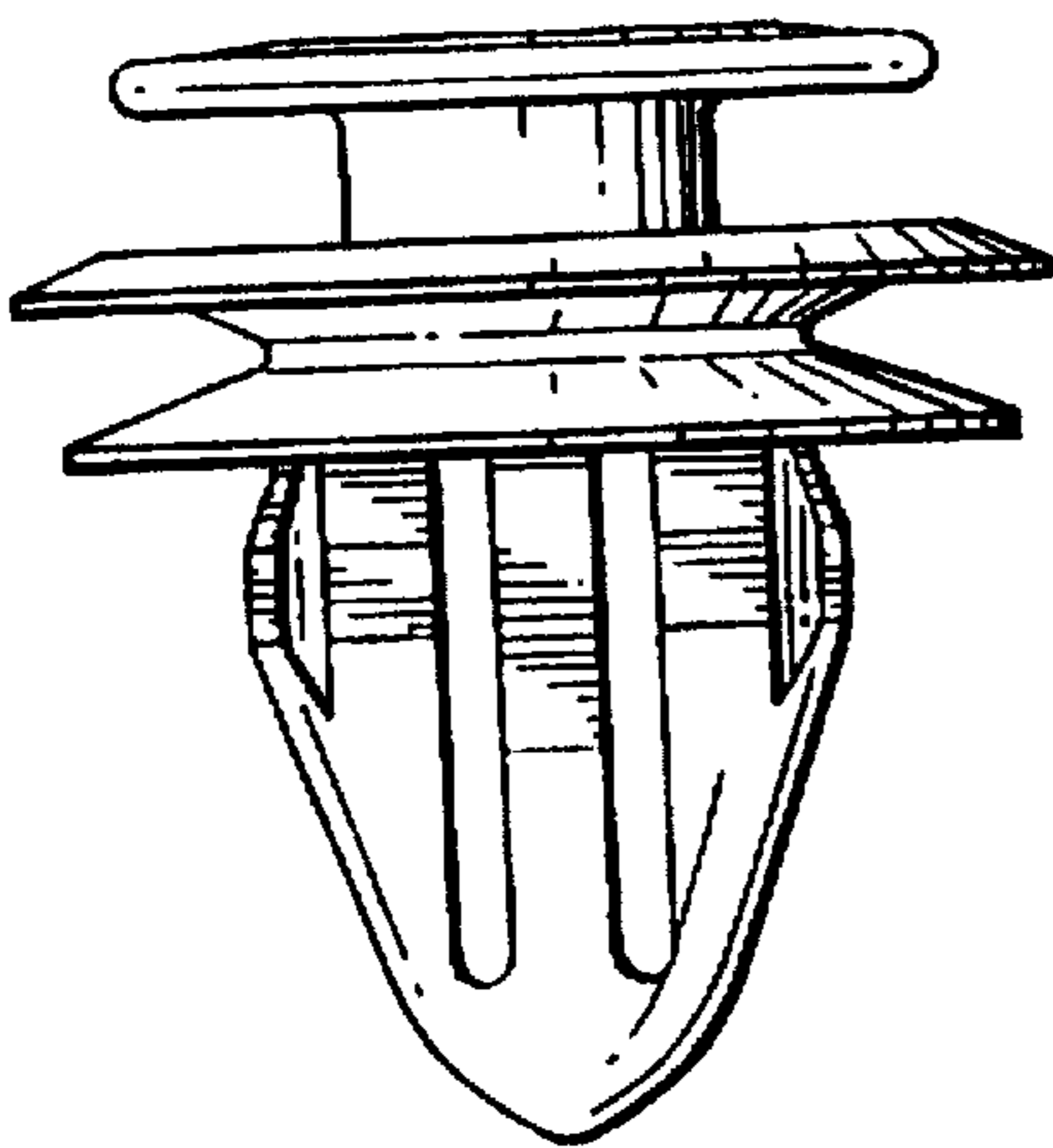


FIG. 3

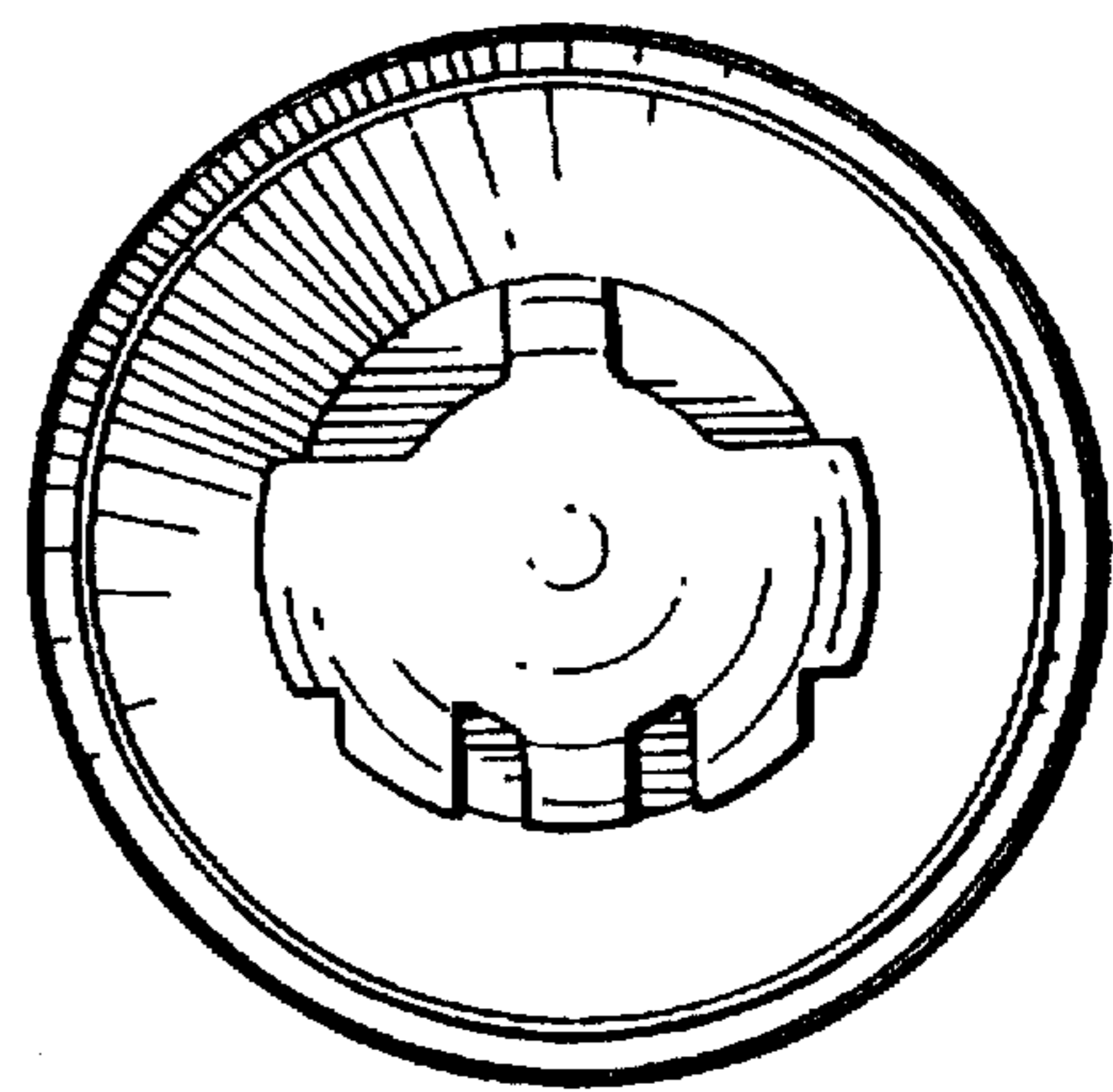


FIG. 4

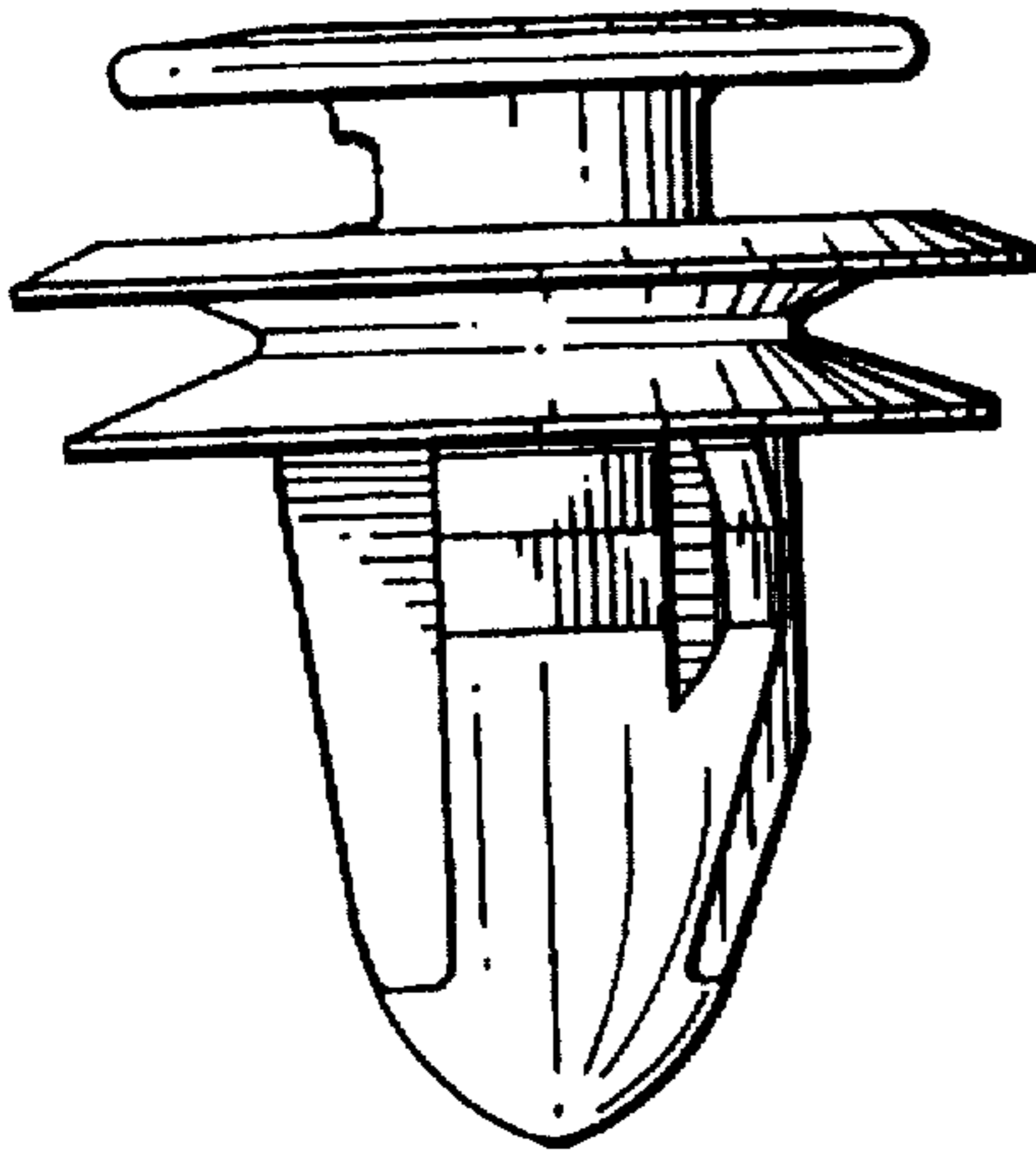


FIG. 5

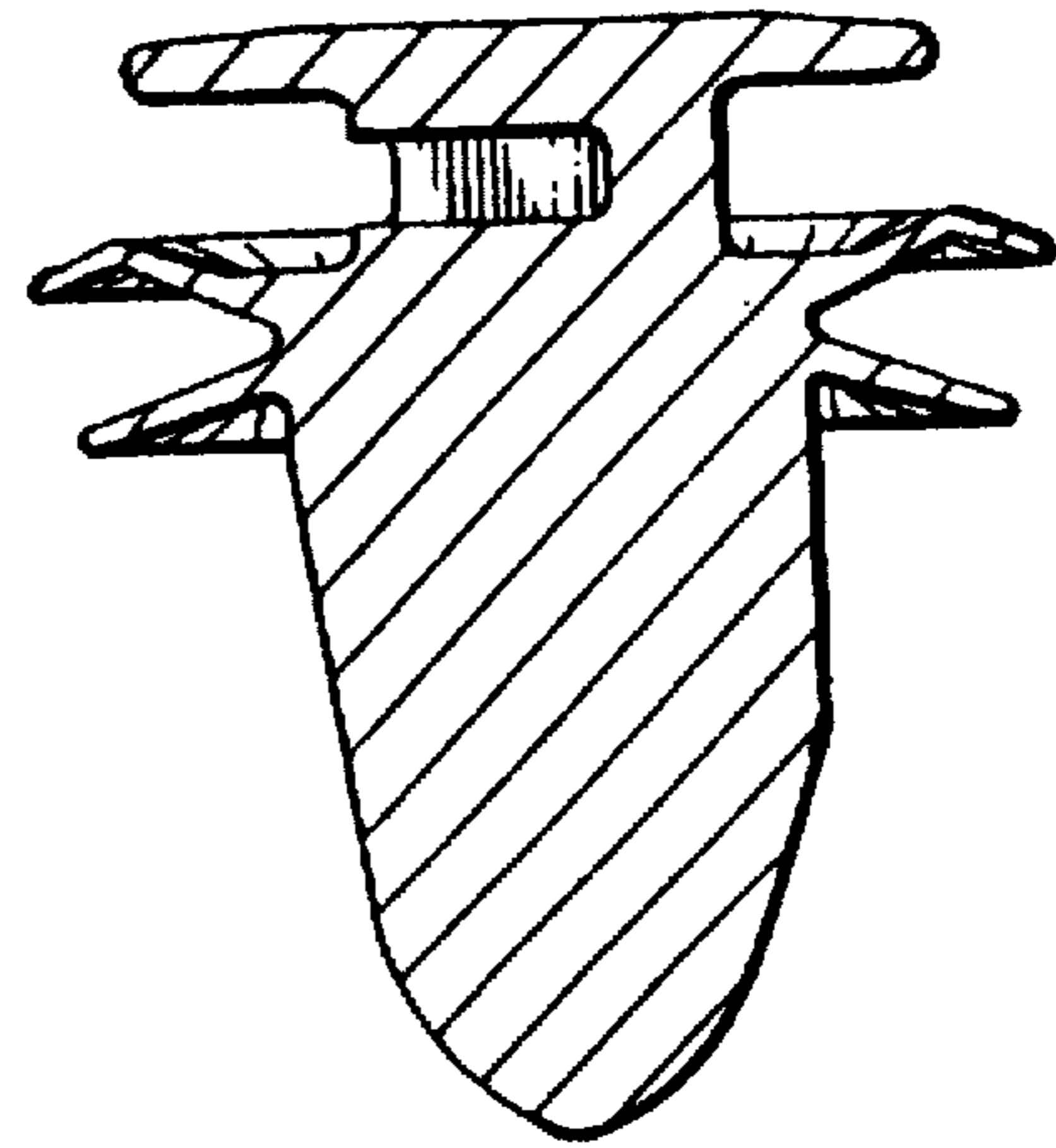


FIG. 6

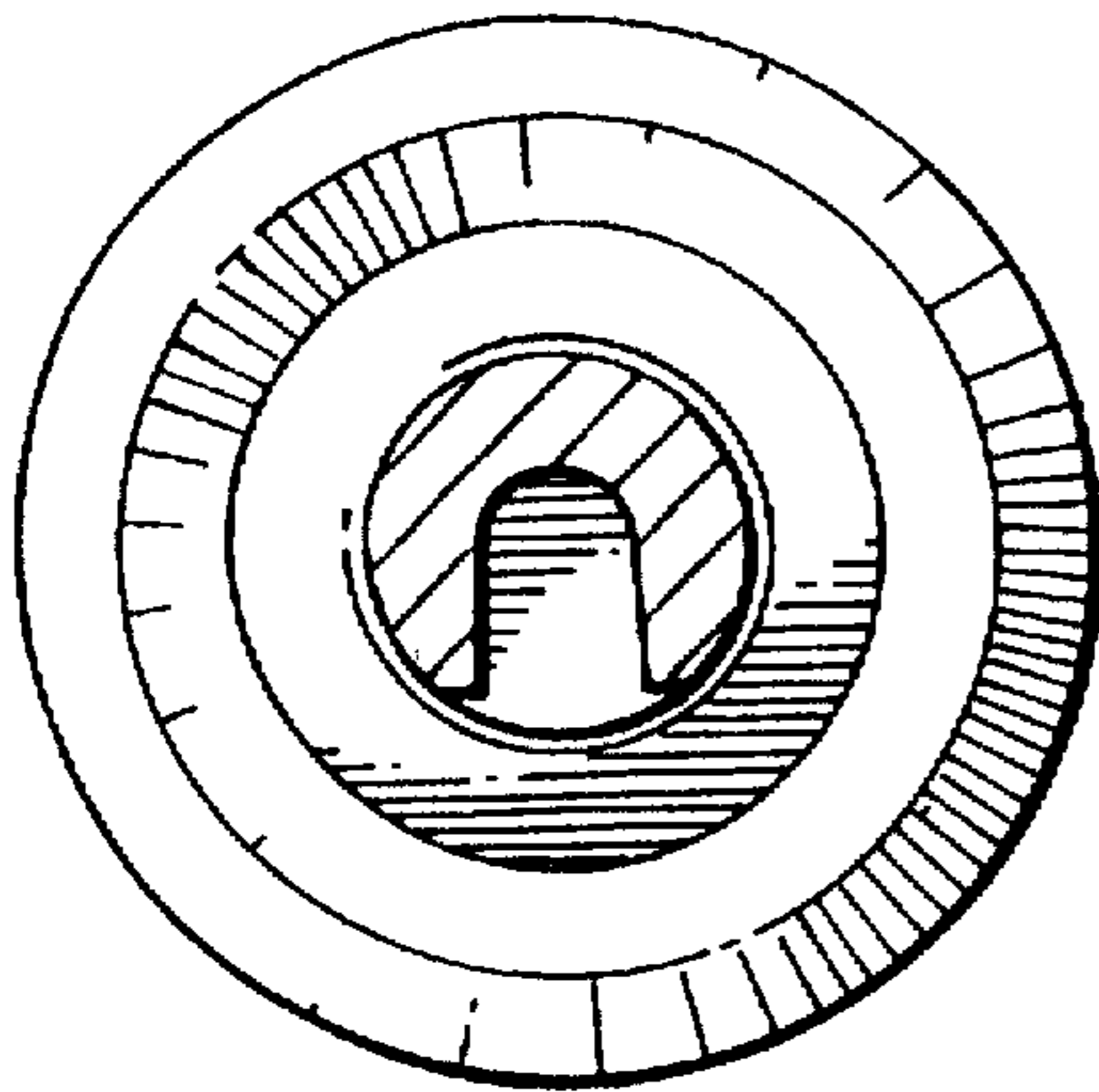


FIG. 7

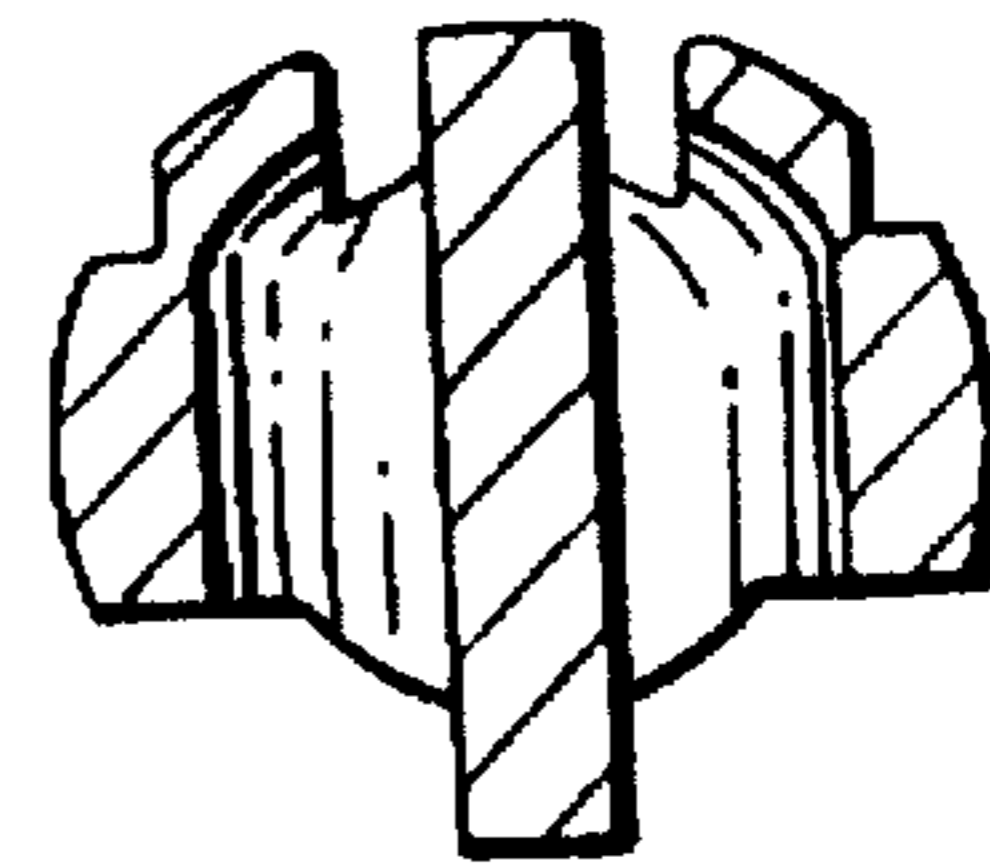


FIG. 8