



US00D390775S

# United States Patent [19]

DePietro

[11] Patent Number: **Des. 390,775**

[45] Date of Patent: **\*\*Feb. 17, 1998**

[54] **PIPE AND TUBE HANGER**

[75] Inventor: **Mark A. DePietro**, Canton, Ohio

[73] Assignee: **Diebold, Incorporated**, Canton, Ohio

[\*\*] Term: **14 Years**

[21] Appl. No.: **66,839**

[22] Filed: **Mar. 3, 1997**

[51] LOC (6) Cl. .... **08-05**

[52] U.S. Cl. .... **D8/373**

[58] Field of Search ..... **D8/373, 380; 248/317, 248/62, 68.1, 74.1-74.4**

4,260,123	4/1981	Ismert	248/74 R
4,407,478	10/1983	Hodges	248/542
4,588,152	5/1986	Ruehl et al.	248/71
4,730,800	3/1988	Engman	248/74.1 X
4,826,111	5/1989	Ismert	248/49
4,840,334	6/1989	Kikuchi	248/73
4,842,237	6/1989	Wollar	248/548
4,903,920	2/1990	Merritt	248/71
4,936,530	6/1990	Wollar	248/71
4,961,554	10/1990	Snowton	248/68.1
4,971,272	11/1990	Gudridge et al.	248/74.5
4,978,090	12/1990	Wichert et al.	248/74.1
5,054,741	10/1991	Ismert	248/74.5

Primary Examiner—Holly Baynham

Attorney, Agent, or Firm—D. Peter Hochberg; Mark Kusner

[57] **CLAIM**

The ornamental design for a pipe and tube hanger, as shown and described.

**DESCRIPTION**

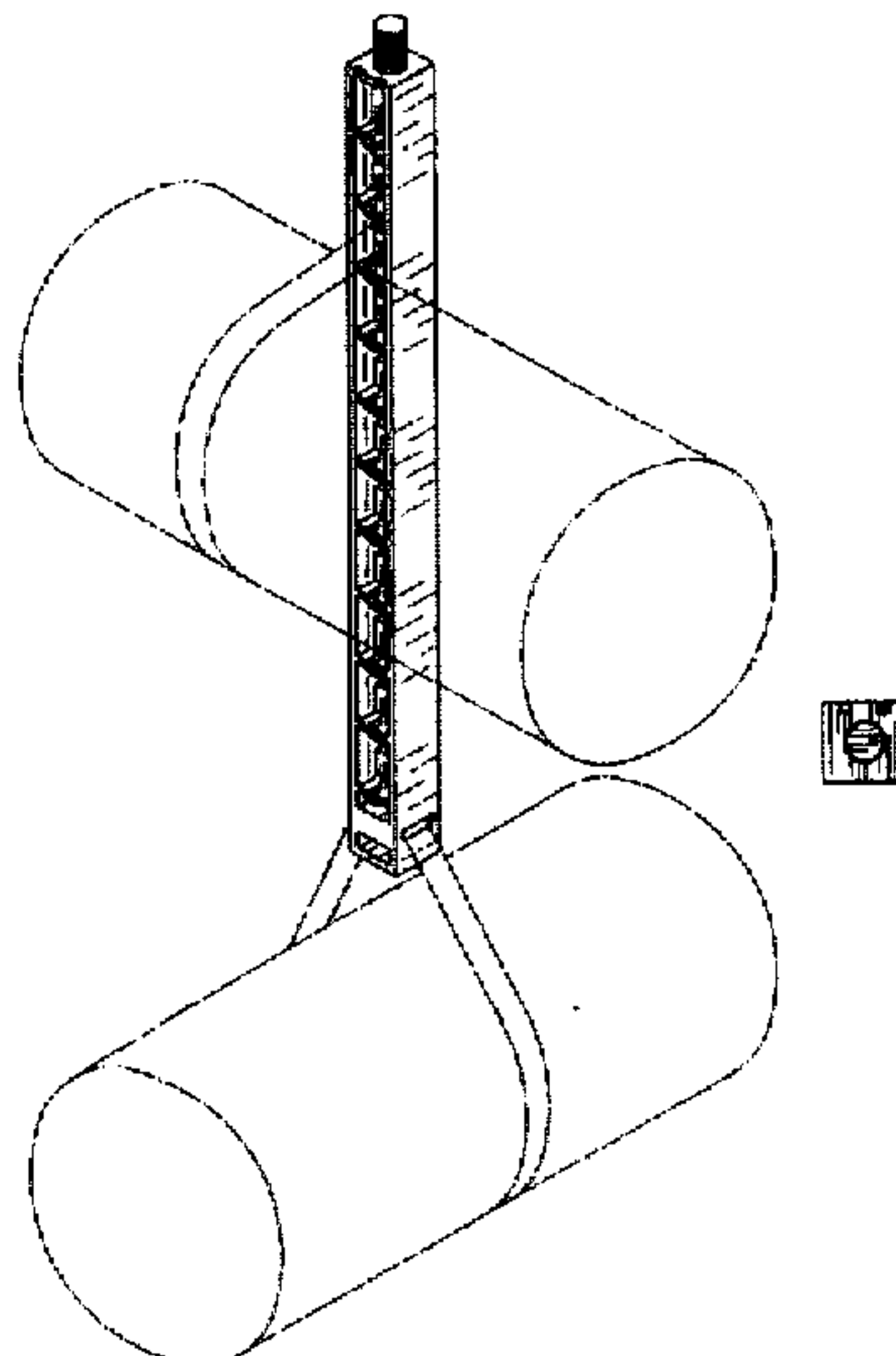
FIG. 1 is a perspective view of a pipe and tube hanger illustrating my new design with the broken line showing of tubular elements and straps being for illustrative purposes only and forming no part of the claimed design; FIG. 2 is a perspective view taken from above; FIG. 3 is a perspective view taken from below; FIG. 4 is a front elevational view thereof; FIG. 5 is a side elevational view thereof, the opposite side being a mirror image thereof; FIG. 6 is a back elevational view thereof; FIG. 7 is a bottom view thereof; FIG. 8 is a top view thereof; FIG. 9 is a top perspective view of a pipe and tube hanger illustrating an alternate embodiment of my new design; FIG. 10 is a top view thereof; FIG. 11 is a bottom view thereof; FIG. 12 is a front elevational view thereof; FIG. 13 is a side elevational view thereof, the opposite side being a mirror image thereof; and, FIG. 14 is a back elevational view thereof.

**1 Claim, 7 Drawing Sheets**

[56] **References Cited**

**U.S. PATENT DOCUMENTS**

521,149	6/1894	Boyd	.
525,891	9/1894	Fricke	.
576,339	2/1897	Clayton	.
661,604	11/1900	Grabler	.
1,320,828	11/1919	Bilbrough	.
1,522,979	1/1925	Ratigan	.
1,588,172	6/1926	Crocker	.
1,804,472	5/1931	Leslie	.
2,319,832	5/1943	Trochim	248/60
2,570,957	10/1951	Lee	248/71
2,665,950	1/1954	Johnson	304/2
2,854,824	10/1958	Curry et al.	61/45
2,862,368	12/1958	Dempsey	61/45
3,016,220	1/1962	Rose	248/74
3,136,515	6/1964	Potruch	248/62
3,218,011	11/1965	Ammann	248/62
3,218,012	11/1965	Volpe	248/62
3,273,837	9/1966	Willert et al.	248/317 X
3,279,300	10/1966	Larson	85/28
3,355,132	11/1967	Jenkins	248/59
3,430,905	3/1969	Pepe	248/74
3,559,910	2/1971	Babb	248/74.3 X
3,888,439	6/1975	Tuttle	248/74.1
3,923,277	12/1975	Perrault et al.	248/68.1 X
4,032,096	6/1977	Perrault et al.	248/73
4,042,198	8/1977	Takeuchi	248/62
4,254,930	3/1981	Warren	248/542



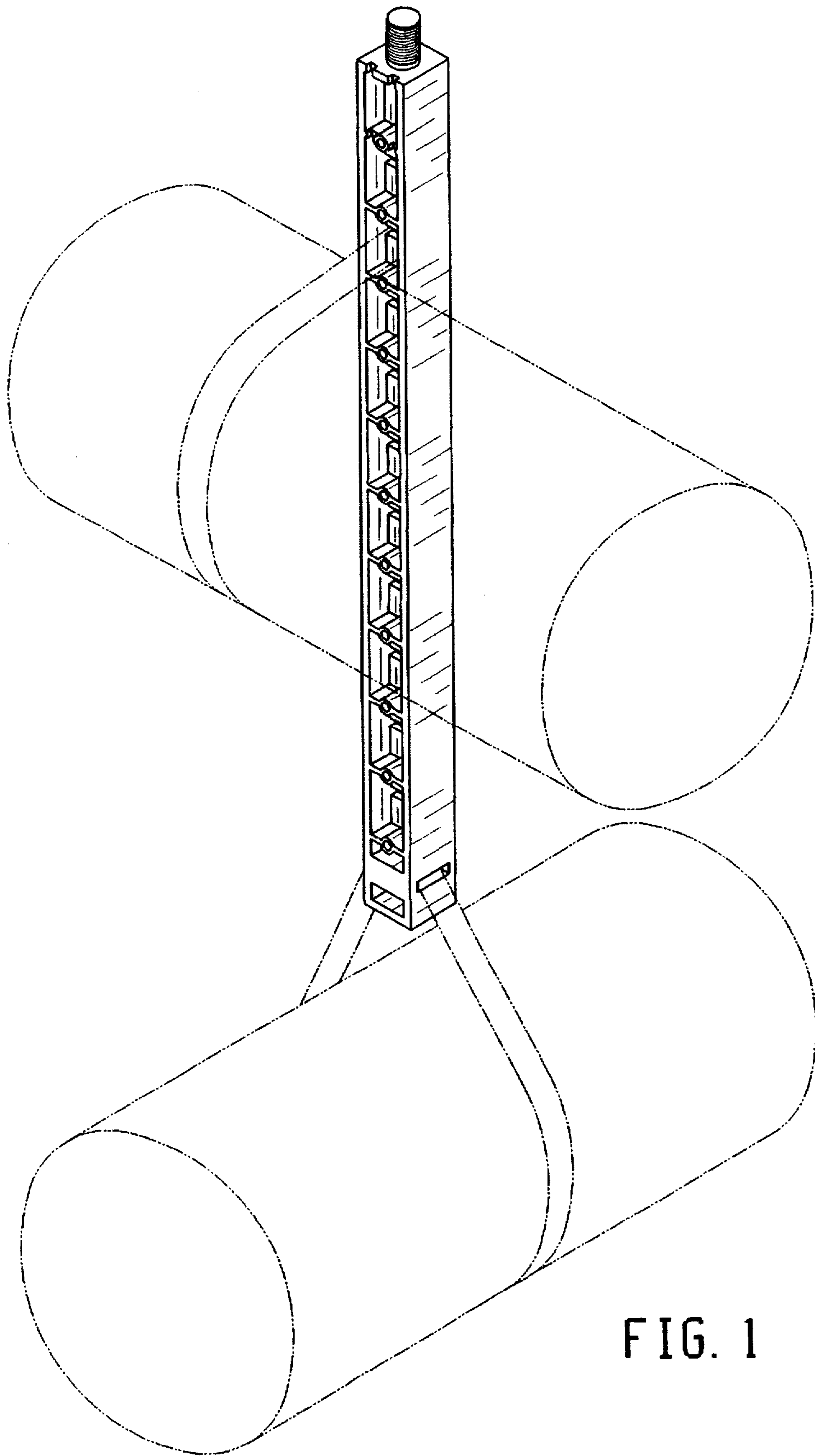


FIG. 1

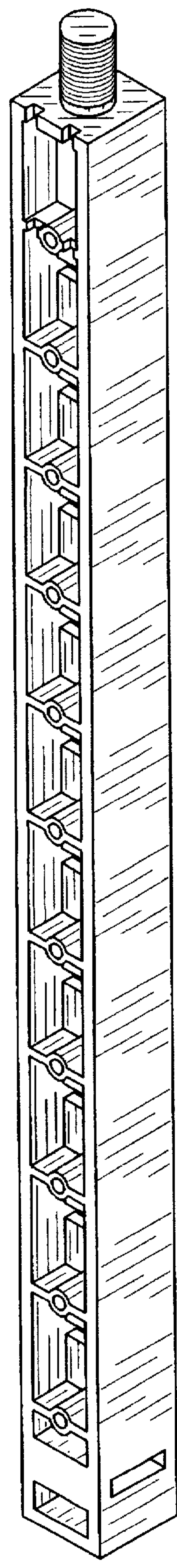


FIG. 2

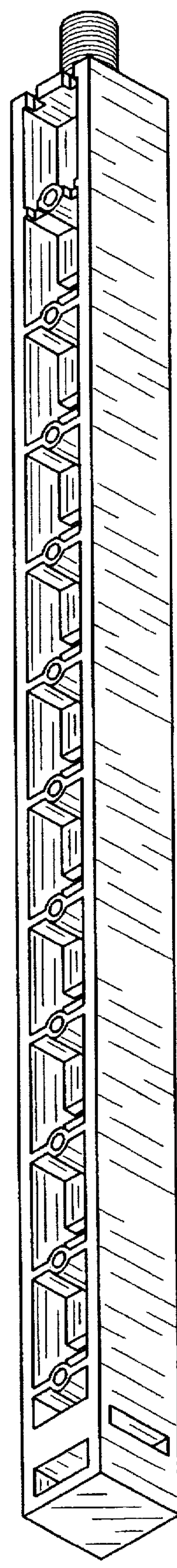


FIG. 3



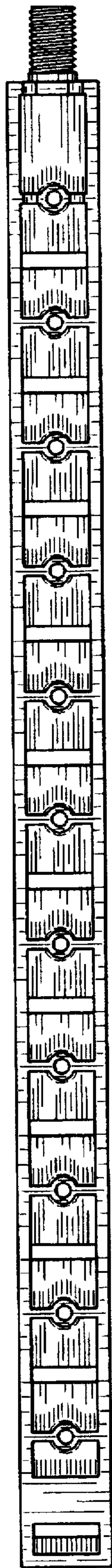


FIG. 4

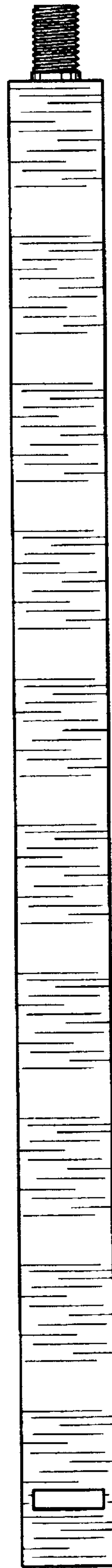


FIG. 5

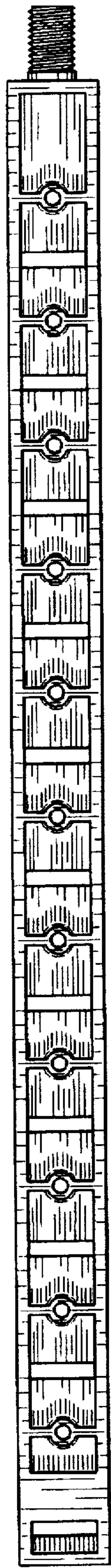


FIG. 6



FIG. 8

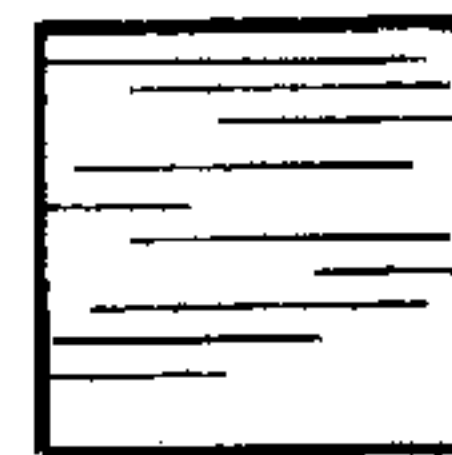


FIG. 7

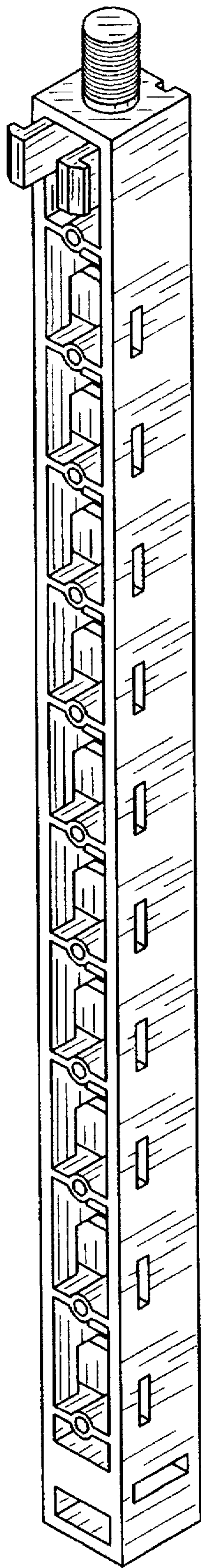


FIG. 9



FIG. 10



FIG. 11

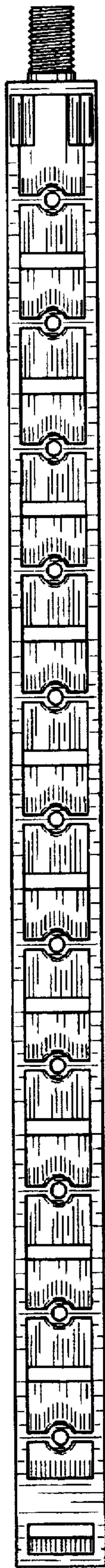


FIG. 12

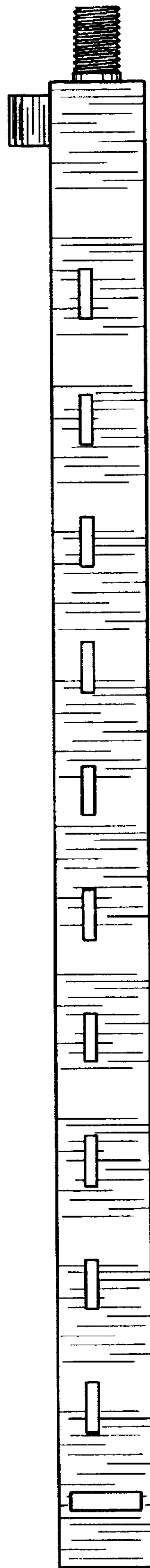


FIG. 13

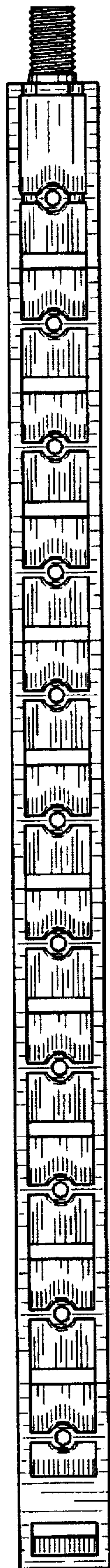


FIG. 14