



US00D390770S

# United States Patent [19]

Burnley

[11] Patent Number: **Des. 390,770**

[45] Date of Patent: **\*\*Feb. 17, 1998**

[54] **FLUSH LATCH**

[76] Inventor: **Michael Burnley**, 58 Prince Alfred Parade, Newport N.S.W. 2106, Australia

[\*\*] Term: **14 Years**

[21] Appl. No.: **66,007**

[22] Filed: **Feb. 6, 1997**

[51] LOC (6) Cl. .... **08-07**

[52] U.S. Cl. .... **D8/331**

[58] Field of Search ..... D8/330, 331, 336, D8/338, 341; 292/DIG. 30, DIG. 31, 337; 70/91, 97, 99, 208

[56] **References Cited**

**U.S. PATENT DOCUMENTS**

- D. 210,153 2/1968 Pastva, Jr. .... D8/341
- D. 271,562 11/1983 Weinerman ..... D8/338
- D. 303,621 9/1989 Russell et al. .... D8/331 X
- D. 317,398 6/1991 Hansen et al. .... D8/336

- D. 324,636 3/1992 Schlack et al. .... D8/341 X
- D. 328,231 7/1992 Hansen ..... D8/338 X

*Primary Examiner*—Brian N. Vinson  
*Attorney, Agent, or Firm*—Cohen, Pontani, Lieberman, Pavane

[57] **CLAIM**

The ornamental design for a flush latch, as shown and described.

**DESCRIPTION**

FIG. 1 is a perspective view of a flush latch showing my new design;

FIG. 2 is a top plan view thereof;

FIG. 3 is a bottom plan view thereof;

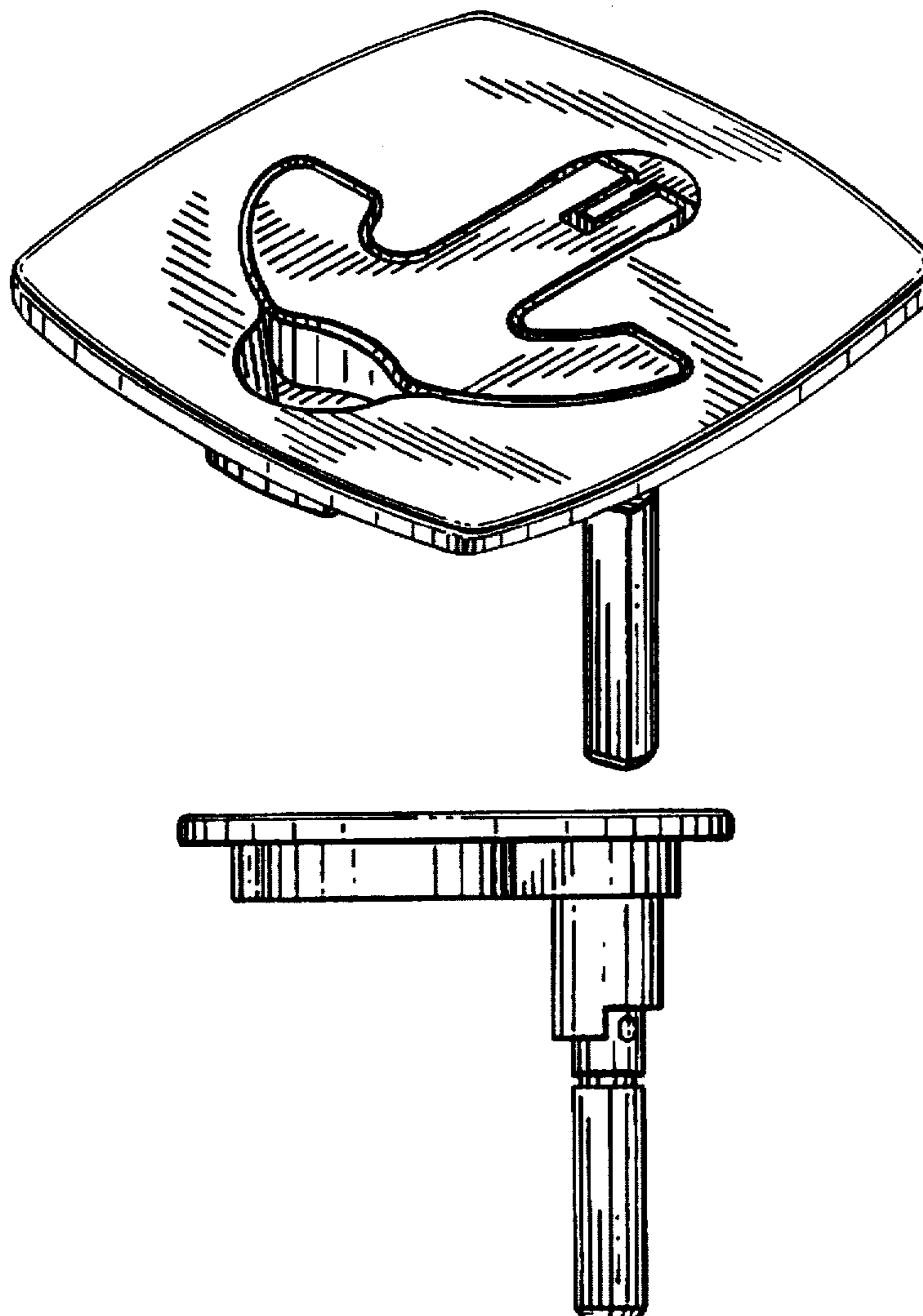
FIG. 4 is a front elevational view thereof;

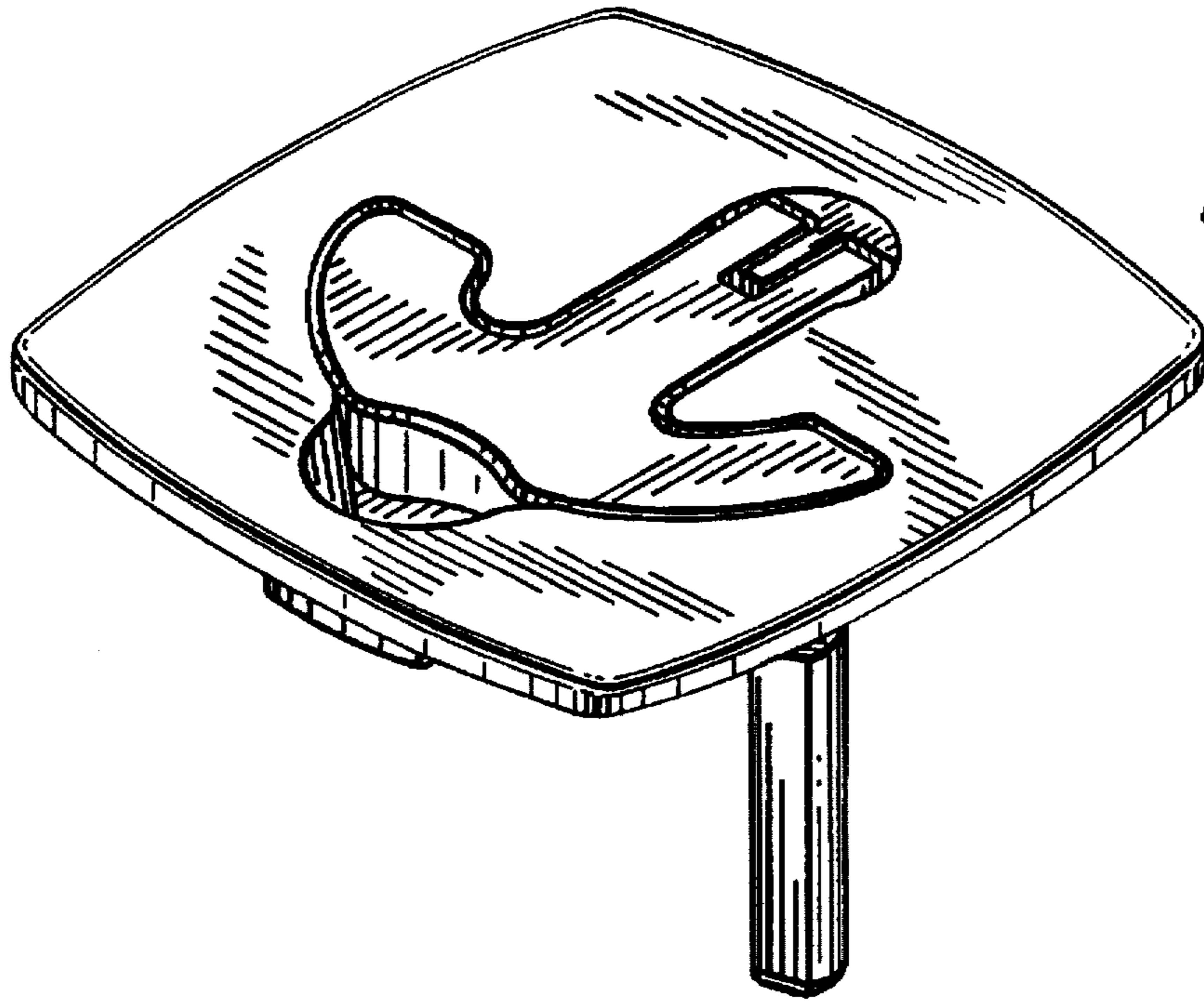
FIG. 5 is a right-side elevational view thereof;

FIG. 6 is a rear elevational view thereof; and,

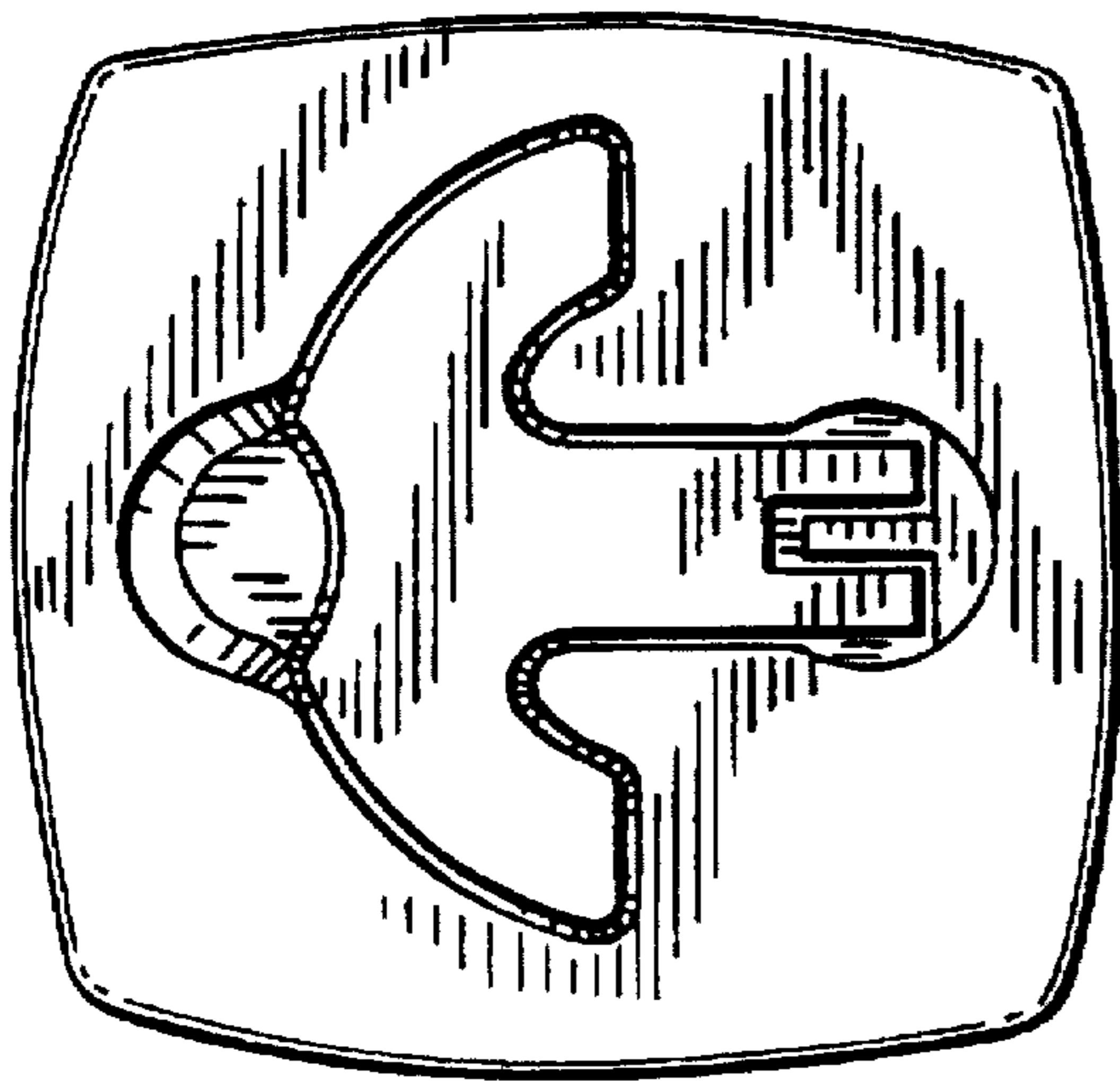
FIG. 7 is an inverted left-side elevational view thereof.

**1 Claim, 2 Drawing Sheets**



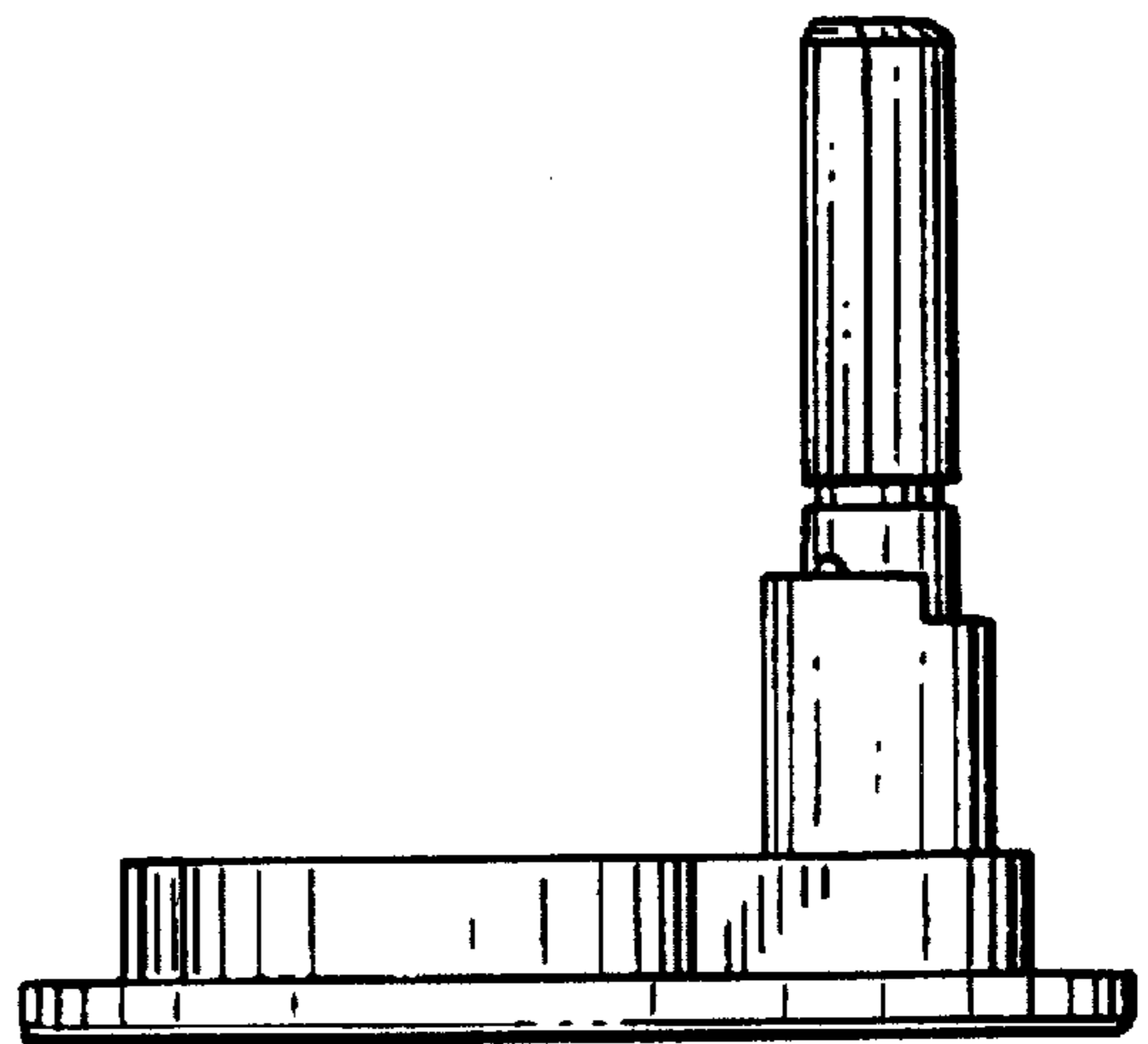


*FIG. 1*



*FIG. 2*

*FIG. 7*



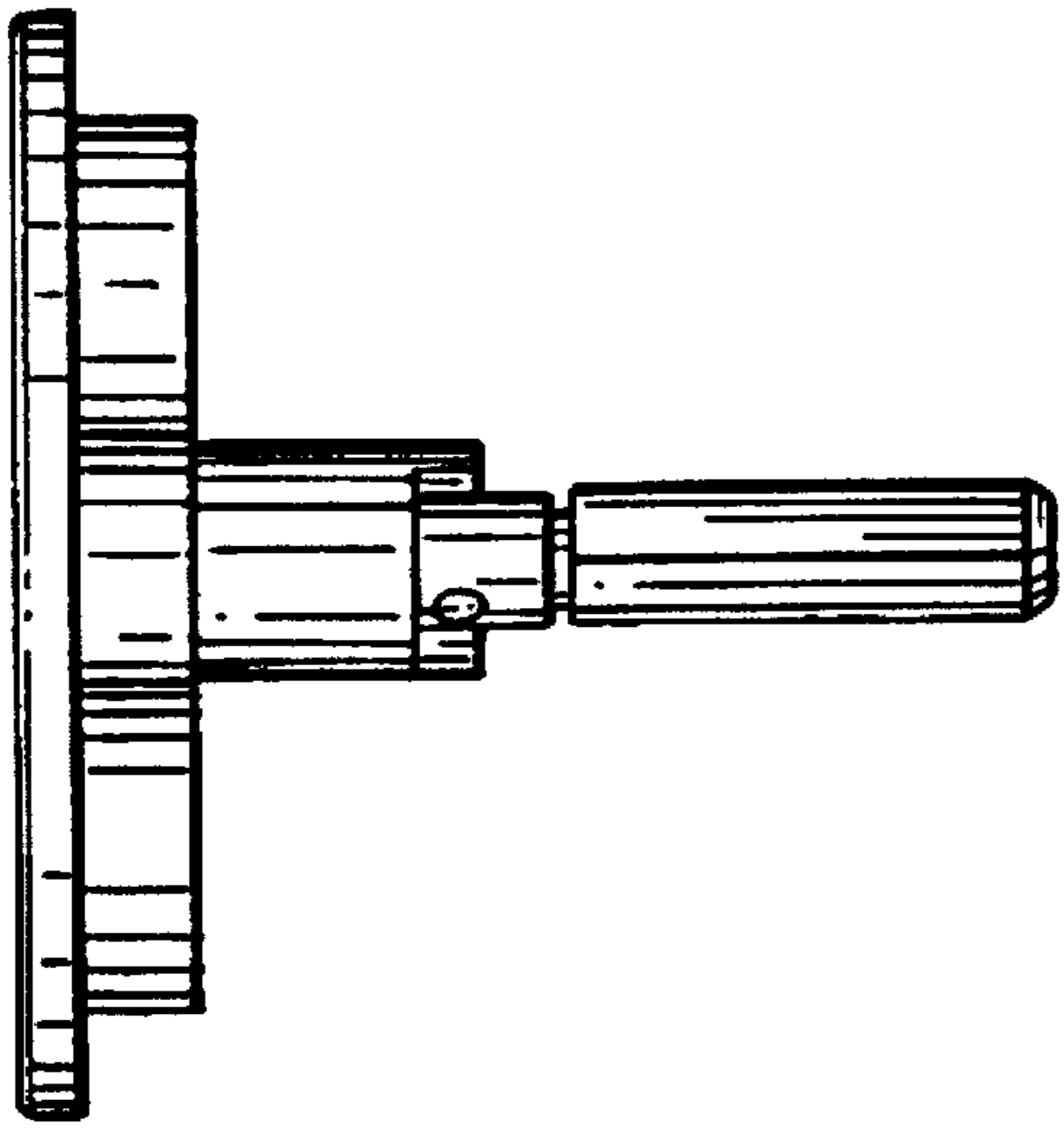


FIG. 6

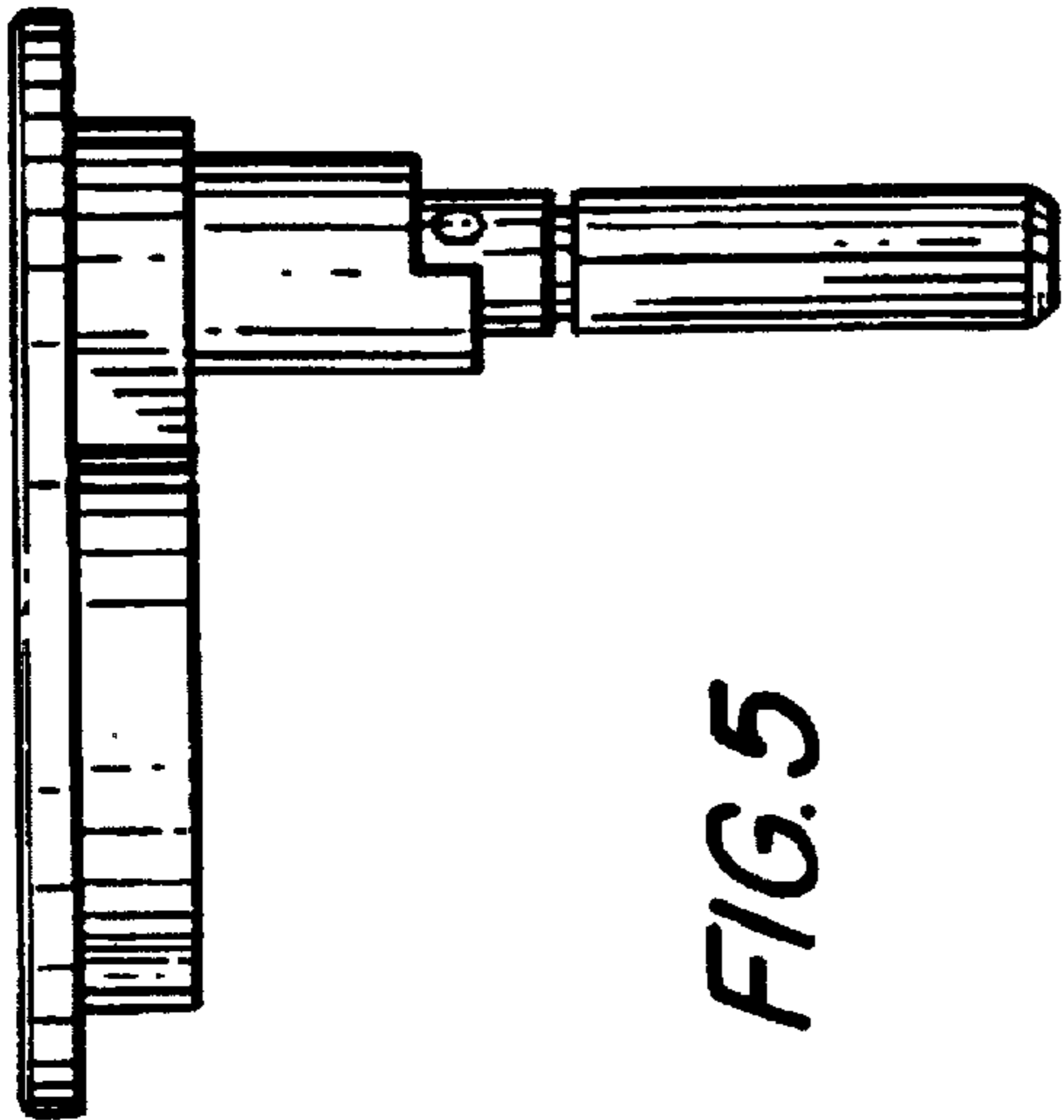


FIG. 5

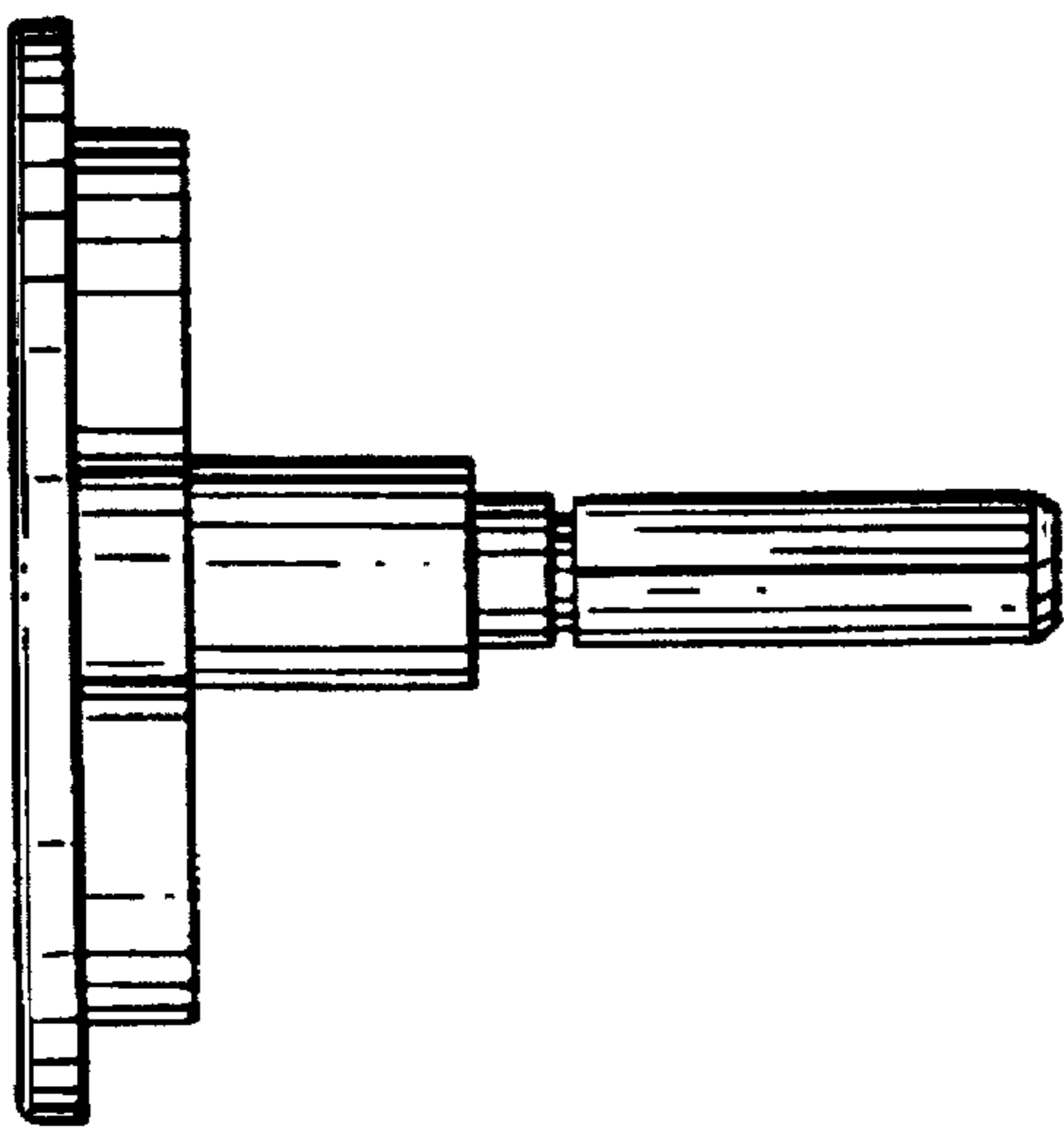


FIG. 4

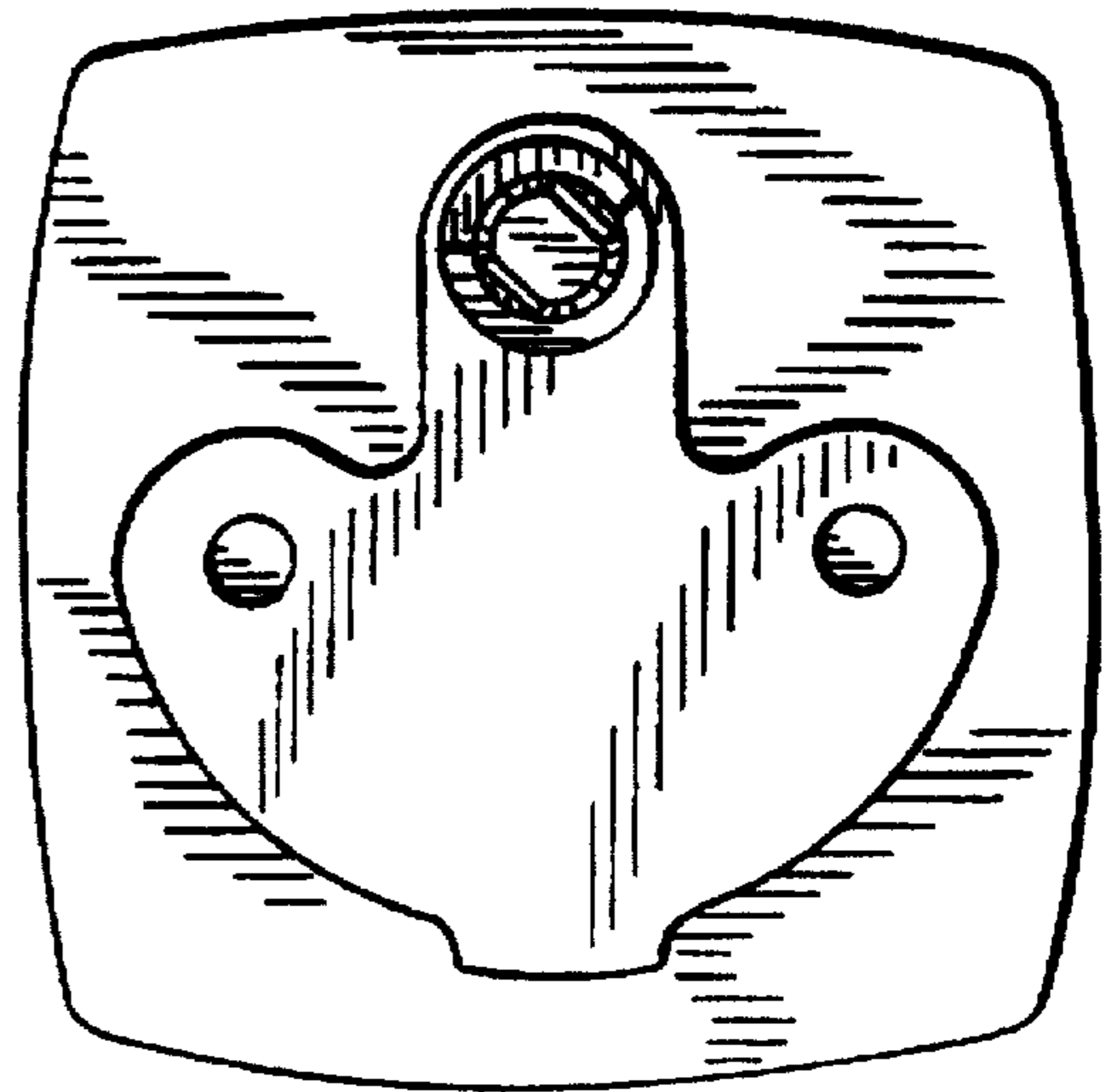


FIG. 3