



US00D390766S

United States Patent [19]

[11] Patent Number: Des. 390,766

Price et al.

[45] Date of Patent: **Feb. 17, 1998

[54] HANDLE FOR A SLIDING COMPOUND MITER SAW

Primary Examiner—Antoine Duval Davis
Attorney, Agent, or Firm—Harness, Dickey & Pierce, P.L.C.

[75] Inventors: Scott Price, Singapore, Singapore;
Thomas R. Kaye, Jr., Bel Air; Robert P. Welsh, Hunt Valley, both of Md.

[57] CLAIM

The ornamental design for a handle for a sliding compound miter saw, as shown and described.

[73] Assignee: Black & Decker Inc., Newark, Del.

DESCRIPTION

[**] Term: 14 Years

[21] Appl. No.: 69,817

FIG. 1 is a perspective view of the design for a handle for a sliding compound miter saw showing our new design;

[22] Filed: Apr. 17, 1997

FIG. 2 is a front elevational view thereof;

[51] LOC (6) Cl. 08-04

FIG. 3 is a top plan view thereof;

[52] U.S. Cl. D8/87; D15/133

FIG. 4 is a right side elevational view thereof;

[58] Field of Search D8/87, 107; D15/133;
30/514, 517, 518, 520, 521-525, 166.3

FIG. 5 is a rear elevational thereof; and,

FIG. 6 is a bottom plan view thereof.

The broken line showing is for illustrative purposes only and forms no part of the claimed design.

[56] References Cited

U.S. PATENT DOCUMENTS

- D. 333,825 3/1993 Price D15/142
- D. 346,173 4/1994 Price .

1 Claim, 2 Drawing Sheets

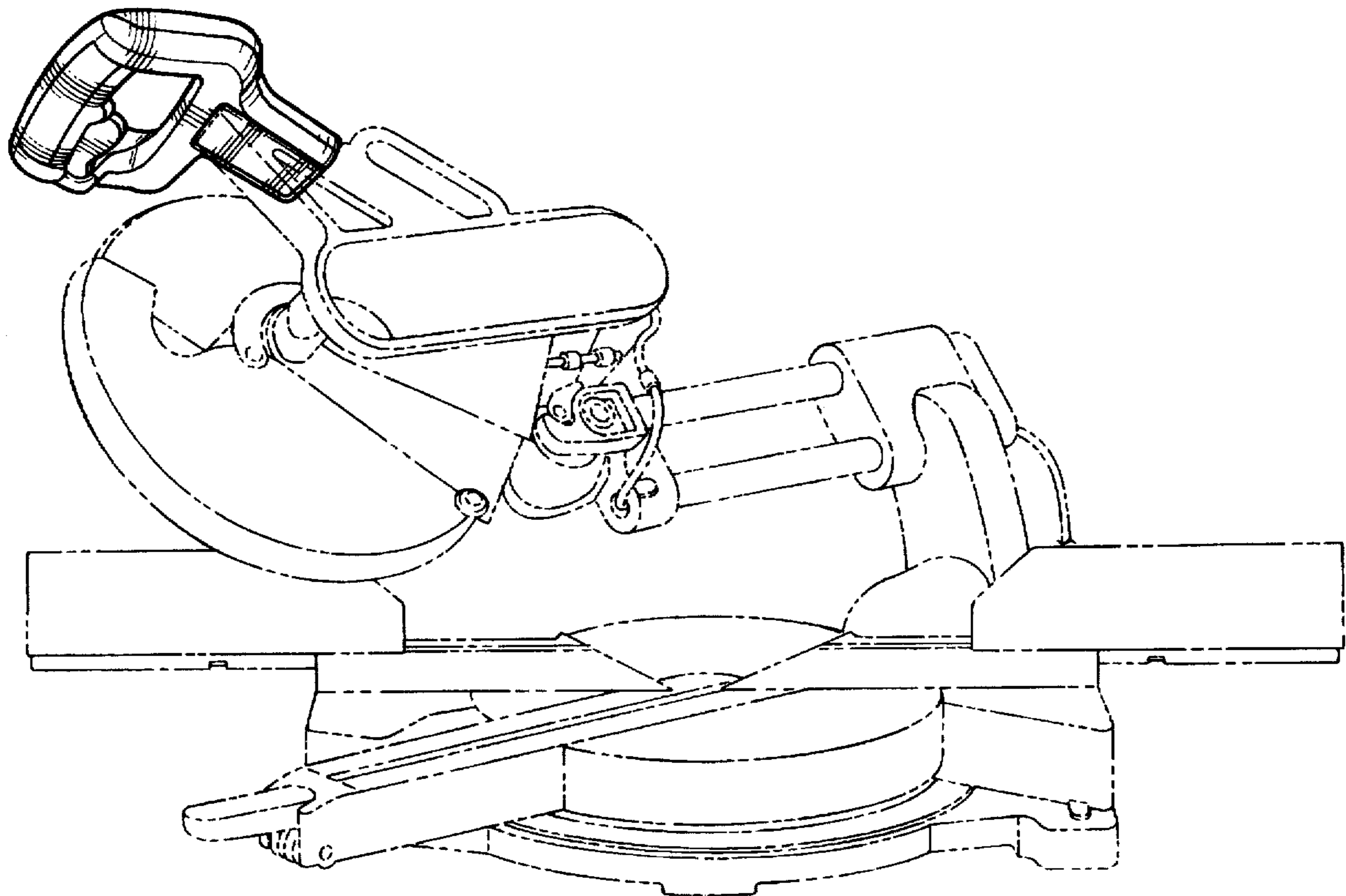
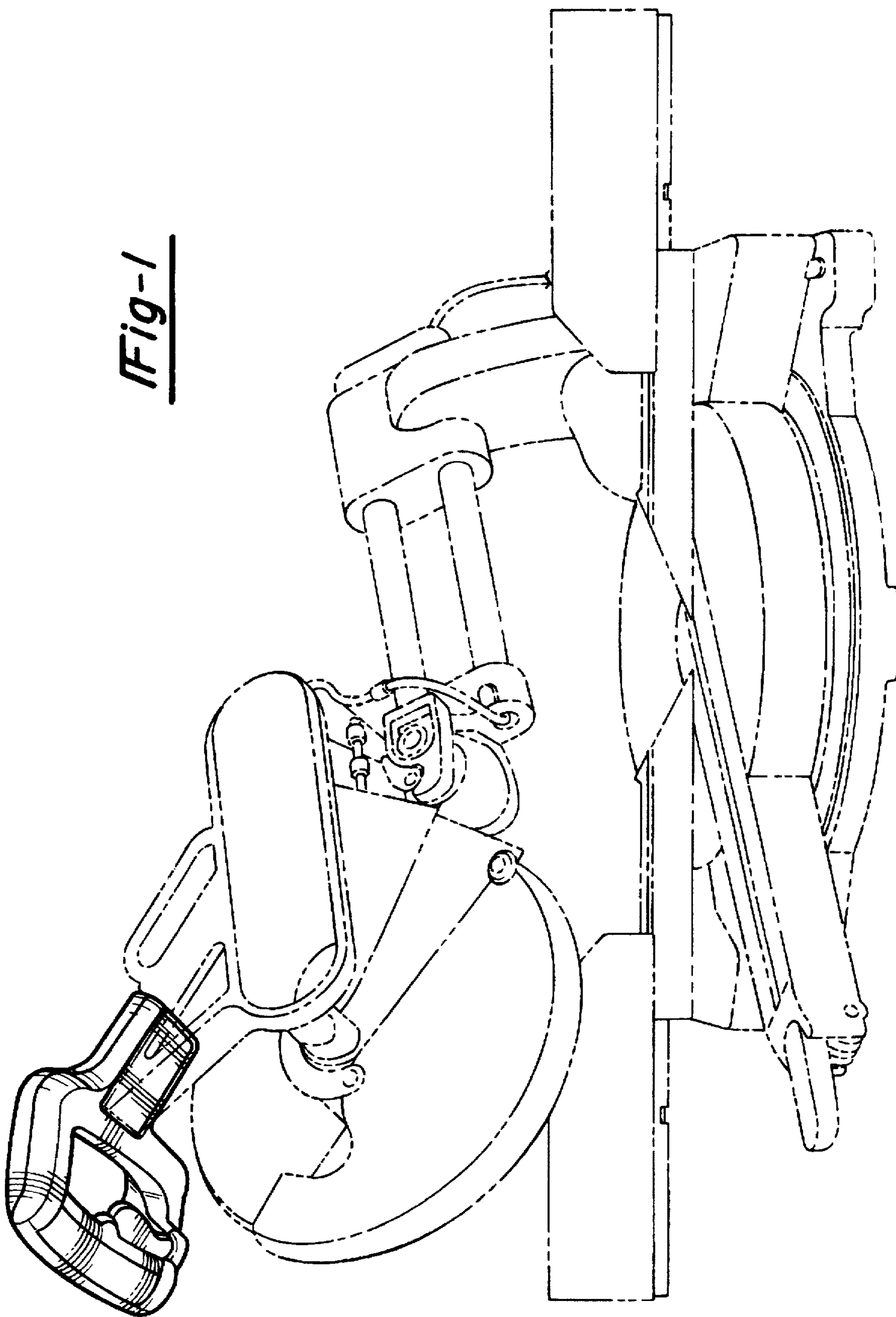


Fig-1



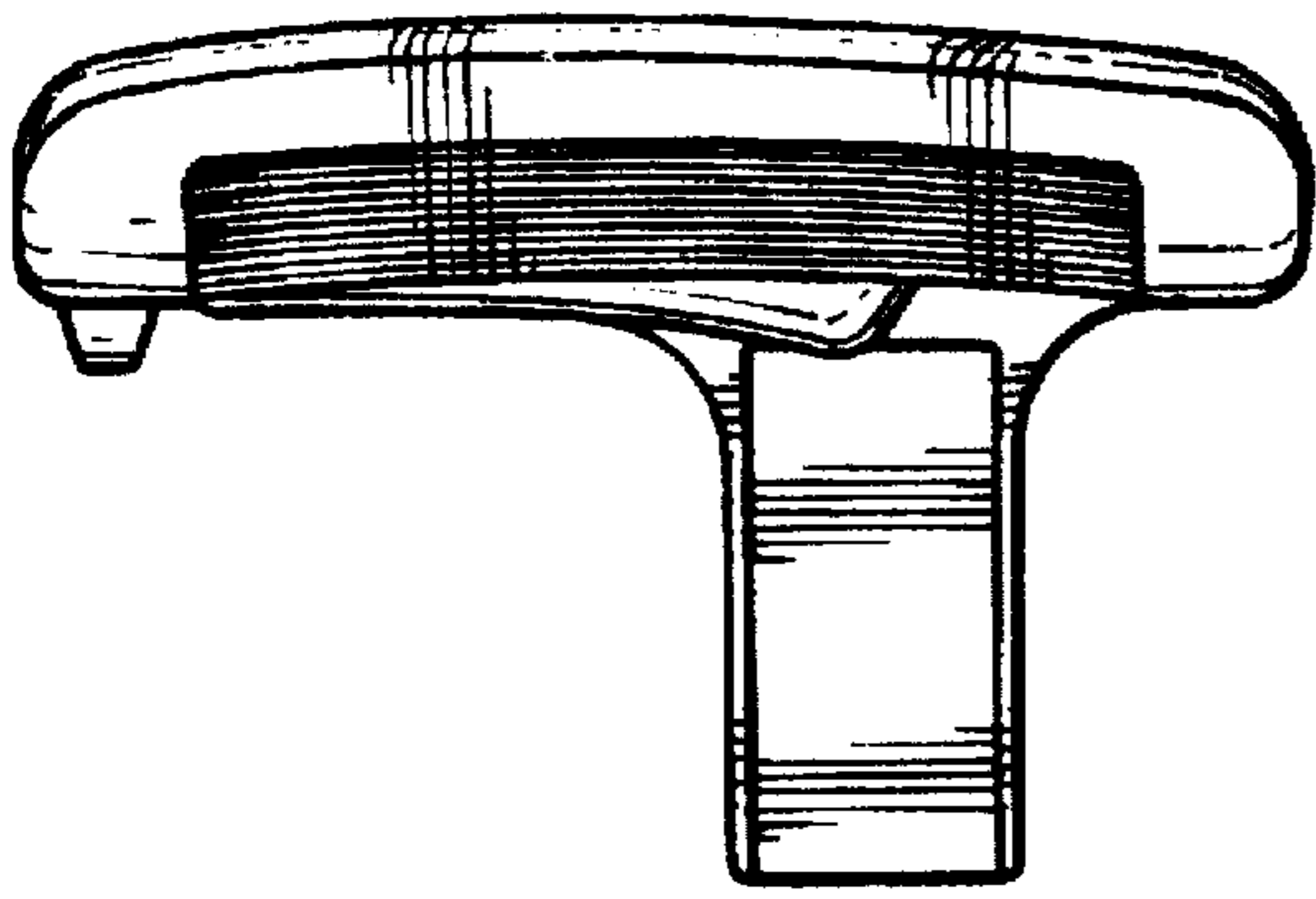


Fig-2

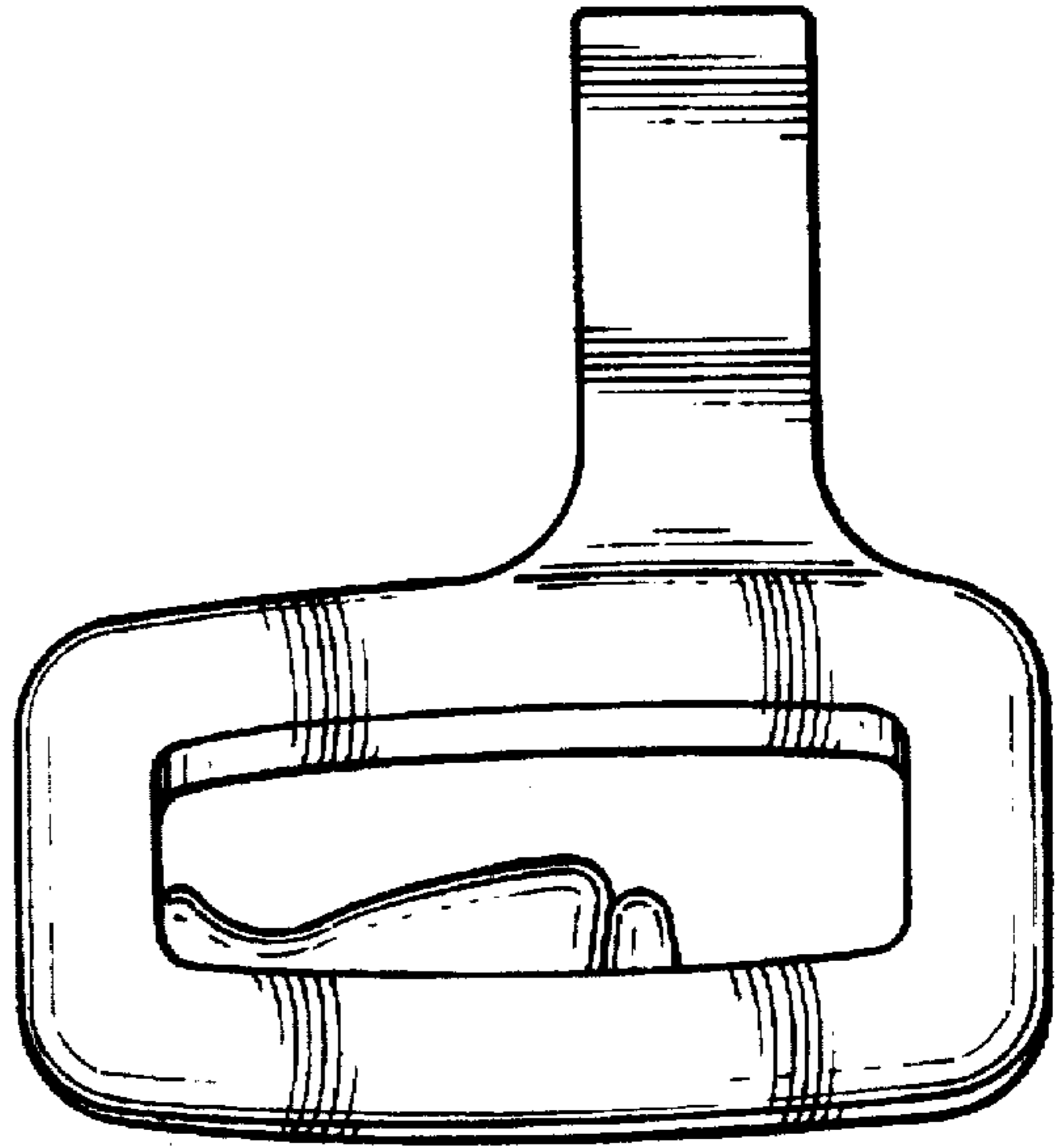


Fig-3

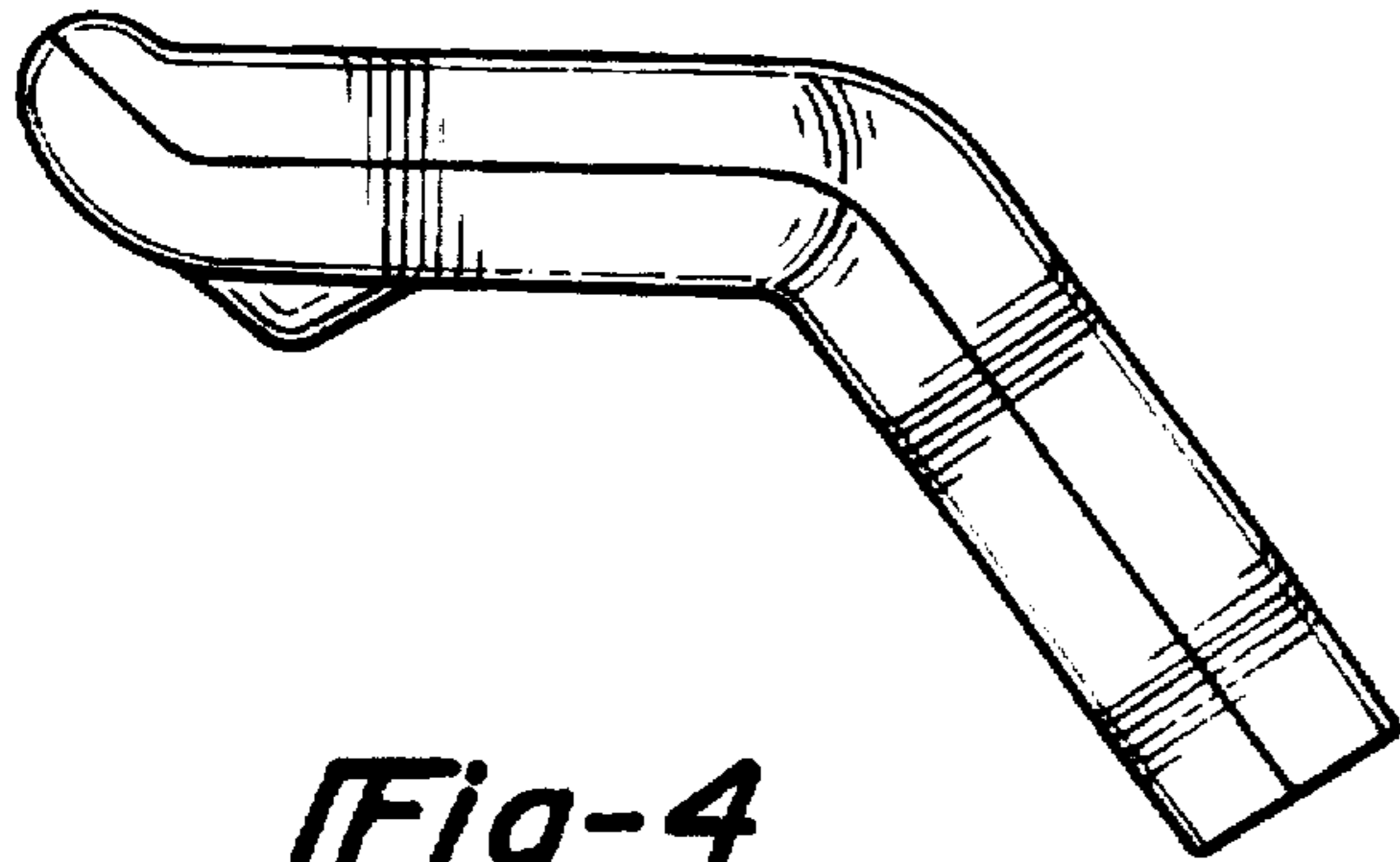


Fig-4

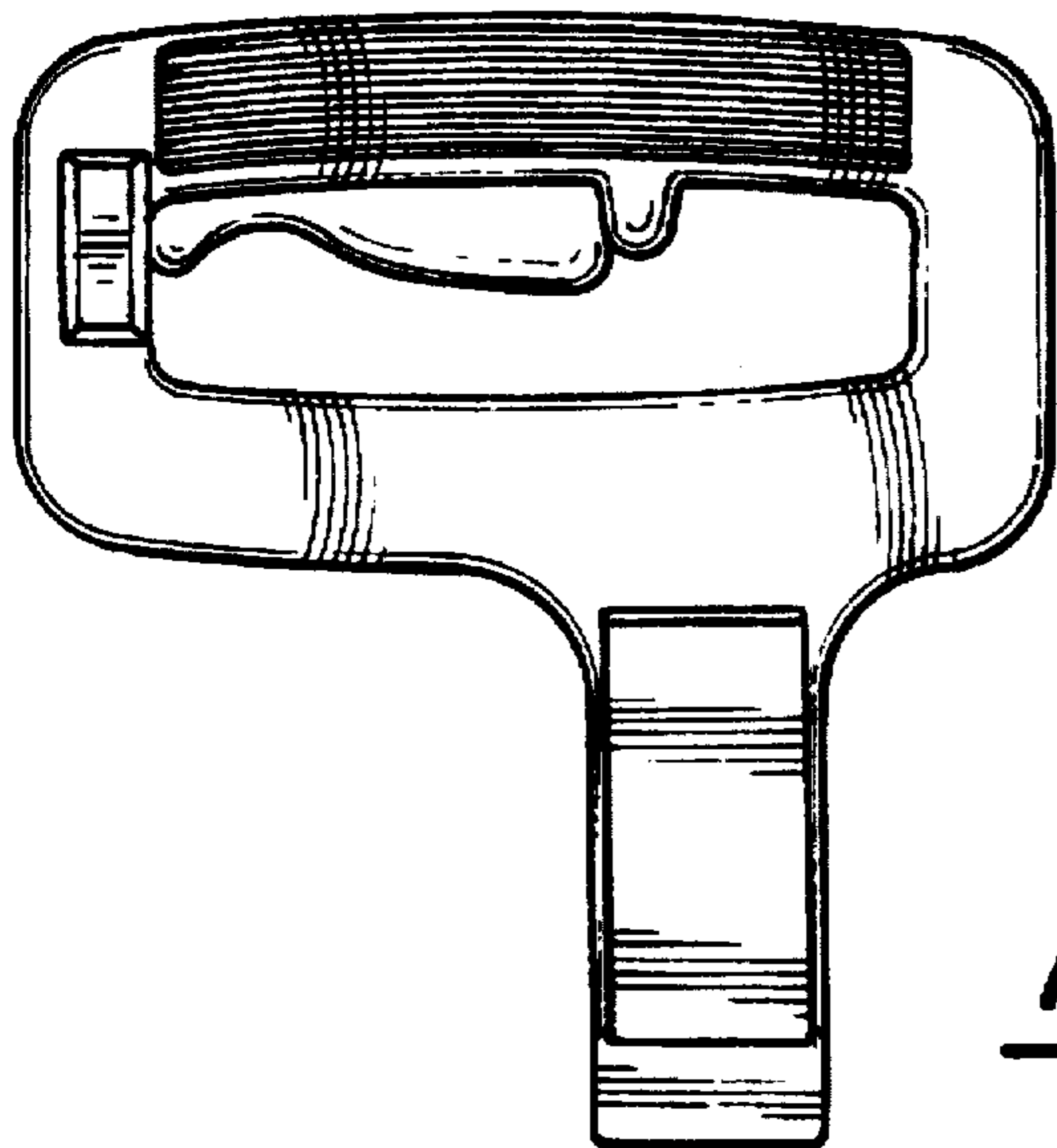


Fig-6

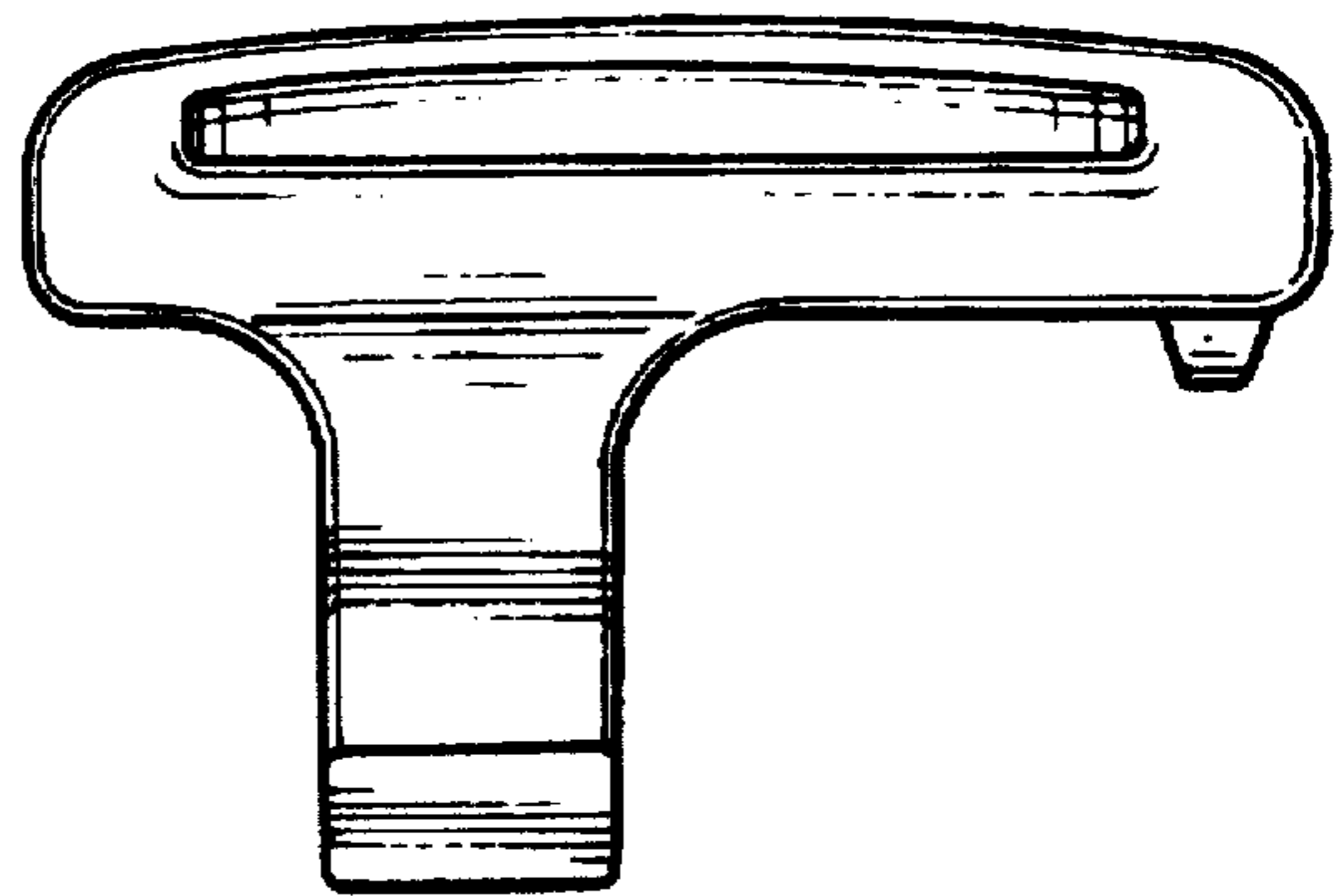


Fig-5