



US00D390765S

United States Patent [19]

[11] Patent Number: Des. 390,765

Sartler

[45] Date of Patent: **Feb. 17, 1998

[54] TROWEL RING GUARD FOR A CONCRETE FINISHING MACHINE

[75] Inventor: Ronald R. Sartler, West Bend, Wis.

[73] Assignee: Wacker Corporation, Menomonee Falls, Wis.

[**] Term: 14 Years

[21] Appl. No.: 64,727

[22] Filed: Jan. 9, 1997

[51] LOC (6) Cl. 08-01

[52] U.S. Cl. D8/70

[58] Field of Search D8/70; 30/276; 83/478, DIG. 1, 860; 56/320.1, DIG. 20, DIG. 24; 404/85, 97, 112

[56] References Cited

U.S. PATENT DOCUMENTS

4,331,297	5/1982	Gipson	404/112 X
4,629,359	12/1986	Sengupta	404/112
5,372,452	12/1994	Hodgson	404/112
5,405,216	4/1995	Allen et al.	404/112

OTHER PUBLICATIONS

Wacker Corporation; Brochure; Concrete Power Trowels; Jan., 1996.

Primary Examiner—Antone Duval Davis
Attorney, Agent, or Firm—Nilles & Nilles, S.C.

[57] CLAIM

The ornamental design for a trowel ring guard for a concrete finishing machine, as shown and described.

DESCRIPTION

FIG. 1 is a left-side elevation view of a trowel ring guard for

a concrete finishing machine incorporating a first embodiment of my new design and also illustrating, in phantom lines, a concrete finishing machine which is usable with the trowel ring guard design of this embodiment and which does not per se form part of the claimed invention;

FIG. 2 is a top plan view of the trowel ring guard for a concrete finishing machine of FIG. 1;

FIG. 3 is a bottom plan view of the trowel ring guard for a concrete finishing machine of FIG. 1;

FIG. 4 is a left-side elevation view of the trowel ring guard for a concrete finishing machine of FIG. 1;

FIG. 5 is a right-side elevation view of the trowel ring guard for a concrete finishing machine of FIG. 1;

FIG. 6 is a rear-side elevation view of the trowel ring guard for a concrete finishing machine of FIG. 1;

FIG. 7 is a front-side elevation view of the trowel ring guard for a concrete finishing machine of FIG. 1;

FIG. 8 is a left-side elevation view of a trowel ring guard for a concrete finishing machine incorporating a second embodiment of my new design and also illustrating, in phantom lines, a concrete finishing machine which is usable with the trowel ring guard design of this embodiment and which does not per se form part of the claimed invention;

FIG. 9 is a top plan view of the trowel ring guard for a concrete finishing machine of FIG. 8;

FIG. 10 is a bottom plan view of the trowel ring guard for a concrete finishing machine of FIG. 8;

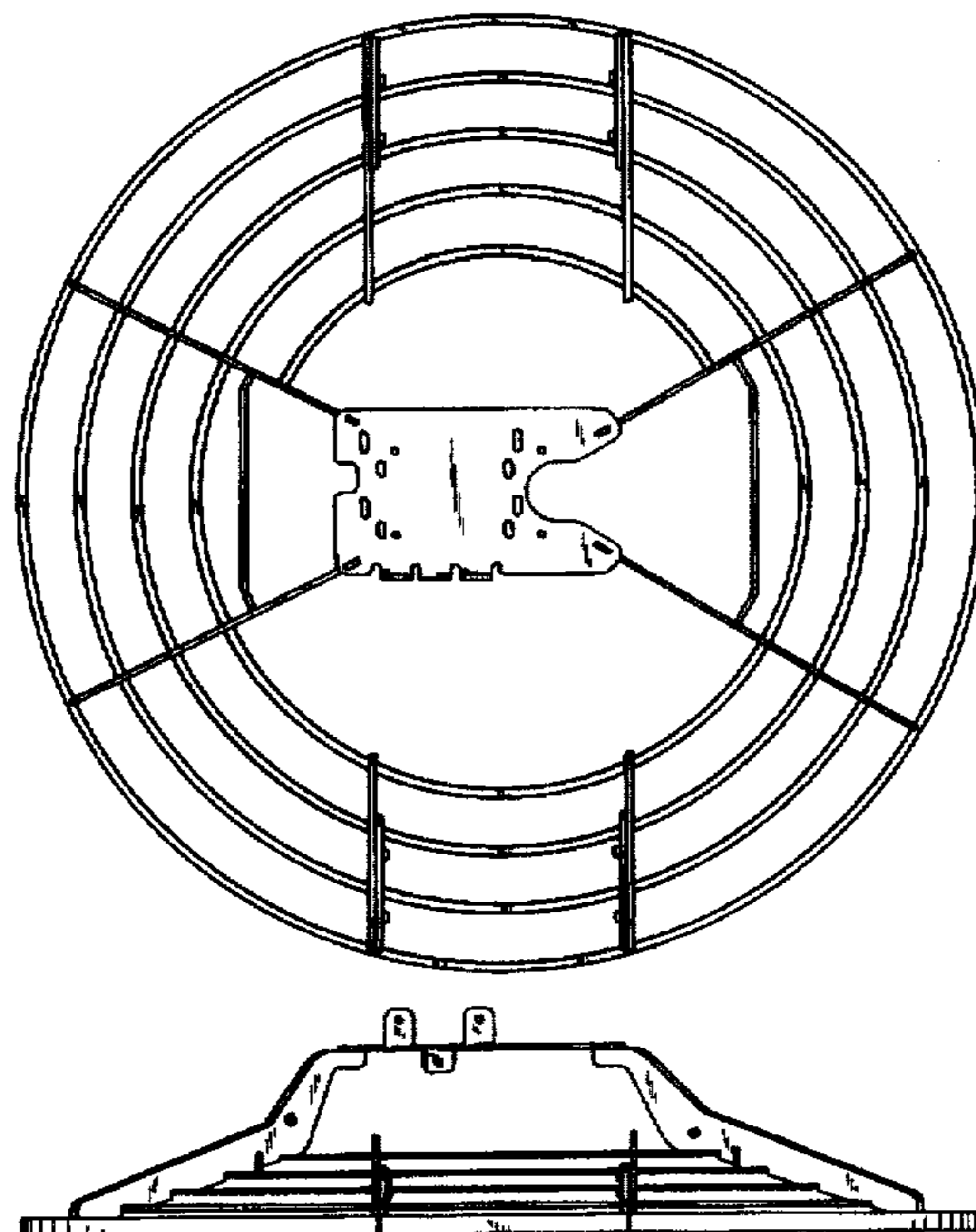
FIG. 11 is a left-side elevation view of the trowel ring guard for a concrete finishing machine of FIG. 8;

FIG. 12 is a right-side elevation view of the trowel ring guard for a concrete finishing machine of FIG. 8;

FIG. 13 is a rear-side elevation view of the trowel ring guard for a concrete finishing machine of FIG. 8; and,

FIG. 14 is a front-side elevation view of the trowel ring guard for a concrete finishing machine of FIG. 8.

1 Claim, 8 Drawing Sheets



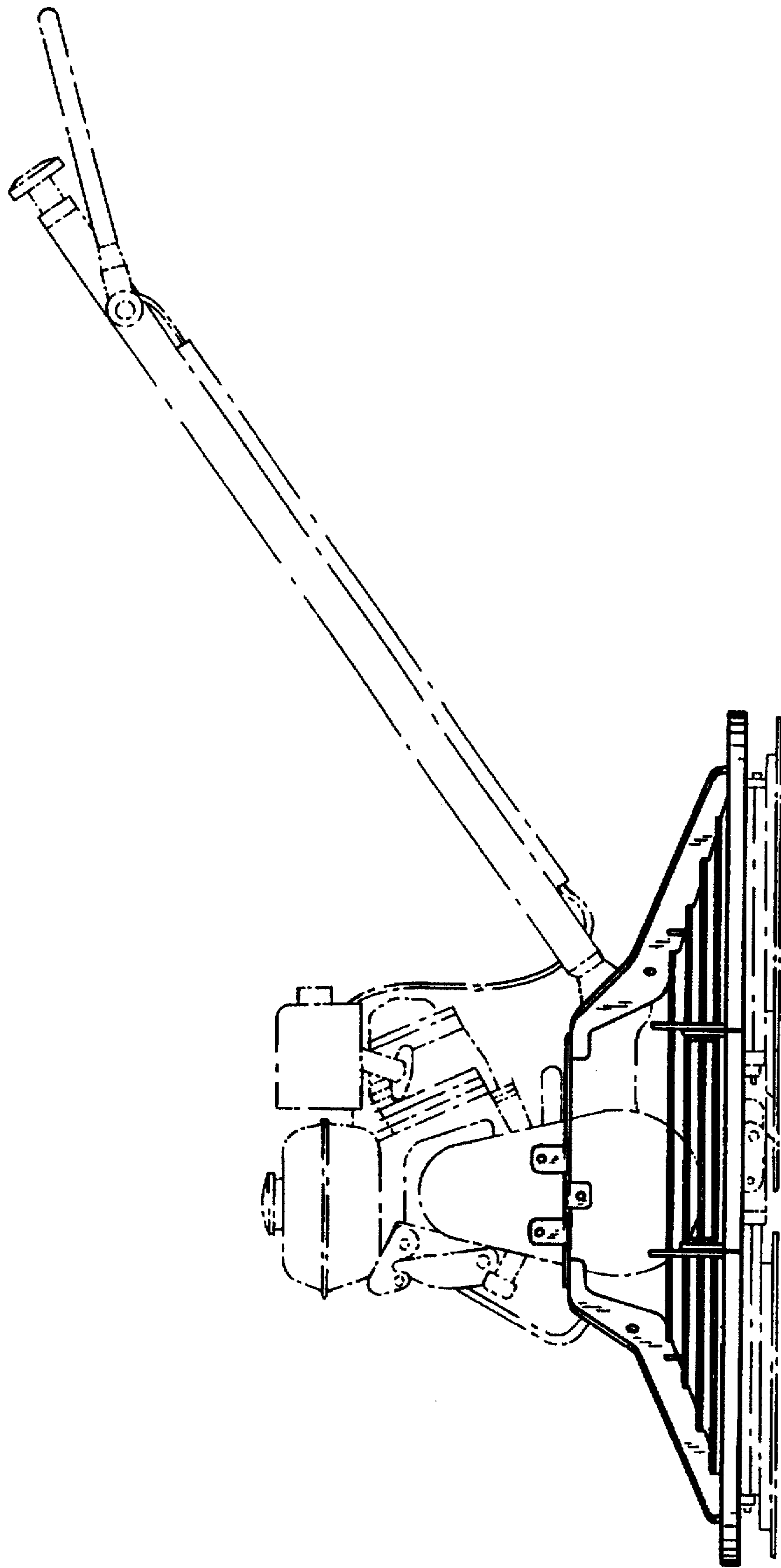


FIG. 1

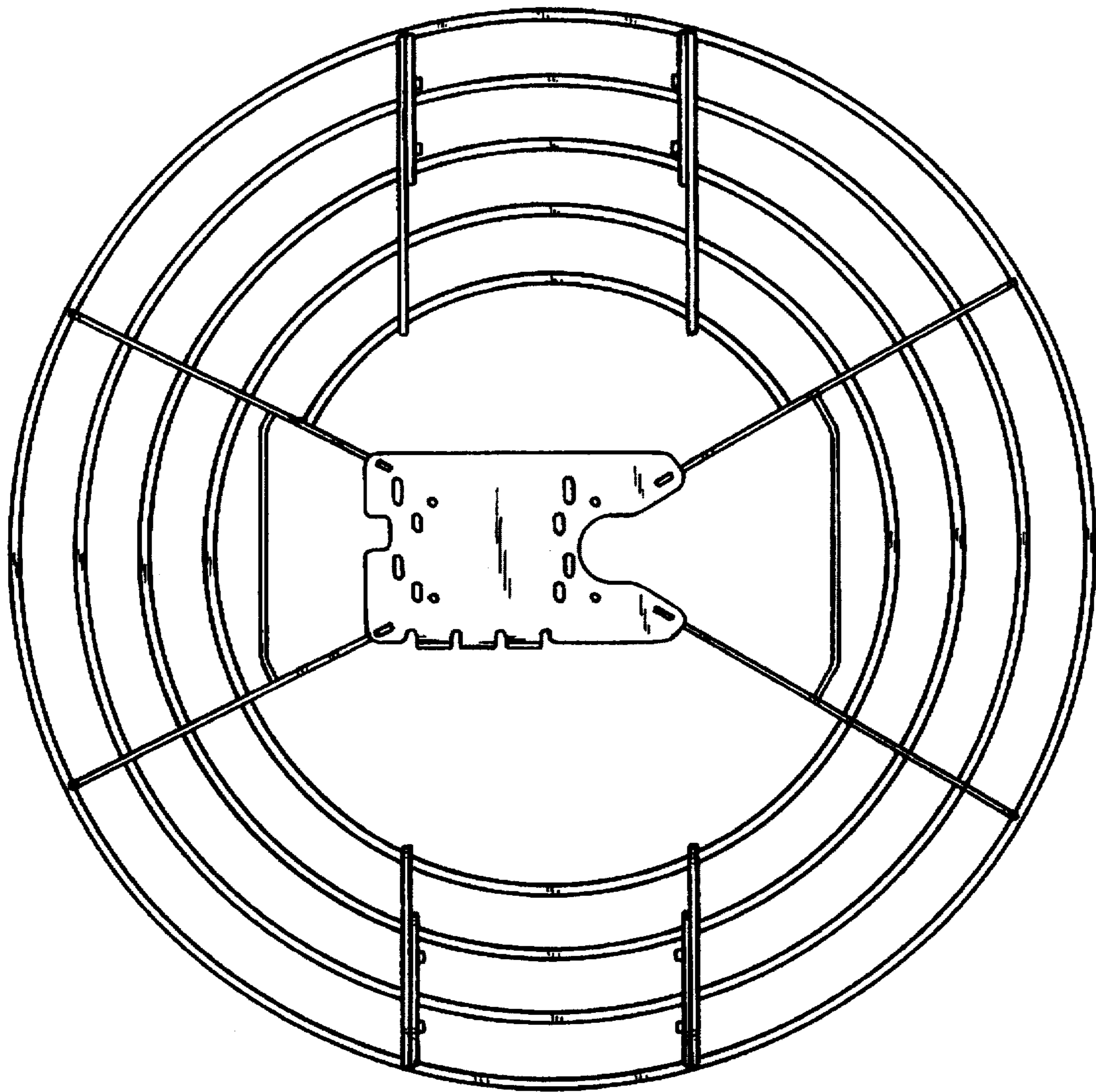


FIG. 2

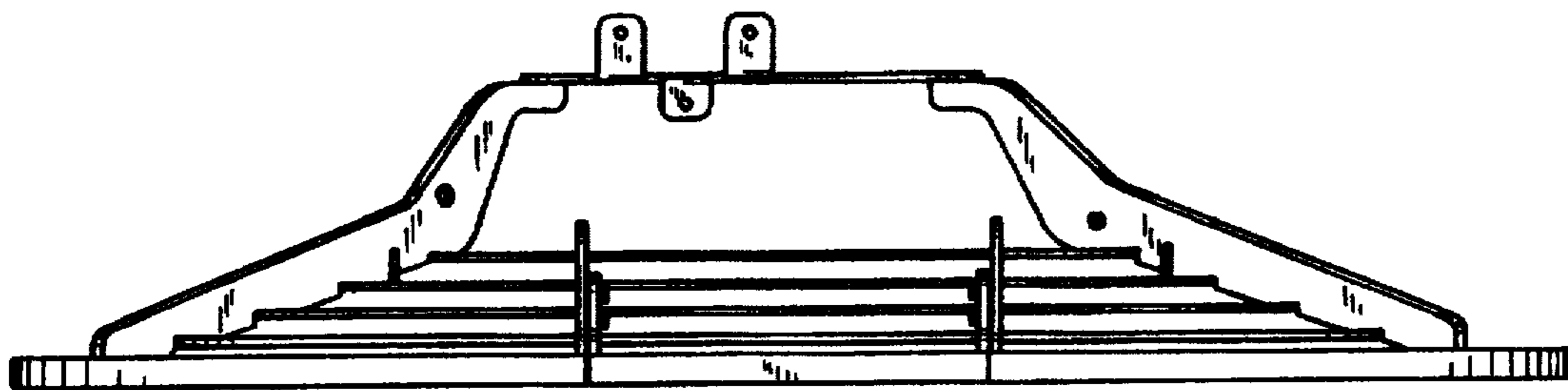


FIG. 4

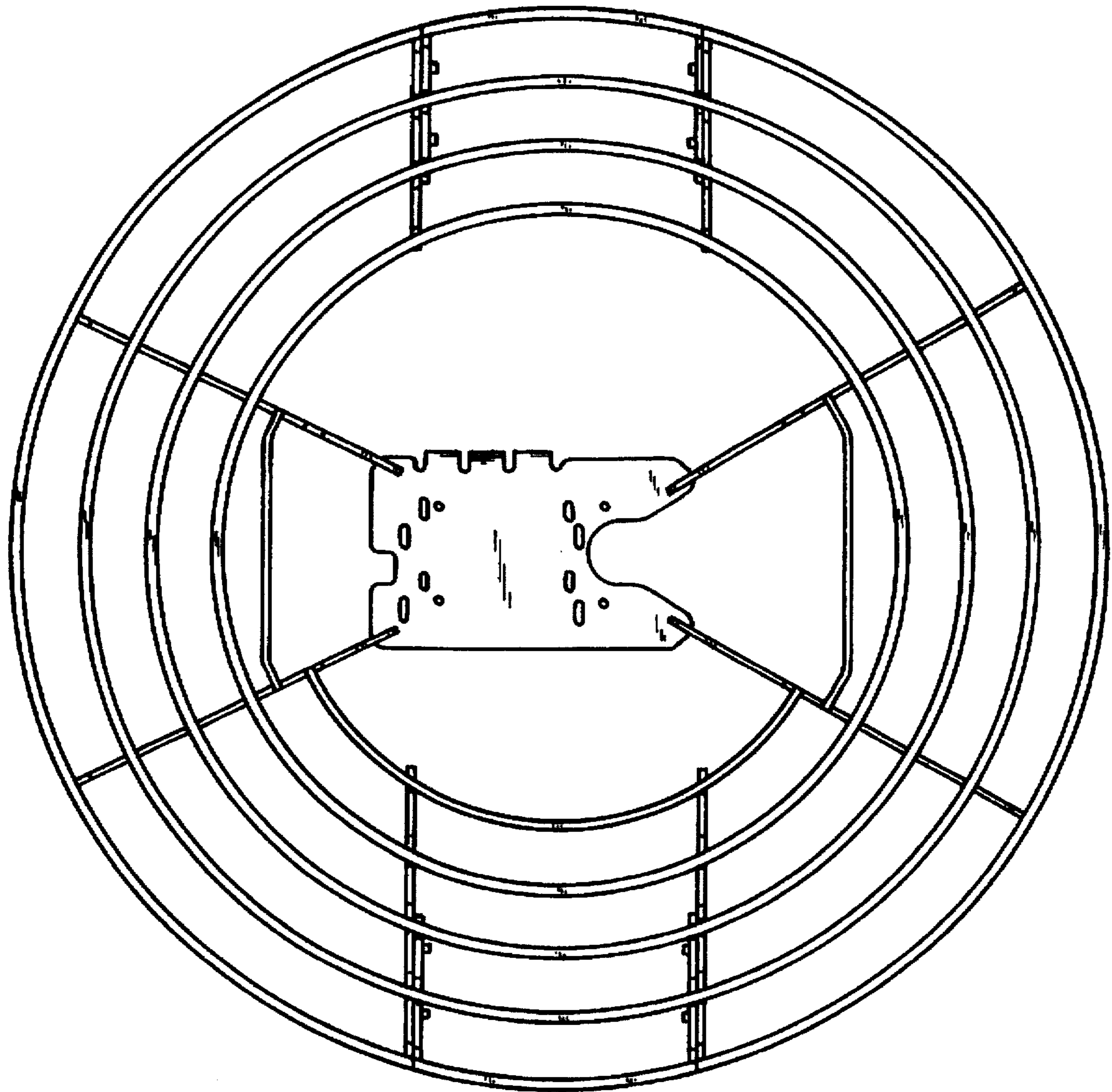


FIG. 3

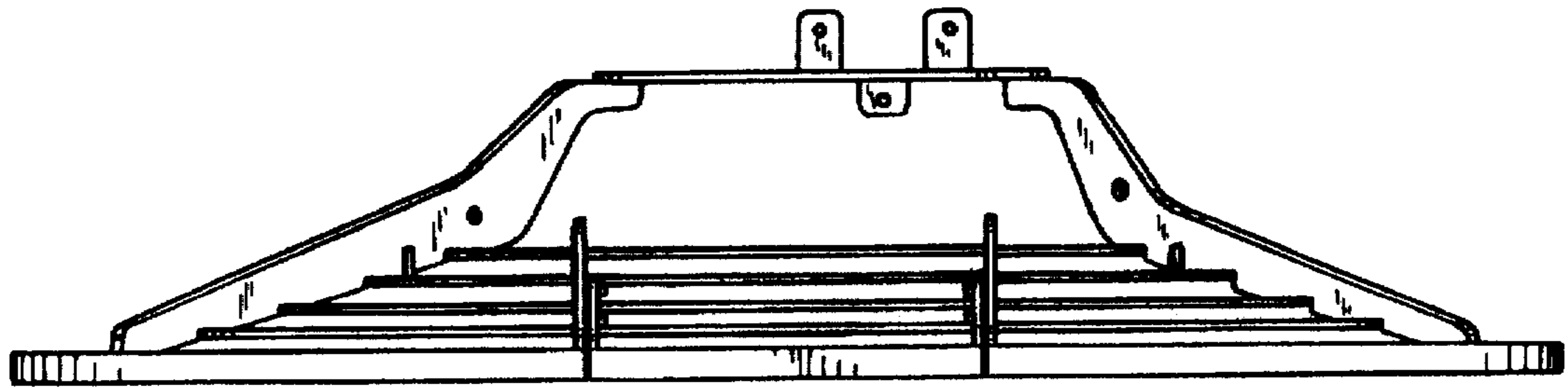


FIG. 5

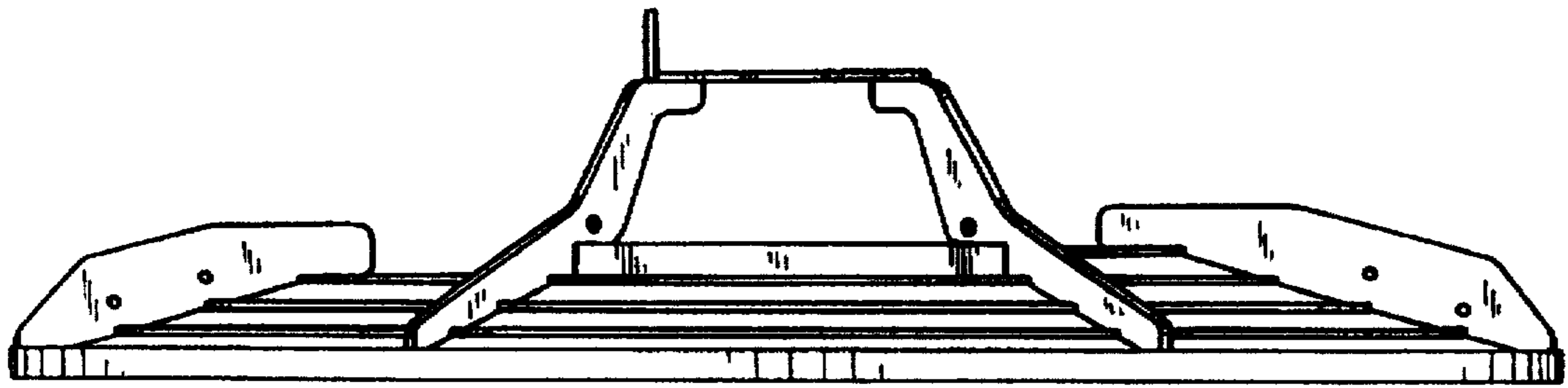


FIG. 6

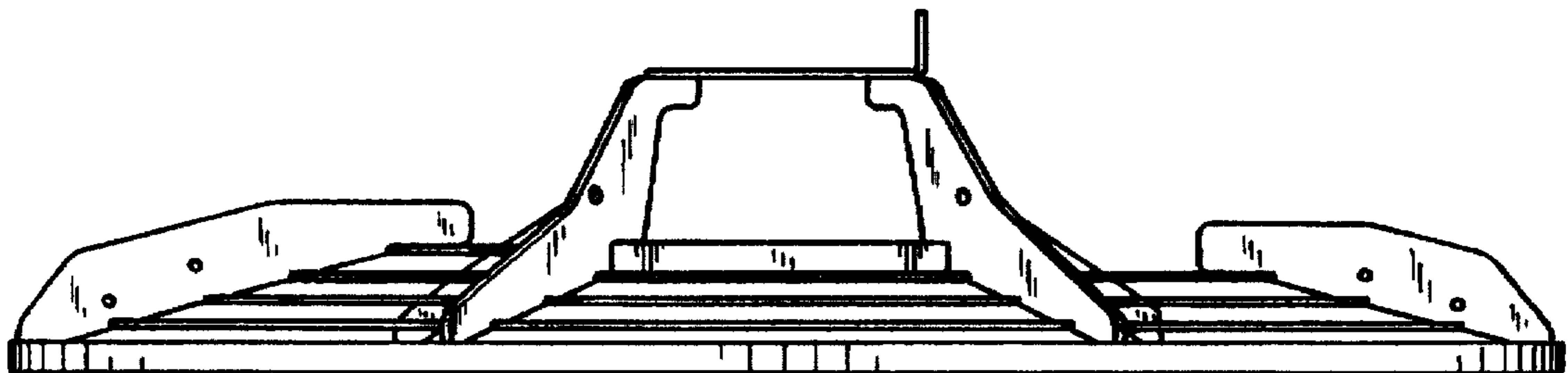
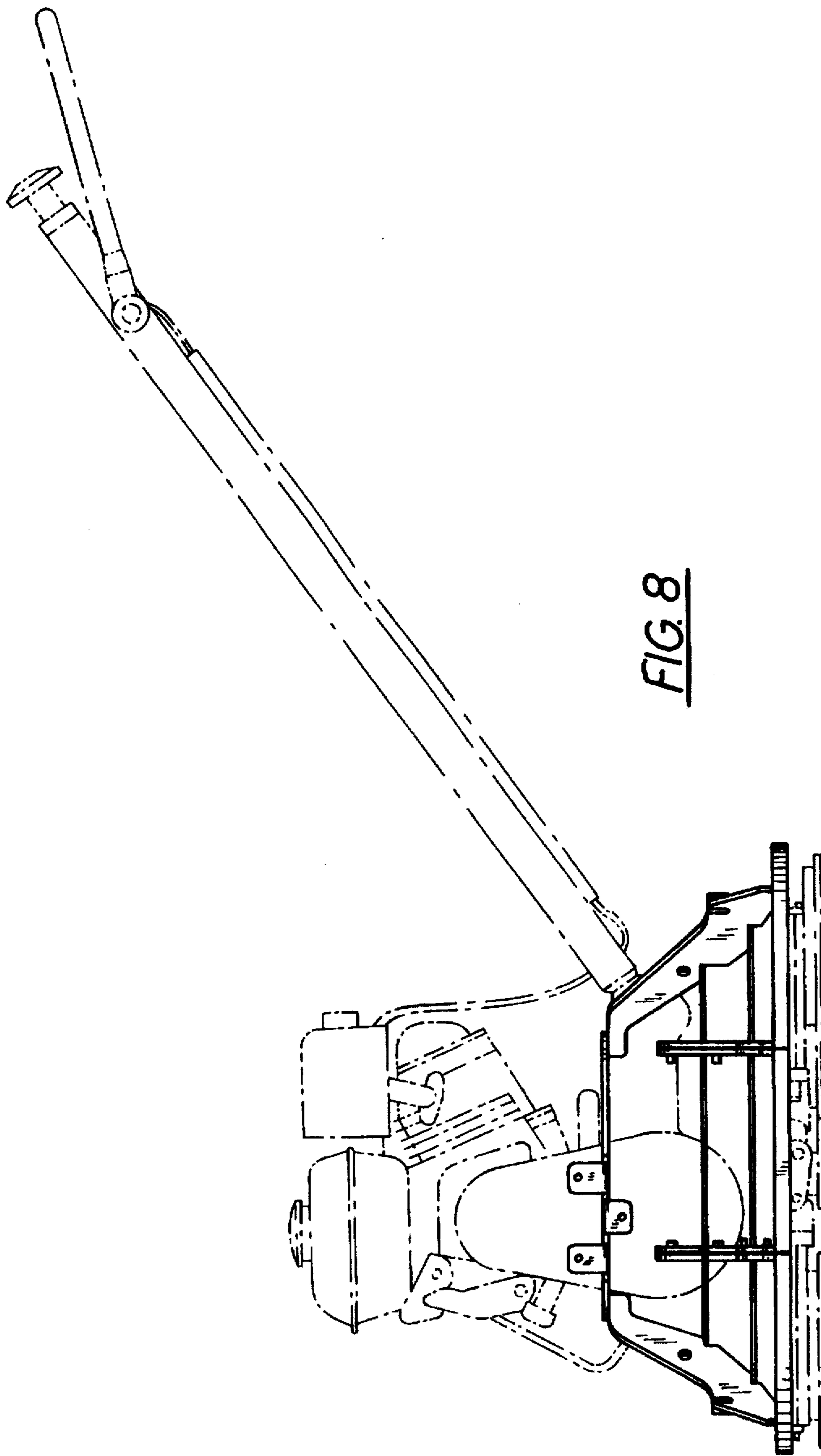


FIG. 7



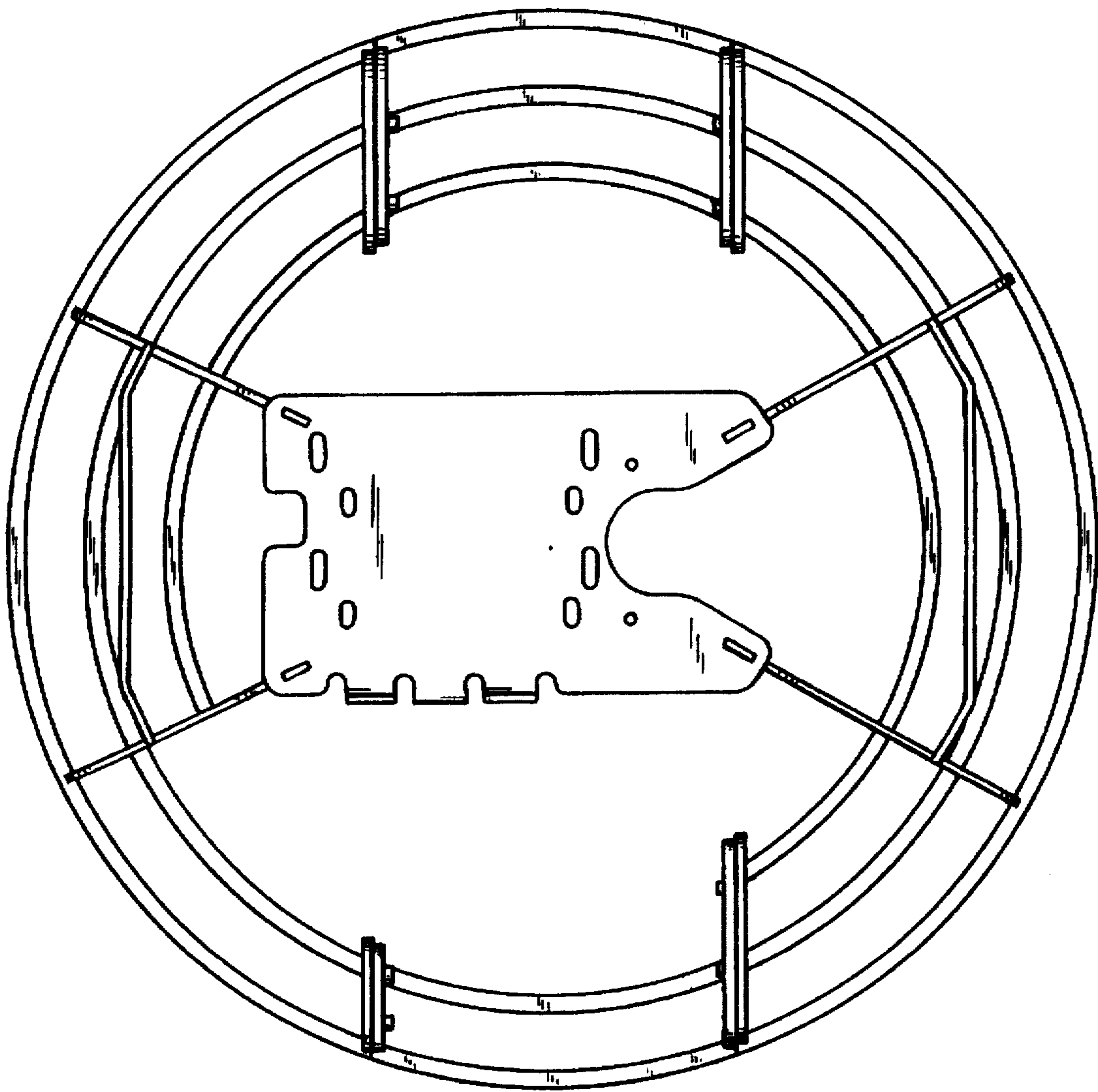


FIG. 9

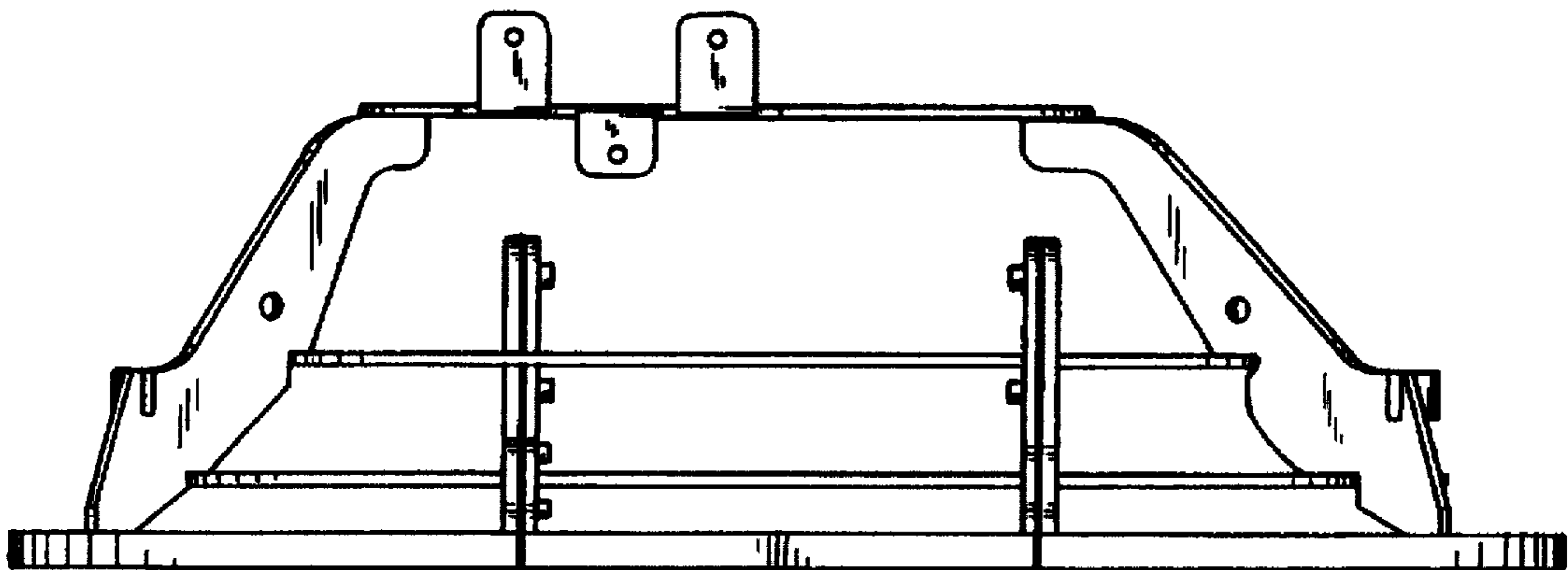


FIG. 11

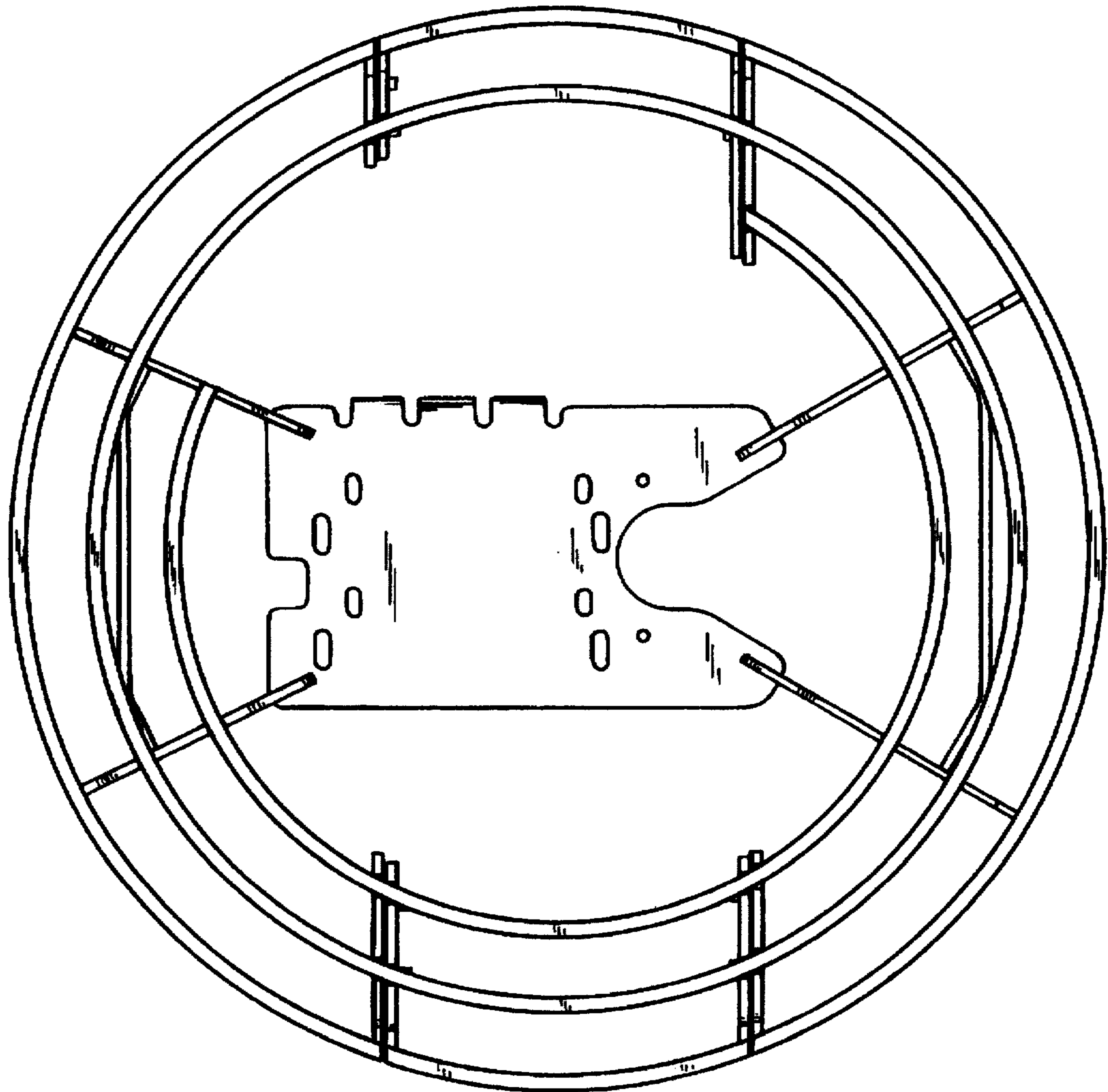


FIG. 10

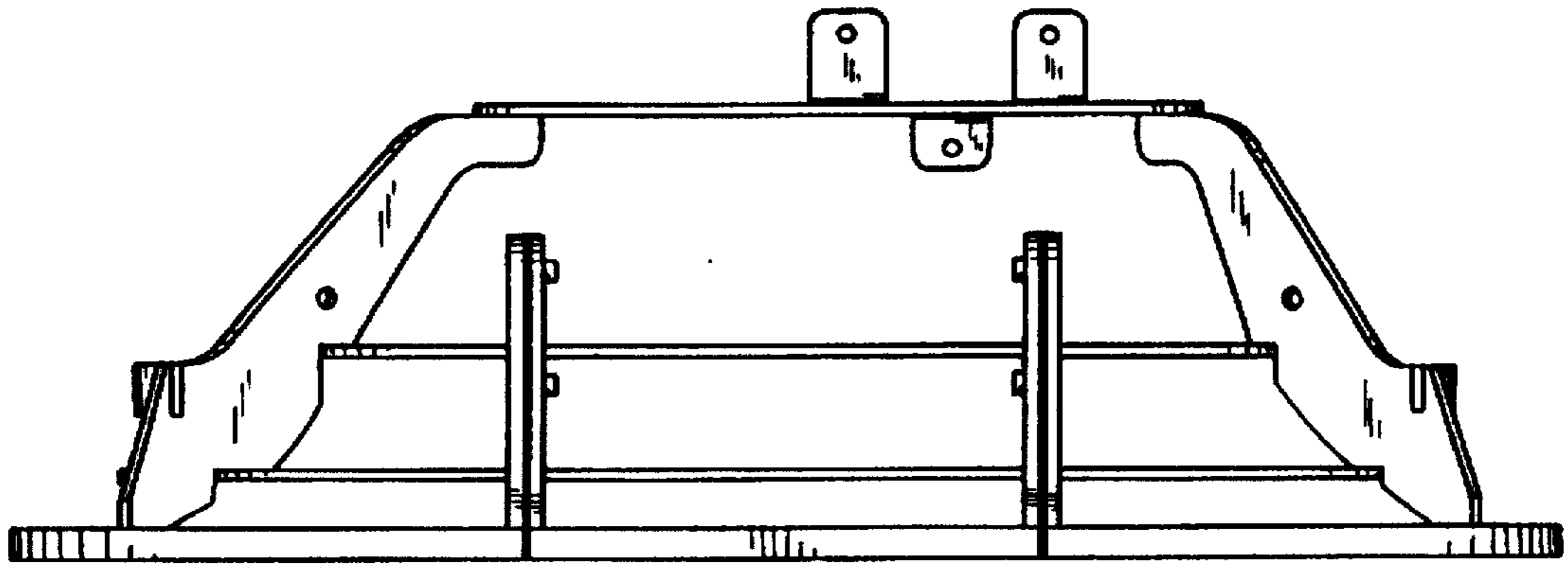


FIG. 12

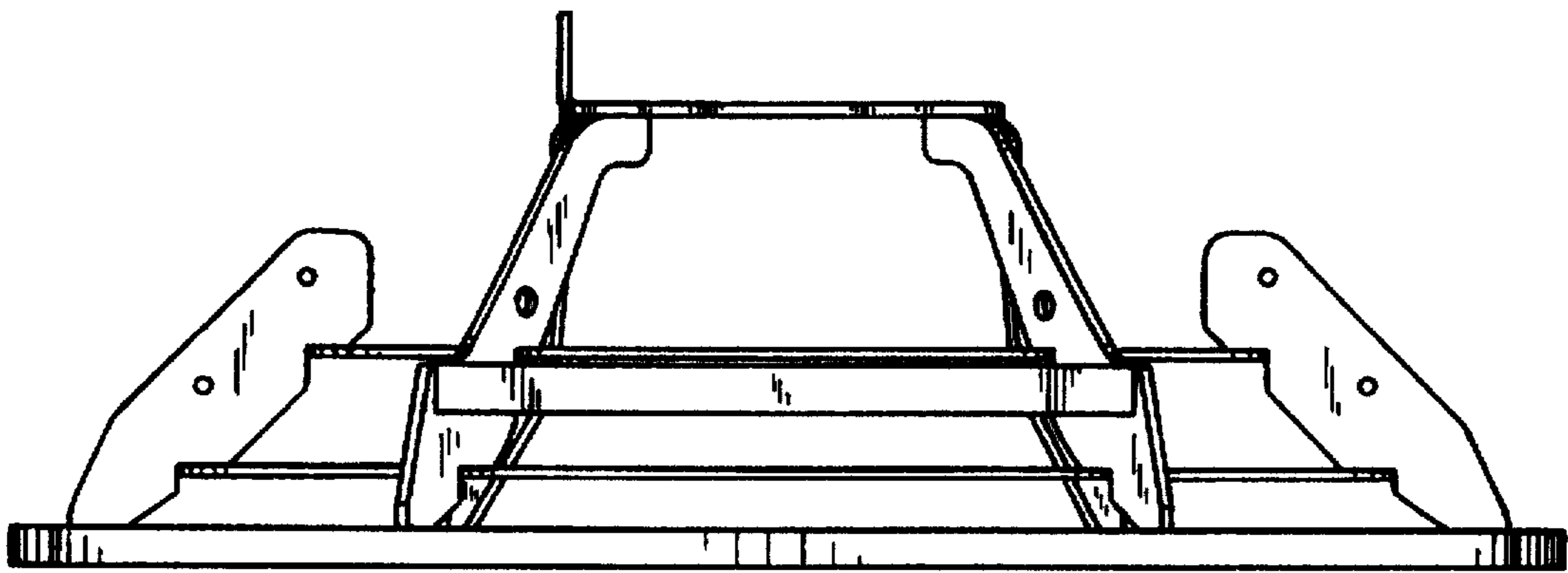


FIG. 13

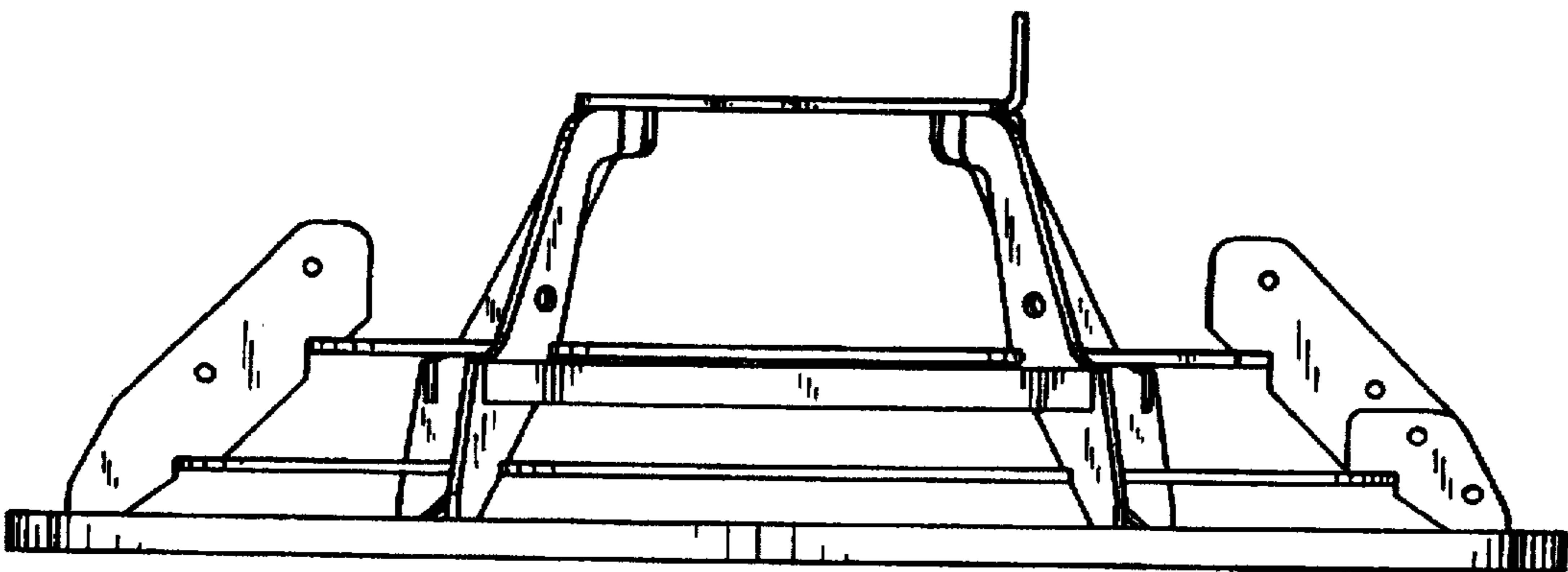


FIG. 14