

US00D390757S

United States Patent [19]

[11] Patent Number: **Des. 390,757**

Wold et al.

[45] Date of Patent: ****Feb. 17, 1998**

[54] COLANDER

[75] Inventors: **Kevin L. Wold; Daren S. Baker**, both of Seattle; **Dennis M. Terenzio**, Mercer Island, all of Wash.; **Clinton L. Schwietert**, Tacoma, Calif.

[73] Assignee: **Progressive International Corporation**, Kent, Wash.

[**] Term: **14 Years**

[21] Appl. No.: **57,813**

[22] Filed: **Aug. 1, 1996**

[51] LOC (6) Cl. **07-04**

[52] U.S. Cl. **D7/667**

[58] Field of Search D7/667, 400; 99/403, 99/426; 210/464, 465, 470, 473, 498, 499

[56] References Cited

U.S. PATENT DOCUMENTS

D. 199,320 10/1964 Swett D7/667
D. 379,289 5/1997 Jeppesen et al. D7/667

FOREIGN PATENT DOCUMENTS

254563 7/1926 United Kingdom D7/667

OTHER PUBLICATIONS

Signatures Brochure, Colanders Mar. 02, 1995.

Primary Examiner—Terry A. Wallace
Attorney, Agent, or Firm—John R. Benefiel

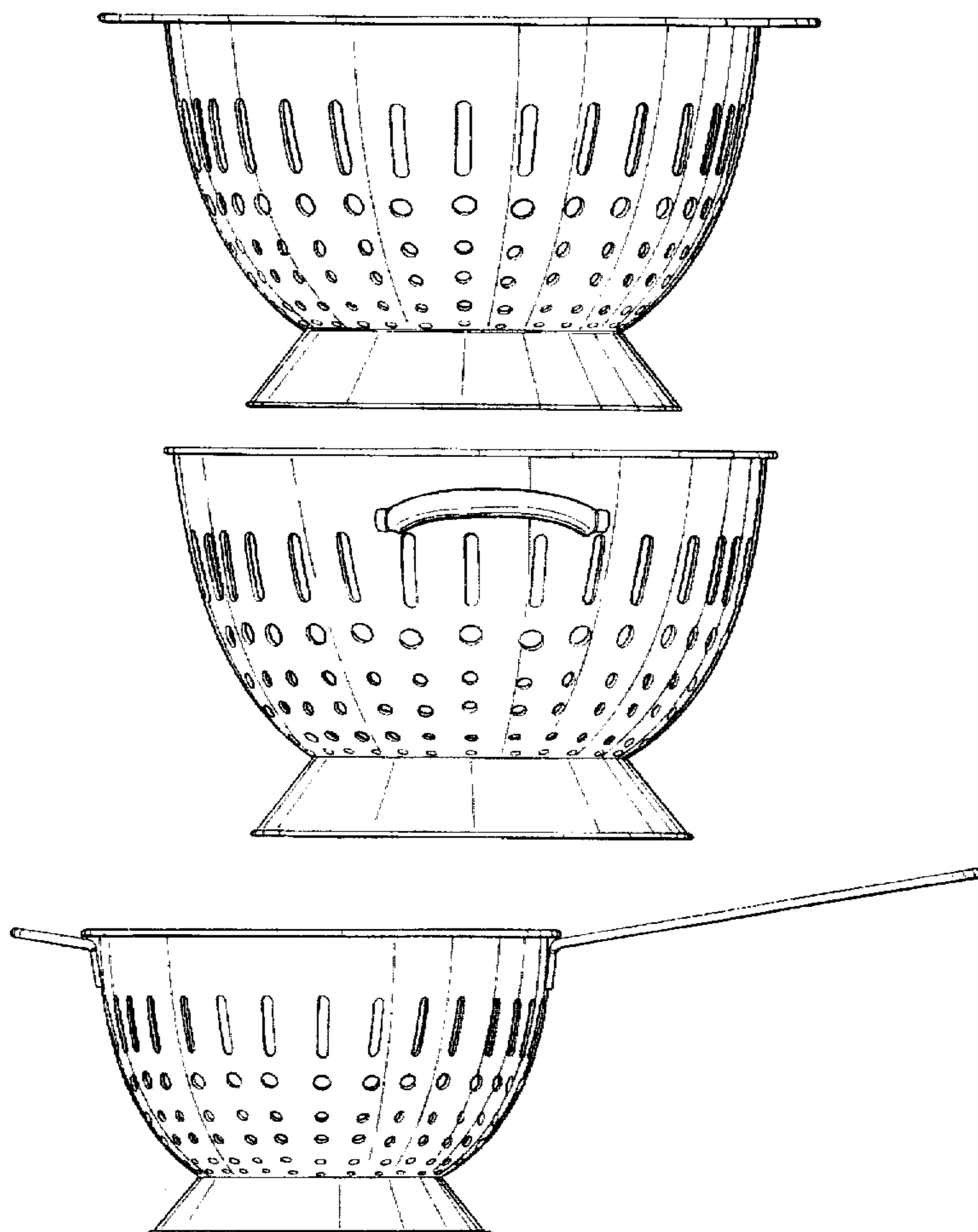
[57] CLAIM

The ornamental design for a colander, as shown and described.

DESCRIPTION

FIG. 1 is a side elevation view of a colander showing our new design;
FIG. 2 is a top plan view thereof;
FIG. 3 is a bottom plan view thereof;
FIG. 4 is a front elevation view of an alternate embodiment of FIG. 1;
FIG. 5 is a top plan view of FIG. 4;
FIG. 6 is a side elevation view of FIG. 4;
FIG. 7 is a bottom plan view of FIG. 4;
FIG. 8 is a right side elevation view of an alternate embodiment of FIG. 1;
FIG. 9 is a top plan view of FIG. 8;
FIG. 10 is a front elevation view of FIG. 8;
FIG. 11 is a left side elevation view of FIG. 8 ; and,
FIG. 12 is a bottom plan view of FIG. 8.

1 Claim, 6 Drawing Sheets



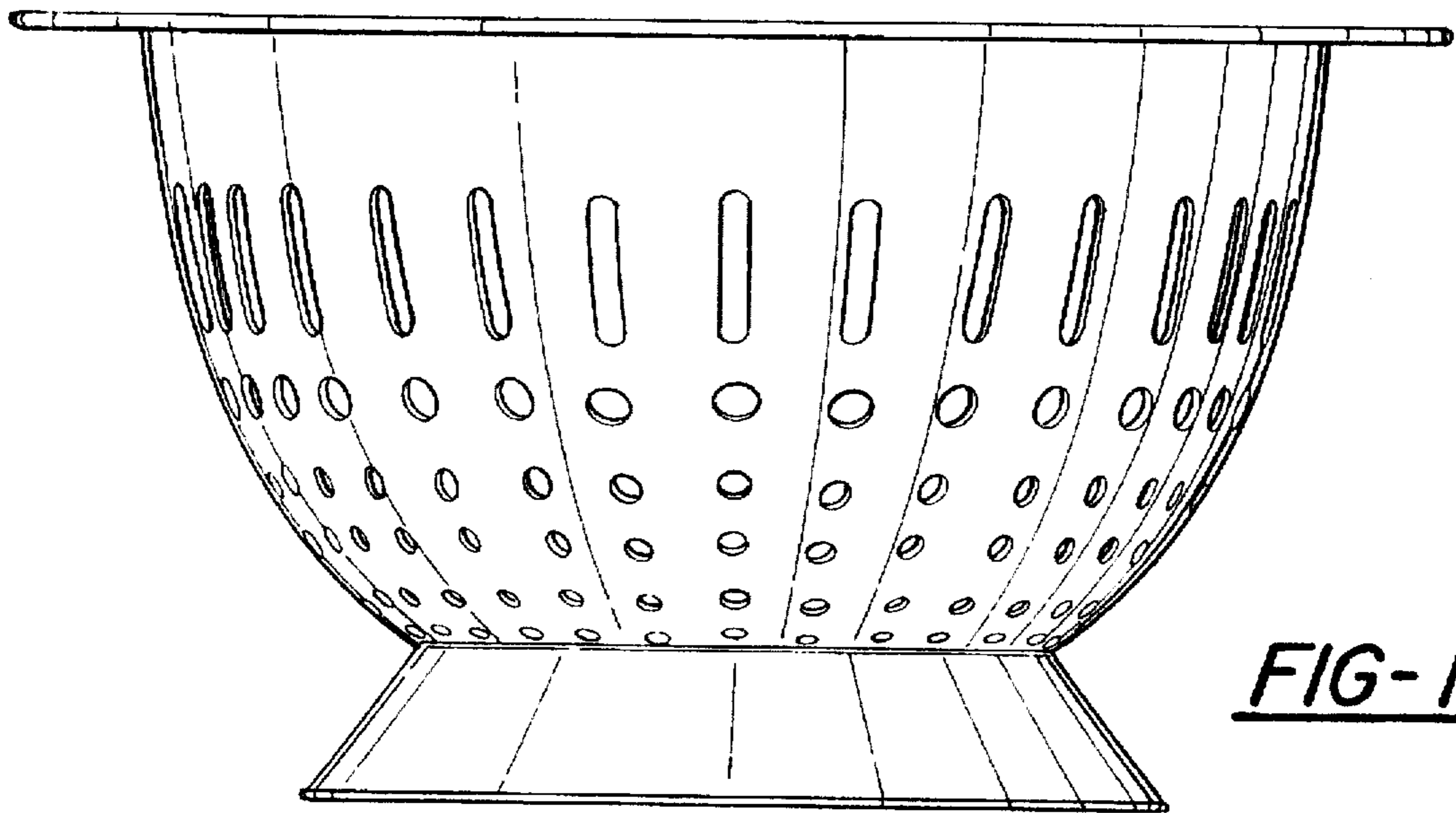


FIG-1

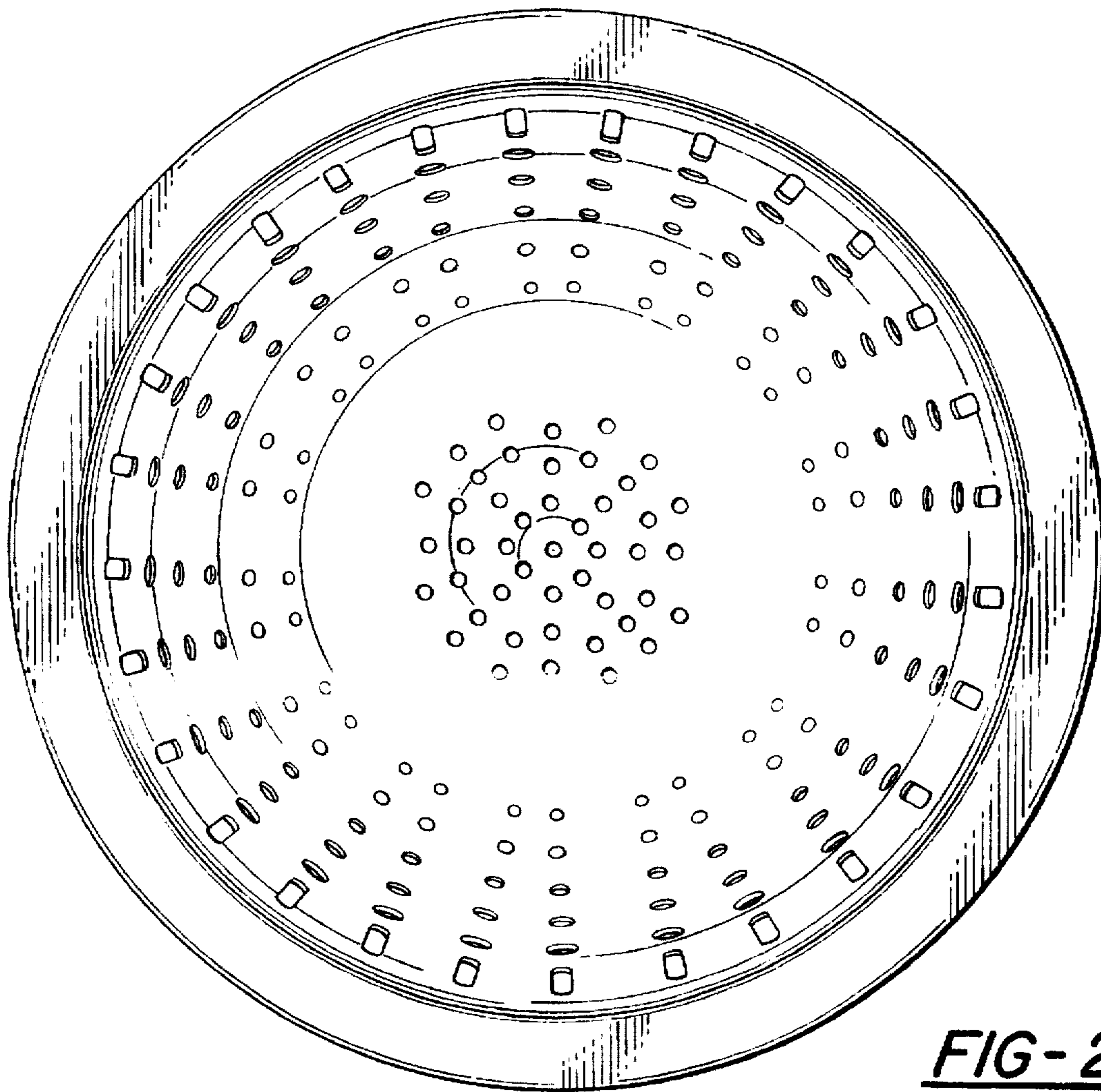


FIG-2

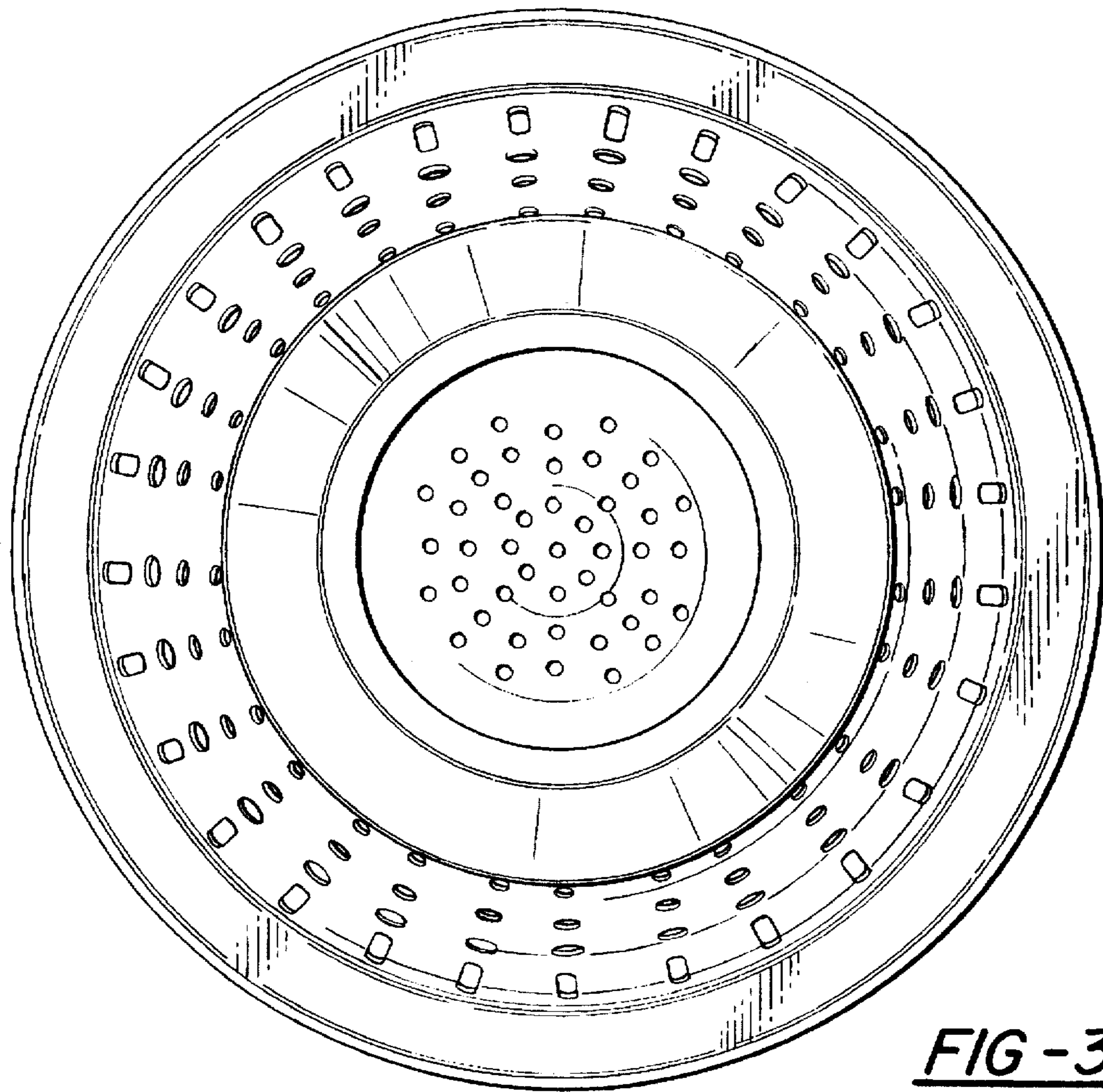


FIG-3

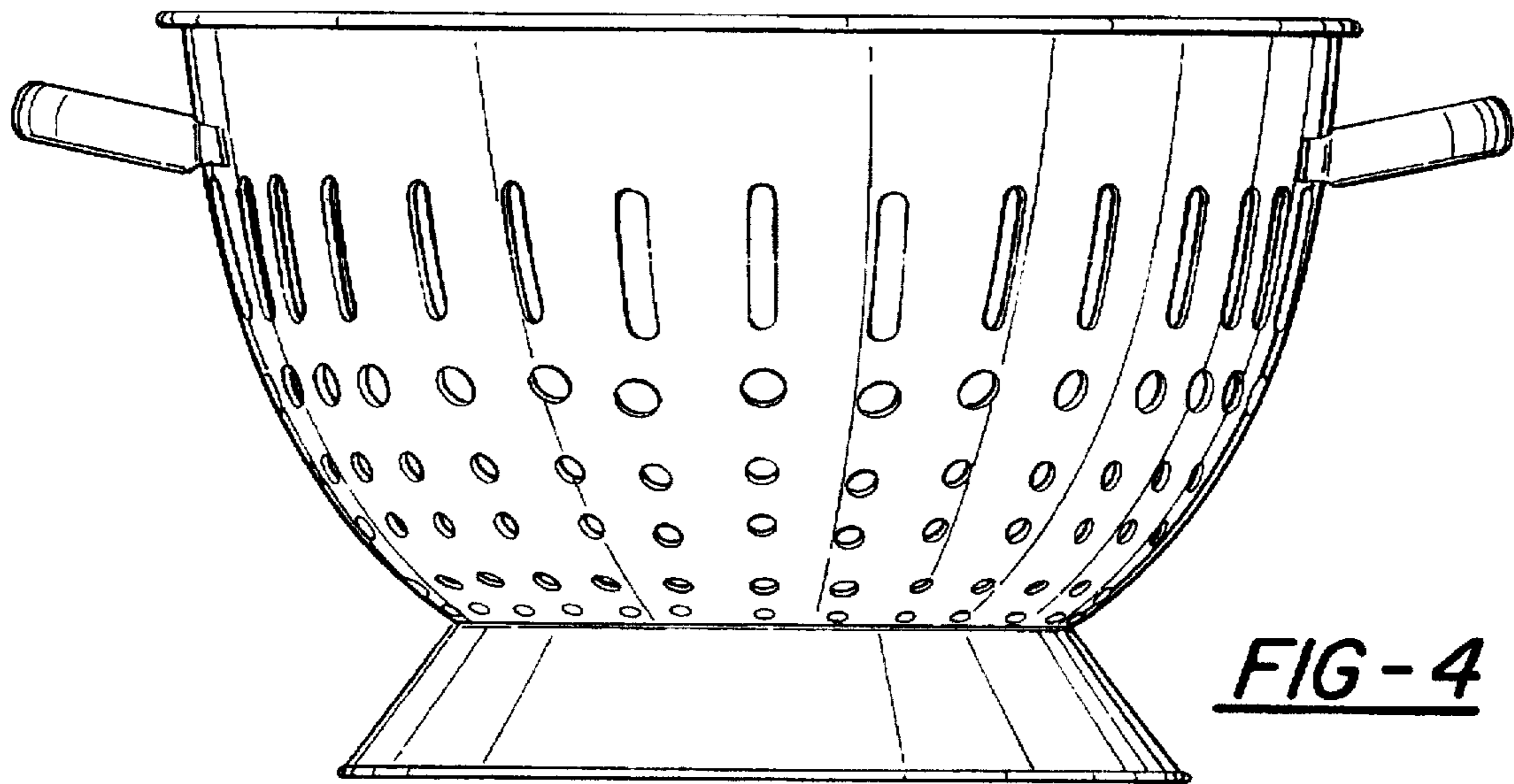


FIG-4

FIG - 5

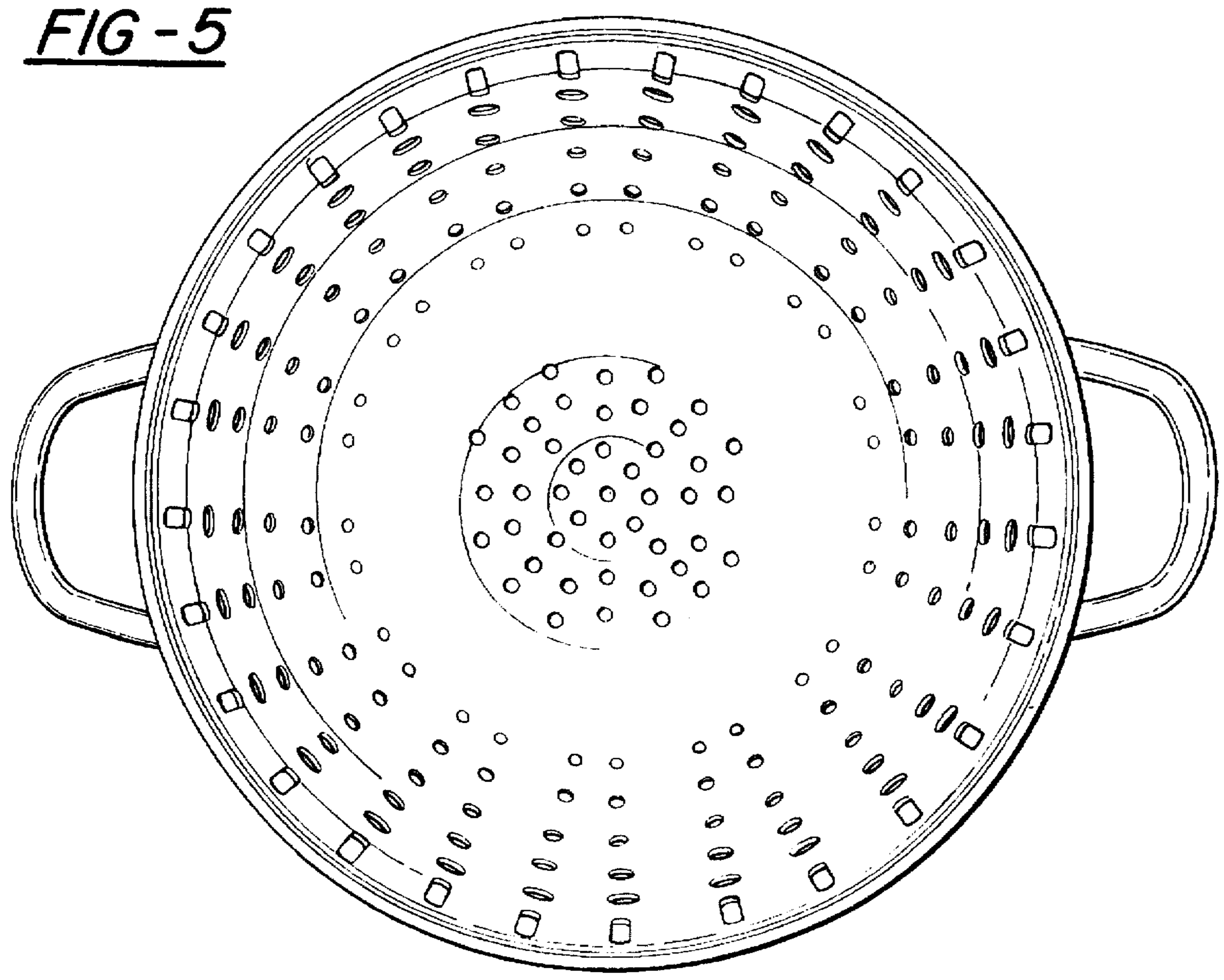


FIG - 6

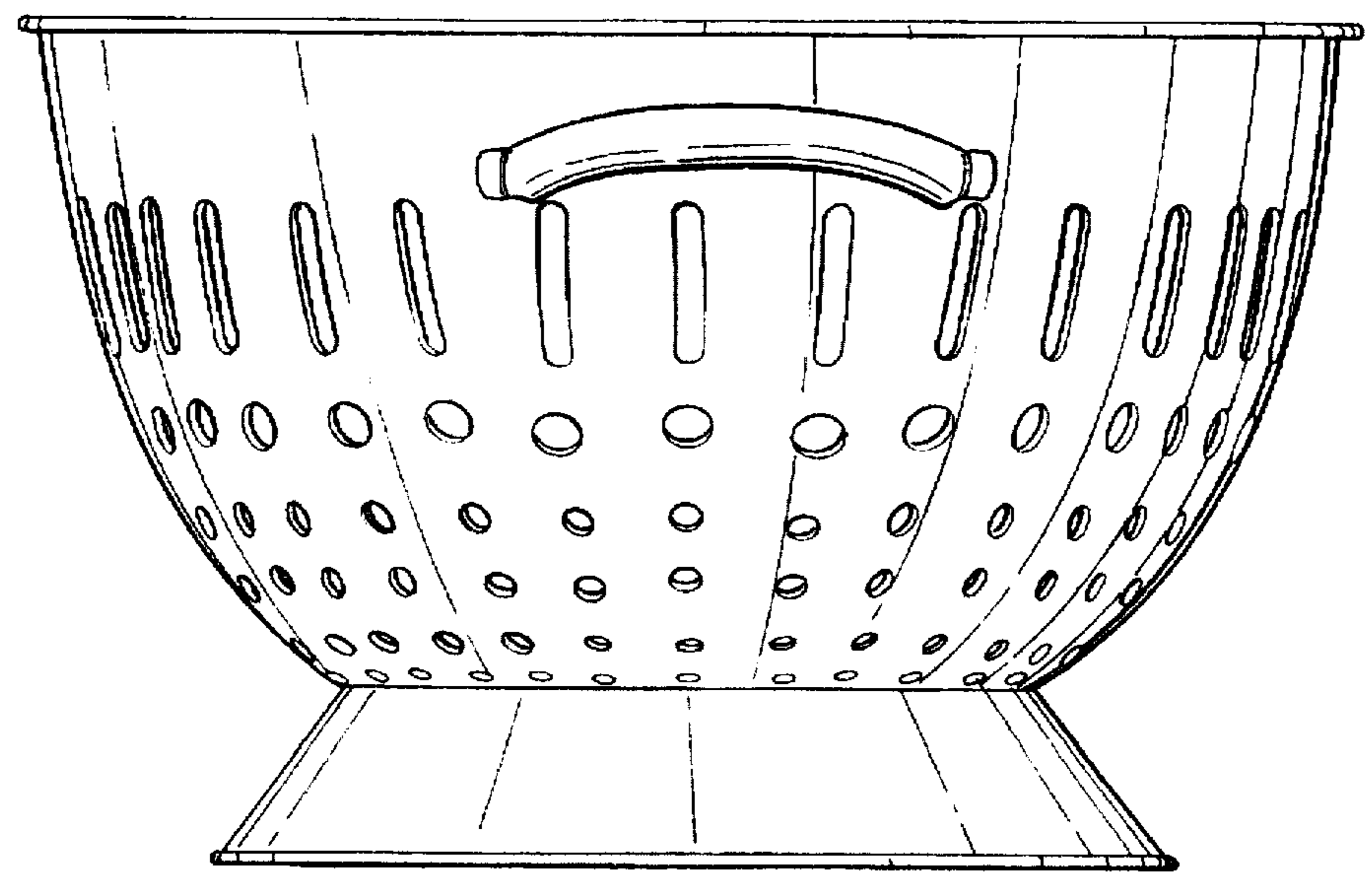


FIG - 7

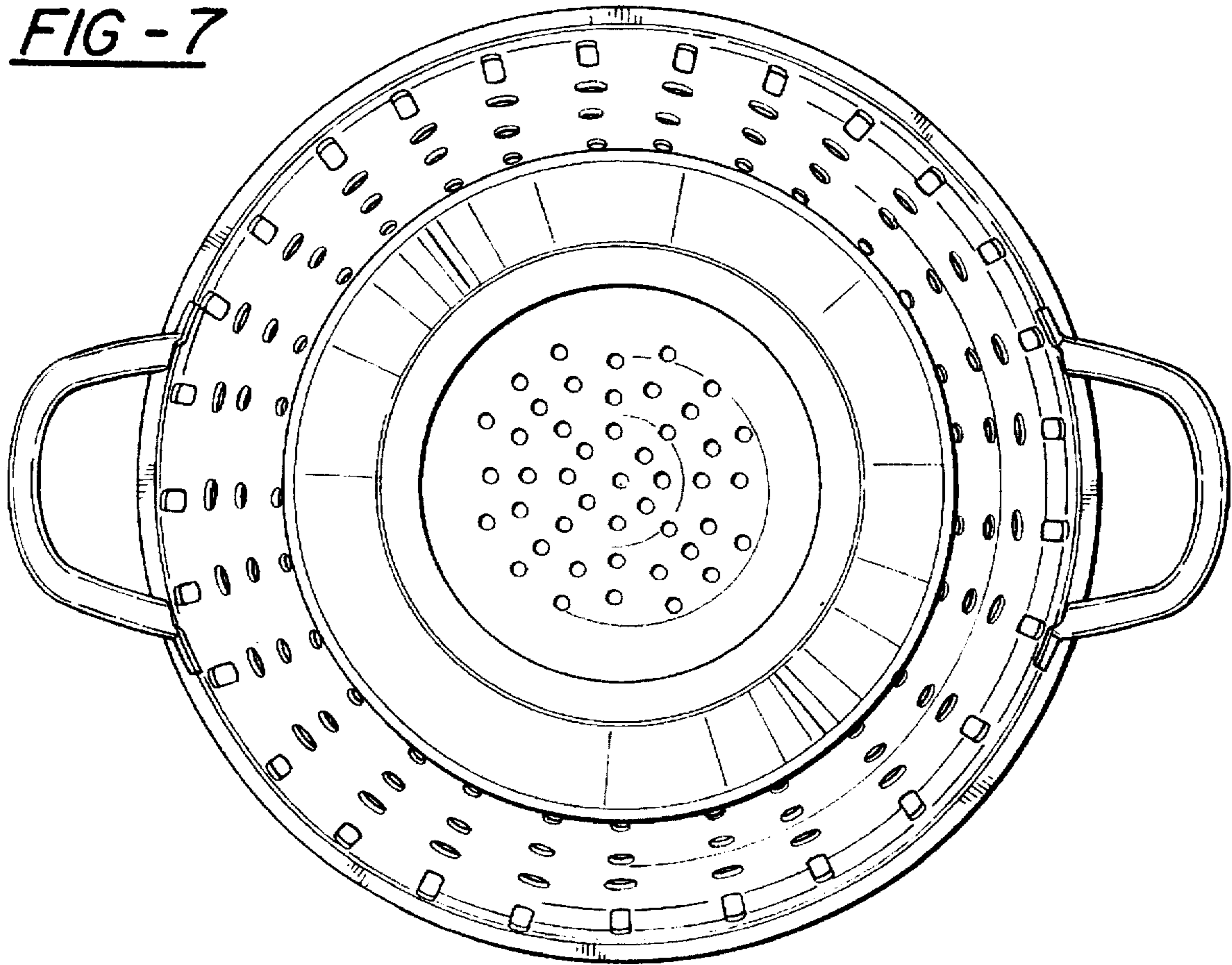


FIG - 8

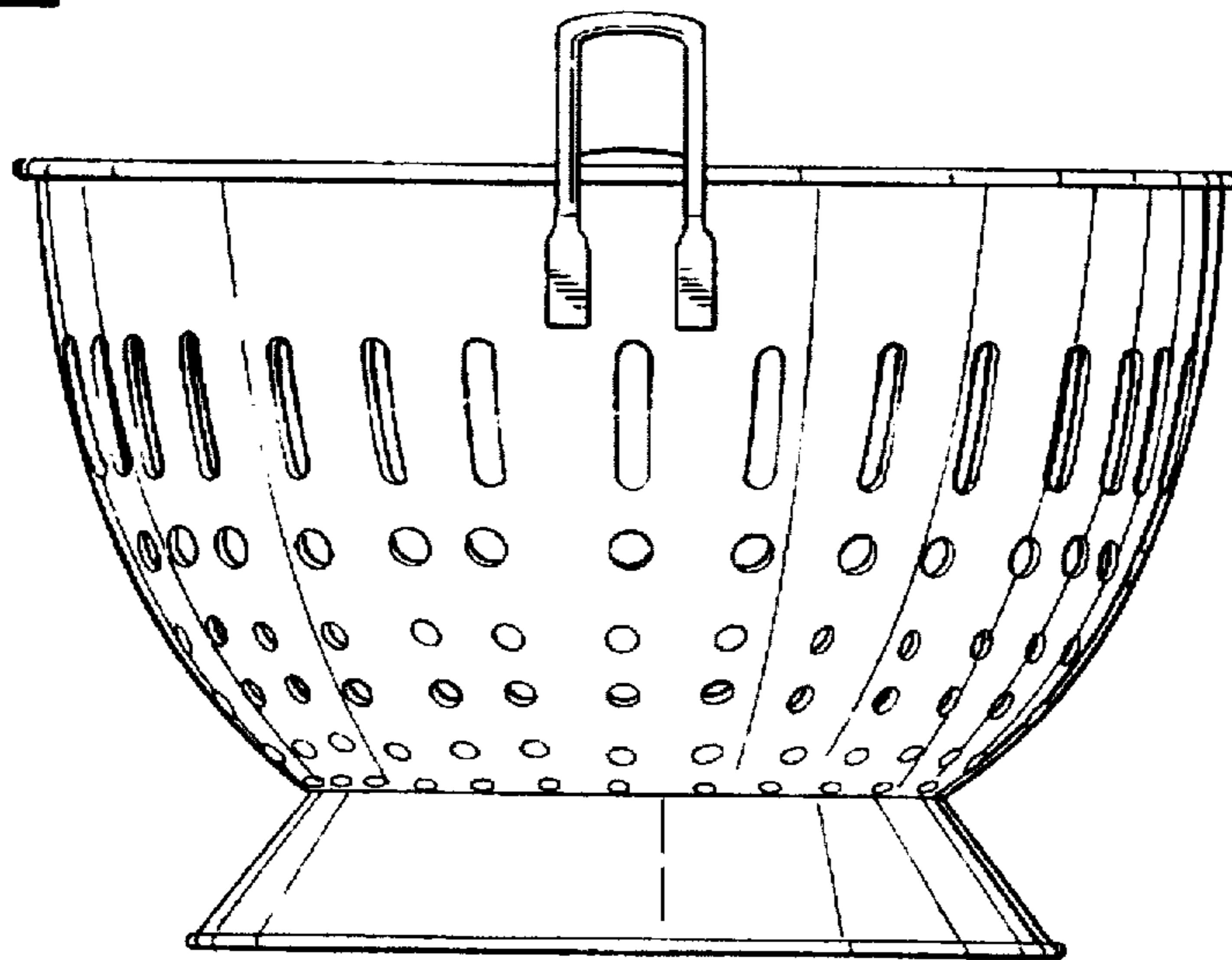


FIG - 9

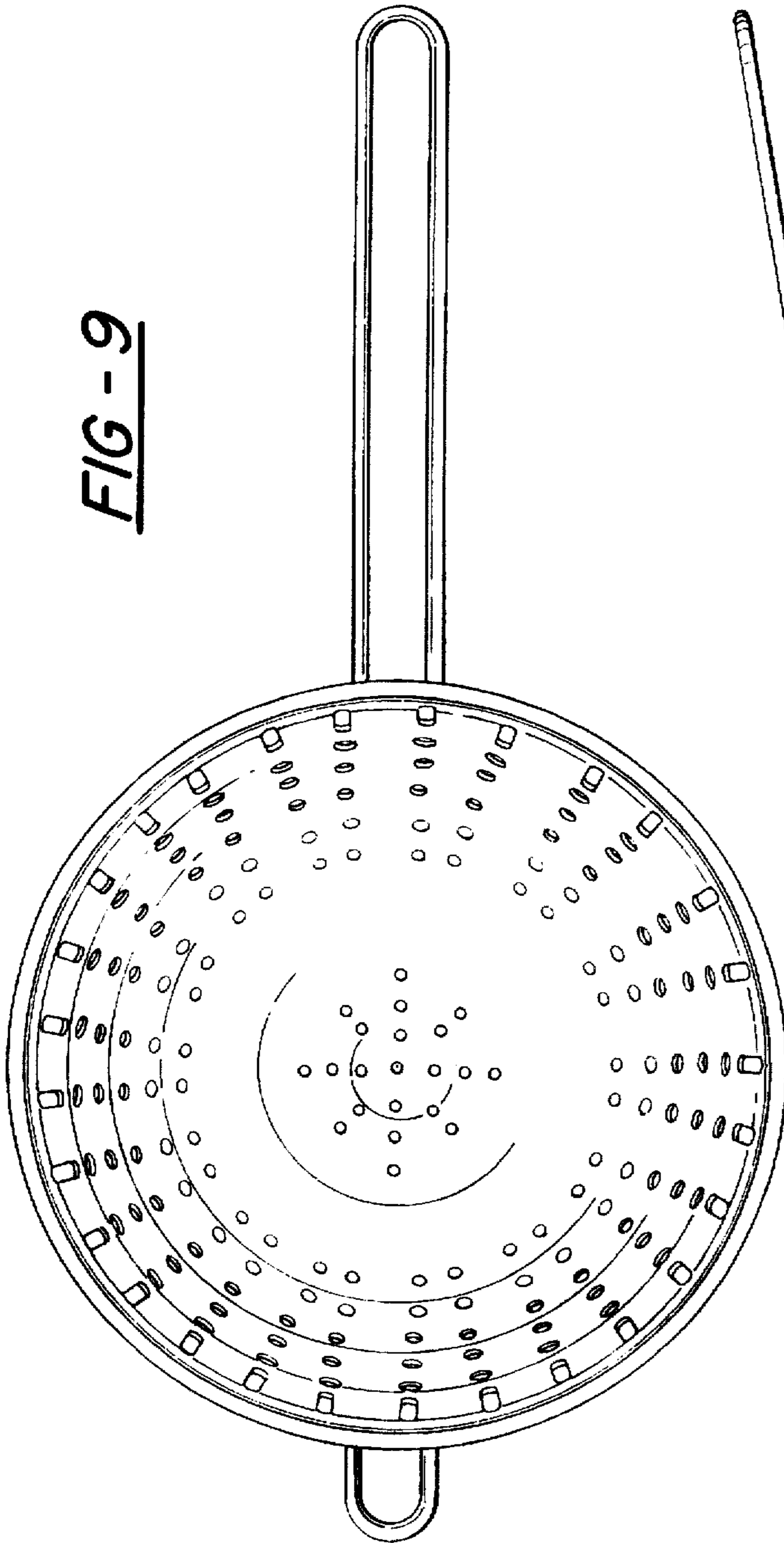
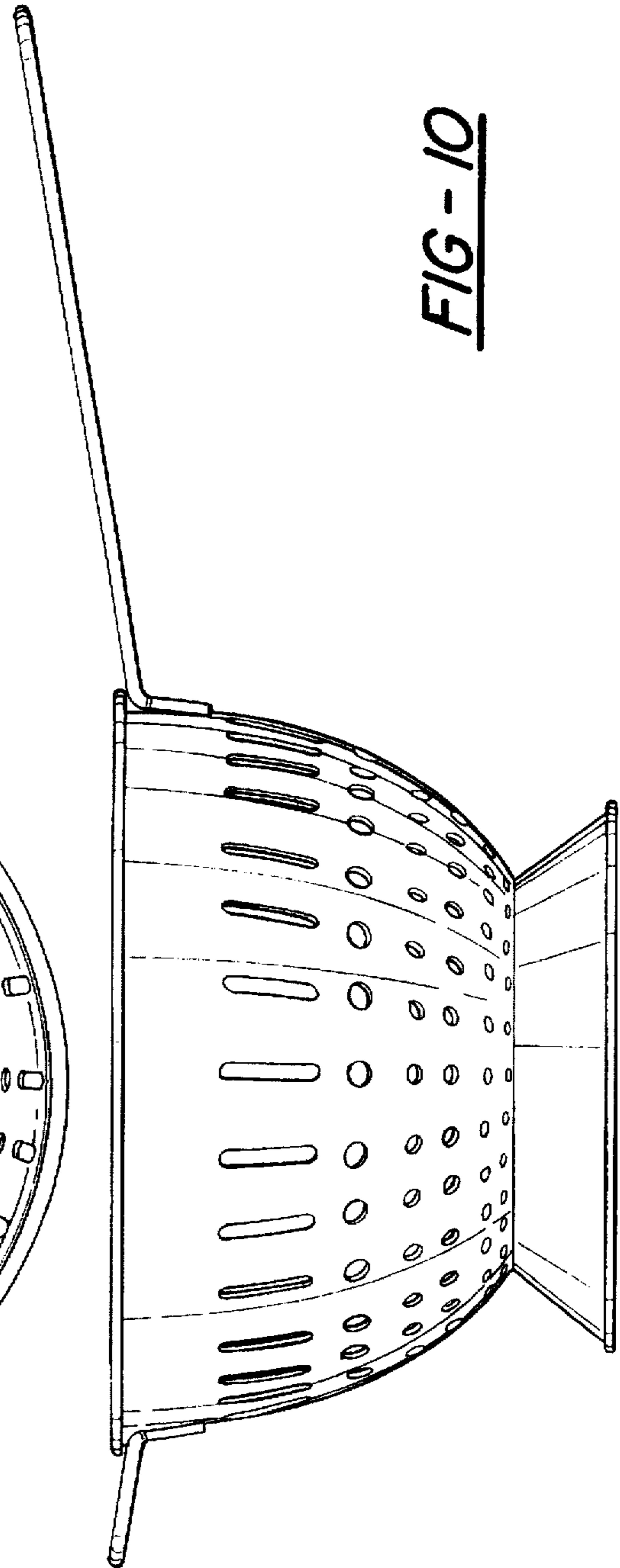


FIG - 10



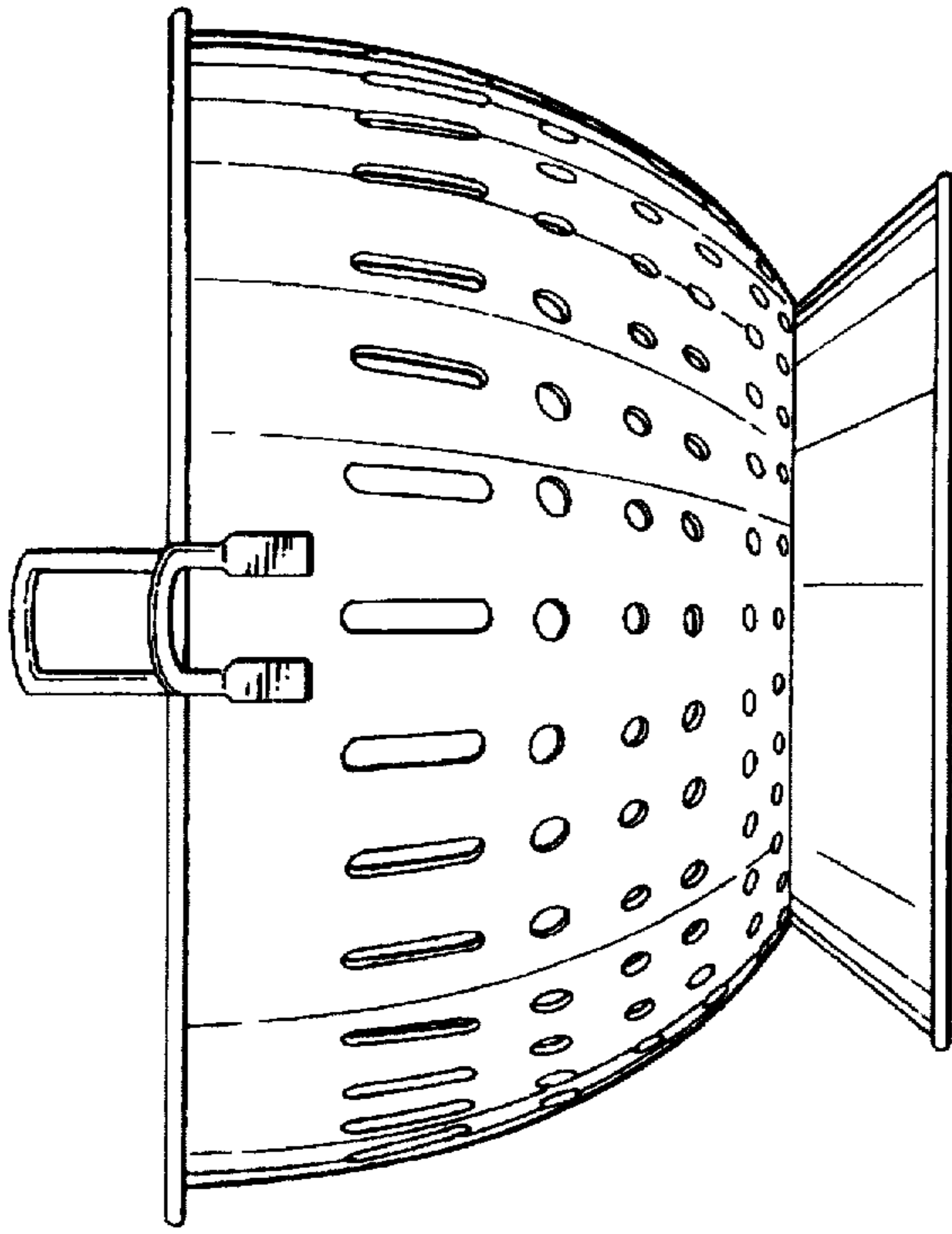


FIG-11

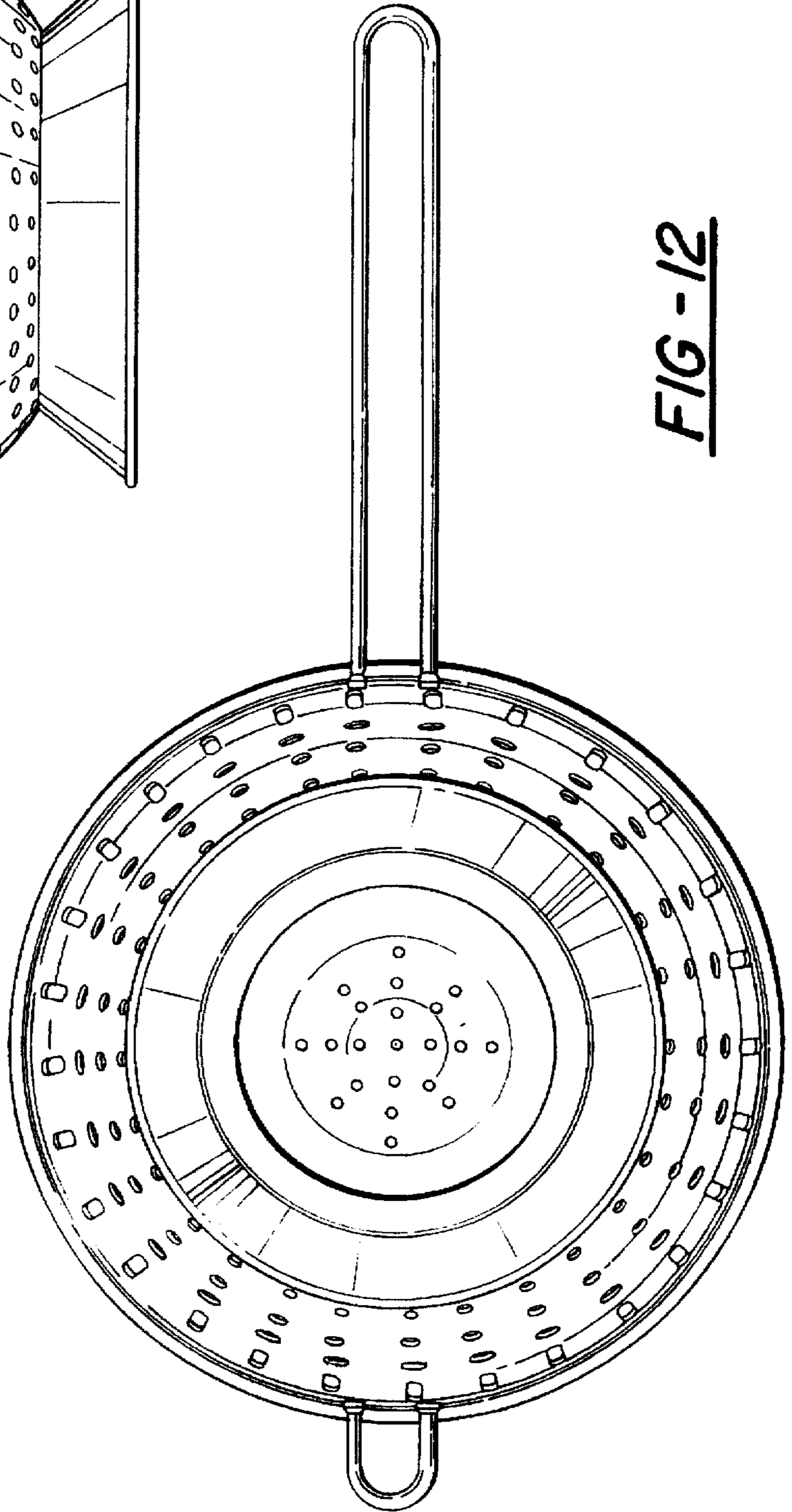


FIG-12