



US00D390756S

United States Patent [19]
Arduini

[11] **Patent Number:** **Des. 390,756**
[45] **Date of Patent:** ****Feb. 17, 1998**

[54] **CANISTER WITH LID**
[75] **Inventor:** **Gianni Arduini, Melegnano, Italy**
[73] **Assignee:** **Click Clack International Ltd., New Zealand**
[**] **Term:** **14 Years**

[21] **Appl. No.:** **62,307**
[22] **Filed:** **Nov. 13, 1996**

[30] **Foreign Application Priority Data**
May 15, 1996 [NZ] New Zealand 27593
[51] **LOC (6) Cl.** **09-02**
[52] **U.S. Cl.** **D7/615**
[58] **Field of Search** **D7/612-615; D9/526;**
215/370, 371; 220/600, 200, 780, 309.1

[56] **References Cited**

U.S. PATENT DOCUMENTS

D. 363,649 10/1995 Robbins, III D7/612
D. 366,619 1/1996 Holbrook D9/526

Primary Examiner—Terry A. Wallace
Attorney, Agent, or Firm—Ladas & Parry

[57] **CLAIM**

The ornamental design for a canister with lid, as shown and described.

DESCRIPTION

FIG. 1 is a perspective view of the canister with lid;
FIG. 2 is a left side elevational view thereof, the right side elevational view being a mirror image thereof;
FIG. 3 is a front elevational view thereof;
FIG. 4 is a rear elevational view thereof;
FIG. 5 is a top plan view thereof;
FIG. 6 is a bottom plan view thereof; and,
FIG. 7 is a sectional view thereof on line 7-7 in FIG. 2.

1 Claim, 6 Drawing Sheets

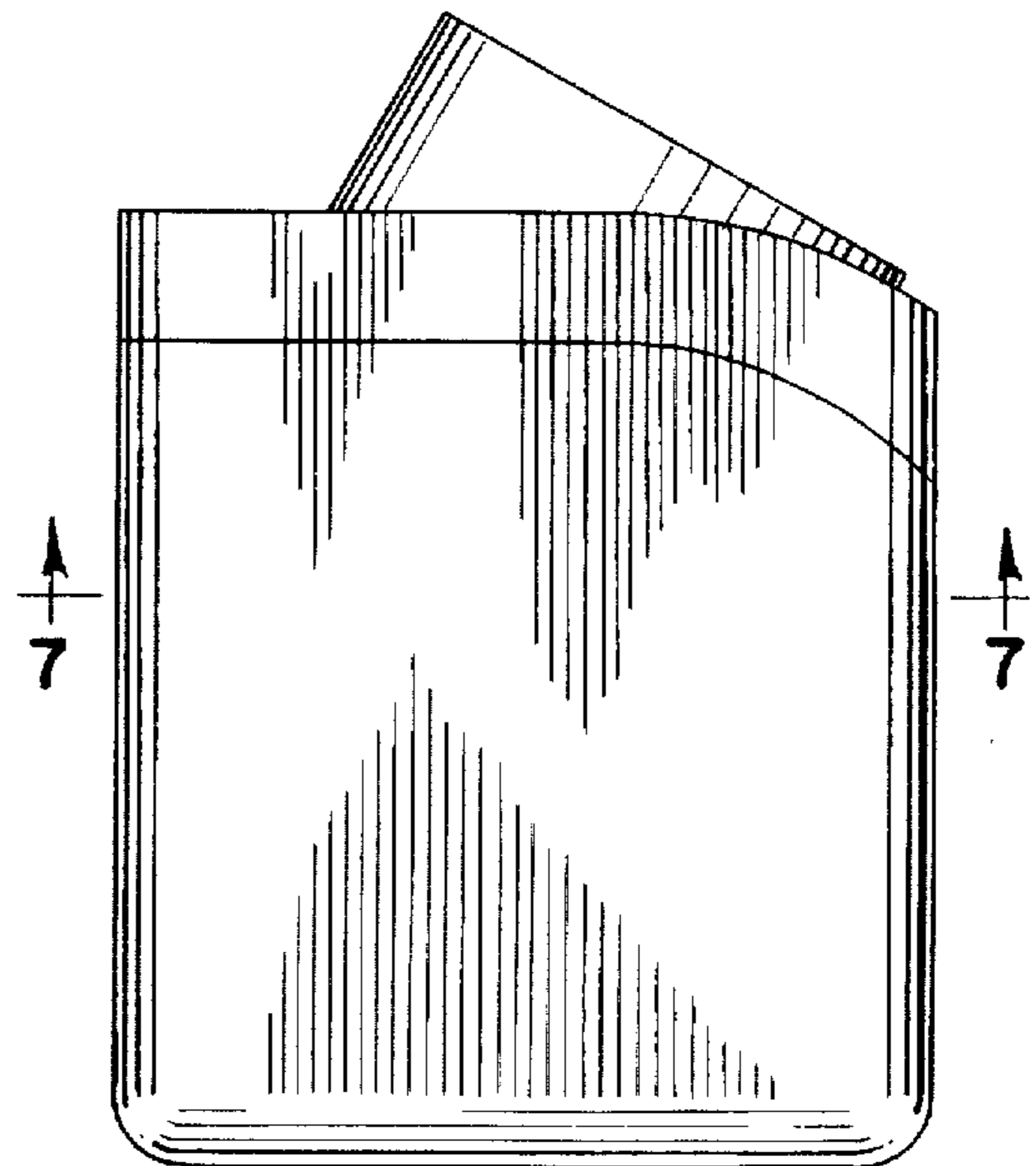
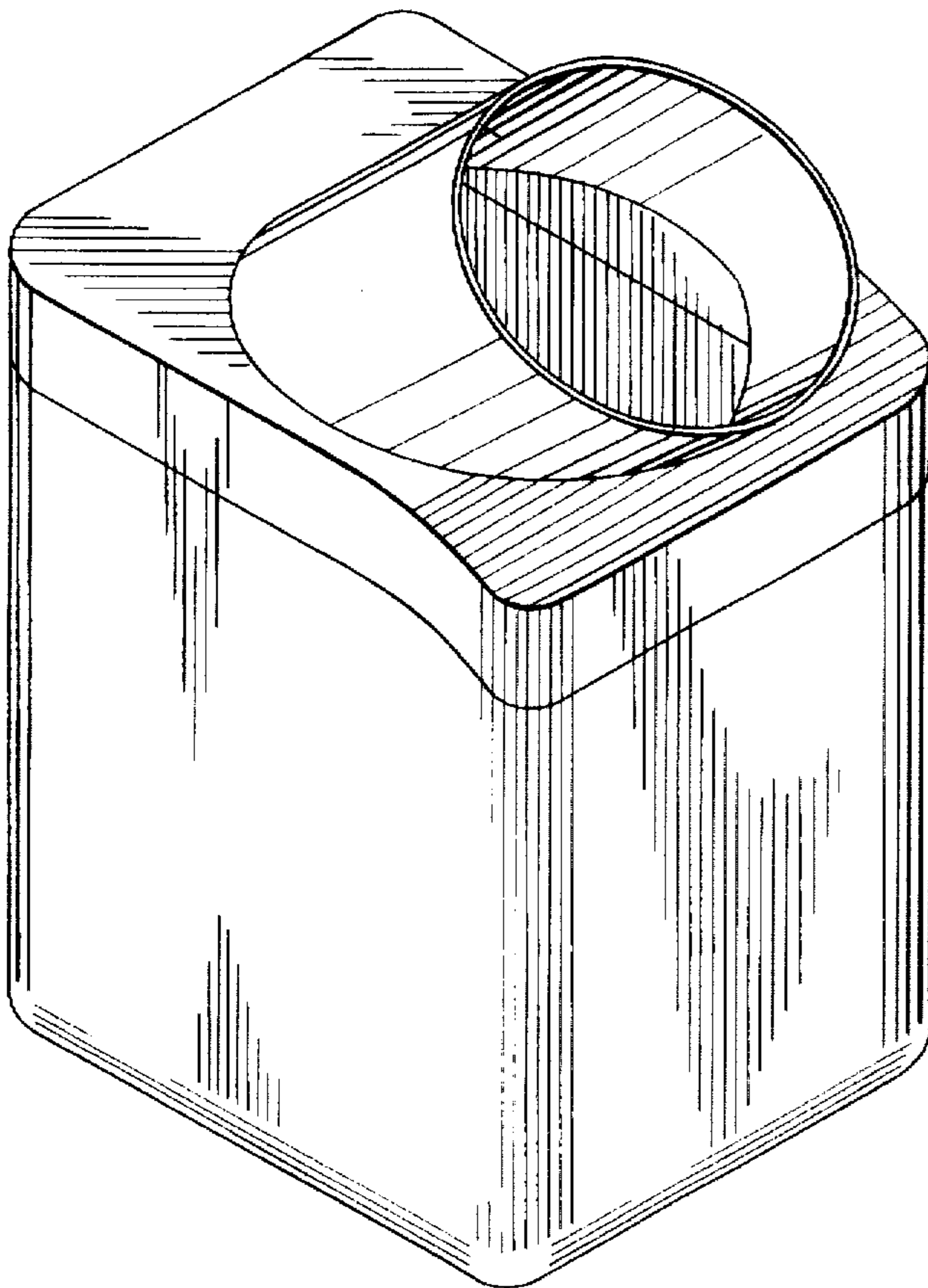


FIG. 1

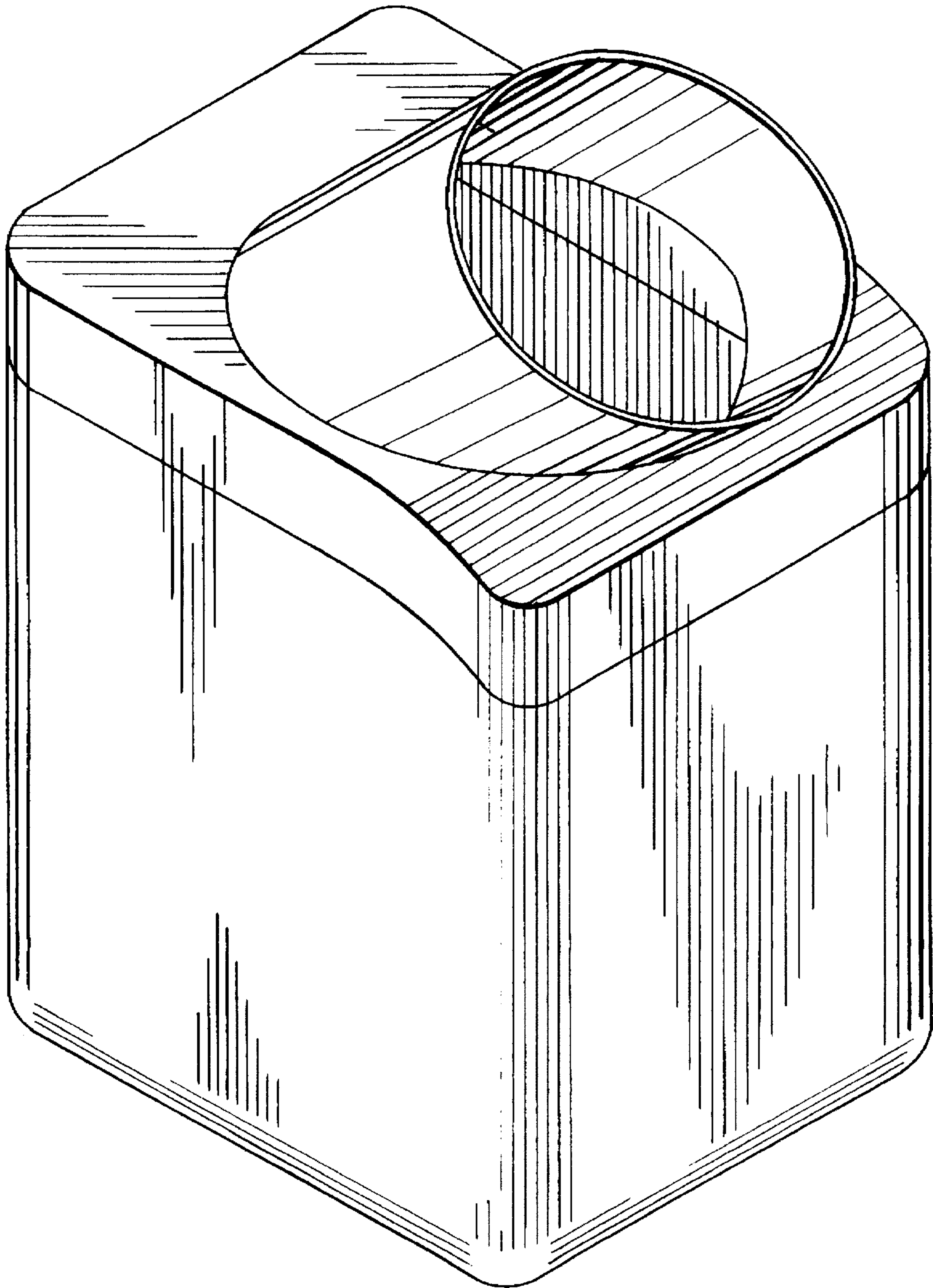


FIG. 2

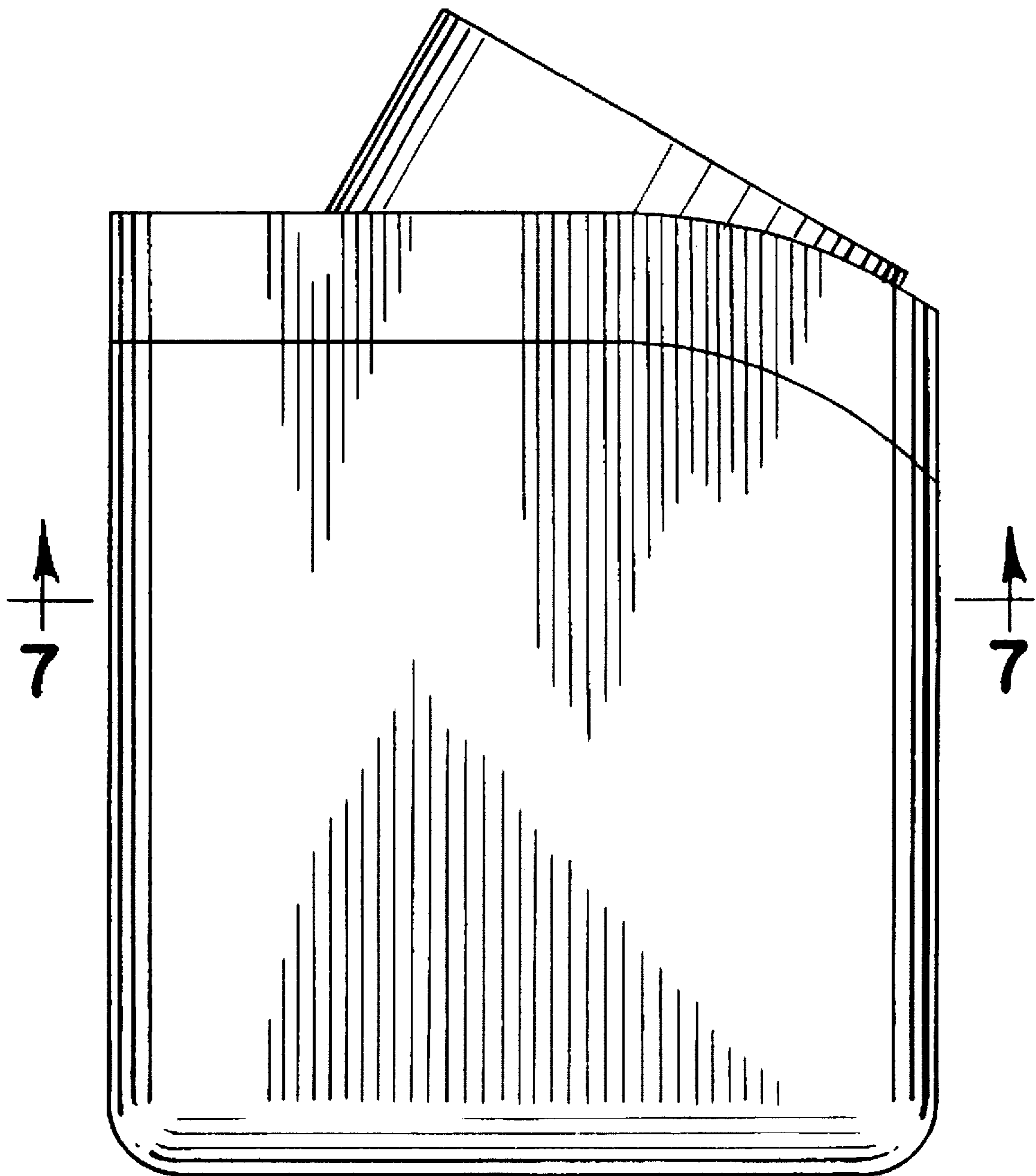


FIG. 3

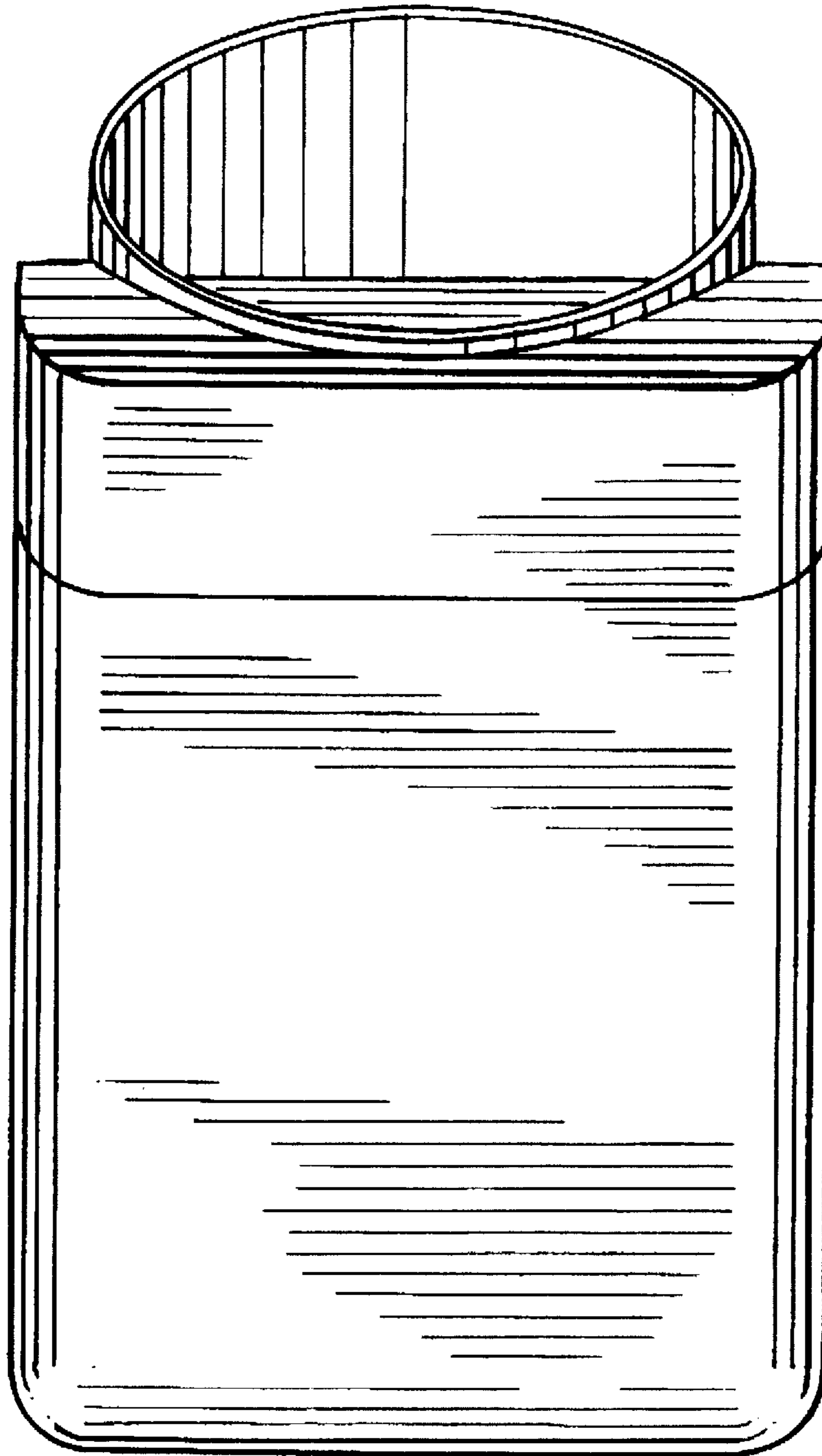


FIG. 4

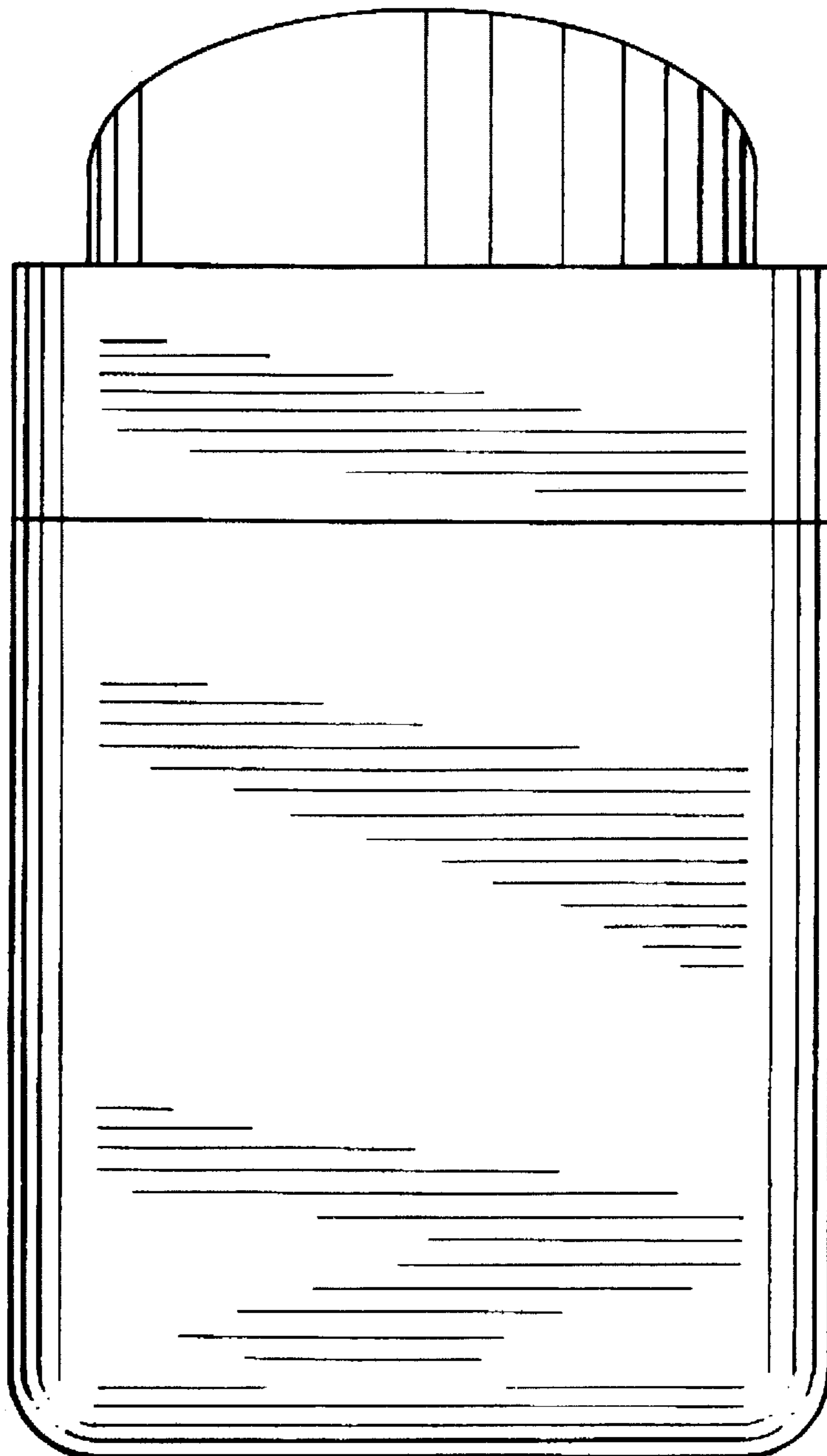


FIG. 5

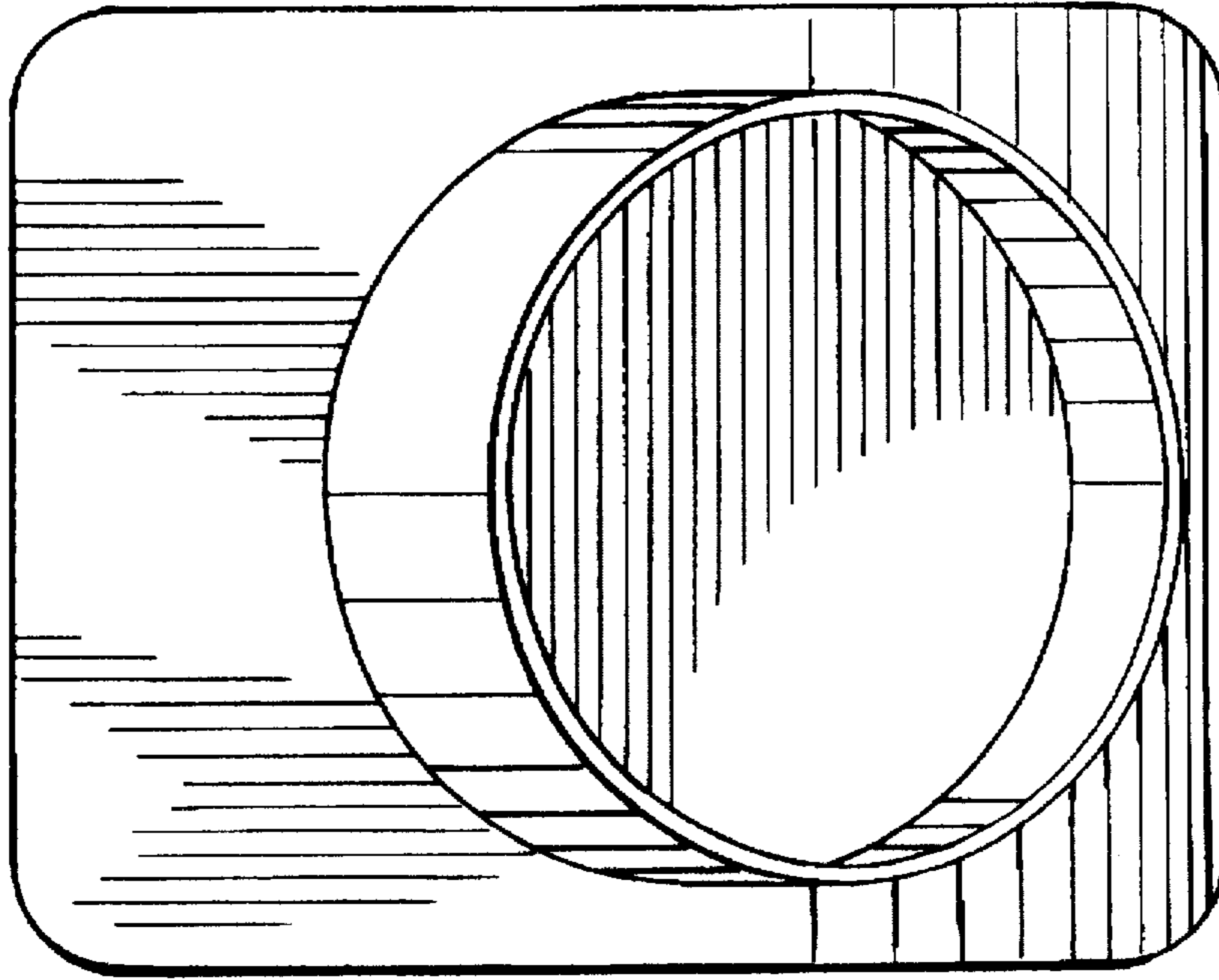


FIG. 6

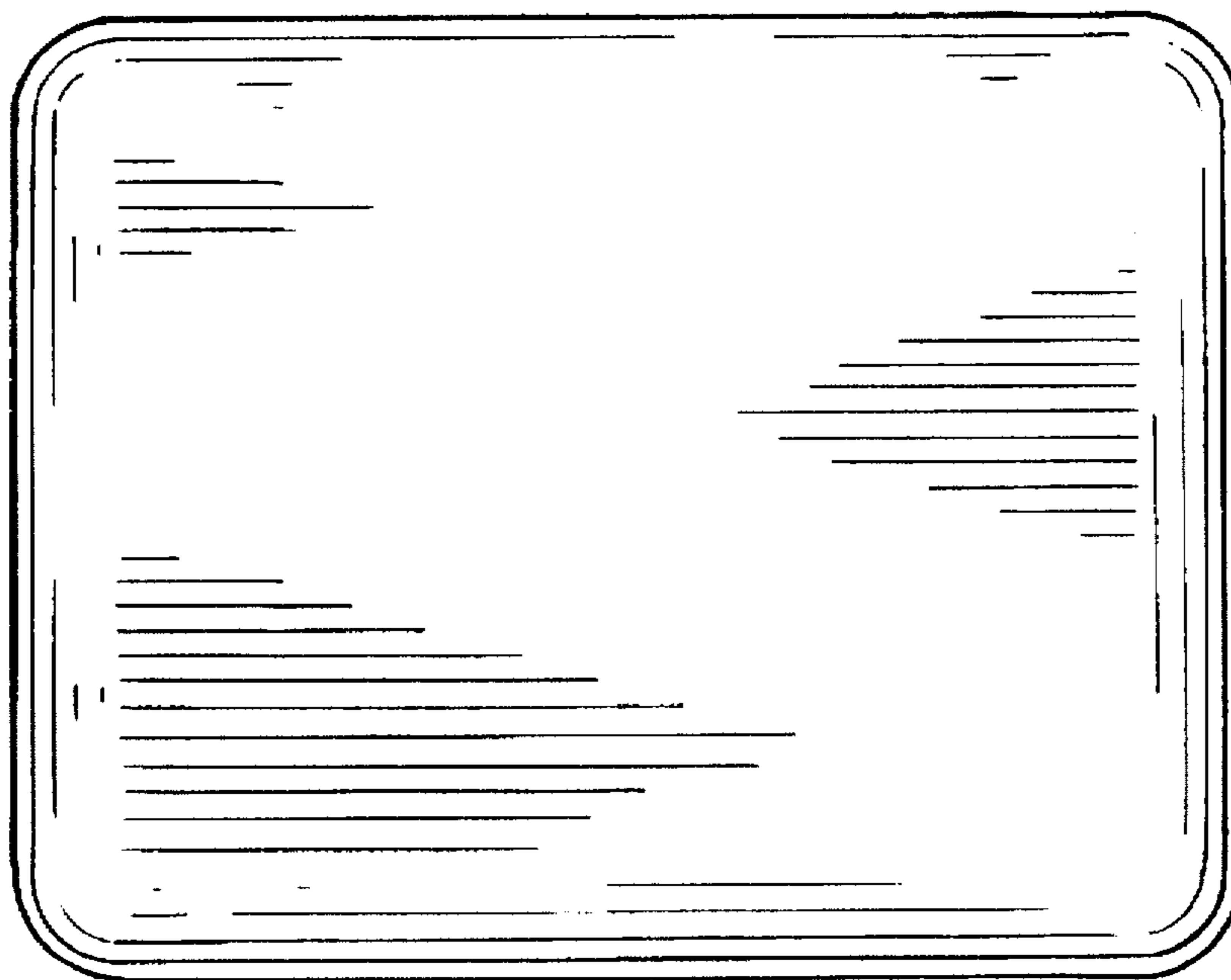


FIG. 7

