



US00D390755S

United States Patent [19]
Hotton

[11] **Patent Number: Des. 390,755**
[45] **Date of Patent: **Feb. 17, 1998**

[54] **INSULATED HOLDING SYSTEM FOR CONTAINERS OF CONSUMABLE LIQUIDS**

87944 1/1921 Switzerland 215/384
220902 8/1924 United Kingdom 215/384

[76] **Inventor: George R. Hotton, 65 Bishop St., North Haven, Conn. 06473**

[**] **Term: 14 Years**

[21] **Appl. No.: 49,863**

[22] **Filed: Feb. 1, 1996**

[51] **LOC (6) Cl. 07-01**

[52] **U.S. Cl. D7/608**

[58] **Field of Search D7/605-608; D9/500, D9/503, 517; 215/12.1, 13.1, 384; 220/4.21, 410, 411, 737, 739**

[56] **References Cited**

U.S. PATENT DOCUMENTS

D. 308,793	6/1990	Bartolo	D7/608
D. 325,494	4/1992	Gentry	D7/608
3,092,277	6/1963	Brim	215/12.1
4,215,785	8/1980	Schwaiger	215/12.1 X
4,510,769	4/1985	McClellan, Jr.	215/12.1 X
4,632,273	12/1986	Rhine	220/411
5,390,804	2/1995	Beggins	215/100 R

FOREIGN PATENT DOCUMENTS

507595	9/1920	France	215/384
--------	--------	--------	-------	---------

OTHER PUBLICATIONS

Modernity Packaging, Nov. 1977, p. 6 bottle, left side of page.

Primary Examiner—Sandra L. Morris
Attorney, Agent, or Firm—Melvin I. Stoltz

[57] **CLAIM**

The ornamental design for an insulated holding system for containers of consumable liquids, as shown and described.

DESCRIPTION

FIG. 1 is an exploded perspective view of the insulated holding system for containers of consumable liquids showing my new design;

FIG. 2 is a front elevational view thereof, the opposite side being identical;

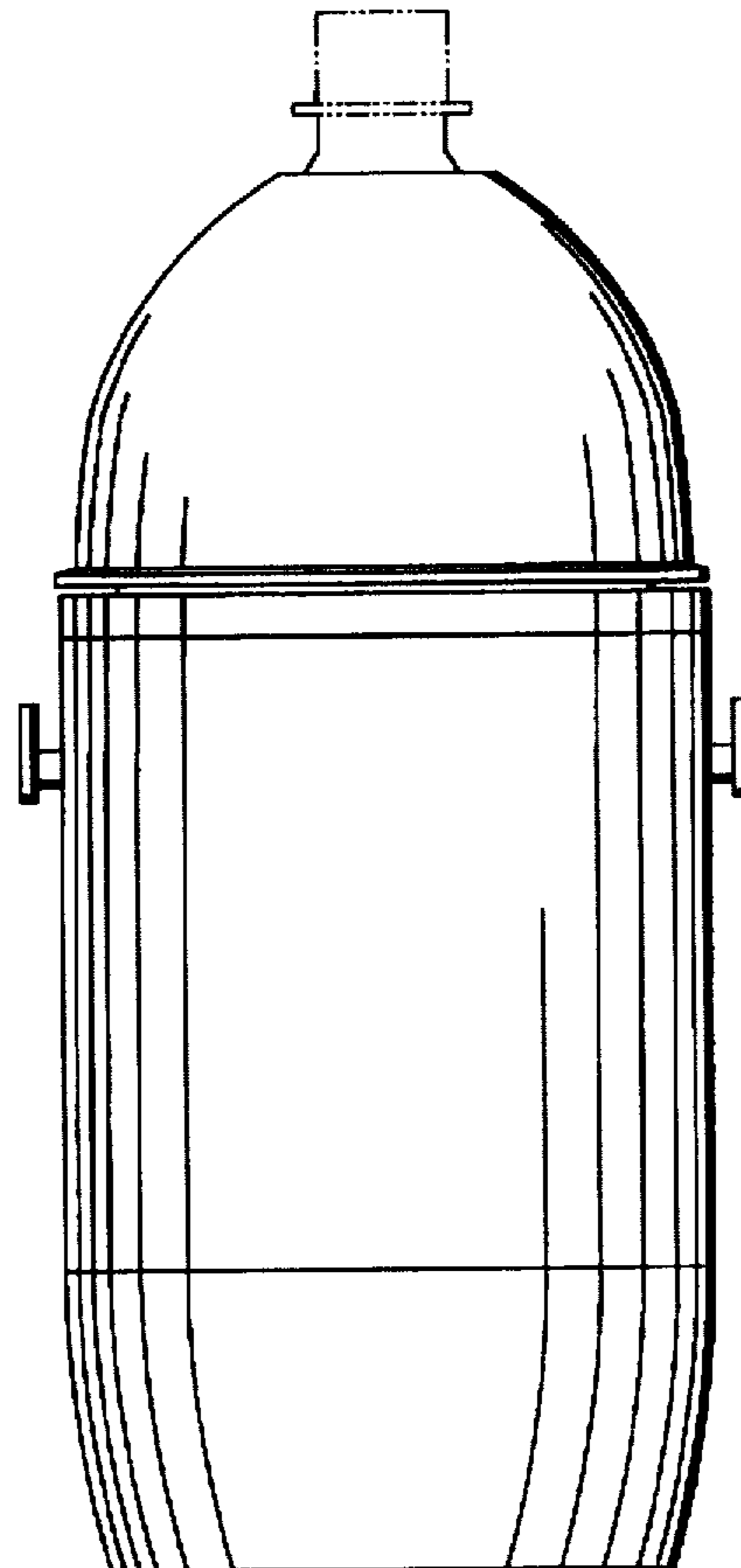
FIG. 3 is a top plan view thereof;

FIG. 4 is a bottom plan view thereof; and,

FIG. 5 side elevational view thereof, the opposite side being identical.

The broken line showing of the bottle is for illustrative purposes only and forms no part of the claimed design.

1 Claim, 2 Drawing Sheets



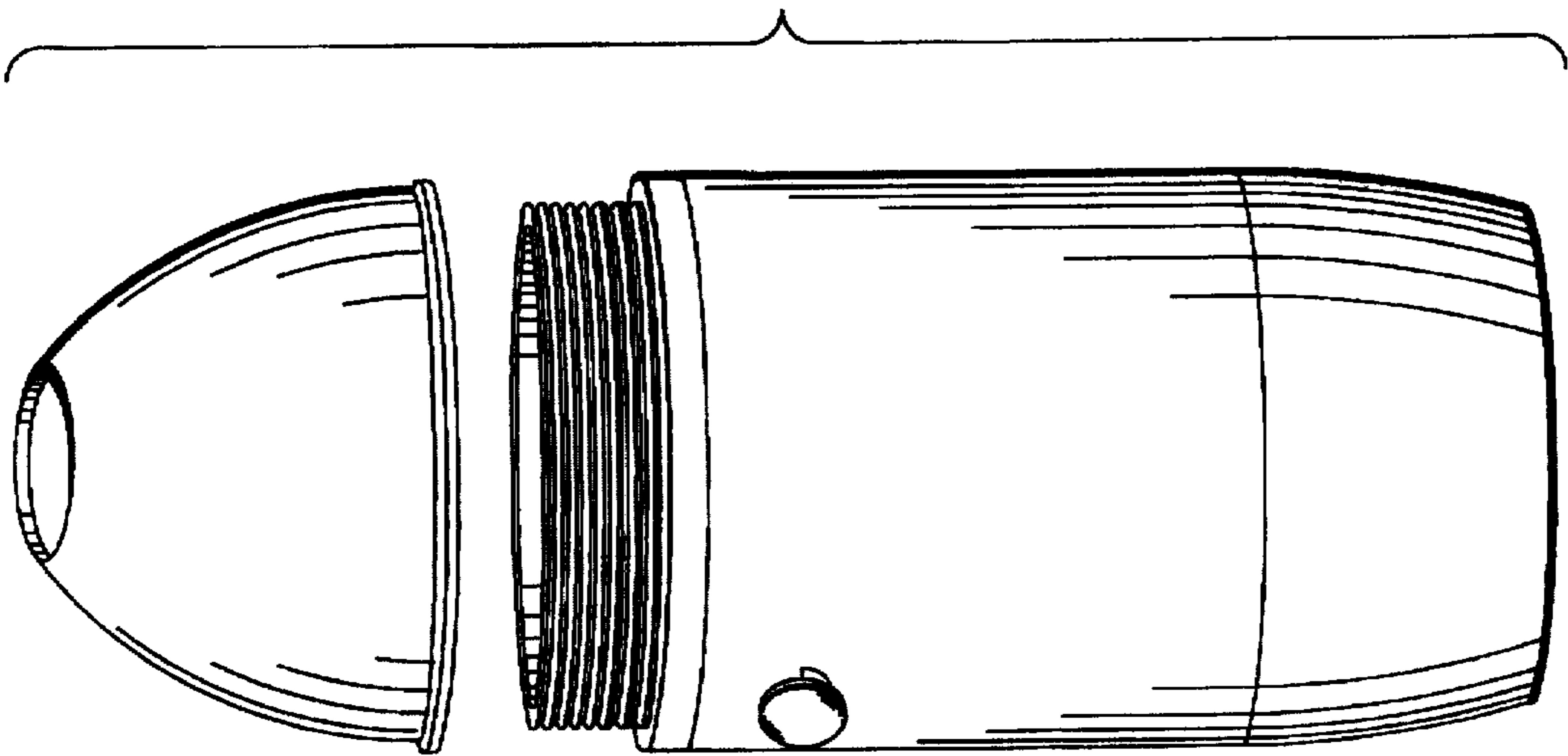


FIG. 1

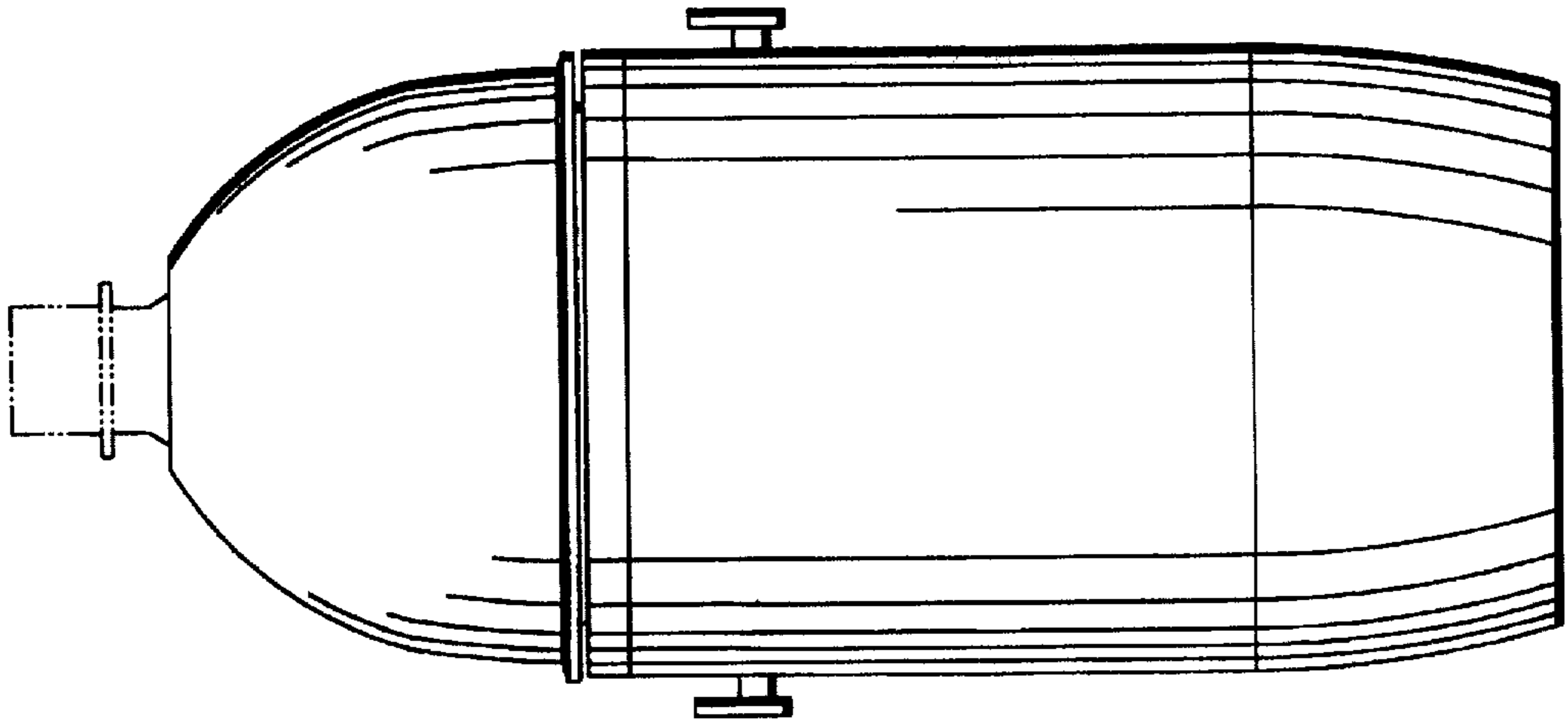


FIG. 2

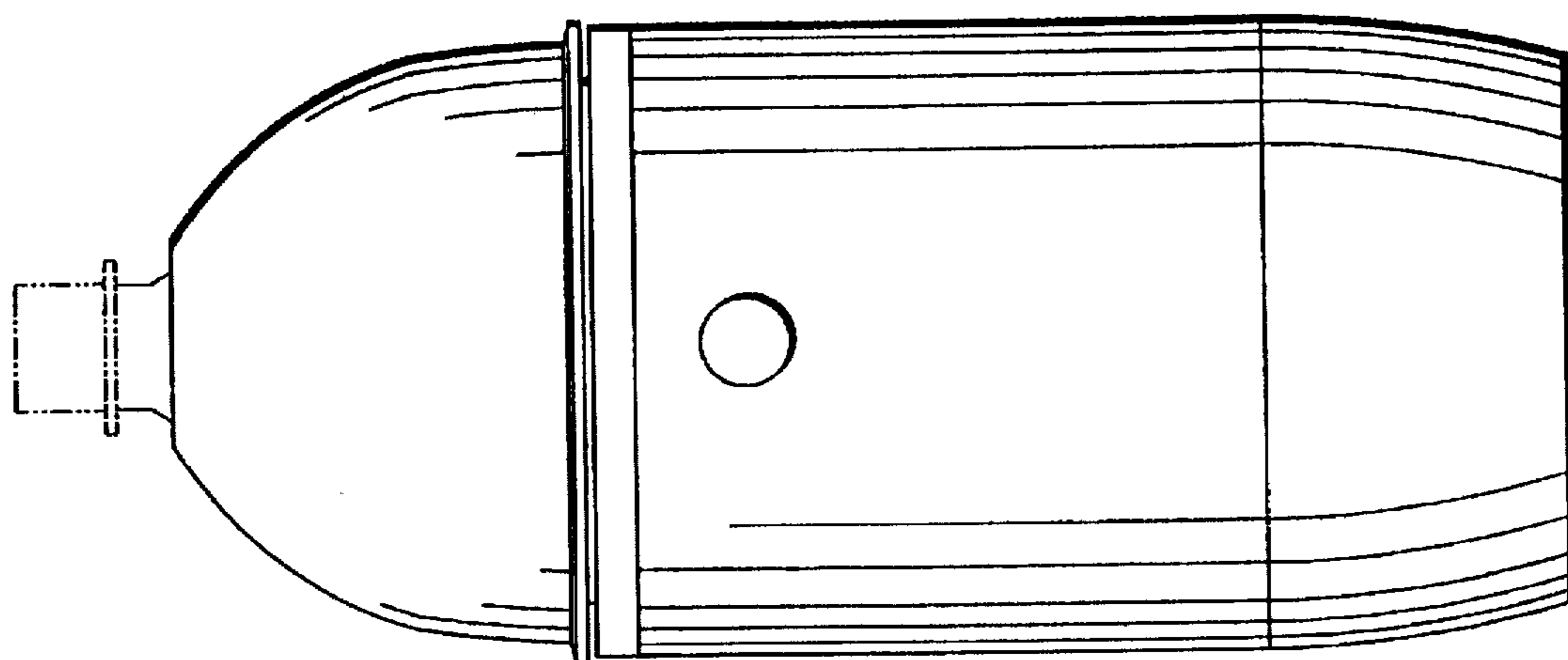


FIG. 5

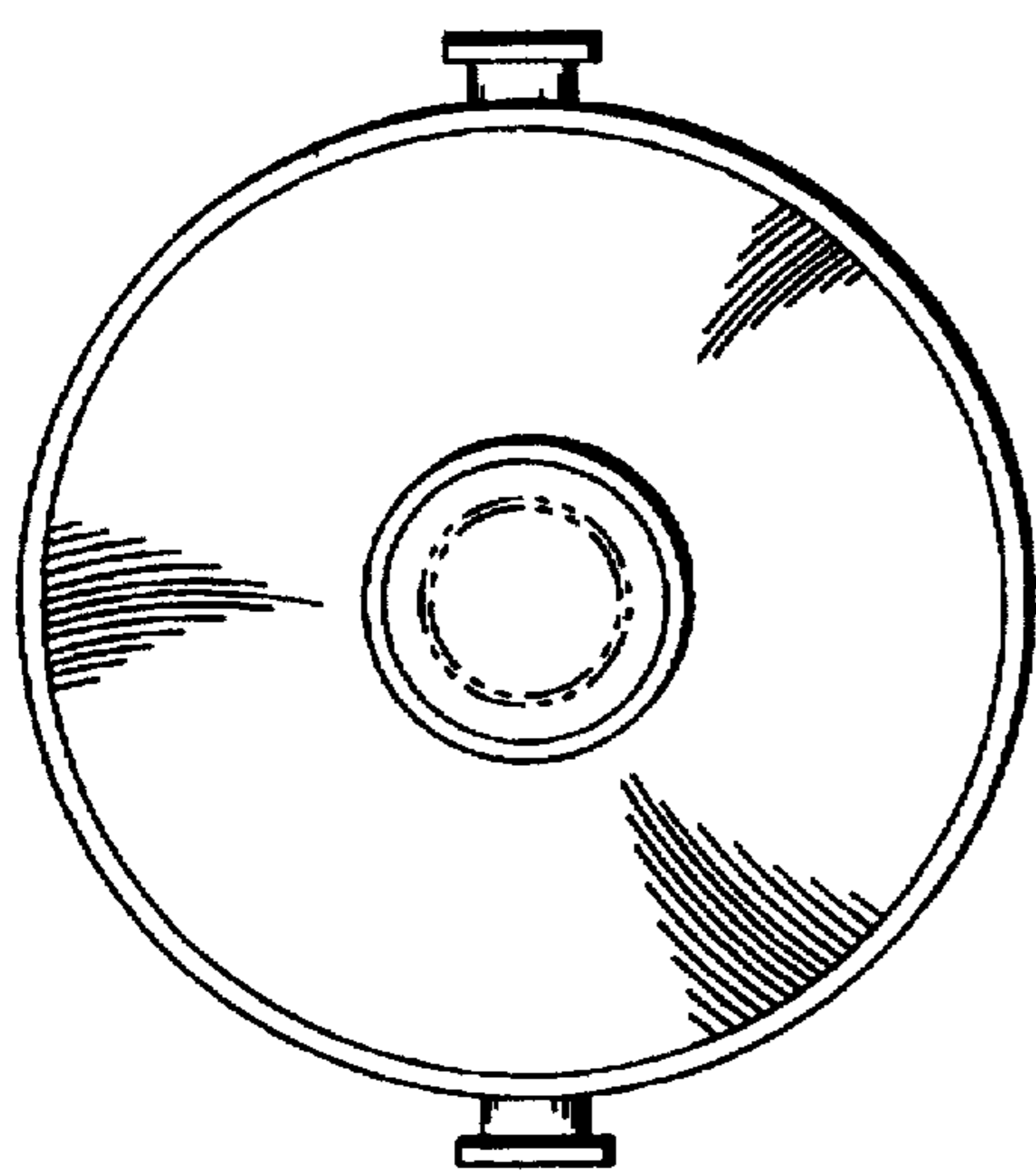


FIG. 3

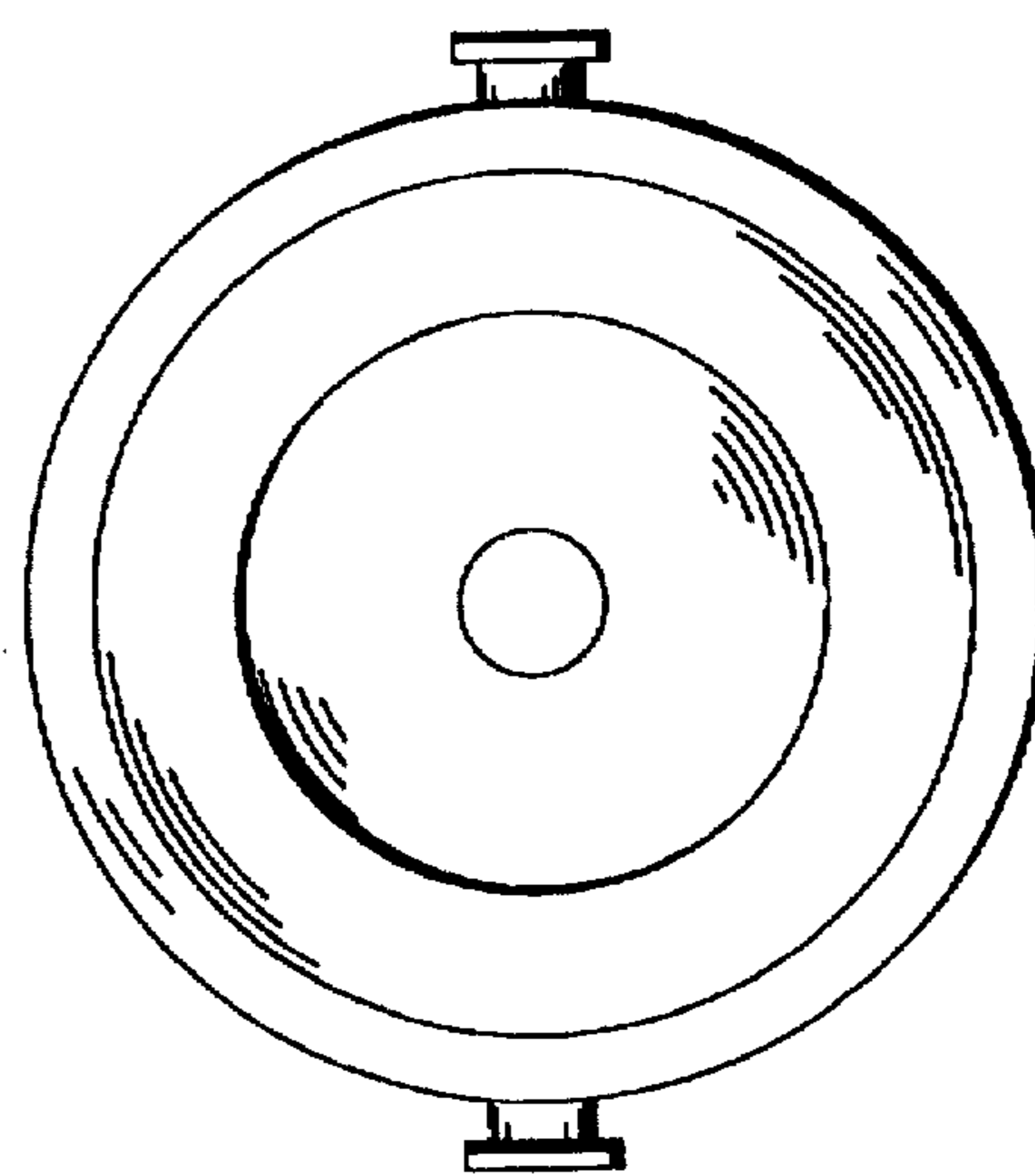


FIG. 4