



US00D390754S

United States Patent [19] Bank

[11] Patent Number: **Des. 390,754**

[45] Date of Patent: ****Feb. 17, 1998**

[54] **COMBINED CONDIMENT AND FOOD
HOLDER**

[76] Inventor: **Mort Bank**, P.O. Box 2448, Bismarck,
N. Dak. 58502

[**] Term: **14 Years**

[21] Appl. No.: **67,088**

[22] Filed: **Mar. 4, 1997**

[51] LOC (6) Cl. **07-06**

[52] U.S. Cl. **D7/590; D6/405; D7/704**

[58] Field of Search **D6/403, 405, 459,
D6/461; D7/590, 704; D11/143, 152; 211/74,
181.1; 220/23.83; 248/175; 294/143, 146**

[56] **References Cited**

U.S. PATENT DOCUMENTS

| | | | |
|------------|---------|----------------------|-----------|
| D. 81,920 | 9/1930 | Deligianes | D7/590 |
| 88,911 | 4/1869 | Searles | 211/74 |
| 176,894 | 5/1876 | Sherwood et al. | 211/74 |
| D. 189,683 | 1/1961 | Bloomfield | D7/590 |
| D. 377,874 | 2/1997 | Wright | D6/405 X |
| 933,142 | 9/1909 | Vogt | 211/62 |
| 1,033,583 | 7/1912 | Hart | 248/153 |
| 1,225,870 | 5/1917 | Schwing | 211/74 |
| 1,643,450 | 9/1927 | Heloian | 211/74 |
| 1,889,669 | 11/1932 | Knipe | 211/85.23 |

| | | | |
|-----------|---------|----------------------|-----------|
| 2,140,743 | 12/1938 | Heymann | 211/74 |
| 2,302,446 | 11/1942 | Kincaid | 294/146 |
| 2,550,355 | 4/1951 | James | 211/74 |
| 2,553,764 | 5/1951 | Hawkins | 294/162 |
| 3,000,532 | 9/1961 | Miklich | 220/23.4 |
| 3,013,758 | 12/1961 | Smith | 248/153 |
| 3,028,038 | 4/1962 | Van Wyngarden | 220/23.83 |
| 3,194,403 | 7/1965 | Van Horn, Jr. | D6/405 X |
| 3,353,717 | 11/1967 | Edwards | 222/132 |
| 3,738,525 | 6/1973 | Knapp | 220/23.4 |
| 5,558,236 | 9/1996 | Williams et al. | 211/74 |

Primary Examiner—Terry A. Wallace
Attorney, Agent, or Firm—Haugen & Nikolai, P.A.

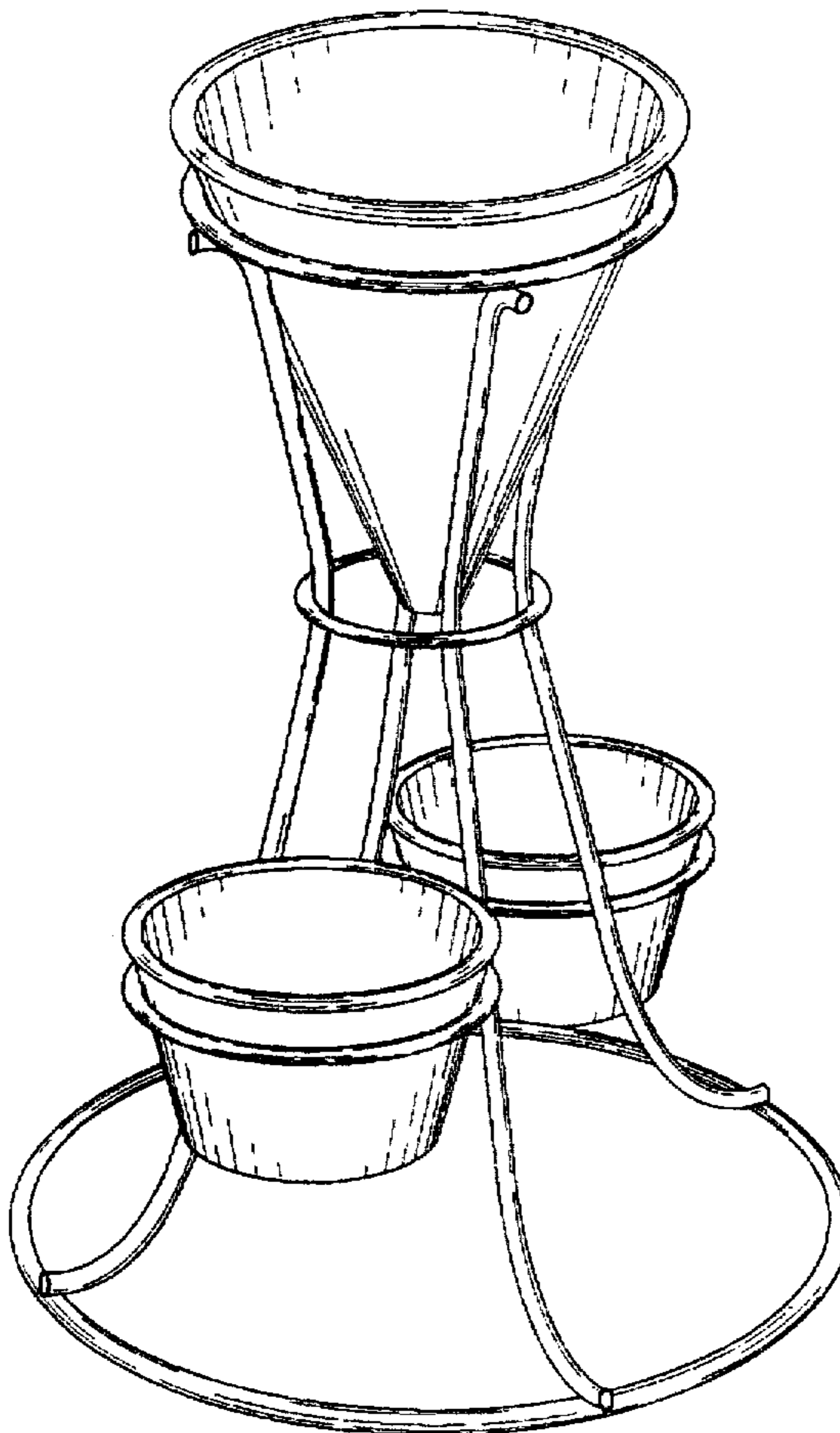
[57] **CLAIM**

The ornamental design for the “combined condiment and food holder”, as shown and described.

DESCRIPTION

FIG. 1 is a perspective view of a combined condiment and food holder showing my new design;
FIG. 2 is a left side elevational view thereof;
FIG. 3 is a right side elevational view thereof;
FIG. 4 is a bottom plan view thereof having the cone removed for clarity; and,
FIG. 5 is a top plan view thereof having the cone removed for clarity.

1 Claim, 3 Drawing Sheets



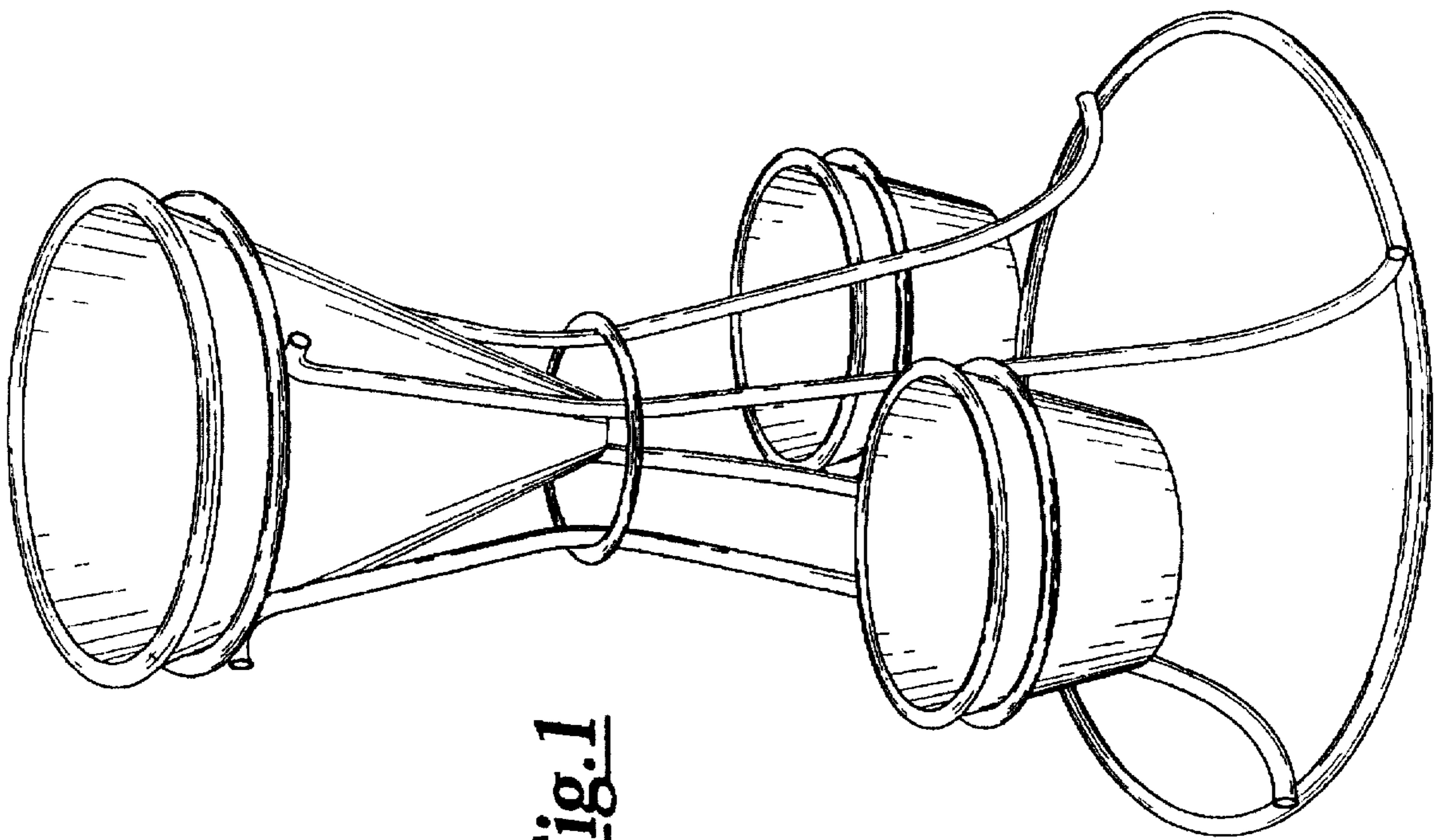


Fig. 1

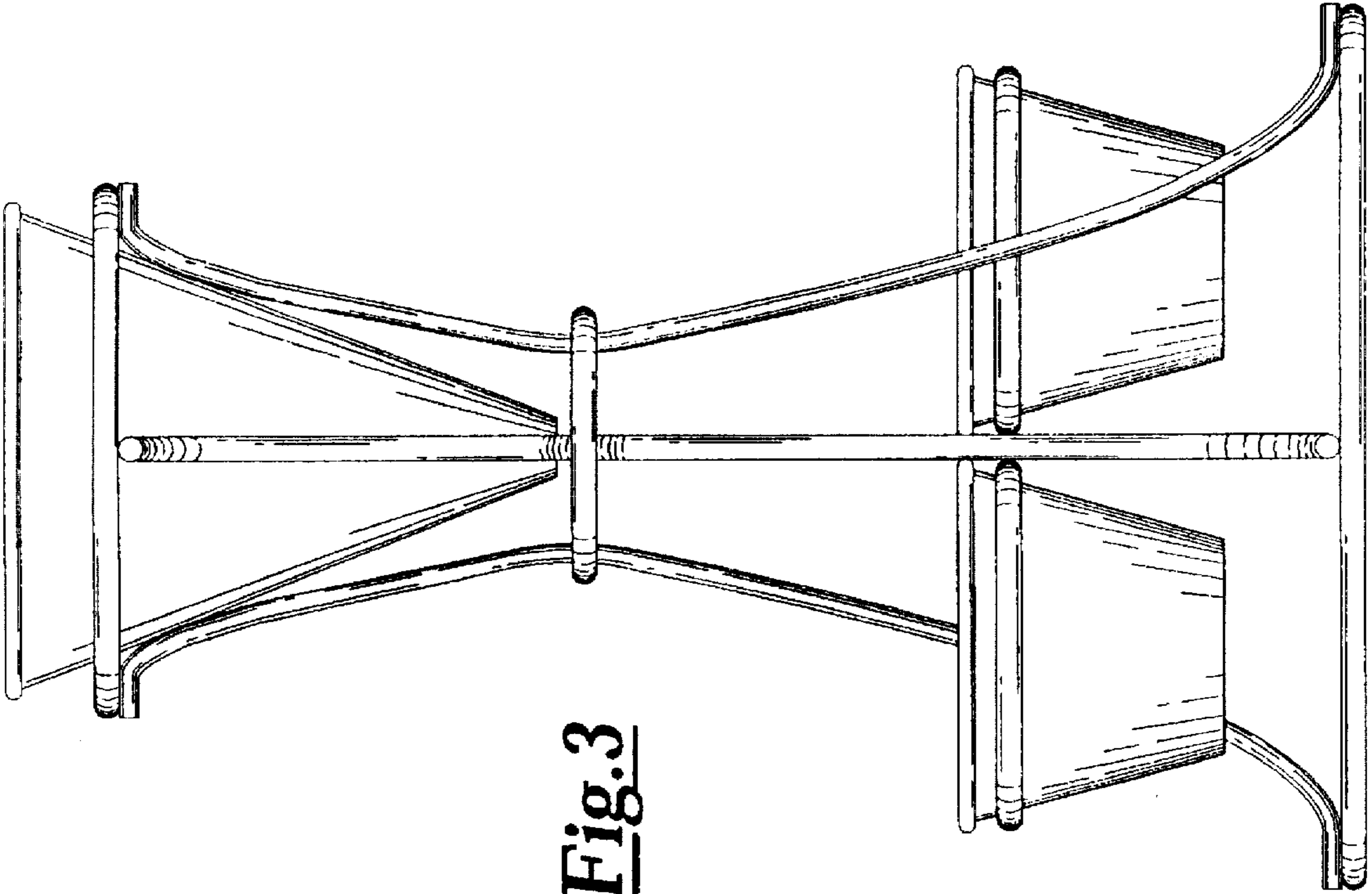


Fig. 3

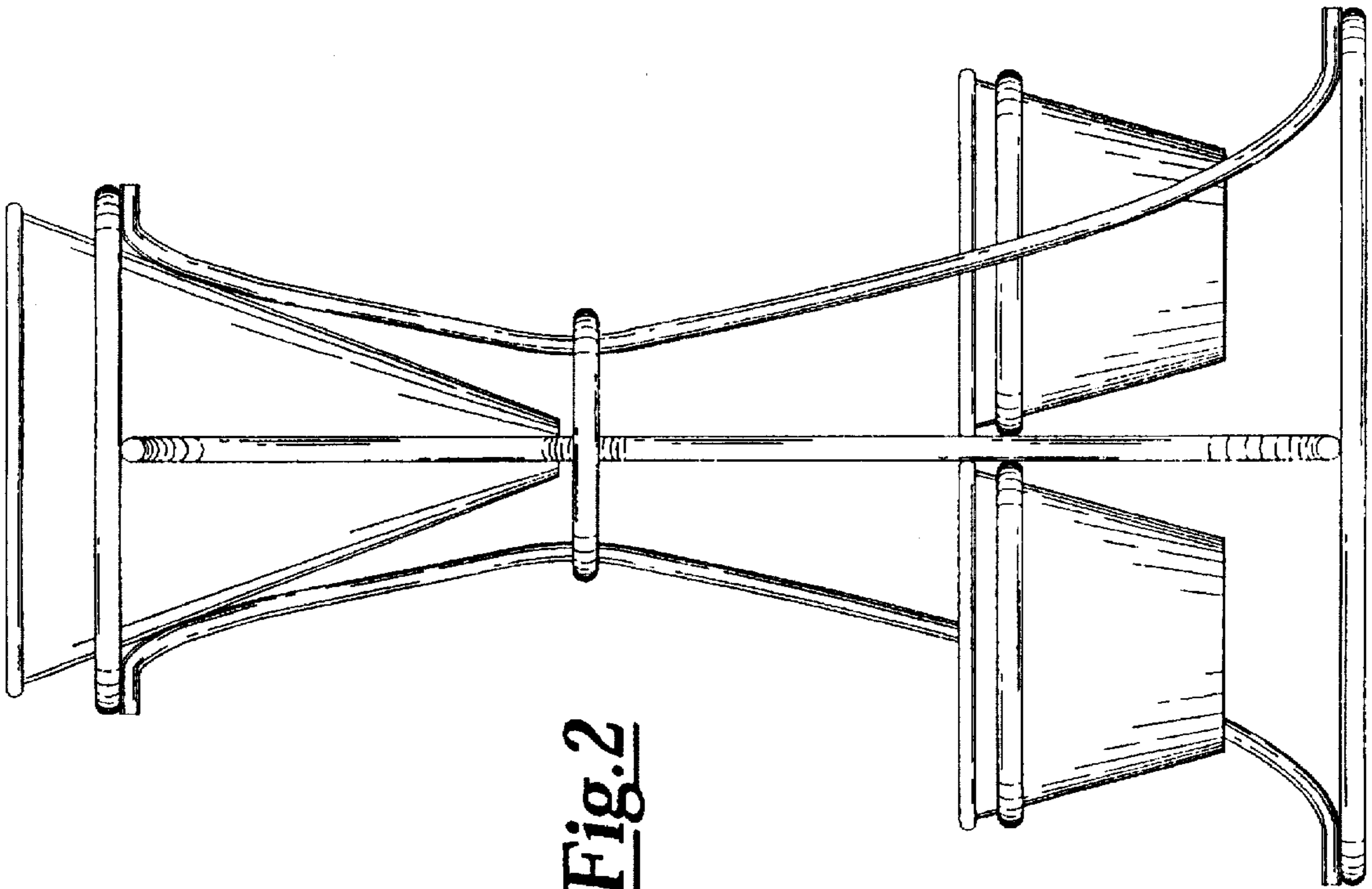


Fig. 2

Fig. 5

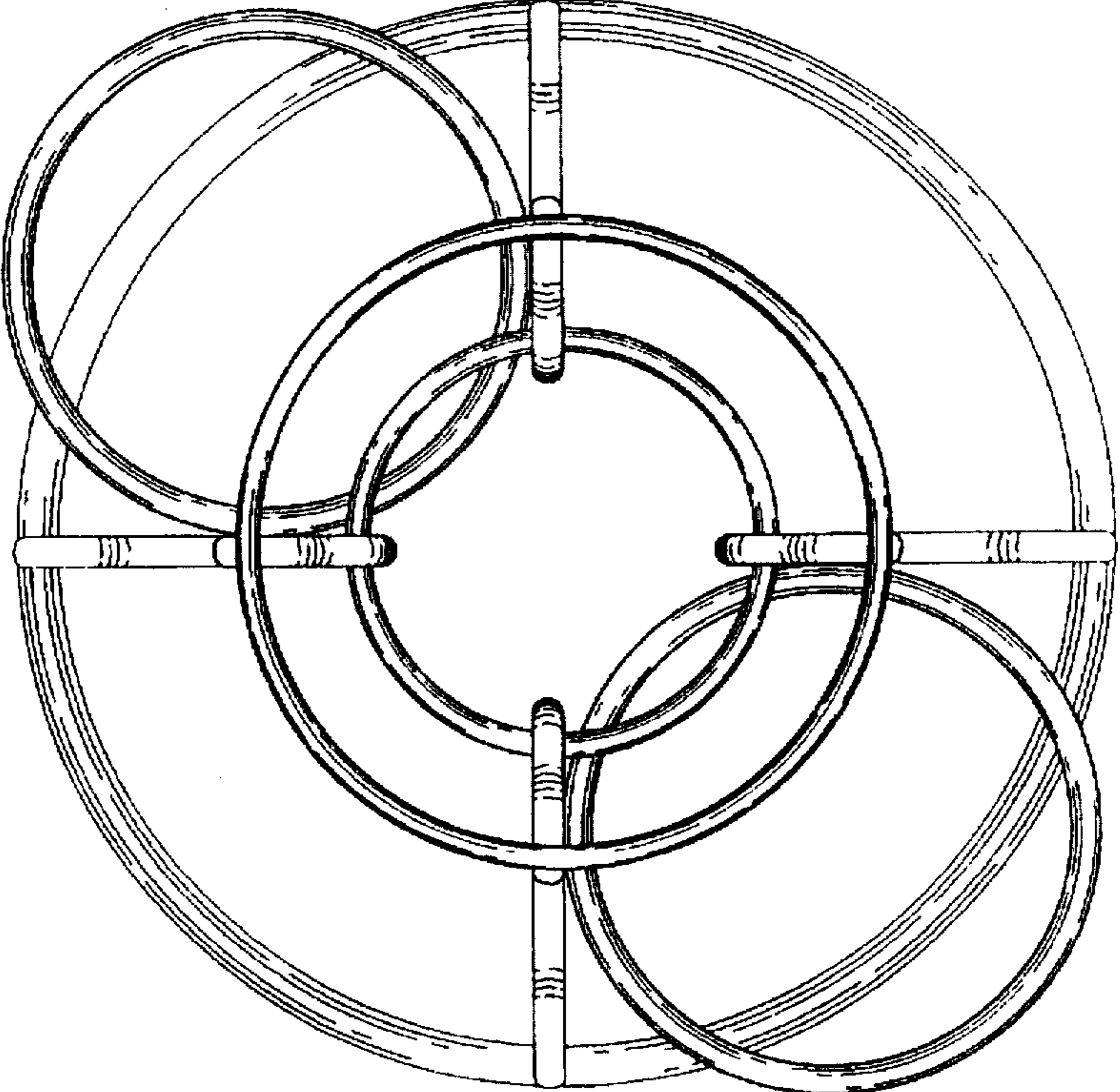


Fig. 4

