

US00D390747S

United States Patent [19]
Joergensen

[11] **Patent Number: Des. 390,747**
[45] **Date of Patent: **Feb. 17, 1998**

[54] **FILTER FOR ELECTRIC WATER KETTLES**

[75] **Inventor: Carsten Joergensen, Kriens, Switzerland**

[73] **Assignee: PI-Design AG, Triengen, Switzerland**

[**] **Term: 14 Years**

[21] **Appl. No.: 56,774**

[22] **Filed: Jul. 9, 1996**

[51] **LOC (6) Cl. 07-99**

[52] **U.S. Cl. D7/400**

[58] **Field of Search D7/400, 510, 507, D7/300; D23/209; 210/499, 495, 455, 282, 473, 474**

[56] **References Cited**

U.S. PATENT DOCUMENTS

D. 23,682	10/1894	Ingalls	D7/510	X
D. 348,588	7/1994	Yasunaga	D7/510	
3,400,855	9/1968	Alexander	D7/510	X
3,980,563	9/1976	Greutert et al.	D7/400	X
4,376,053	3/1983	Bullock et al.	D23/209	X

Primary Examiner—M. N. Pandozzi
Attorney, Agent, or Firm—Merchant, Gould, Smith, Edell, Welter & Schmidt, P.A.

[57] **CLAIM**

The ornamental design for a filter for electric water kettles, as shown and described.

DESCRIPTION

FIG. 1 is an oblique perspective frontal view of the filter for electric water kettles;

FIG. 2 is a front elevational view thereof;

FIG. 3 is a rear elevational view thereof;

FIG. 4 is a left side elevational view thereof;

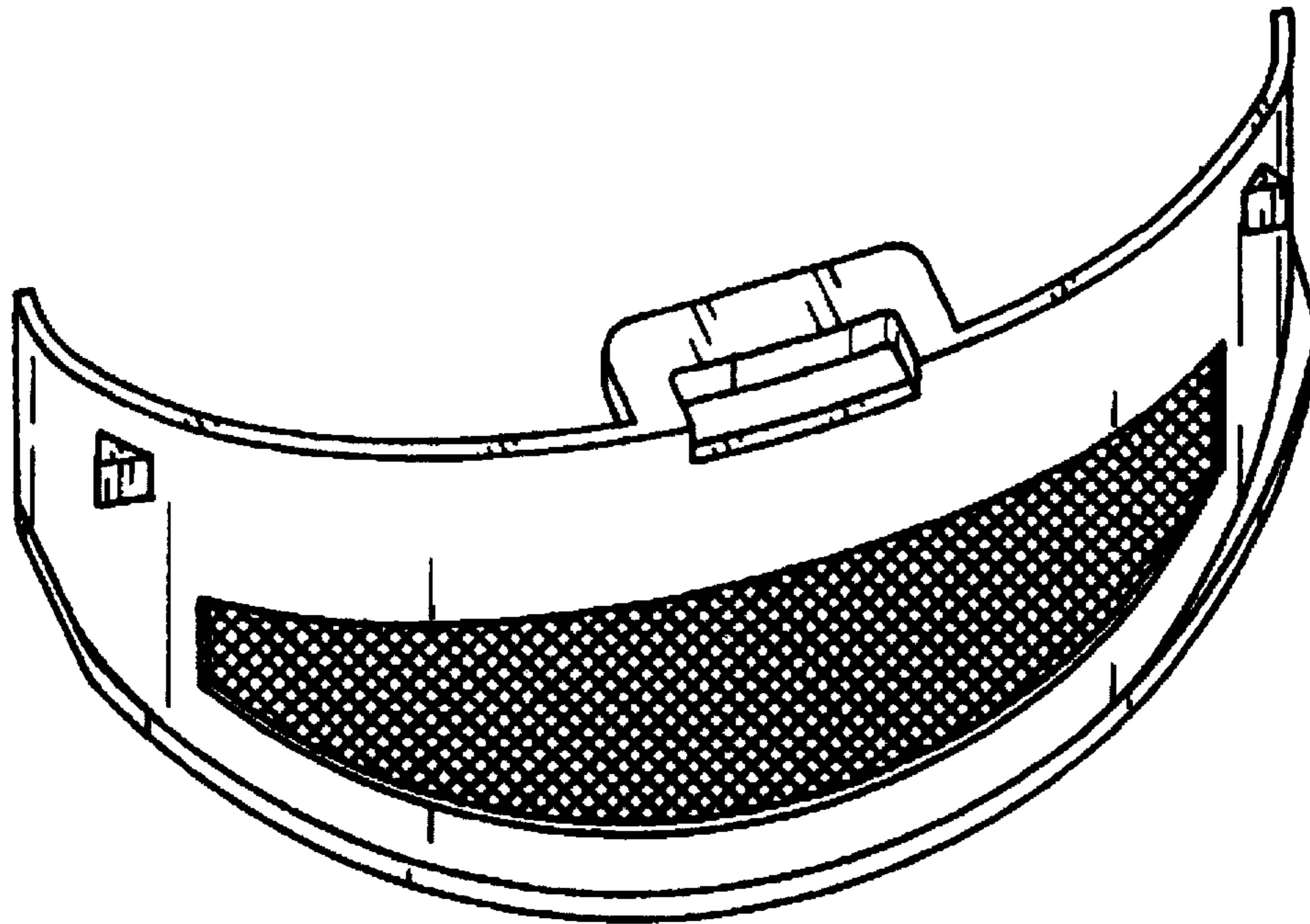
FIG. 5 is a right side elevational view thereof;

FIG. 6 is a top view of the filter for electric water kettles;

FIG. 7 is a bottom view of the filter for electric water kettles; and,

FIG. 8 is an oblique perspective rear view of the filter for electric water kettles.

1 Claim, 8 Drawing Sheets



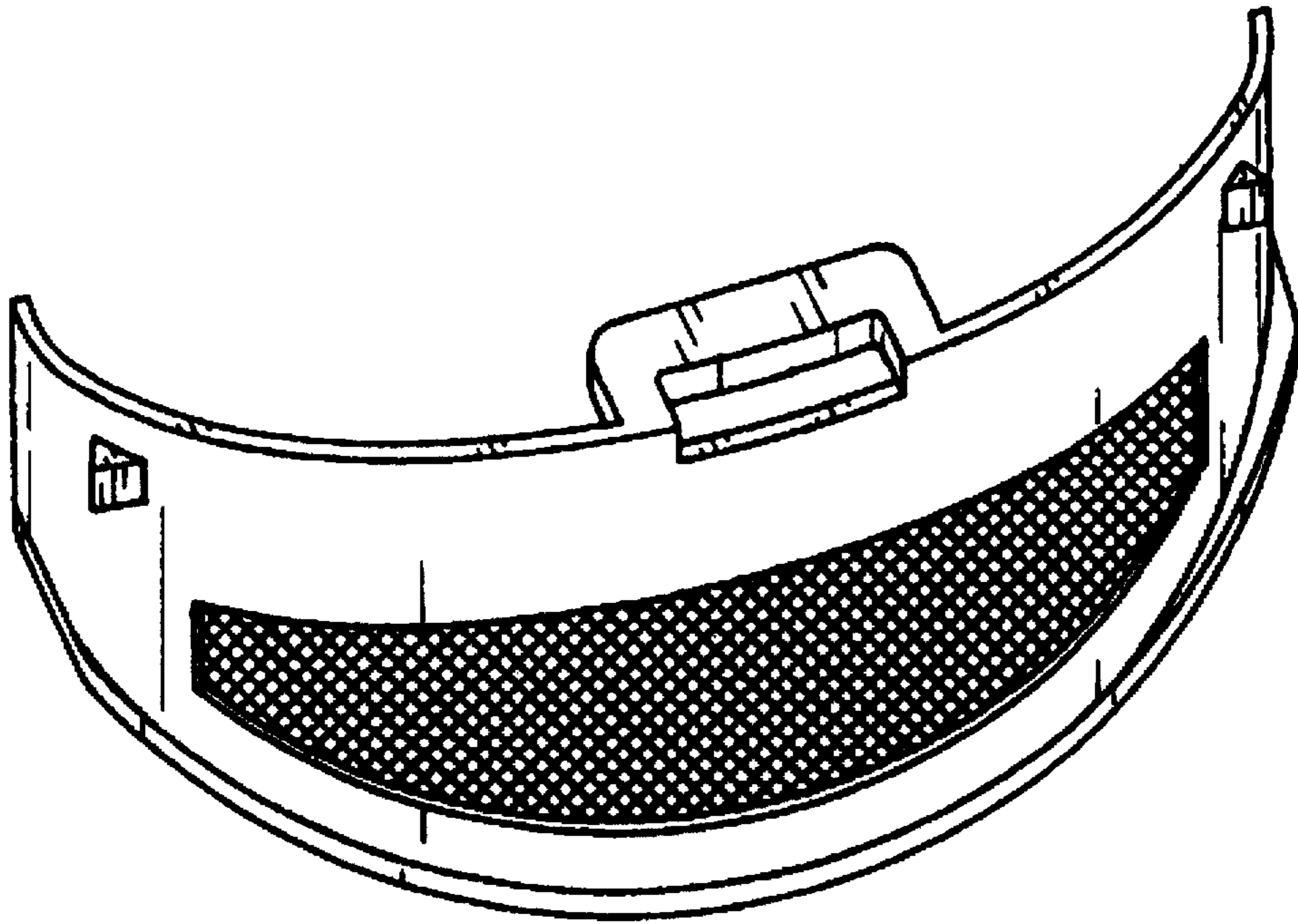


Fig. 1

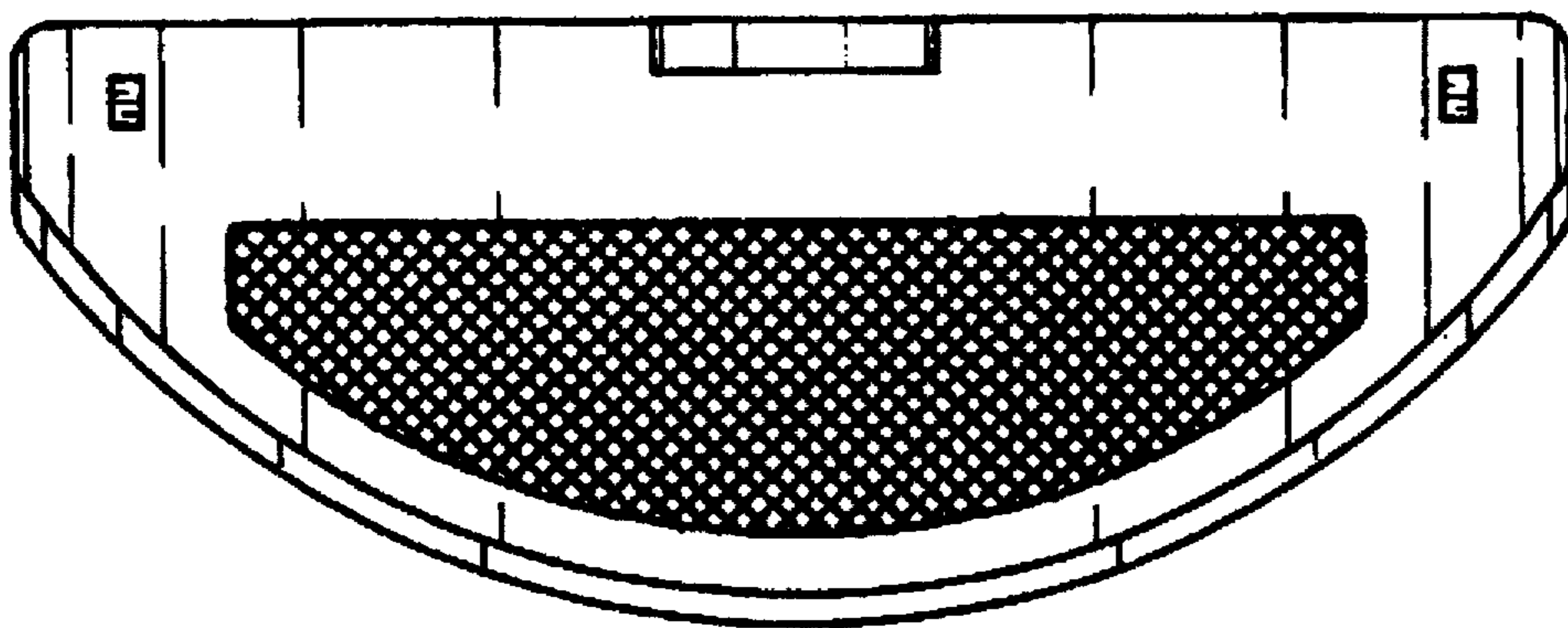


Fig. 2

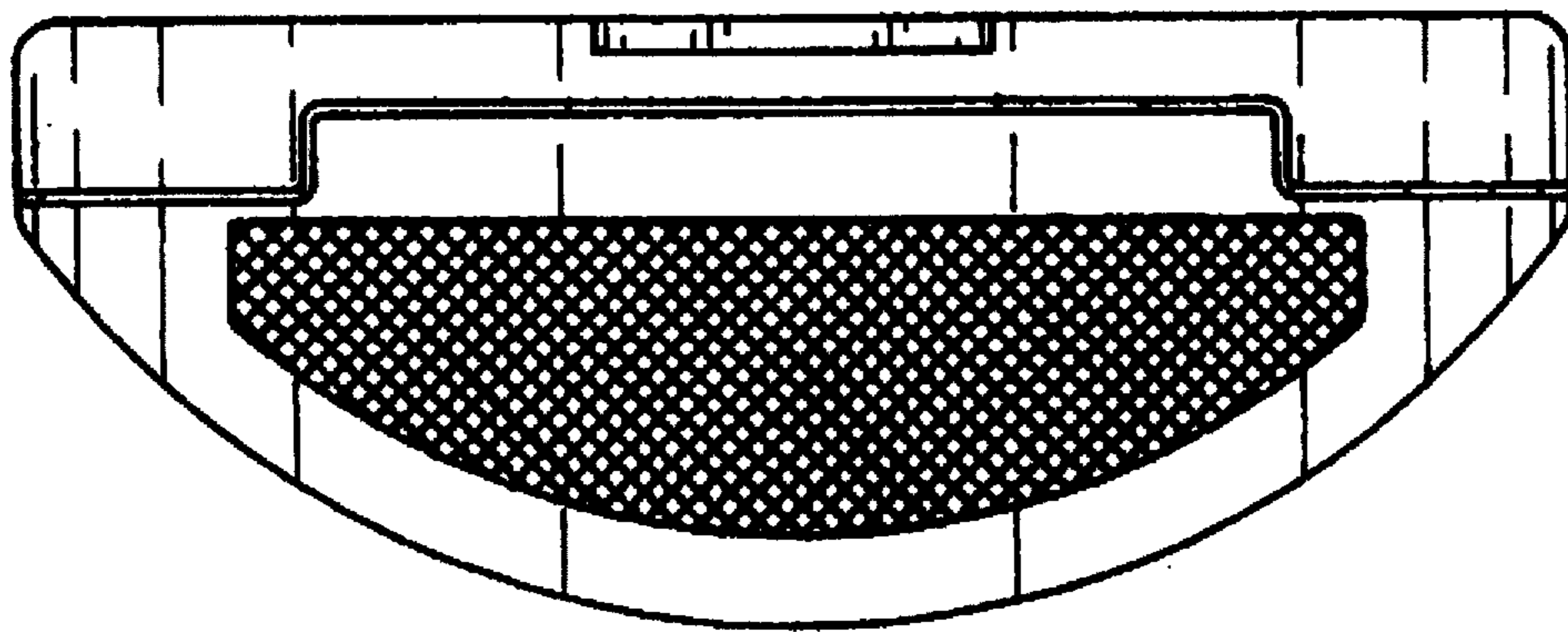


Fig. 3

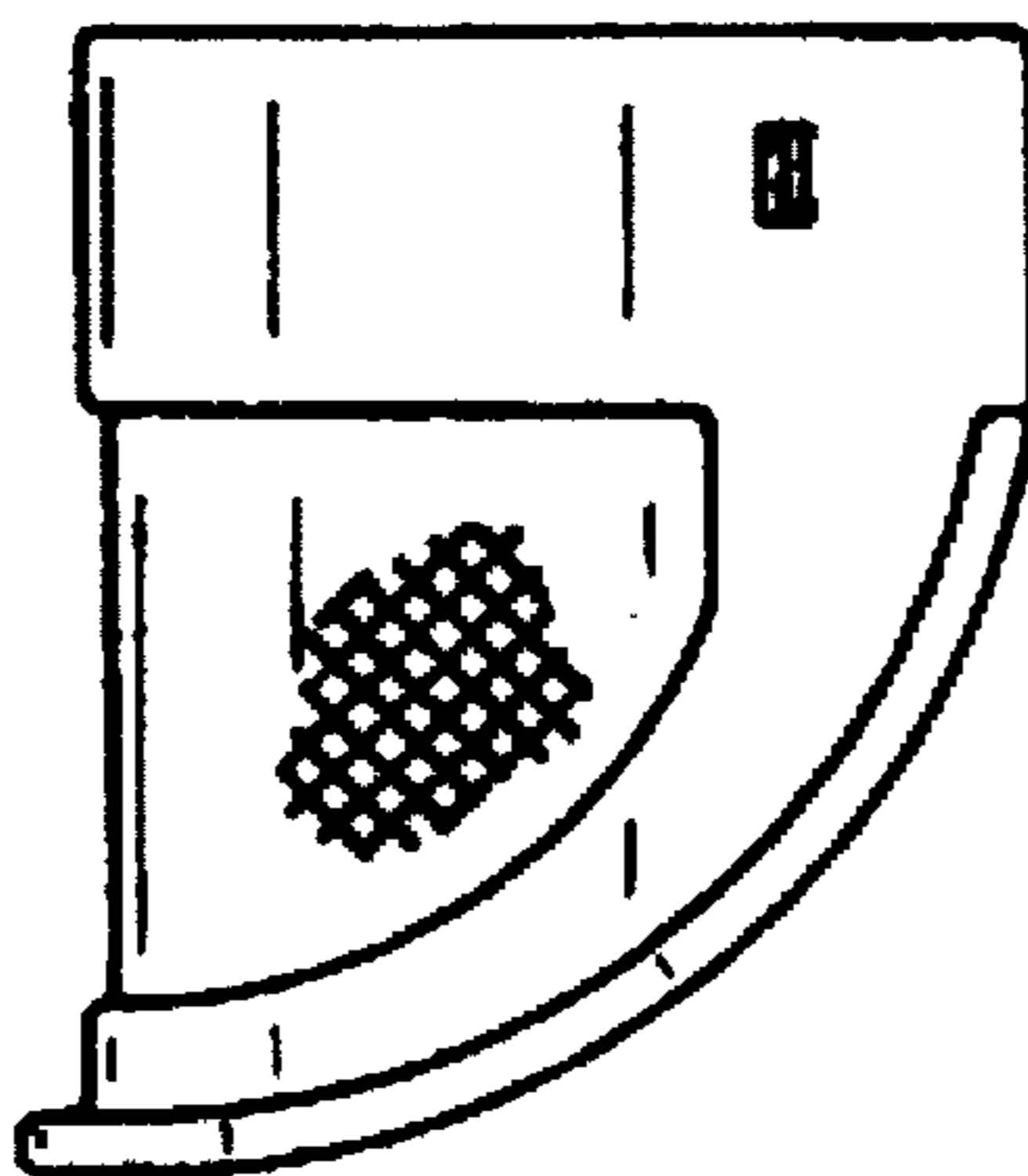


Fig. 4

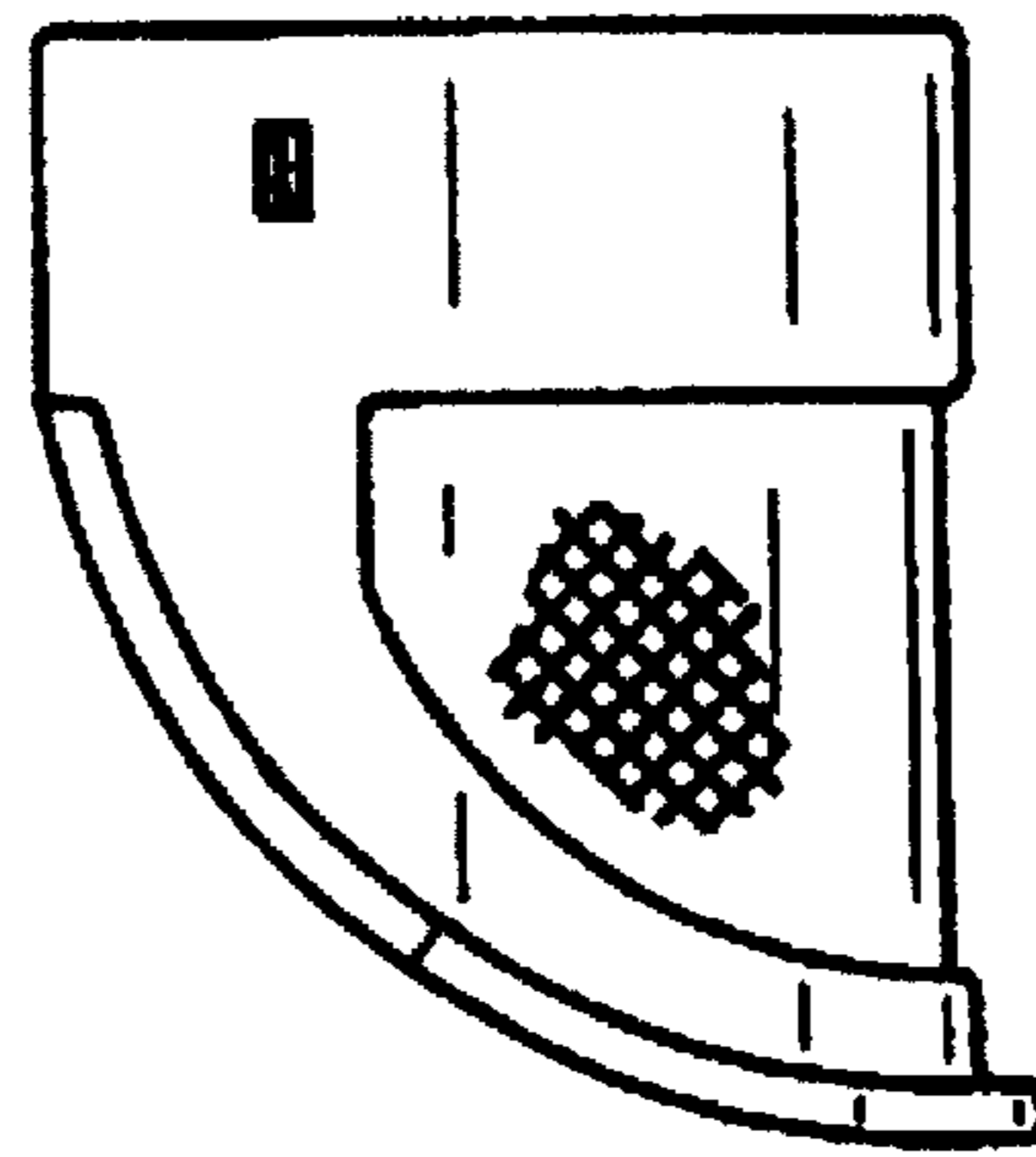


Fig. 5

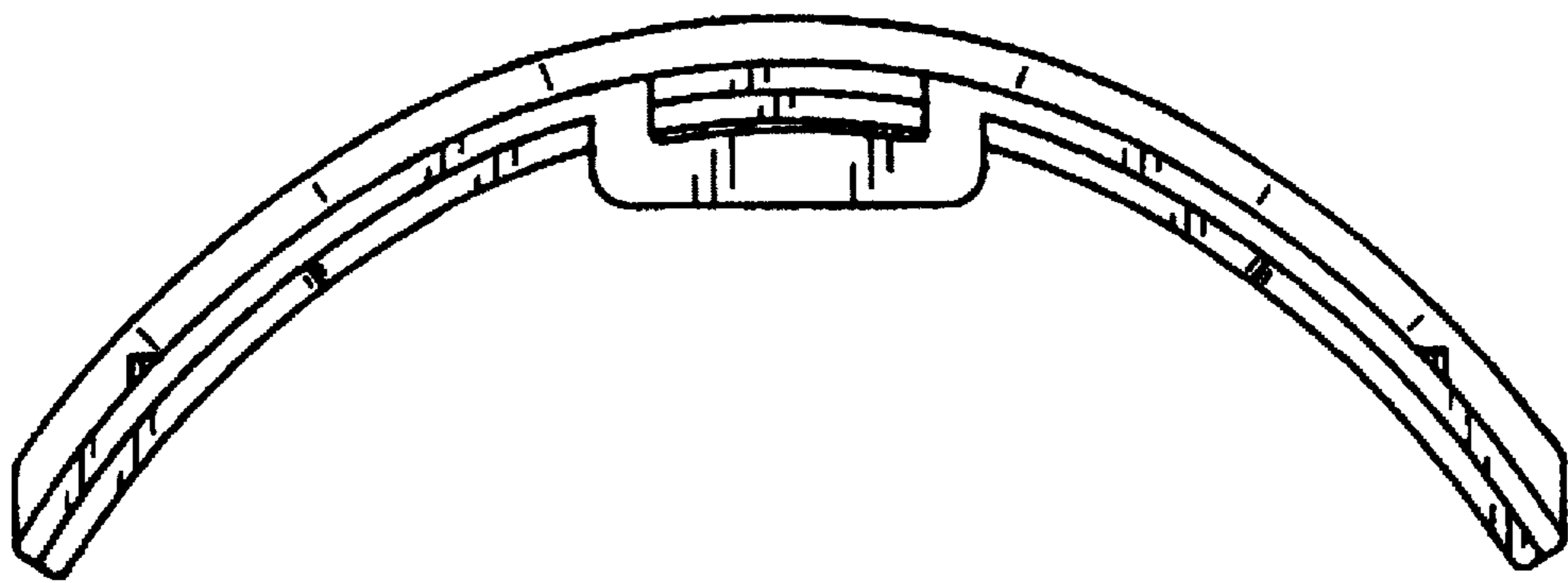


Fig. 6

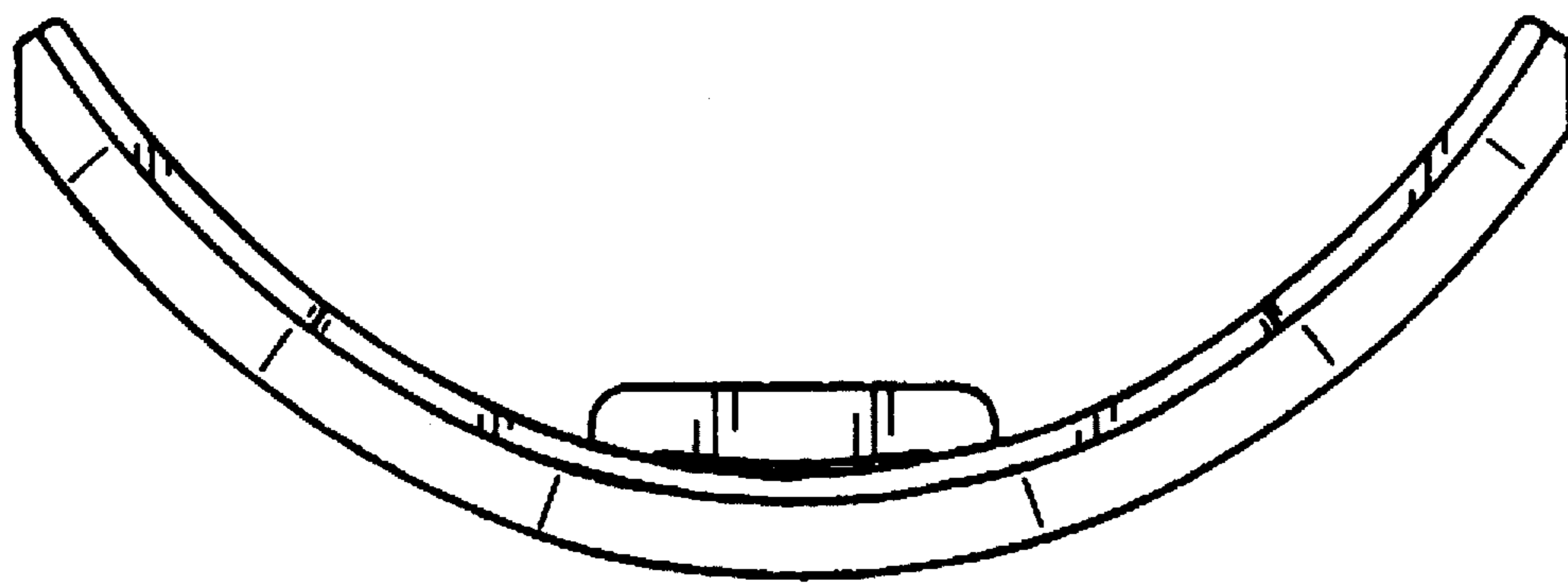


Fig. 7

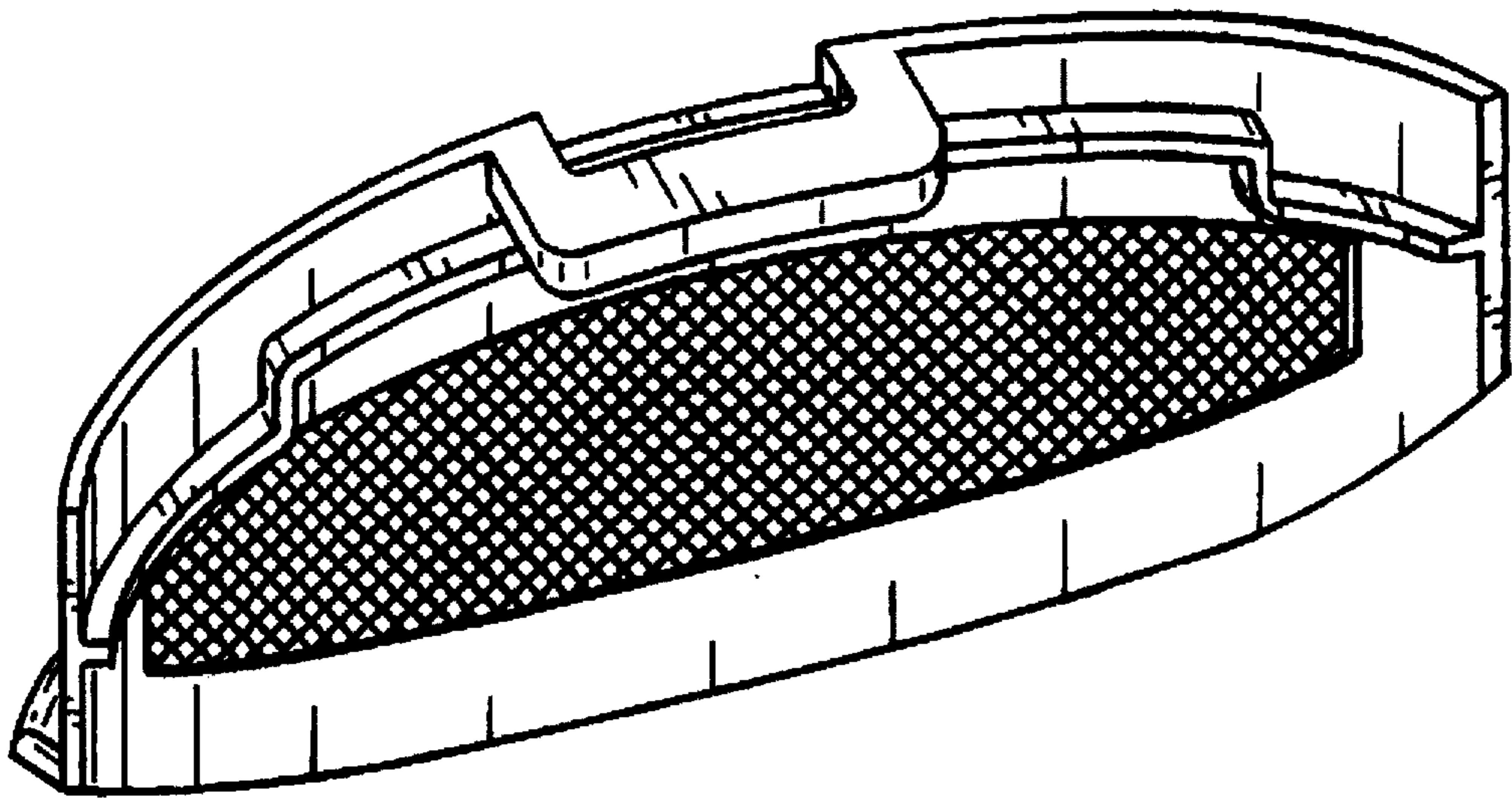


Fig. 8