



US00D390744S

# United States Patent [19] Otero

[11] Patent Number: **Des. 390,744**  
[45] Date of Patent: **\*\*Feb. 17, 1998**

[54] **TEAPOT WITH WARNING WHISTLE**

[75] Inventor: **Domingo Villar Otero, Vigo, Spain**

[73] Assignee: **Plasticos De Galicia, S.A., Vigo, Spain**

[\*\*] Term: **14 Years**

[21] Appl. No.: **64,533**

[22] Filed: **Jan. 3, 1997**

[30] **Foreign Application Priority Data**

Oct. 24, 1996 [ES] Spain ..... 138559

[51] LOC (6) Cl. .... **07-01**

[52] U.S. Cl. .... **D7/321; D7/312**

[58] Field of Search ..... D7/319, 301, 316,  
D7/300, 302, 303, 312, 317, 318, 322,  
305; 219/437; 222/475

[56] **References Cited**

### U.S. PATENT DOCUMENTS

D. 62,417 5/1923 Sander ..... D7/322  
D. 288,890 3/1987 Lebowitz ..... D7/322  
D. 302,093 7/1989 Palsby ..... D7/319 X

D. 369,058 4/1996 Simmons ..... D7/317 X  
3,218,435 11/1965 Mandziak ..... D7/312 X  
3,591,060 7/1971 Nakamara ..... D7/312 X

### OTHER PUBLICATIONS

King teakettle.Premium Practice, Jan. 1937, p. 16.

Primary Examiner—M. N. Pandozzi  
Attorney, Agent, or Firm—Bucknam and Archer

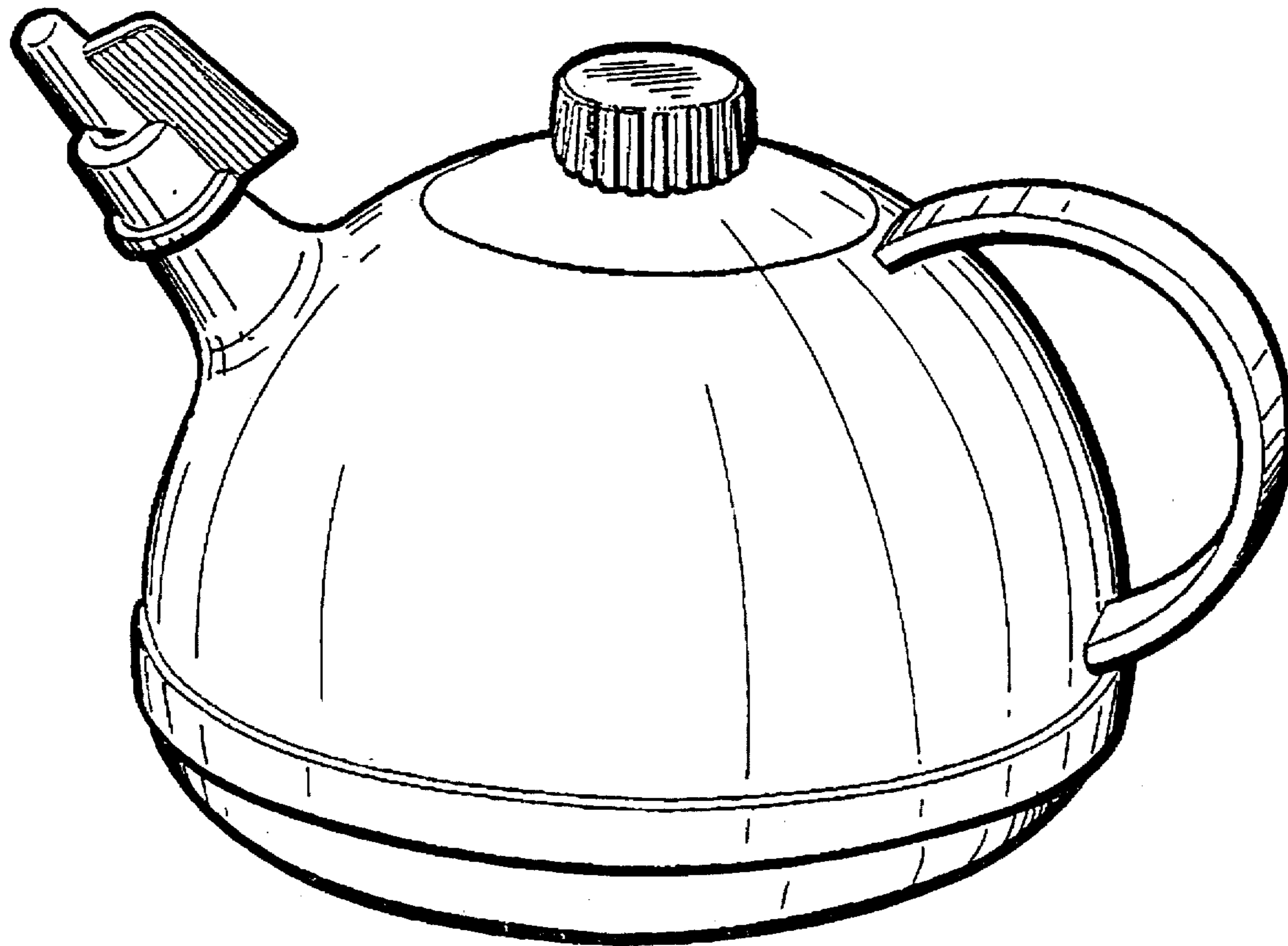
[57] **CLAIM**

The ornamental design for a teapot with warning whistle, as shown and described.

### DESCRIPTION

FIG. 1 is a front elevational view of a teapot with warning whistle showing my new design;  
FIG. 2 is the right side view of the teapot of FIG. 1;  
FIG. 3 is the top view of the teapot of FIG. 1;  
FIG. 4 is the bottom view of the teapot of FIG. 1;  
FIG. 5 is the left side view of the teapot of FIG. 1;  
FIG. 6 is the rear view of the teapot of FIG. 1; and,  
FIG. 7 is a front view in perspective of the teapot of FIG. 1.

**1 Claim, 3 Drawing Sheets**



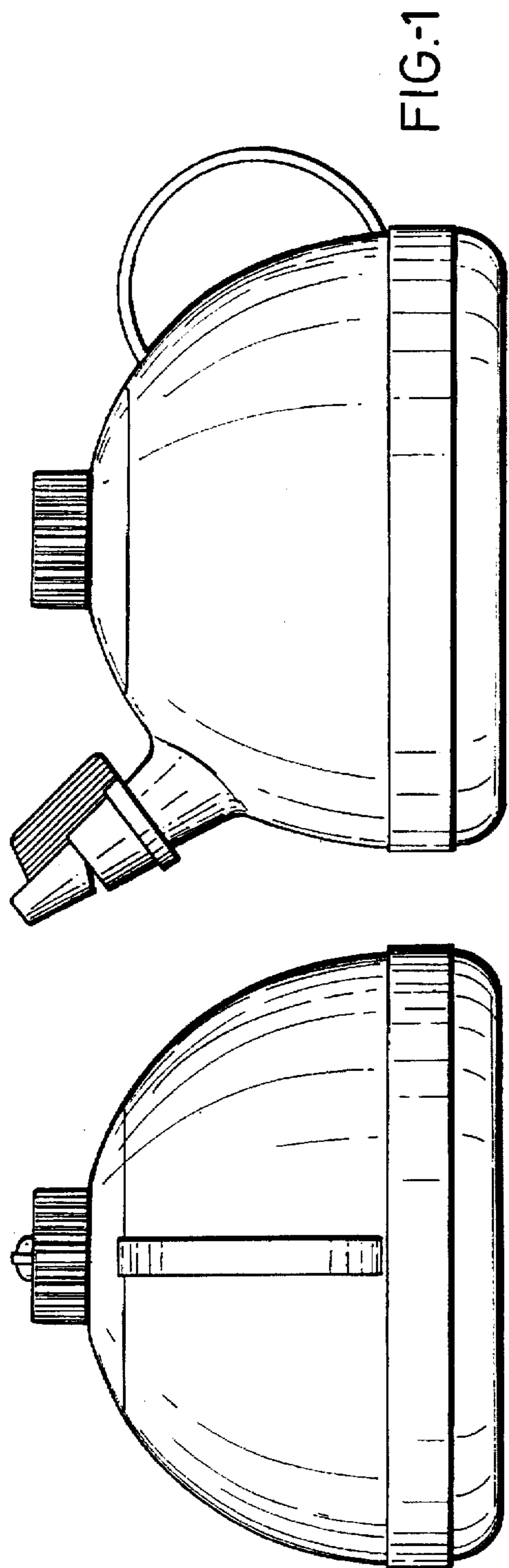


FIG. 1

FIG. 2

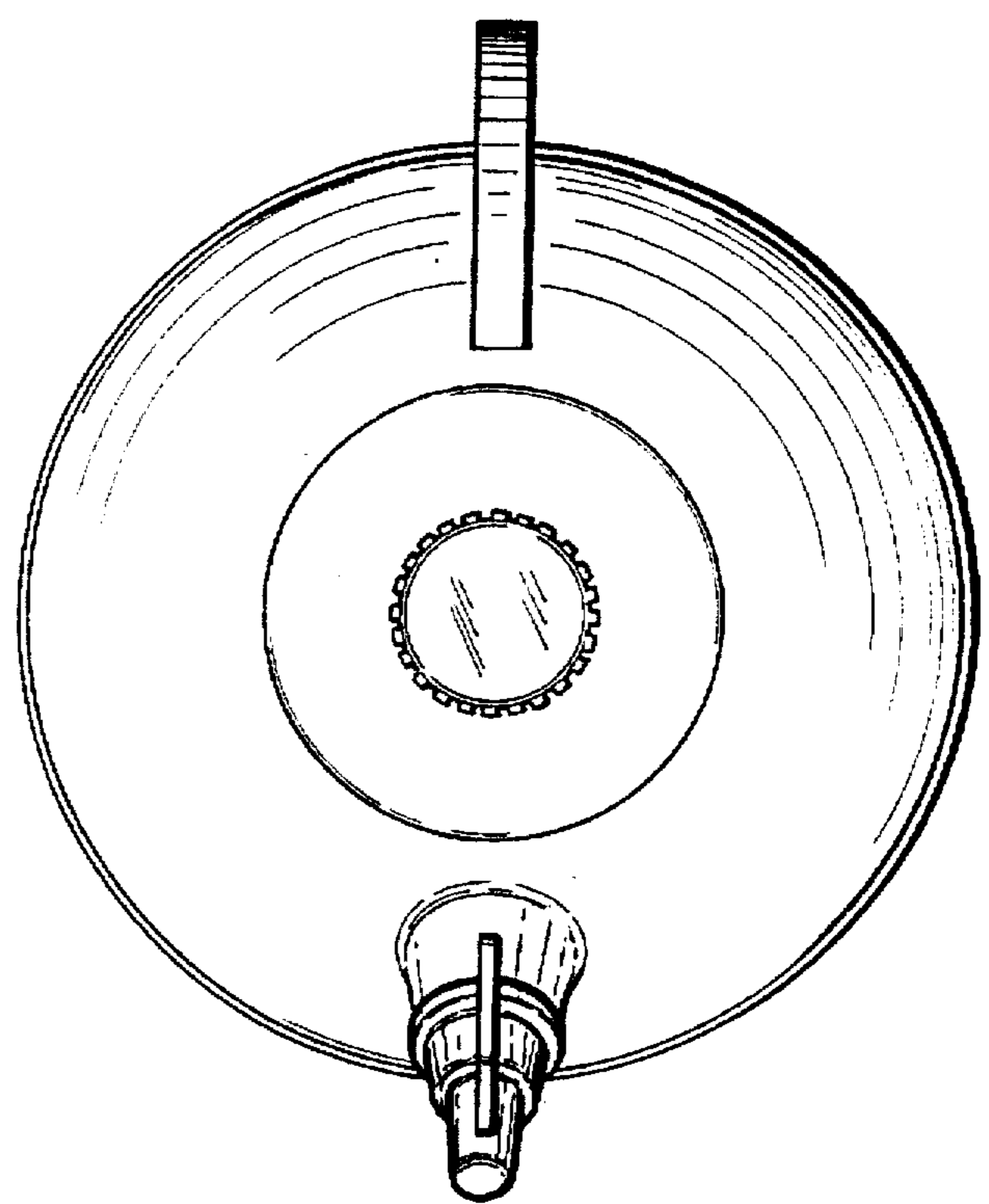


FIG. 3

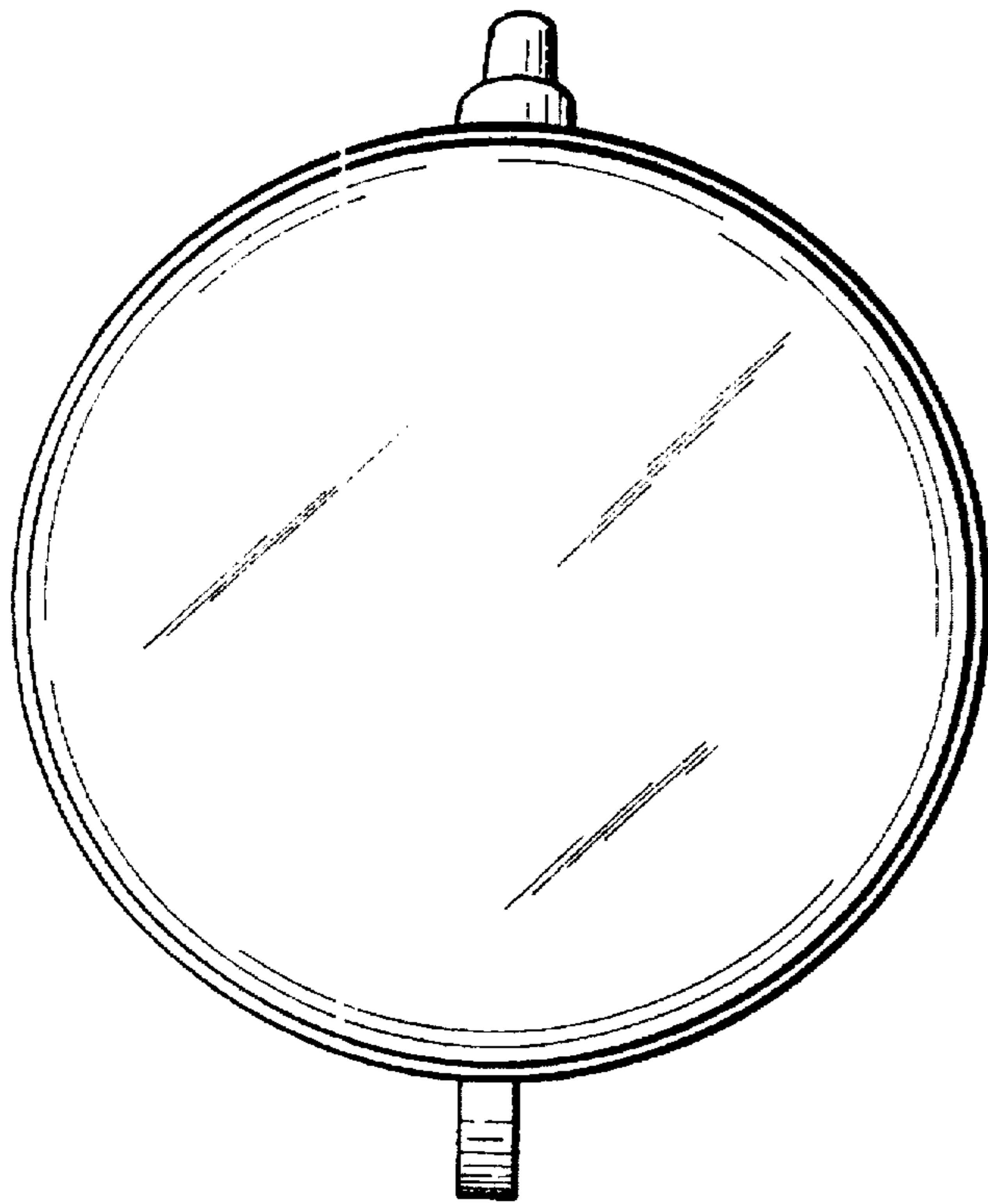


FIG.-4

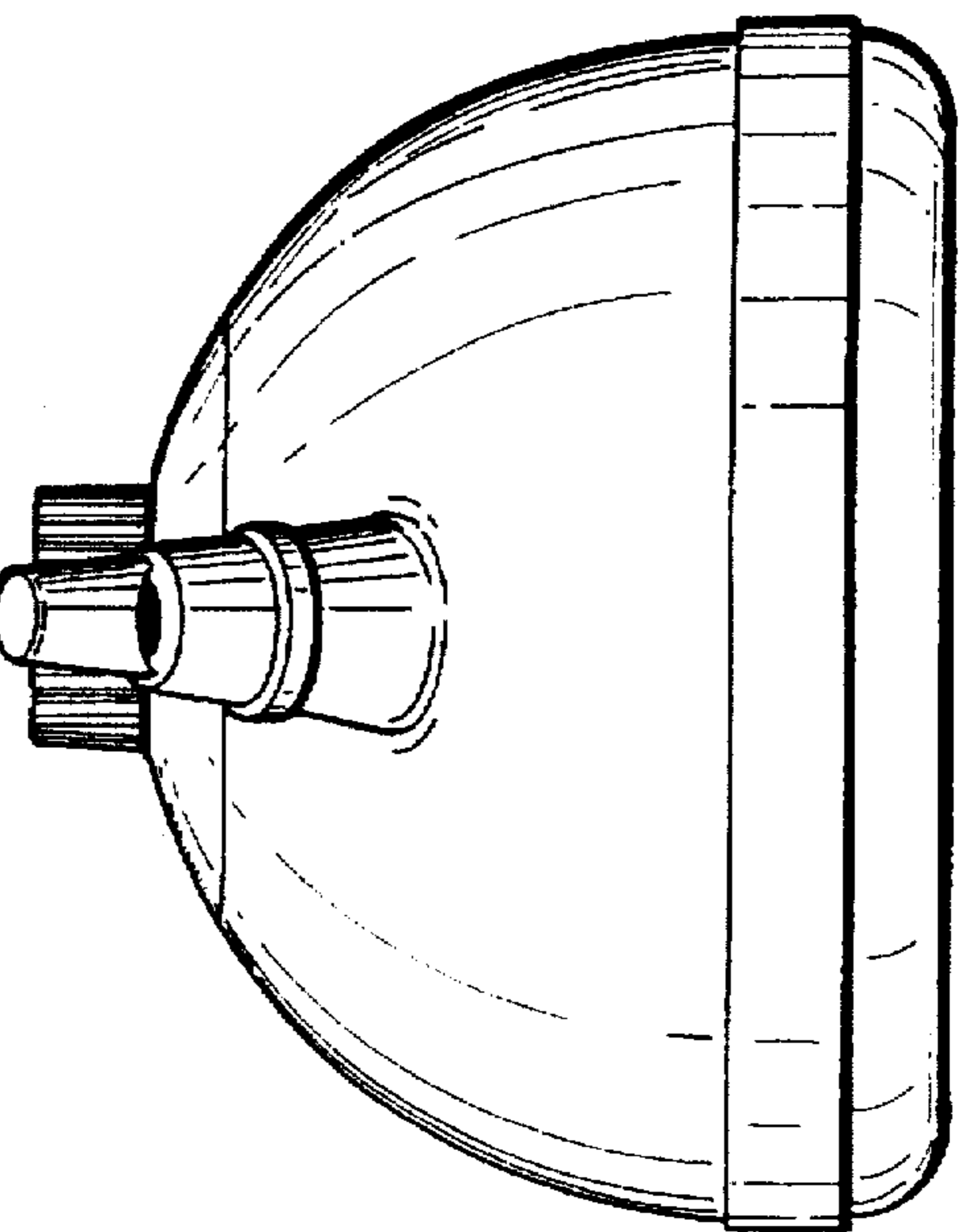


FIG.-5

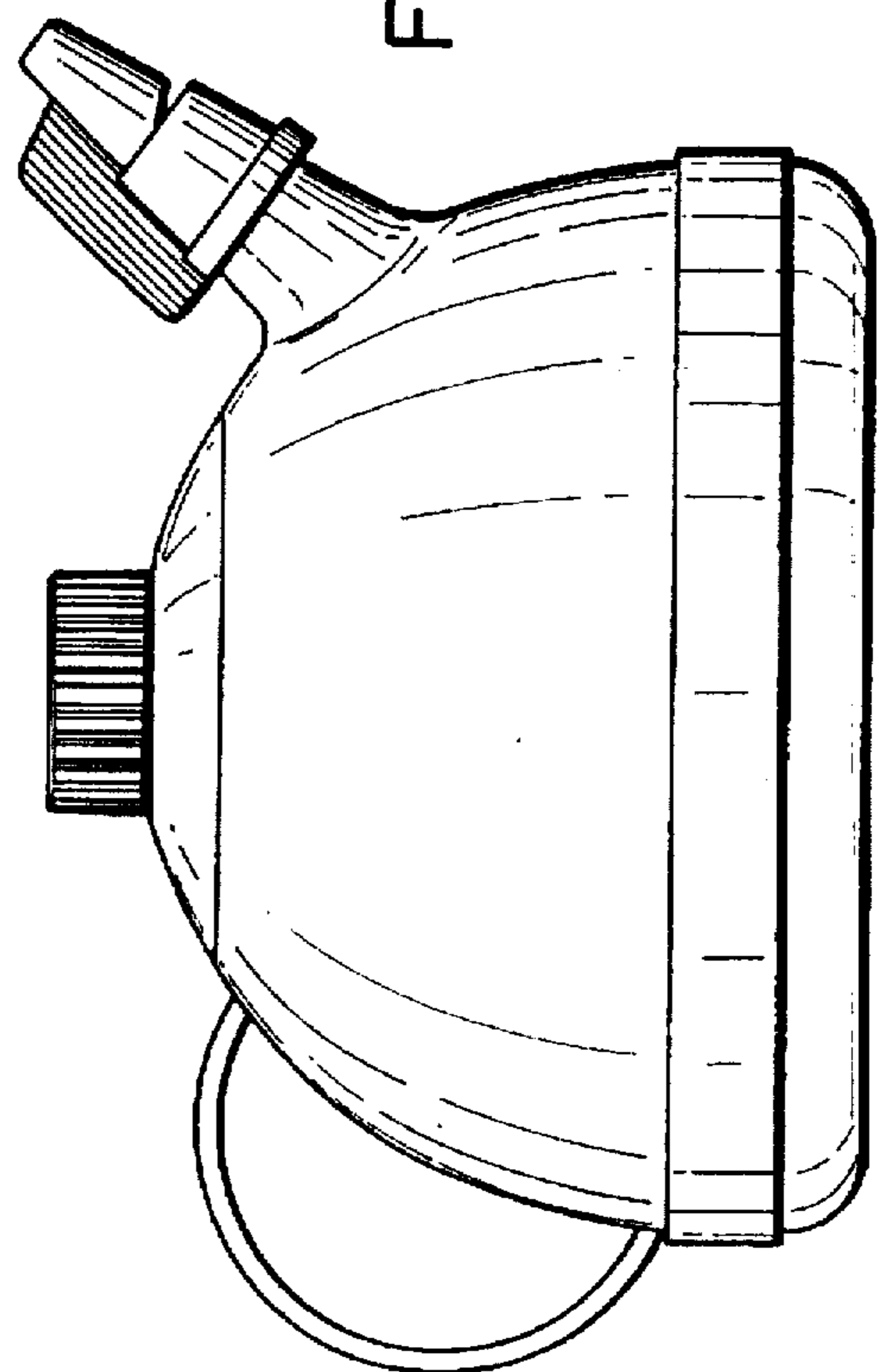


FIG.-6

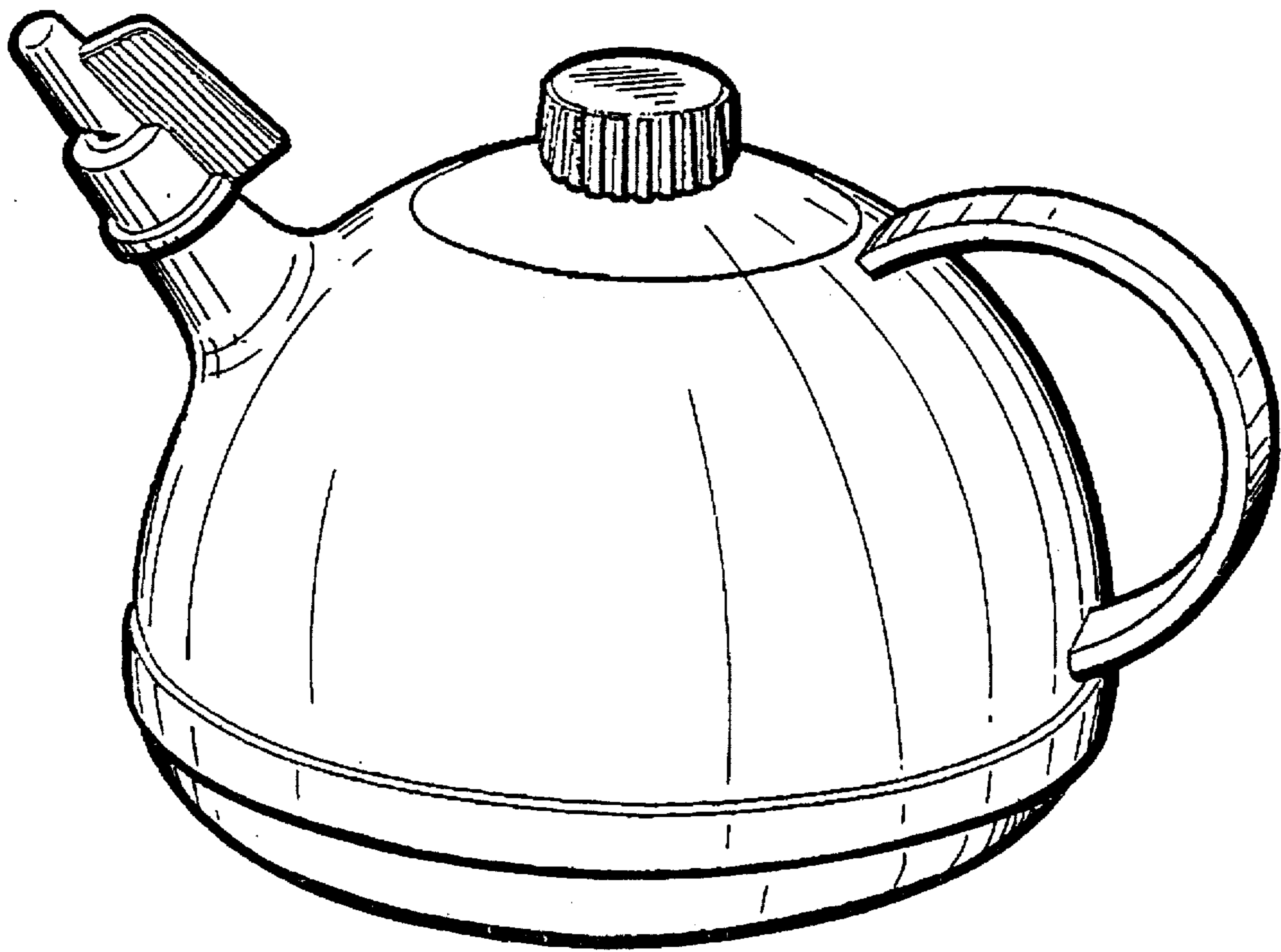


FIG.-7