



US00D390742S

United States Patent [19]
Sander

[11] **Patent Number:** **Des. 390,742**
[45] **Date of Patent:** ****Feb. 17, 1998**

[54] **ESPRESSO MAKER**
[75] **Inventor:** **Roland Sander, Dusseldorf, Germany**
[73] **Assignee:** **Robert Krups GmbH & Co. KG, Solingen, Germany**
[**] **Term:** **14 Years**
[21] **Appl. No.:** **55,552**
[22] **Filed:** **Jun. 7, 1996**
[30] **Foreign Application Priority Data**

D. 342,860 1/1994 Azpiri D7/311 X
D. 358,736 5/1995 Kahlcke D7/310 X
4,632,024 12/1986 Cortese 99/293
4,644,856 2/1987 Borgmann 99/295

OTHER PUBLICATIONS

Buon Cafe 320 machine, Washington Post, Oct. 1995.

Primary Examiner—M. N. Pandozzi
Attorney, Agent, or Firm—Darby & Darby

[57] **CLAIM**

The ornamental design for an espresso maker, as shown.

DESCRIPTION

Dec. 7, 1995 [FR] France 95 6681
[51] **LOC (6) Cl.** **07-01**
[52] **U.S. Cl.** **D7/309; D7/310; D7/311**
[58] **Field of Search** **D7/300, 309, 310, D7/311, 305; 99/293, 295**

FIG. 1 is a front-right-top perspective view of my new design for an espresso maker;
FIG. 2 is a front elevational view thereof;
FIG. 3 is a right side elevational view thereof;
FIG. 4 is a rear elevational view thereof;
FIG. 5 is the left side elevational view thereof;
FIG. 6 is the top plan view thereof; and,
FIG. 7 is the bottom plan view thereof.

[56] **References Cited**

U.S. PATENT DOCUMENTS

D. 288,885 3/1987 Kahlcke D7/309
D. 299,998 2/1989 Seiffert D7/309
D. 336,004 6/1993 Kahlcke D7/309

1 Claim, 7 Drawing Sheets

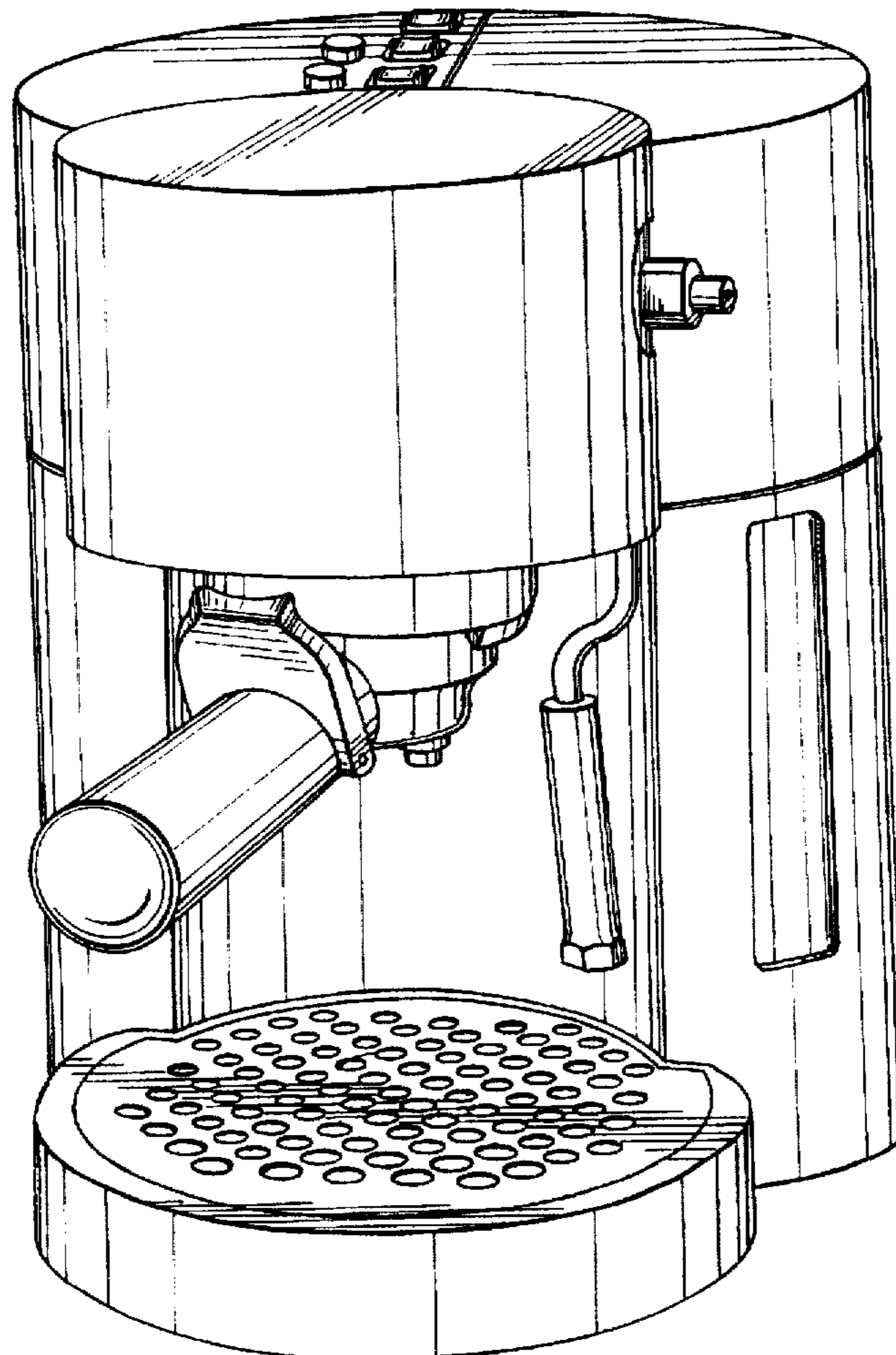


FIG. 1

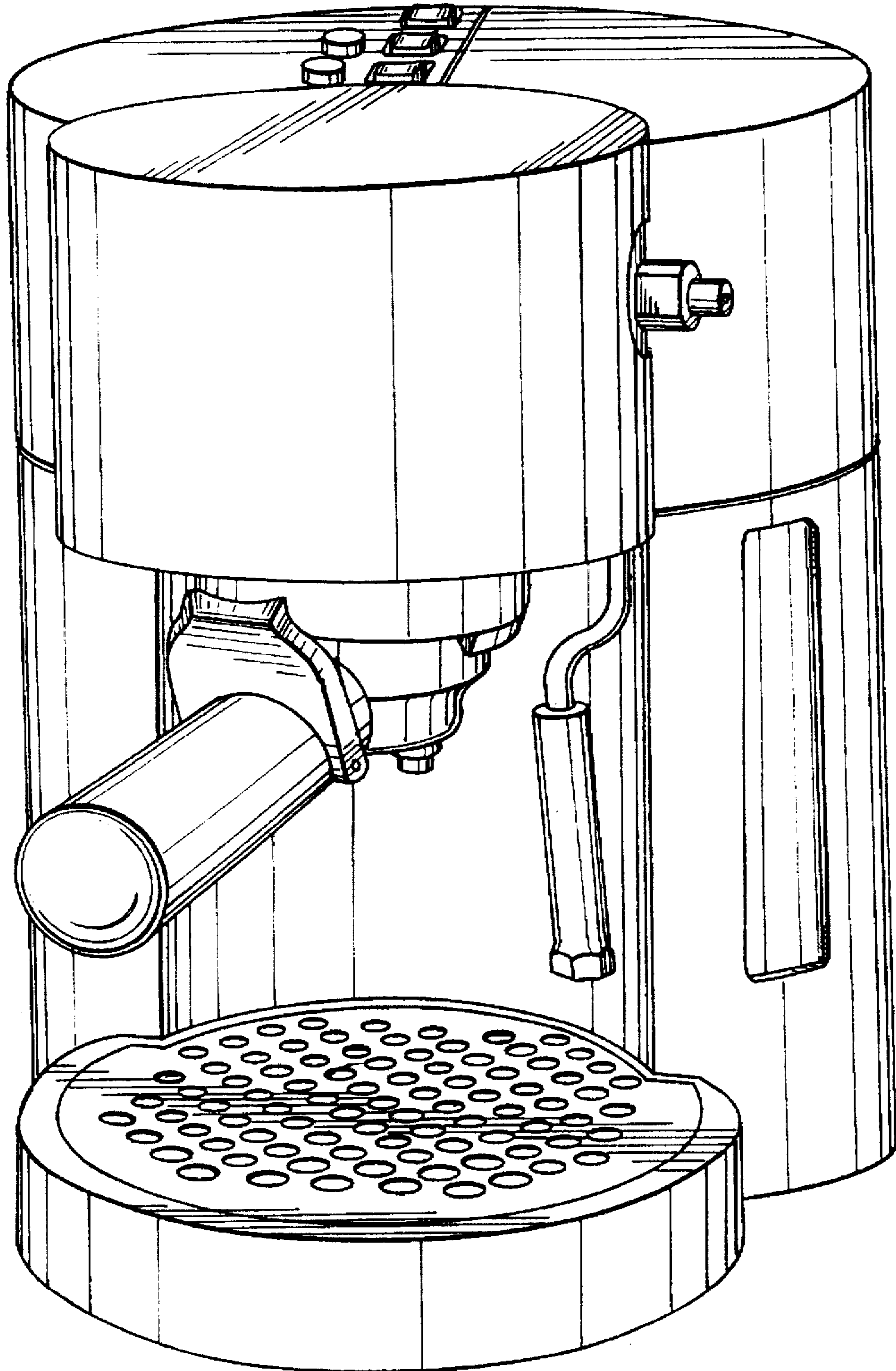


FIG. 2

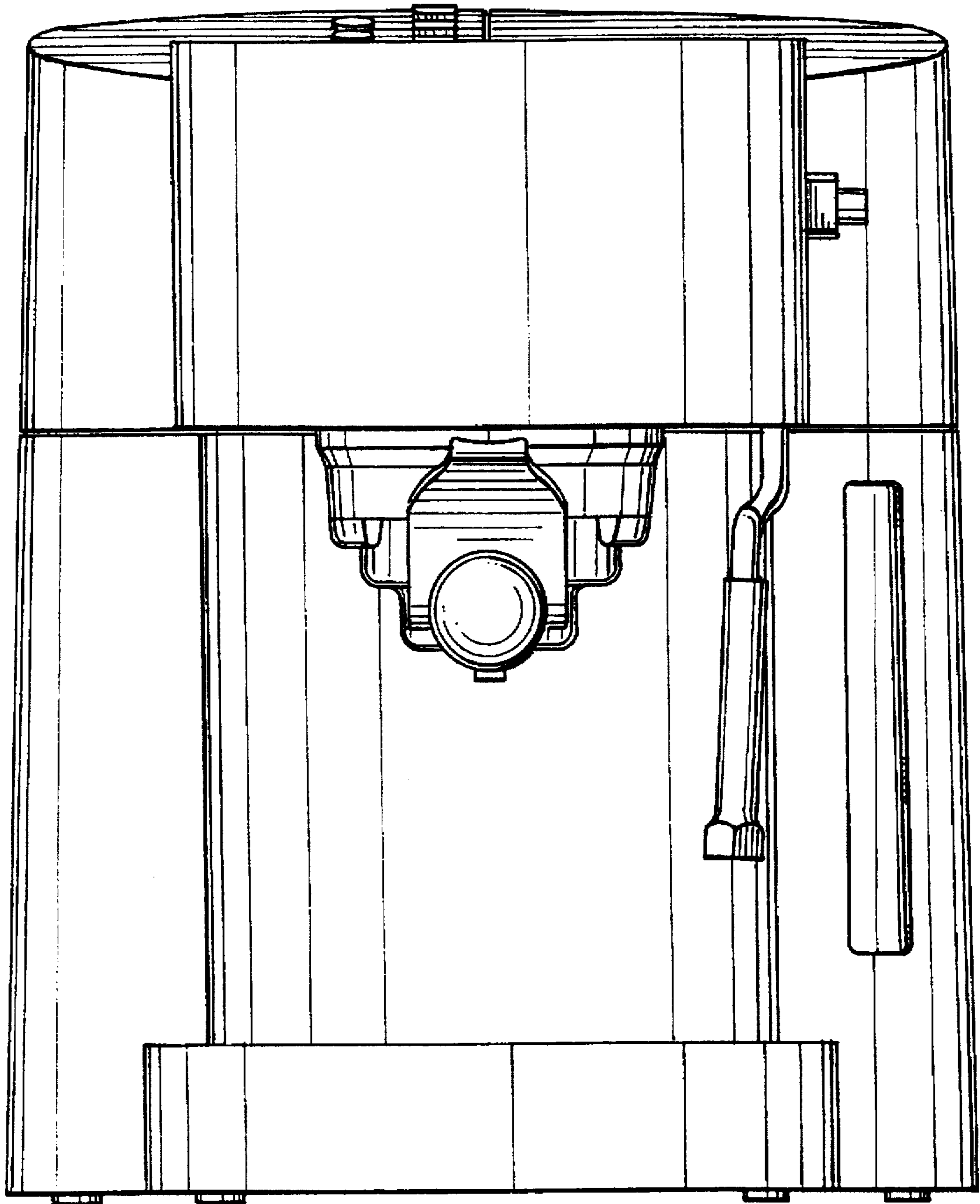


FIG. 3

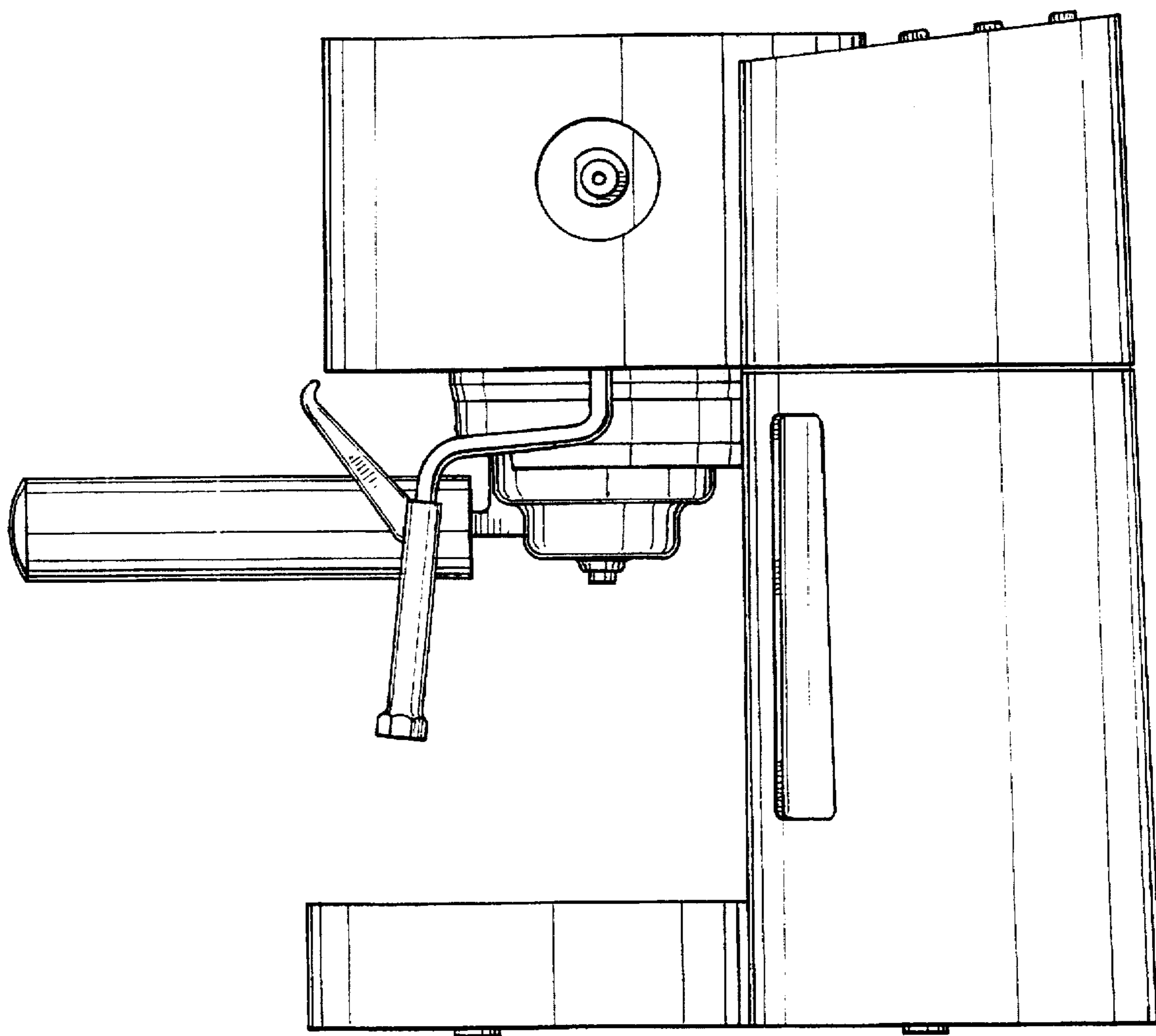


FIG. 4

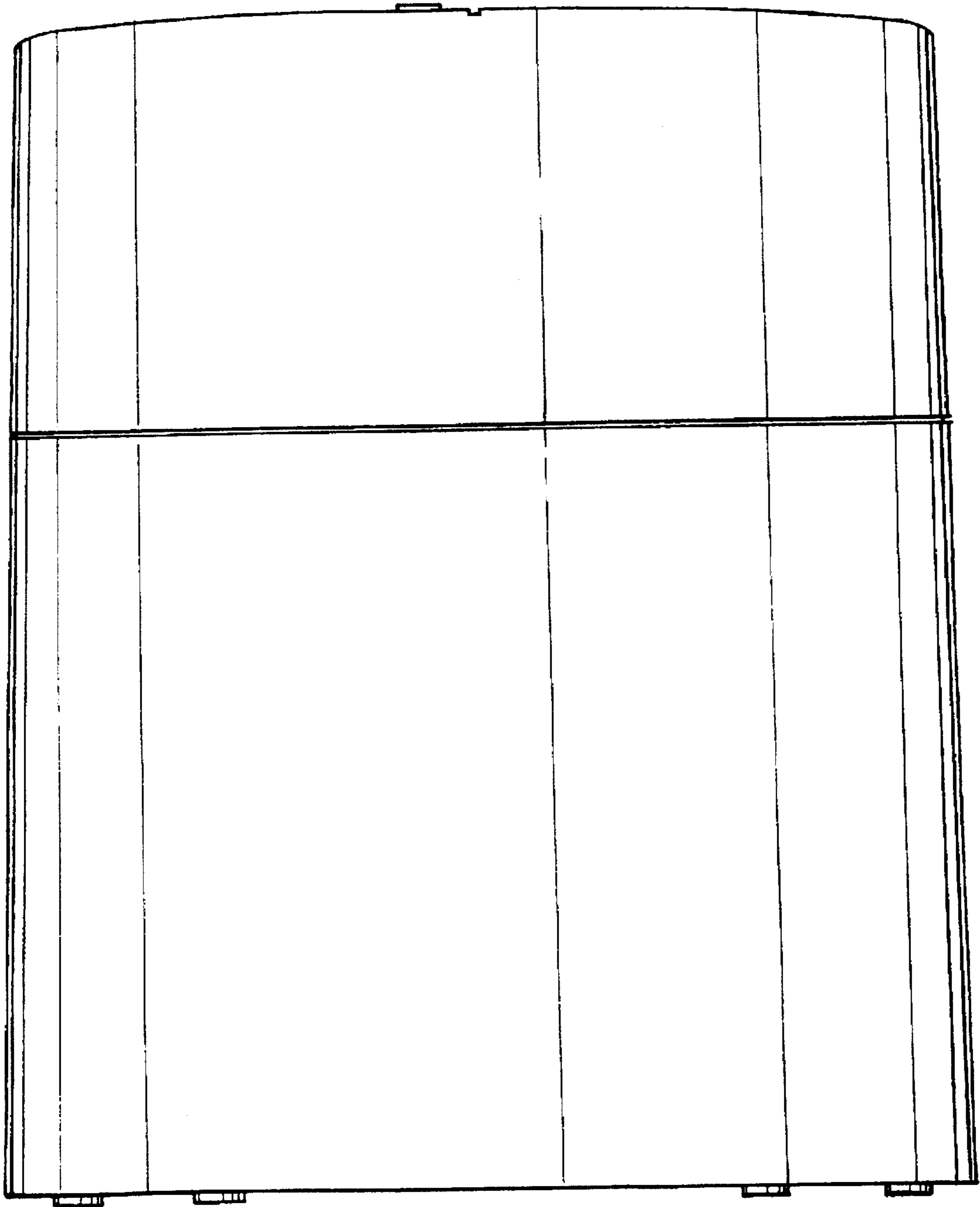


FIG. 5

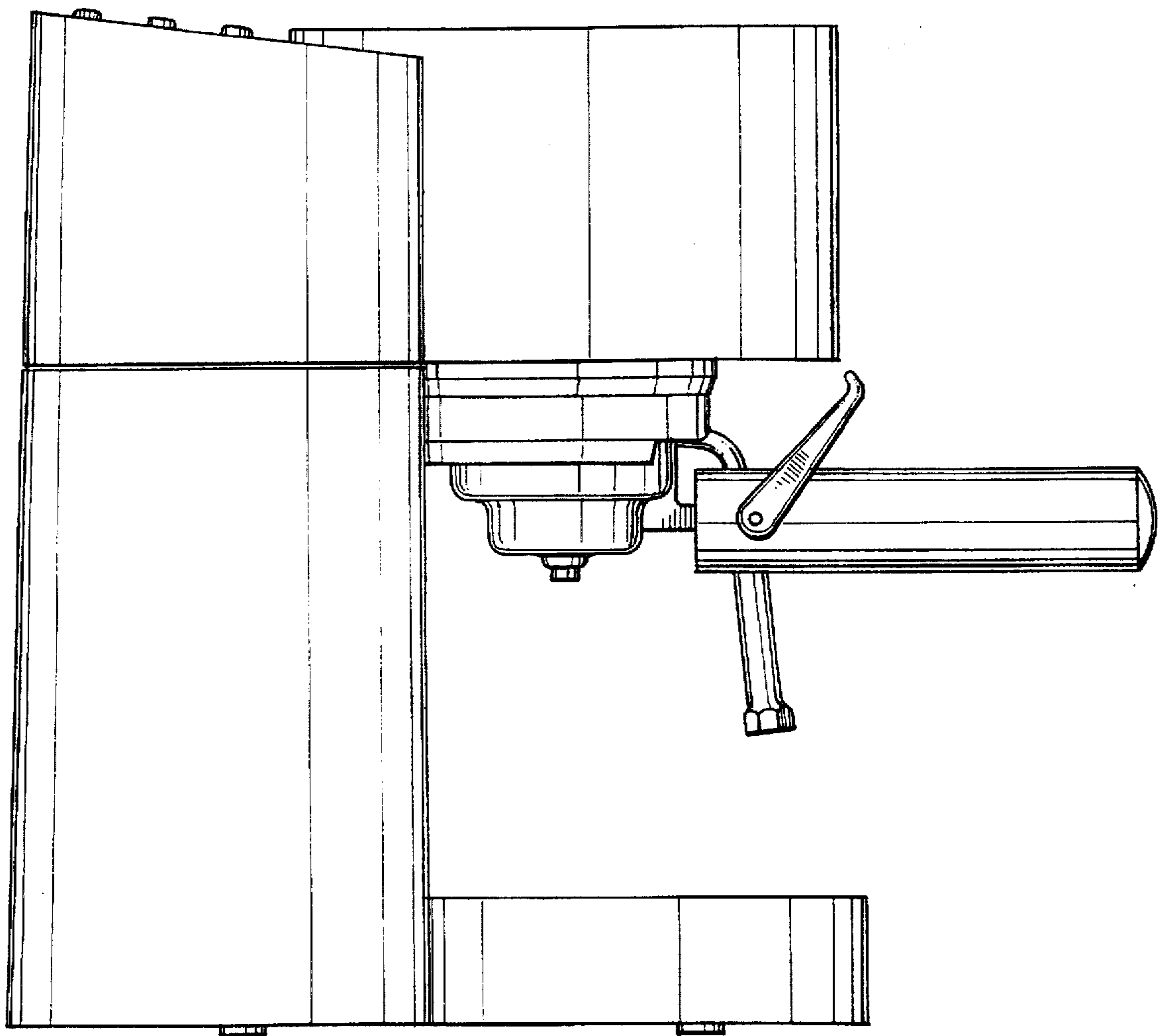


FIG. 6

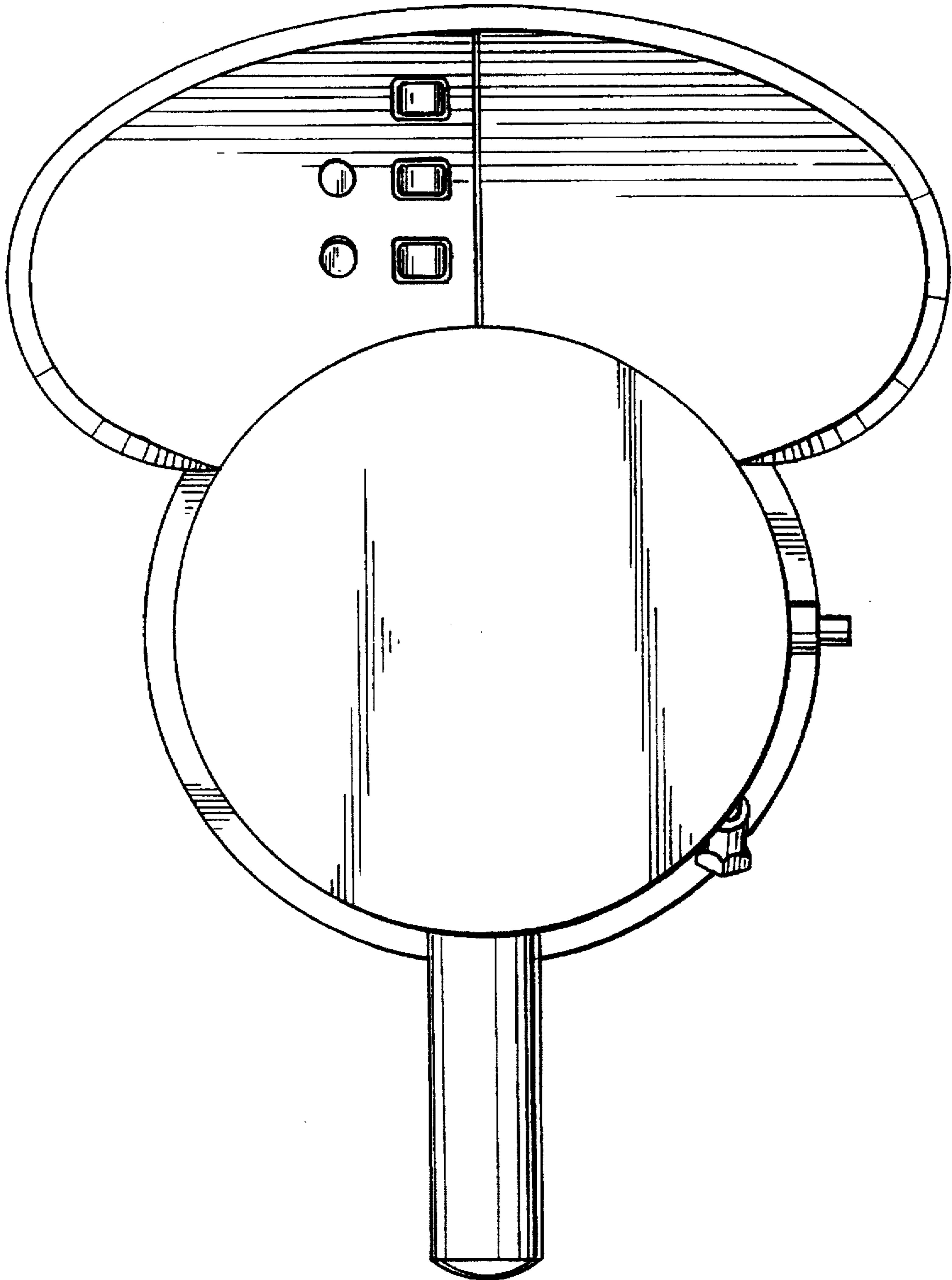


FIG. 7

