



US00D390738S

United States Patent [19]

[11] Patent Number: **Des. 390,738**

Palka

[45] Date of Patent: ****Feb. 17, 1998**

[54] **MIRRORED MEDICINE CABINET WITH LIGHT BRIDGE**

Primary Examiner—Brian N. Vinson
Attorney, Agent, or Firm—August E. Roehrig, Jr.

[76] Inventor: **James J. Palka**, 22351 W. Thornridge Dr., Kildeer, Ill. 60047

[57] **CLAIM**

[**] Term: **14 Years**

The ornamental design for a mirrored medicine cabinet with light bridge, as shown and described.

[21] Appl. No.: **65,724**

DESCRIPTION

[22] Filed: **Apr. 29, 1996**

FIG. 1 is a top, front, and left side perspective view of a mirrored medicine cabinet with light bridge showing my new design;

Related U.S. Application Data

[62] Division of Ser. No. 44,237, Sep. 21, 1995, Pat. No. Des. 379,281.

FIG. 2 is a front elevational view thereof;

[51] **LOC (6) Cl.** **08-08**

FIG. 3 is right side elevational view thereof;

[52] **U.S. Cl.** **D6/559**

FIG. 4 is a top plan view thereof;

[58] **Field of Search** D6/559-561; 312/34.1, 312/34.4, 114, 224, 227, 242, 245

FIG. 5 is a bottom plan view thereof;

FIGS. 6 and 7 are enlarged fragmentary cross-sectional views thereof, showing portions of the cabinet taken along lines 6-6 and 7-7 of FIG. 2, respectively, to better illustrate the contours thereof;

[56] **References Cited**

FIG. 8 is an enlarged, fragmentary front elevational view of FIG. 2, to better illustrate the contours thereof; and,

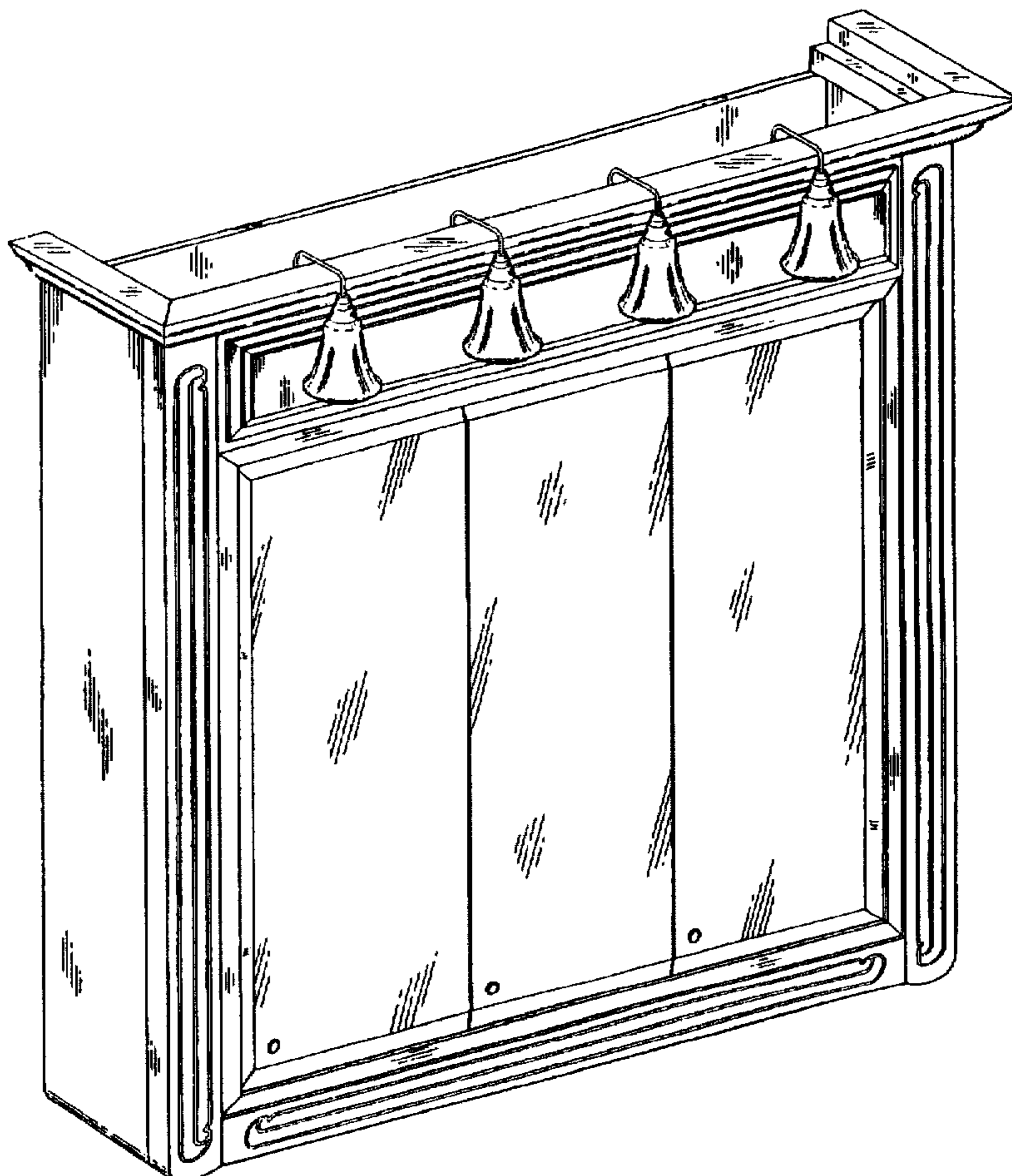
U.S. PATENT DOCUMENTS

FIG. 9 is a cross-sectional view of FIG. 8, taken along lines 9-9 to better illustrate the contour thereof.

| | | | | |
|------------|---------|----------|-------|----------|
| D. 280,876 | 10/1985 | Chabanet | | D6/559 |
| D. 290,906 | 7/1987 | Lux | | D6/561 X |
| D. 296,285 | 6/1988 | Palka | | D6/561 |
| D. 303,896 | 10/1989 | Baus | | D6/559 X |
| D. 366,796 | 2/1996 | Crowley | | D6/559 |
| 5,139,222 | 8/1992 | Aisley | | 312/227 |

The undisclosed rear of the cabinet is unadorned and is not seen when the cabinet is in place.

1 Claim, 4 Drawing Sheets



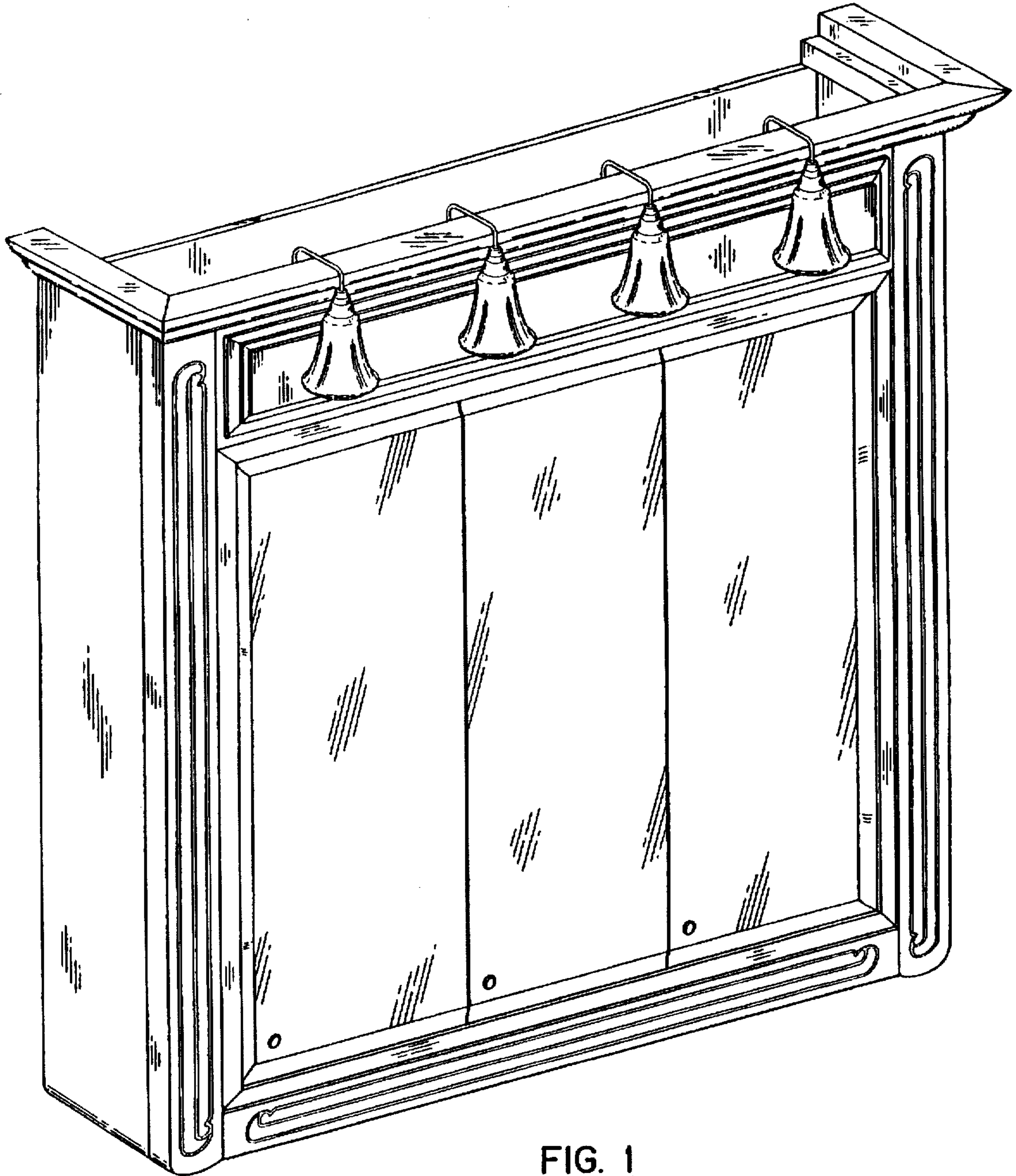


FIG. 1

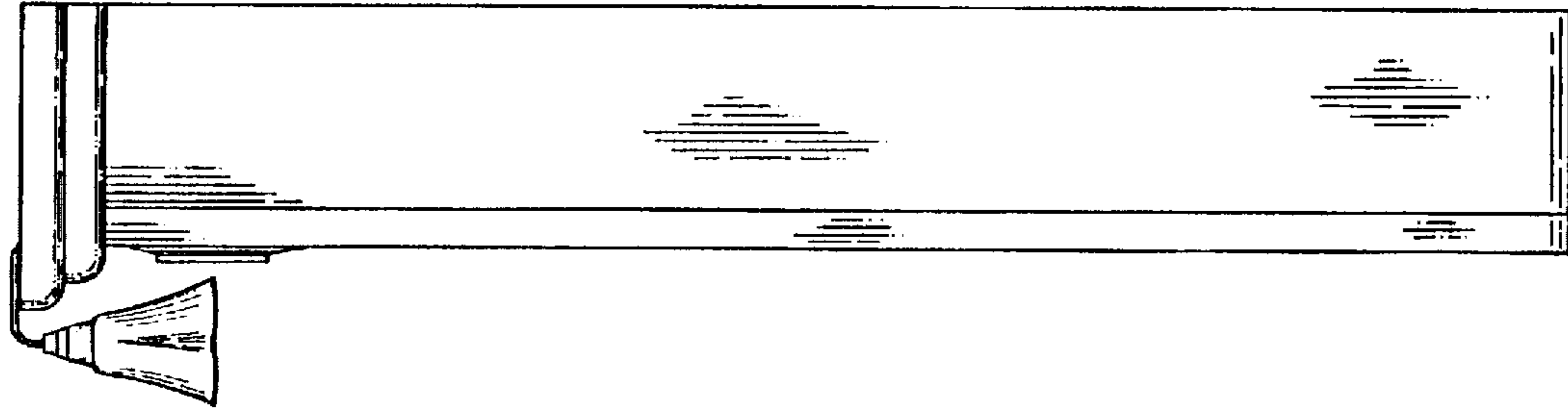


FIG. 3

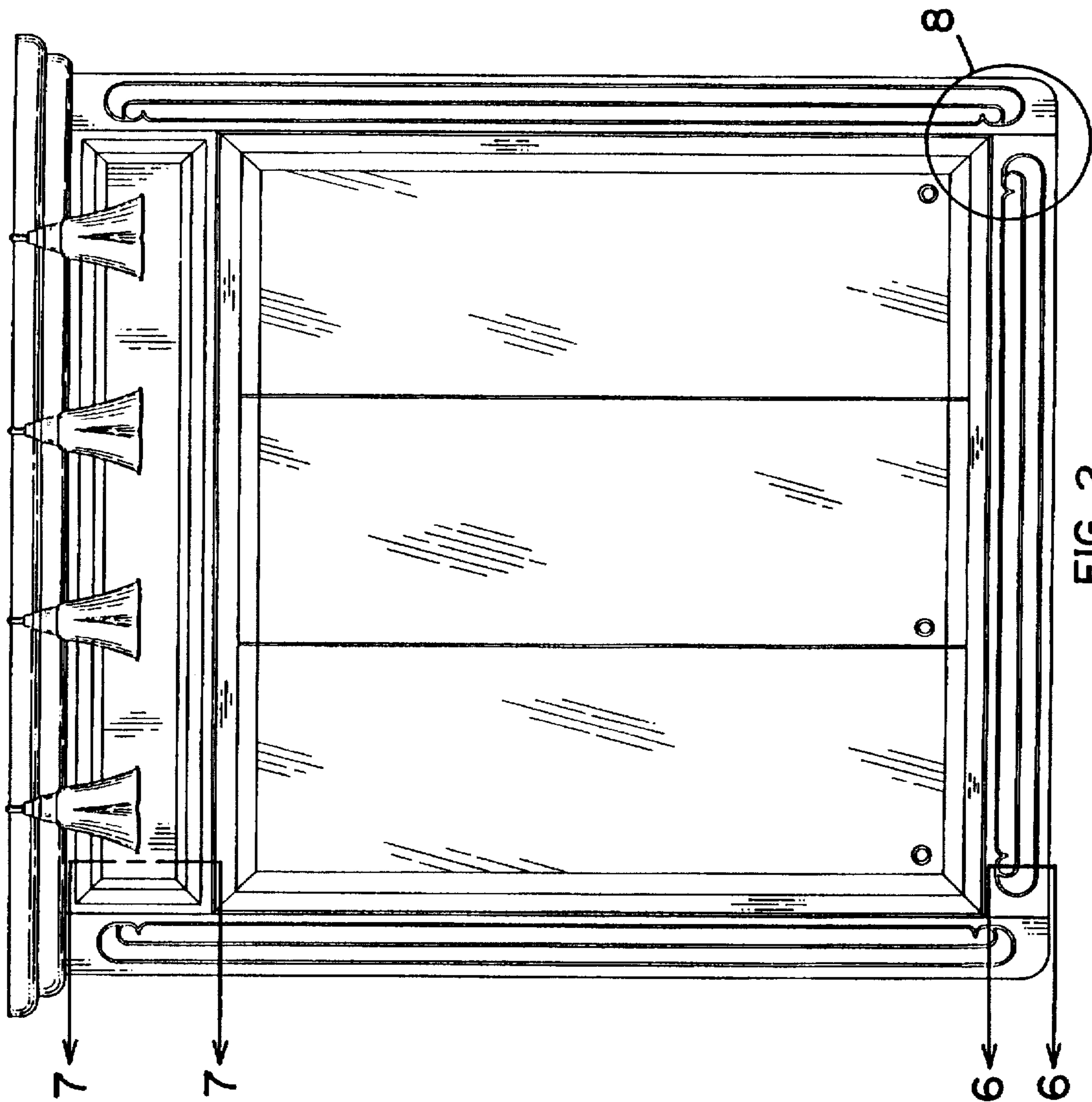


FIG. 2

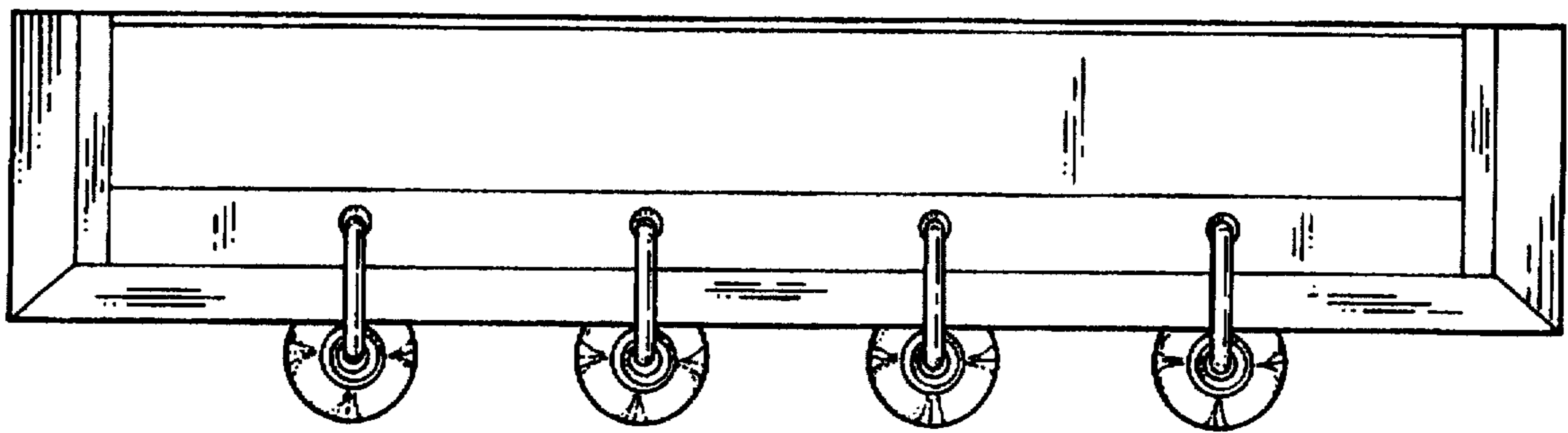


FIG. 4

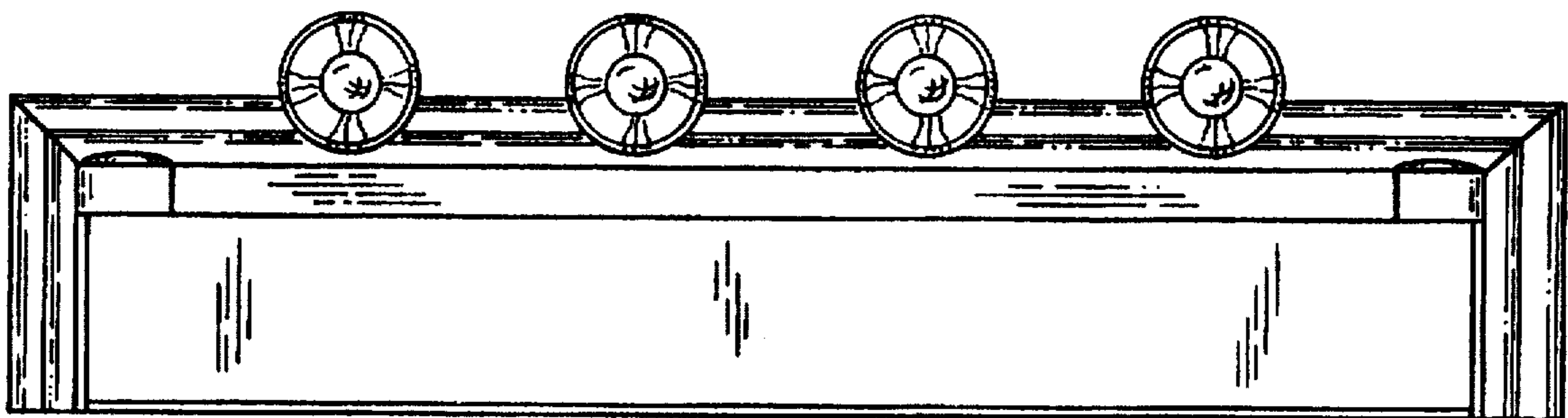


FIG. 5

