



US00D390731S

United States Patent [19]
Paus

[11] **Patent Number: Des. 390,731**
[45] **Date of Patent: **Feb. 17, 1998**

[54] **FURNITURE TRIM**

[75] **Inventor: Michael J. Paus, High Point, N.C.**

[73] **Assignee: Universal Furniture Industries, Inc., High Point, N.C.**

[**] **Term: 14 Years**

[21] **Appl. No.: 36,356**

[22] **Filed: Mar. 17, 1995**

[51] **LOC (6) Cl. 06-06**

[52] **U.S. Cl. D6/503**

[58] **Field of Search D6/503, 505, 491, D6/382, 389-395, 506-508; 5/53.1, 279.1, 280, 281, 907; D25/136**

[56] **References Cited**

U.S. PATENT DOCUMENTS

D. 215,805	11/1969	Chapin	D6/505
D. 315,074	3/1991	Schoonover	D6/505
D. 353,732	12/1994	Keller	D6/503

Primary Examiner—Martie Thompson
Attorney, Agent, or Firm—Bell Seltzer Intellectual Property Law Group of Alston & Bird LLP

[57] **CLAIM**

The ornamental design for a furniture trim, as shown and described.

DESCRIPTION

FIG. 1 is a perspective view of a furniture trim showing my new design;

FIG. 2 is a front elevational view of a first embodiment thereof as depicted in FIG. 1;

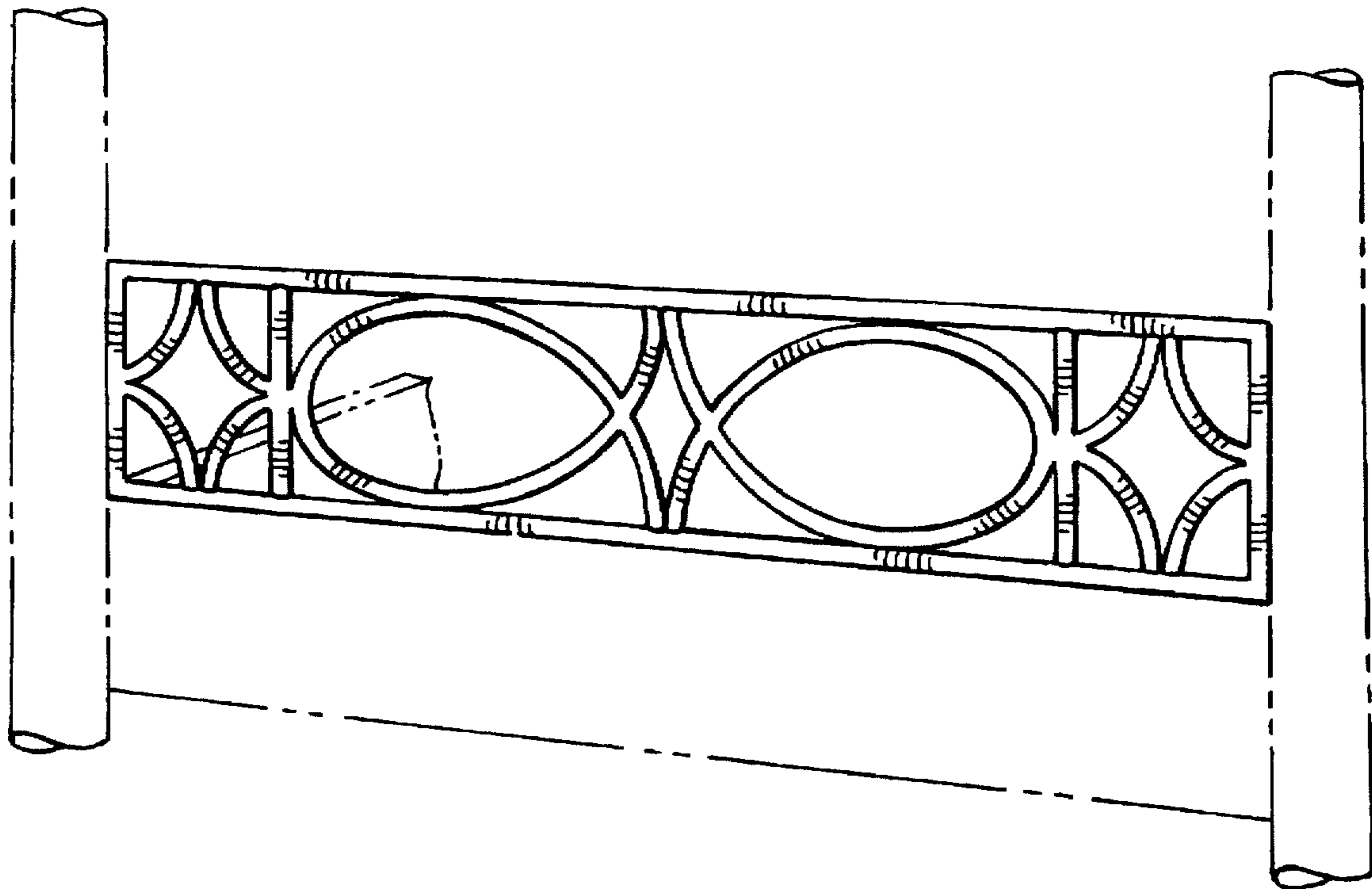
FIG. 3 is a top plan view thereof;

FIG. 4 is a front elevational view of a second embodiment of my design of FIG. 1; and,

FIG. 5 is a front elevational view of a third embodiment of my design of FIG. 1.

The broken line structure of FIG. 1 is for environmental purposes and forms no part of the claimed design.

1 Claim, 2 Drawing Sheets



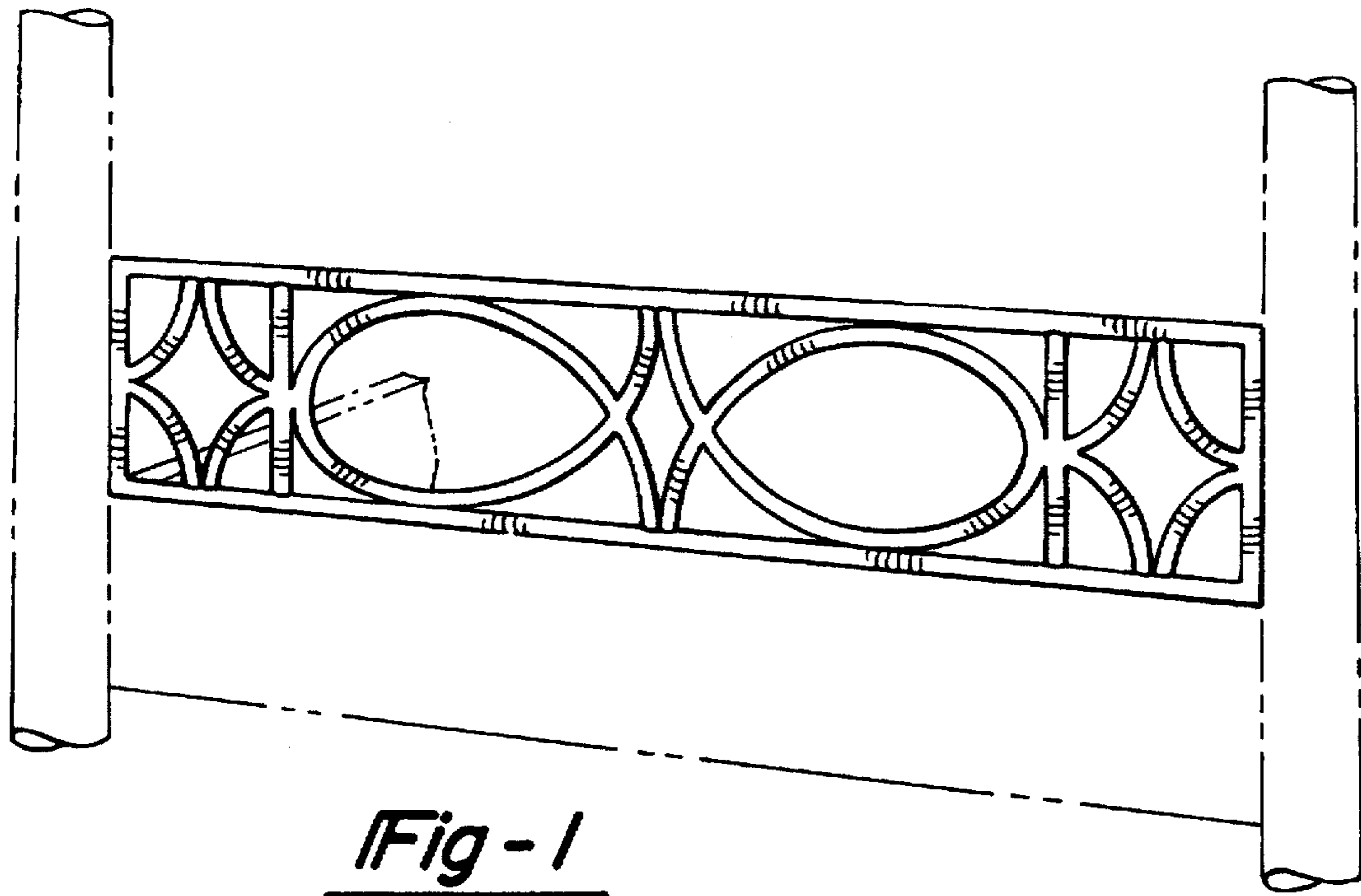


Fig - 1

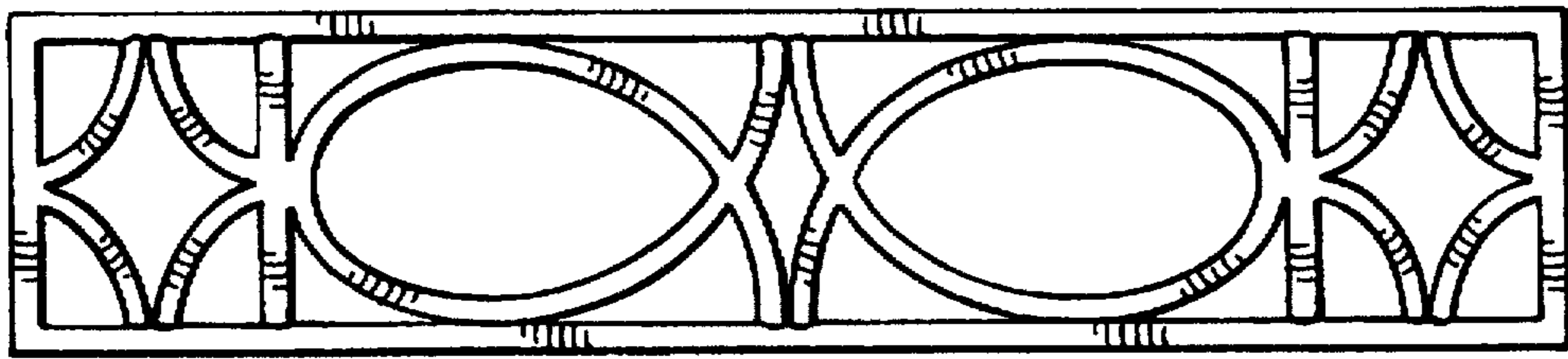


Fig - 2



Fig - 3

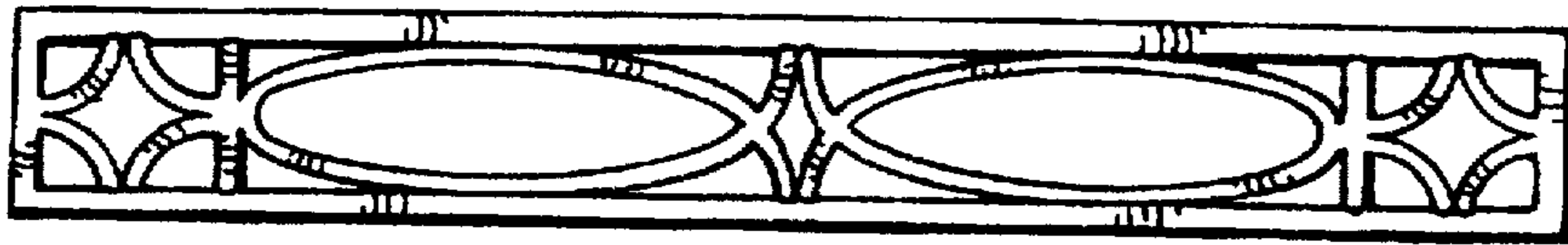


Fig - 4

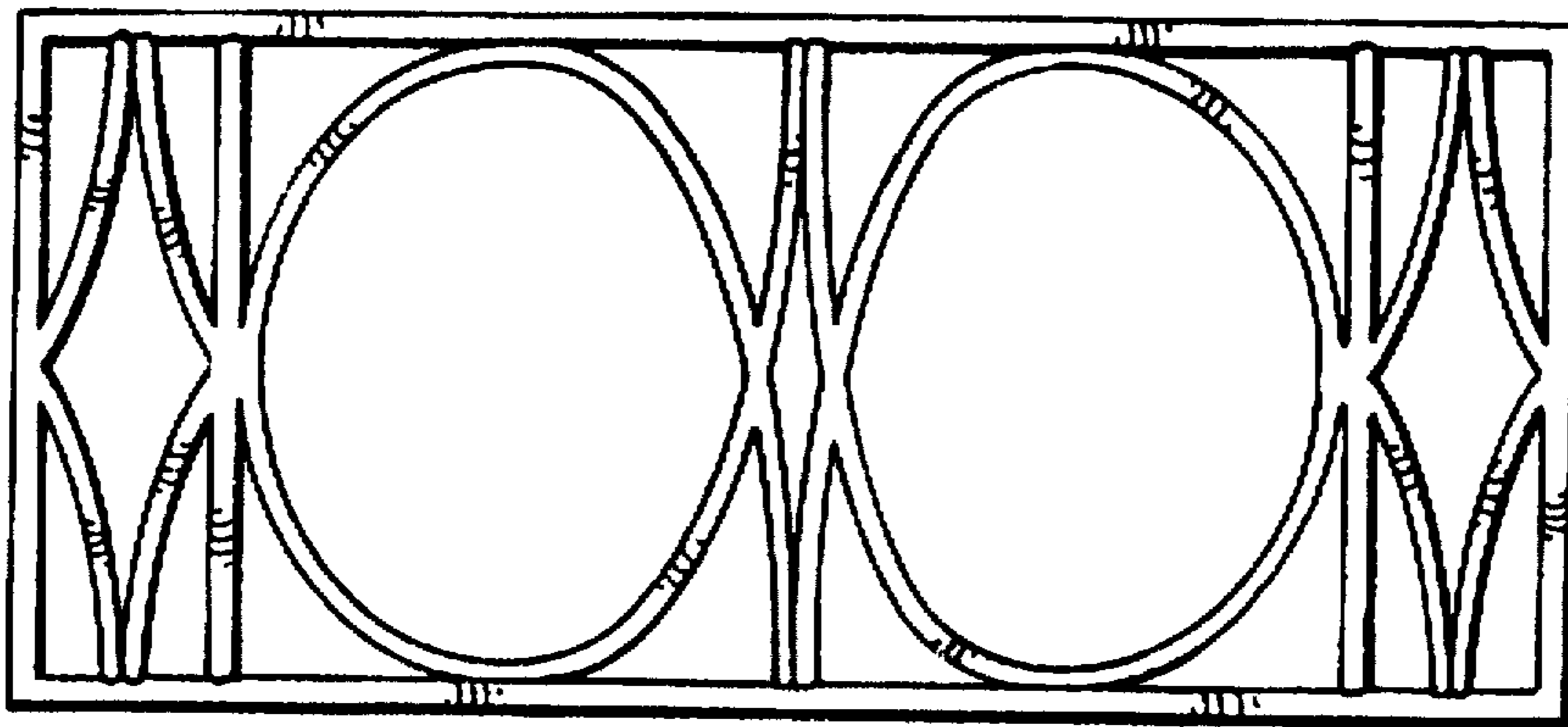


Fig - 5