



US00D390730S

United States Patent [19]

Gerhart et al.

[11] Patent Number: Des. 390,730

[45] Date of Patent: **Feb. 17, 1998

[54] CANOPY FOR JUVENILE PLAYYARD

[75] Inventors: Steven G. Gerhart, Reinholds; Peter R. Tuckey, Morgantown, both of Pa.

[73] Assignee: Graco Children's Products Inc., Elverson, Pa.

[**] Term: 14 Years

[21] Appl. No.: 59,551

[22] Filed: Sep. 12, 1996

[51] LOC (6) Cl. 06-99

[52] U.S. Cl. D6/491

[58] Field of Search D6/331, 491, 389-391; 5/93.1, 93.2, 97, 99.1, 100, 101, 113, 414, 416

[56] References Cited

U.S. PATENT DOCUMENTS

4,590,956 5/1986 Griesenbeck 5/113 X
5,517,707 5/1996 LaMantia 5/97

OTHER PUBLICATIONS

Baby Express, Baby-2-Teen Furn., p. 36, crib tent in lower right corner.

Primary Examiner—Janice E. Seeger

Attorney, Agent, or Firm—Richard B. O'Planick

[57] CLAIM

The ornamental design for a canopy for a juvenile playyard, as shown and described.

DESCRIPTION

FIG. 1 is a perspective view of a canopy for a juvenile playyard with a front screen partially open;

FIG. 2 is a front view of the canopy for a juvenile playyard with a front screen closed;

FIG. 3 is a left side view of the canopy for a juvenile playyard;

FIG. 4 is a back view of the canopy for a juvenile playyard; and,

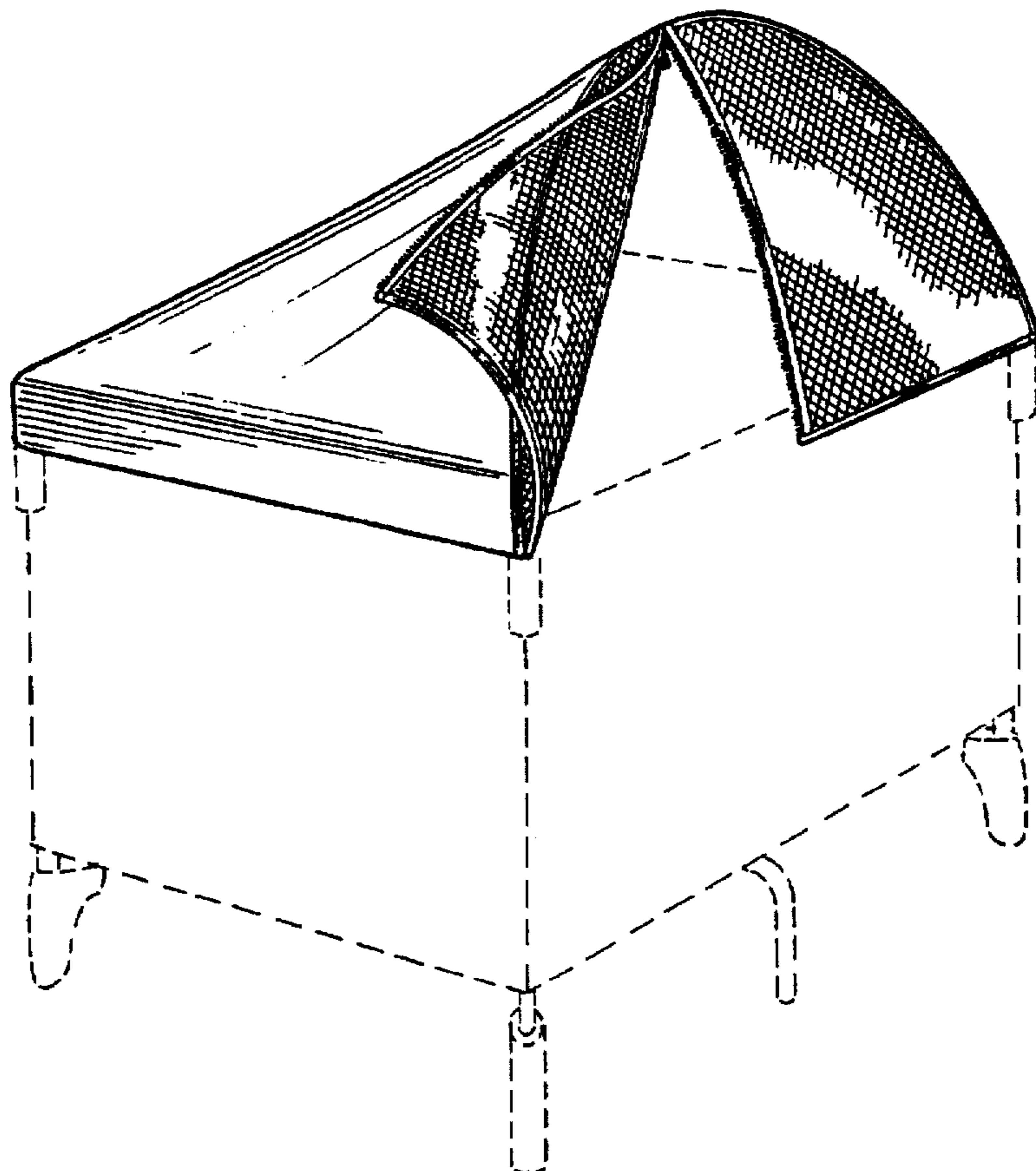
FIG. 5 is a top view of the canopy for a juvenile playyard.

The broken lines are for environmental purposes only and form no part of the claimed design.

The right side view is a mirror image of the left side shown in FIG. 3.

The bottom of the article is not part of the claimed design.

1 Claim, 5 Drawing Sheets



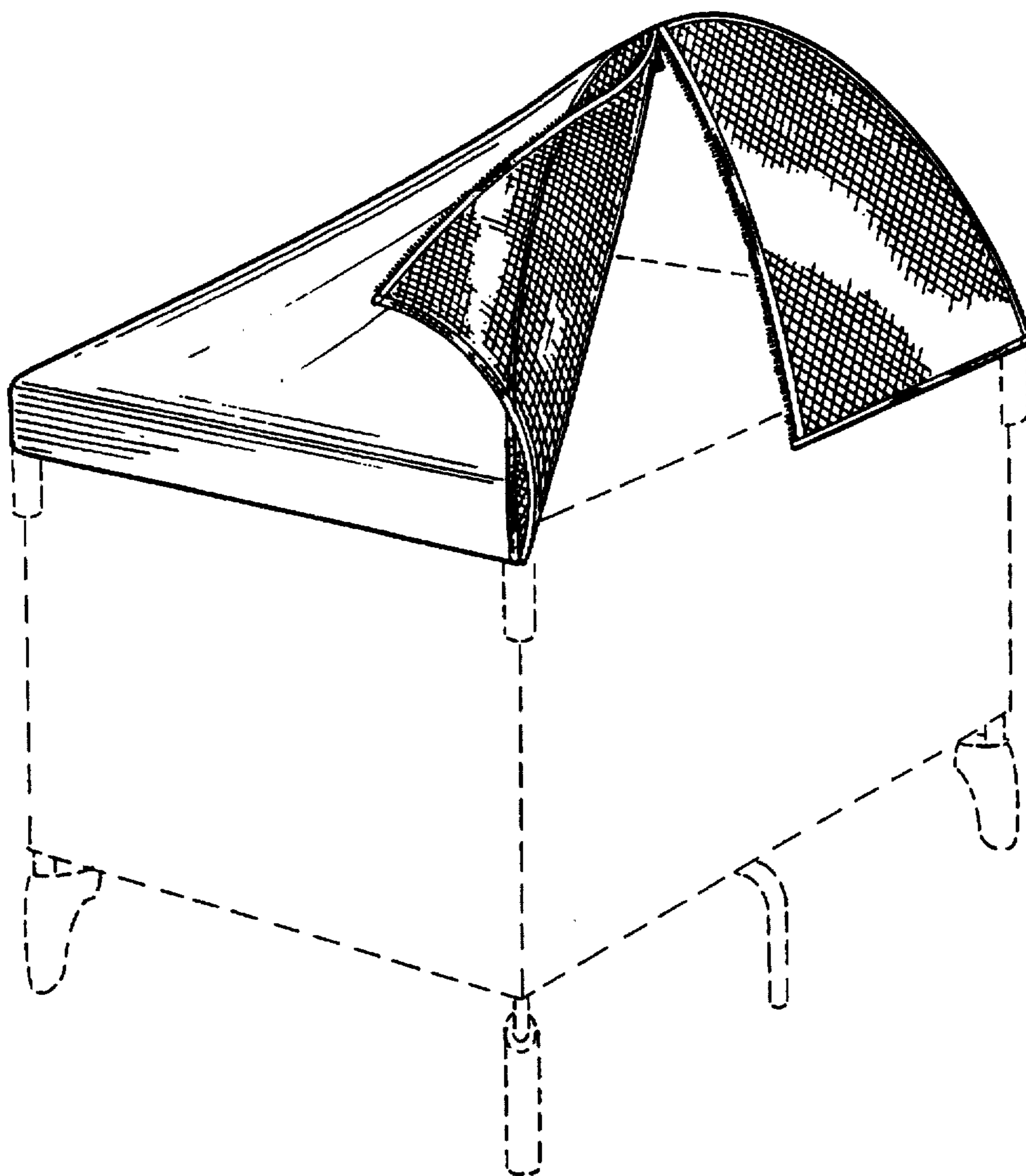


FIG. 1

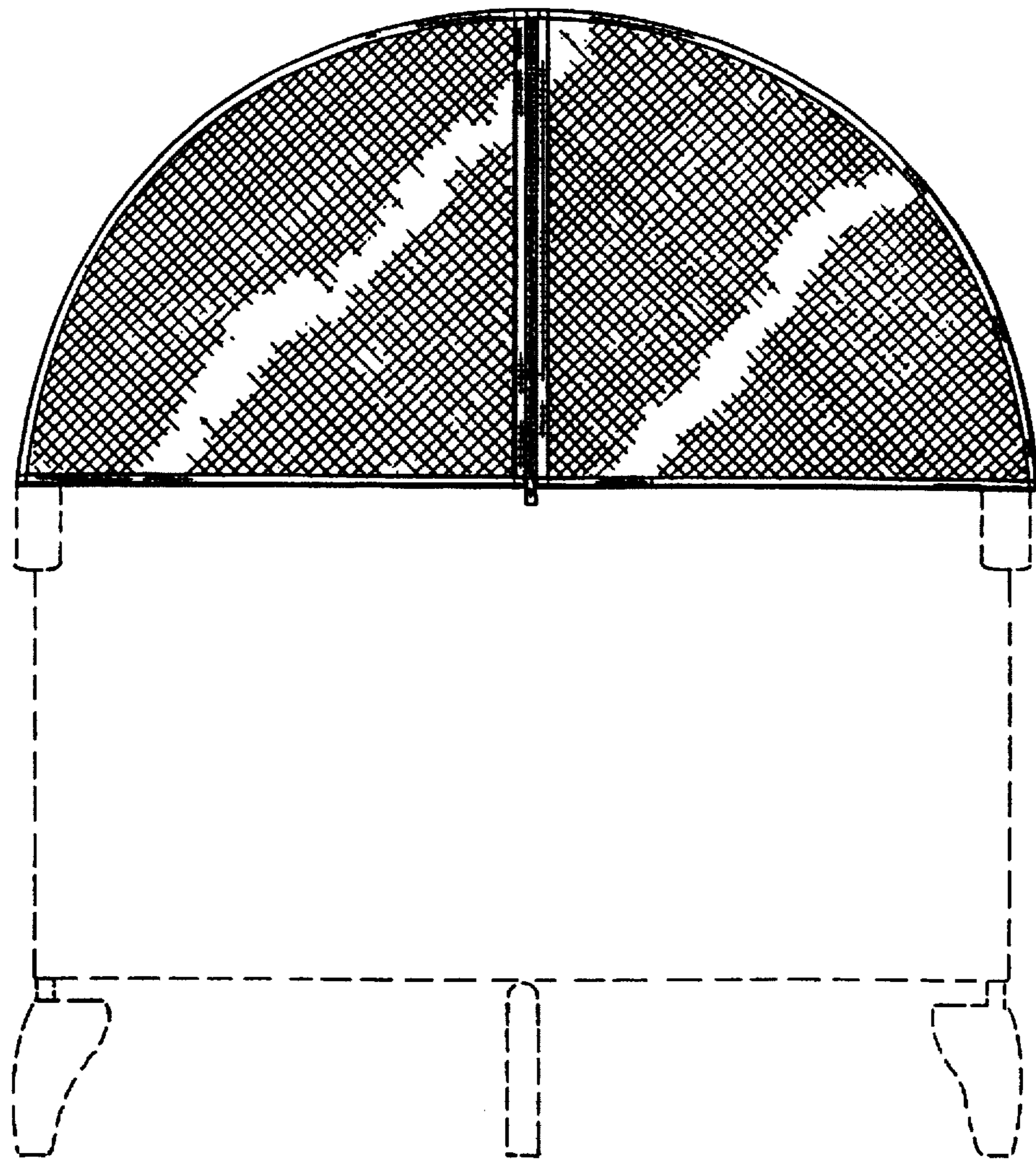


FIG. 2

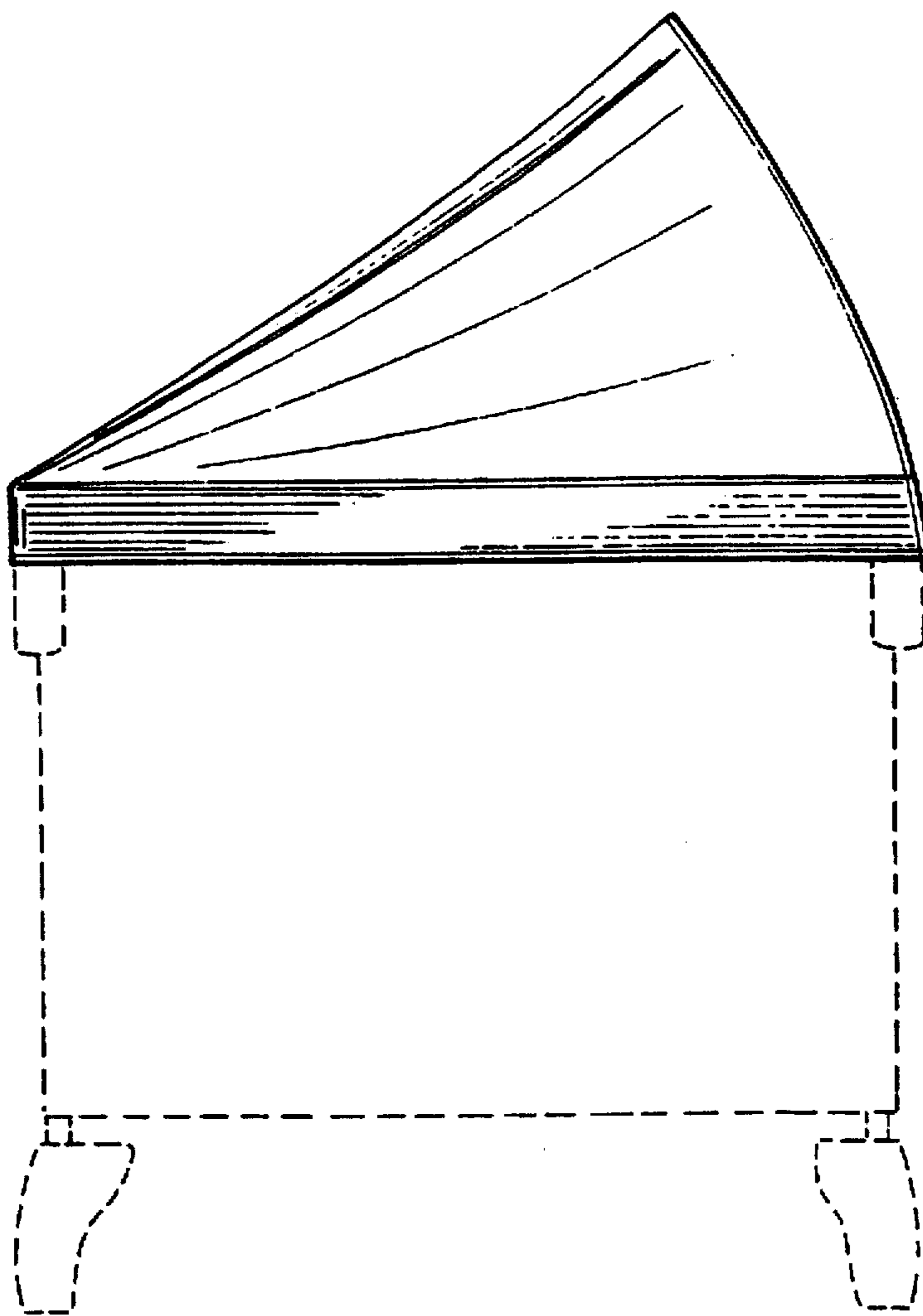


FIG. 3

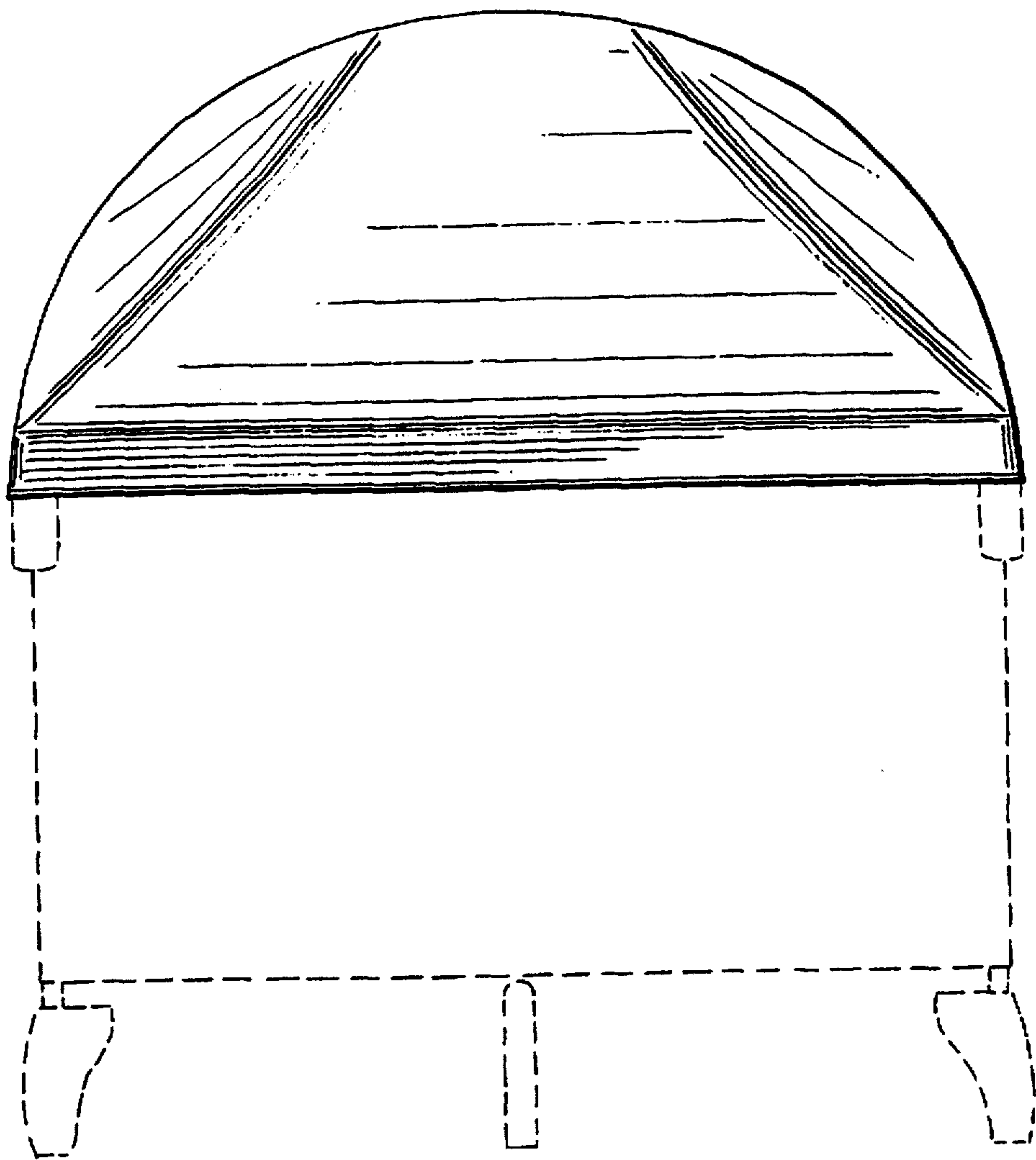


FIG. 4

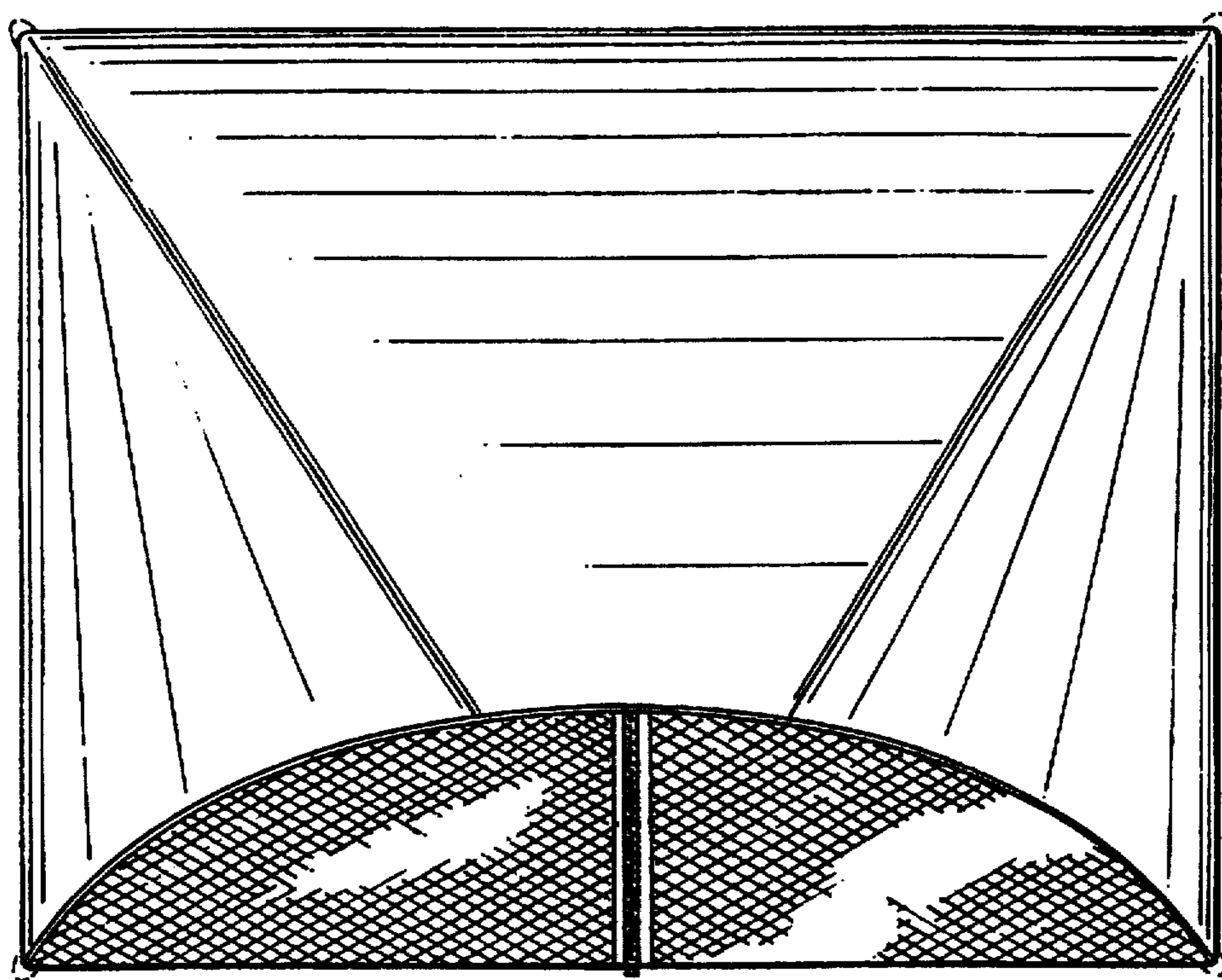


FIG. 5