



US00D390727S

# United States Patent [19]

Ferry

[11] Patent Number: **Des. 390,727**

[45] Date of Patent: **\*\*Feb. 17, 1998**

[54] **SUPPLY ORGANIZER FOR A FLORAL ARRANGER**

[76] Inventor: **Bettie B. Ferry**, 102 Willow Ct., Moneta, Va. 24121

[\*\*] Term: **14 Years**

[21] Appl. No.: **69,862**

[22] Filed: **May 15, 1997**

[51] LOC (6) CL ..... **06-04**

[52] U.S. Cl. .... **D6/469; D19/77; D19/85**

[58] Field of Search ..... **D6/462-469, 552, D6/400, 556, 558, 403, 405; 211/60.1, 74, 13.1; 47/41.01, 39, 41.11, 41.14, 41.15, 41.12; 248/176.1, 309.1, 316.7, 311.2, 154, 121, 152; D32/52, 58; 108/25-27; D19/75, 85, 81, 77; 206/216, 575, 1.7, 372, 373, 443, 563, 423; D11/143; 220/4.26**

[56] **References Cited**

**U.S. PATENT DOCUMENTS**

D. 177,788	5/1956	Abadessa, Jr. et al. ....	D6/469
D. 202,080	8/1965	Knaust .....	D19/8.5
D. 314,731	2/1991	Ryason et al. ....	D11/148
D. 360,811	8/1995	Cohen et al. ....	D7/641
D. 373,867	9/1996	Rask .....	D32/58
3,131,511	5/1964	Deaner .....	47/41.01

3,447,262	6/1969	Uhl .....	47/41.11
3,973,356	8/1976	Schacht .....	47/41 R
4,302,024	11/1981	Weddle .....	280/47.33
5,370,246	12/1994	Traynor .....	211/86
5,450,690	9/1995	Elsea .....	47/41.01

*Primary Examiner*—James Gandy  
*Assistant Examiner*—Linda Brooks  
*Attorney, Agent, or Firm*—David L. Volk

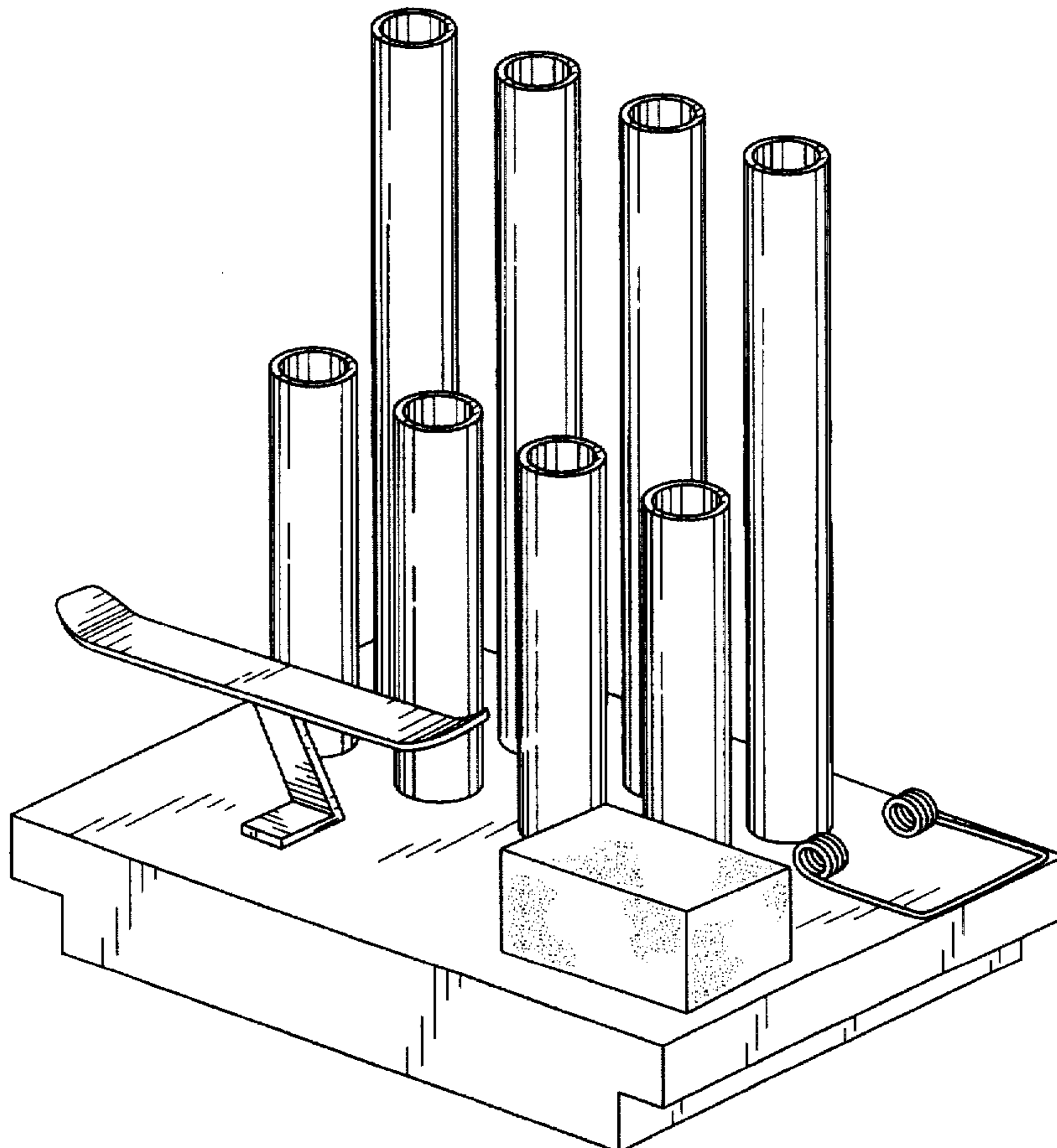
[57] **CLAIM**

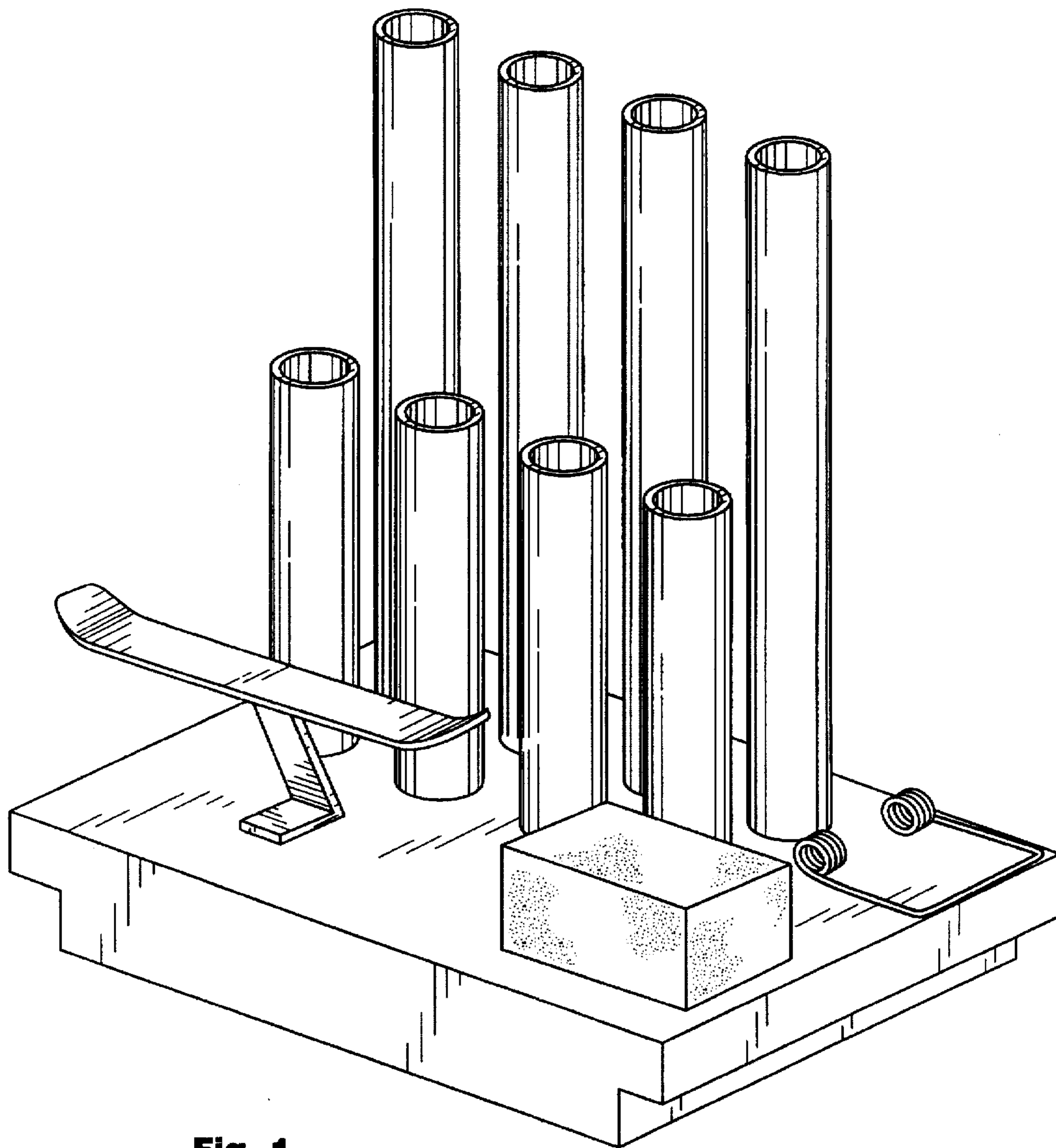
The ornamental design for a supply organizer for a floral arranger, as shown and described.

**DESCRIPTION**

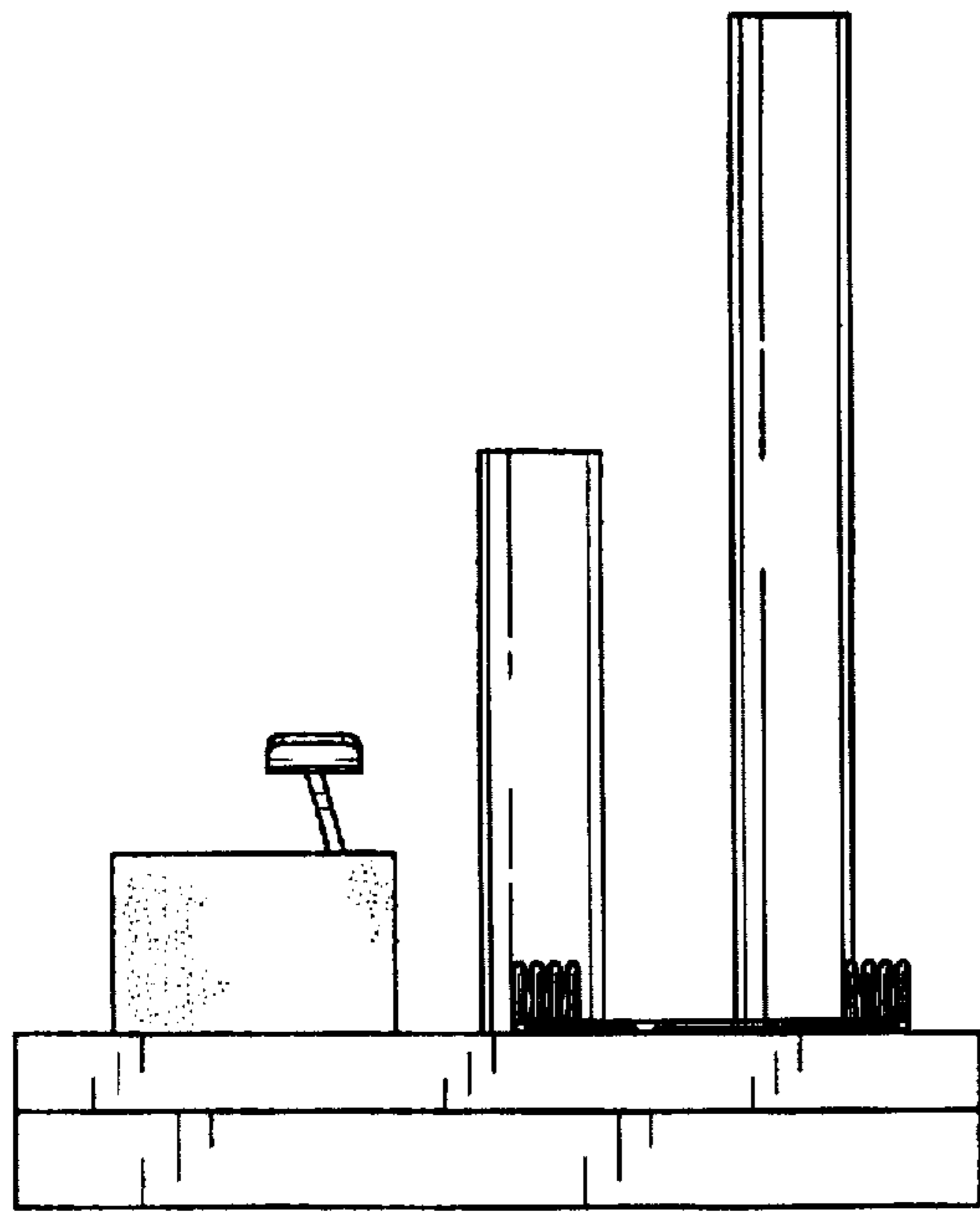
FIG. 1 is a perspective view of a supply organizer for a floral arranger showing my new design, it being understood that the stipple shading on the rectangular block represents foam; FIG. 2 is a right side elevational view thereof on a reduced scale; FIG. 3 is a left side elevational view of FIG. 2, the opposite side being a mirror image; FIG. 4 is a front elevational view of FIG. 2; FIG. 5 is a rear elevational view of FIG. 2; FIG. 6 is a top plan view of FIG. 2; and, FIG. 7 is a bottom plan view of FIG. 2. Undisclosed and partially disclosed surfaces are plain and unornamental.

**1 Claim, 4 Drawing Sheets**

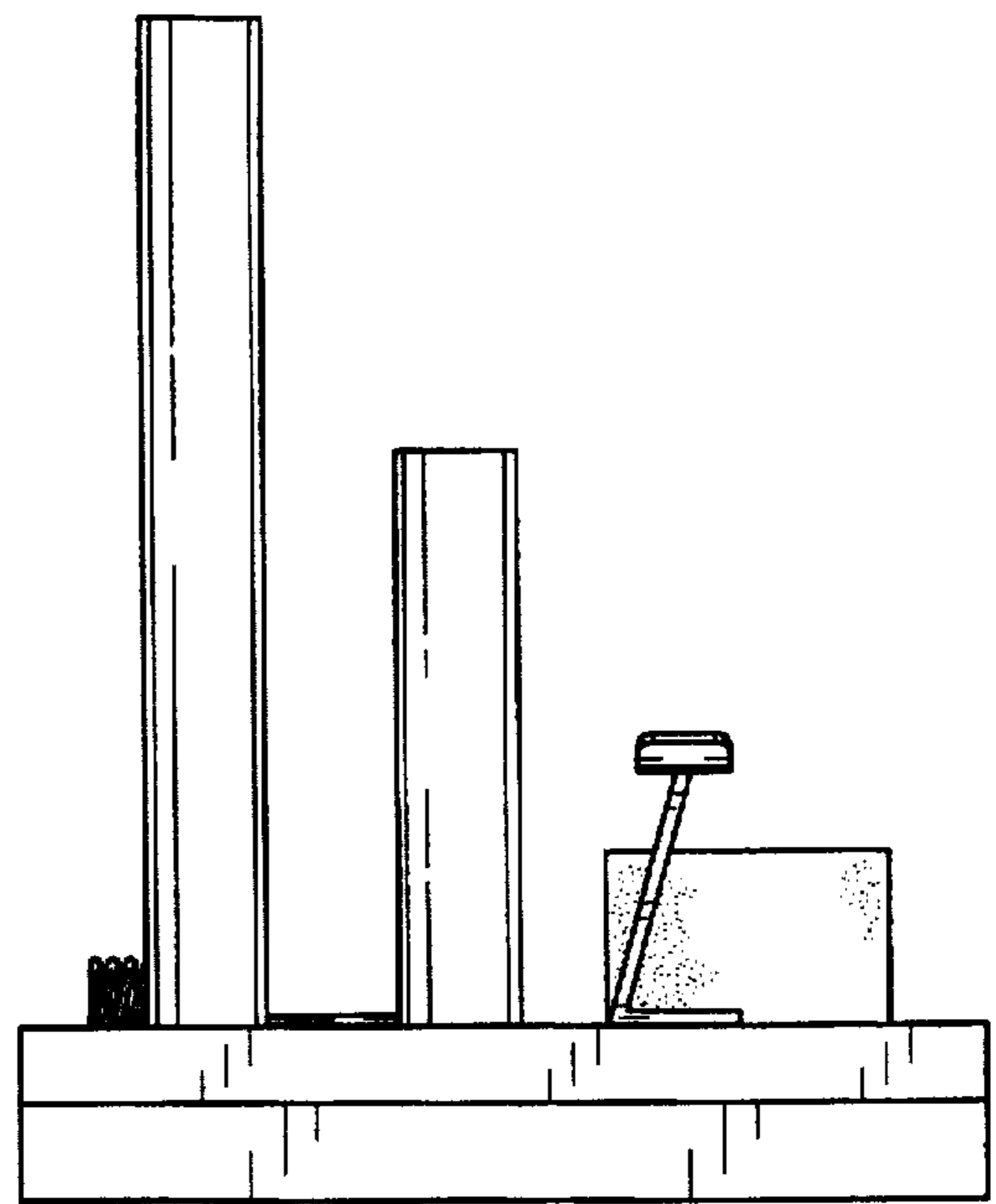




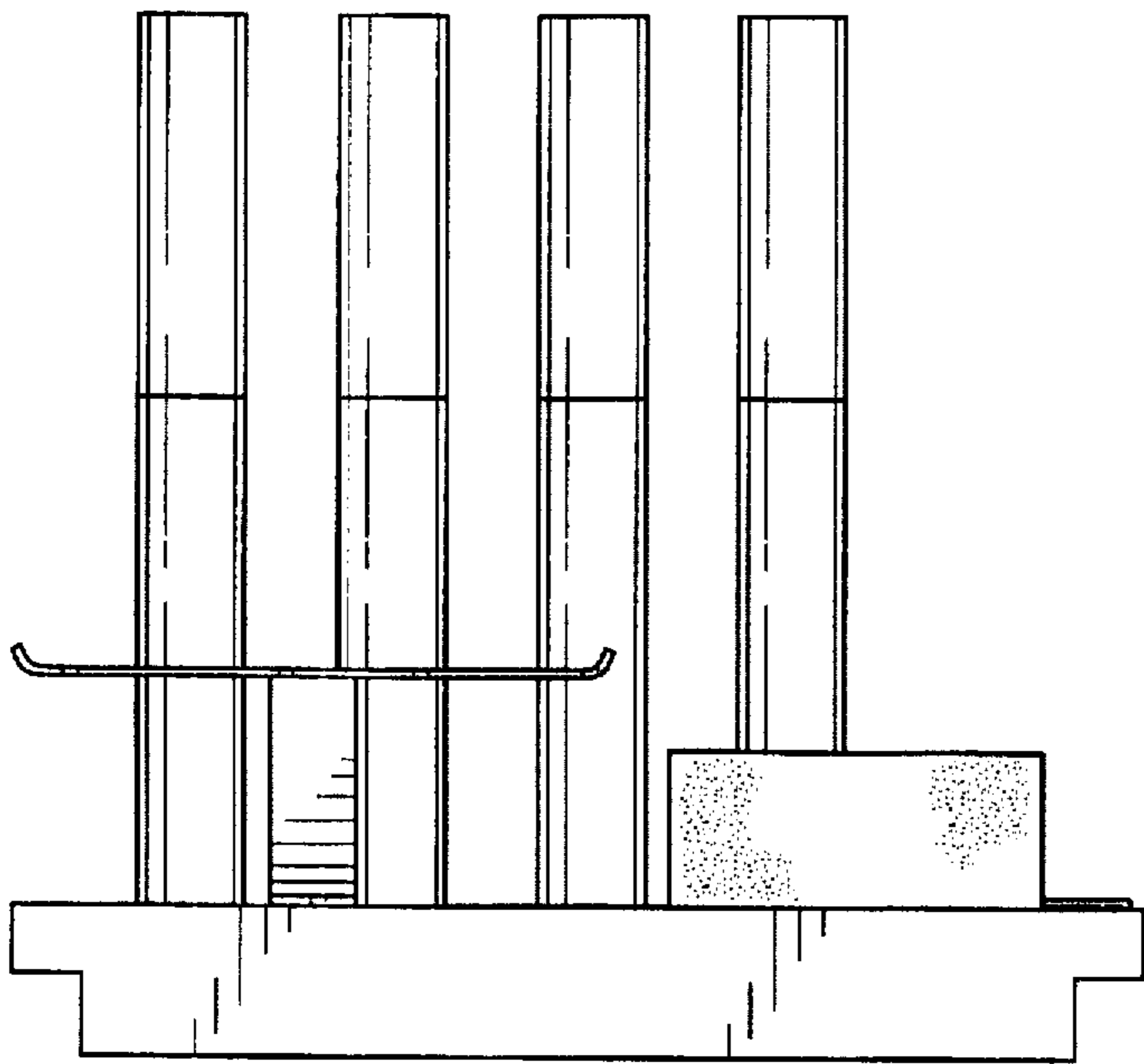
**Fig. 1**



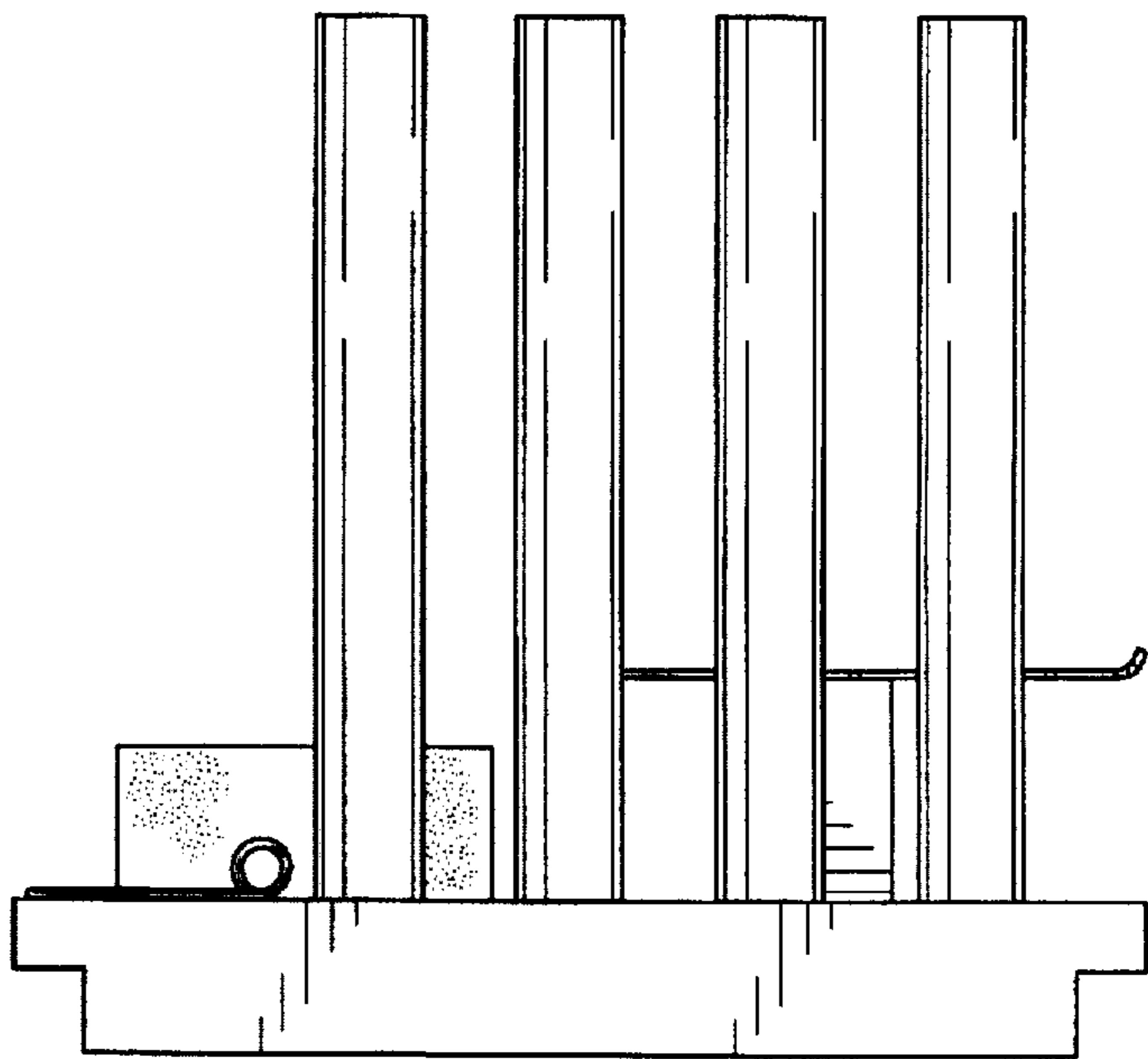
**Fig. 2**



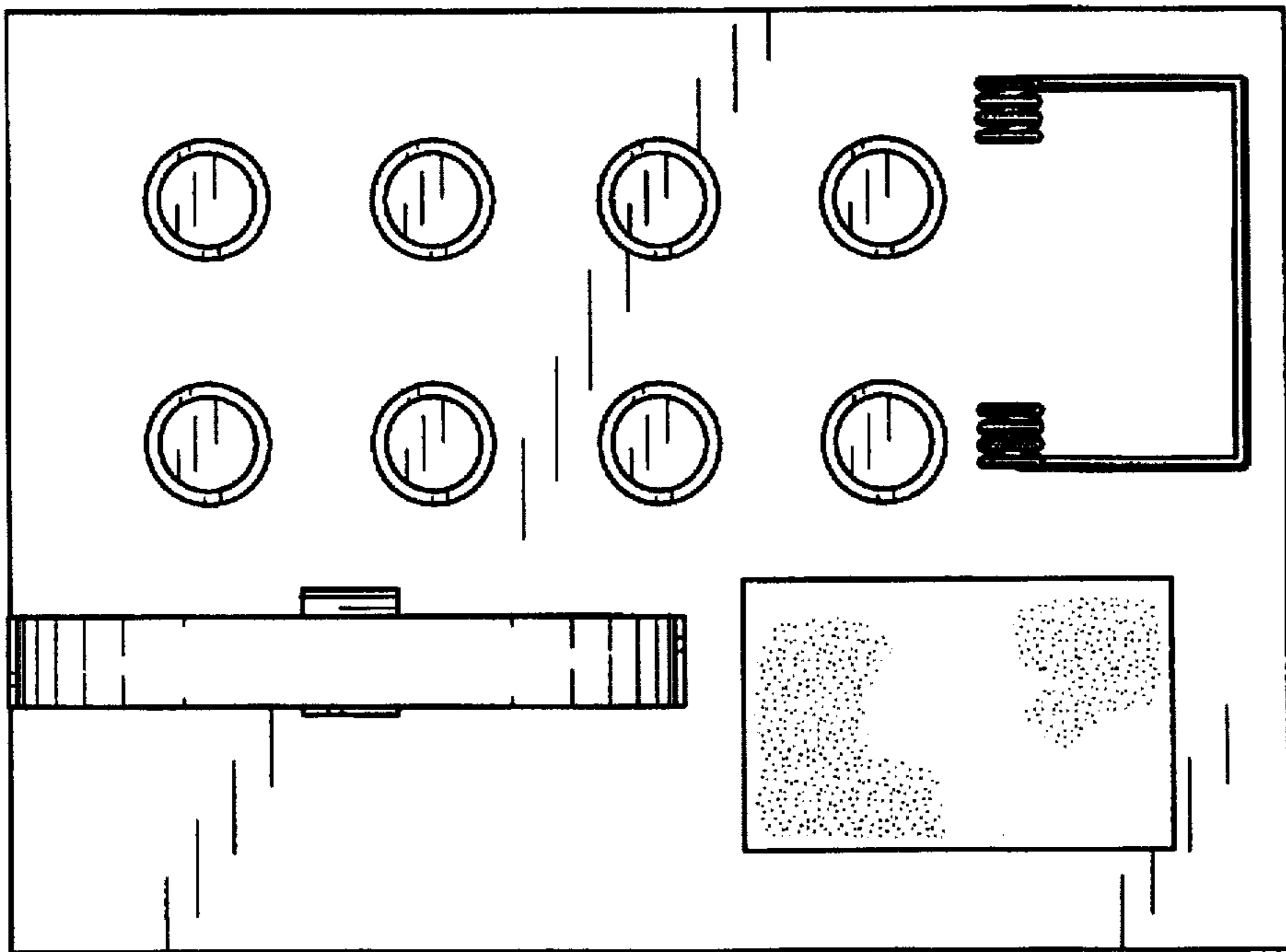
**Fig. 3**



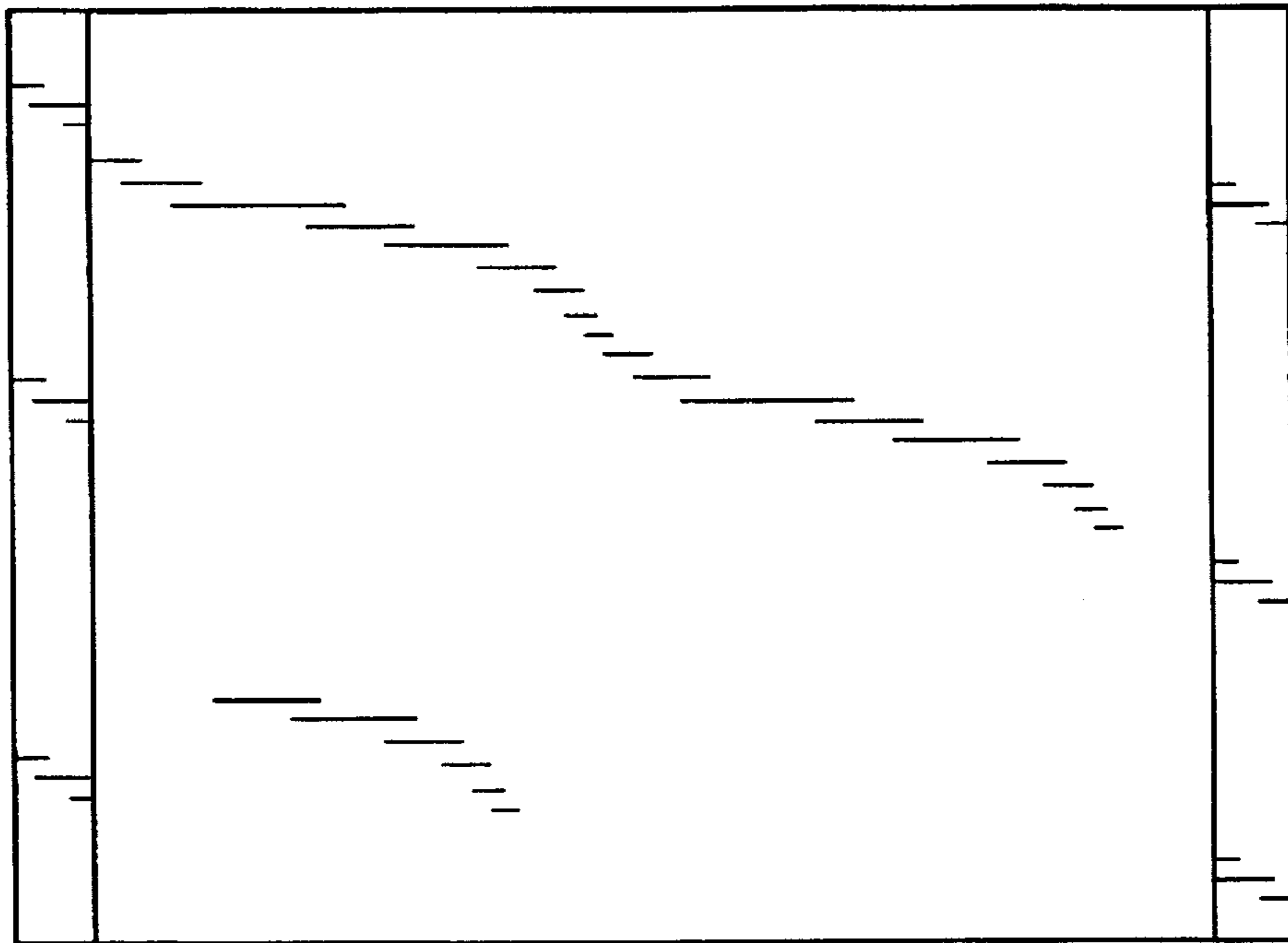
**Fig. 4**



**Fig. 5**



**Fig. 6**



**Fig. 7**