



US00D390725S

United States Patent [19] Vairo

[11] Patent Number: **Des. 390,725**
[45] Date of Patent: ****Feb. 17, 1998**

[54] **DISPLAY RACK WITH TOPPER**
[75] Inventor: **Edward James Vairo**, New York, N.Y.
[73] Assignee: **Crown Crafts, Incorporated**, Atlanta, Ga.
[**] Term: **14 Years**

D. 240,102	6/1976	Redler	D6/458
D. 250,619	12/1978	Newman	D6/458
D. 255,292	6/1980	Gibson	D6/465
D. 263,905	4/1982	Flora	D6/553
D. 272,783	2/1984	Gelles	D6/85
1,441,868	1/1923	Martin	.	
1,485,852	3/1924	Jarvis	248/153 X
3,135,063	6/1964	Ricks	40/473
4,577,767	3/1986	Geschwender	211/190

[21] Appl. No.: **64,826**
[22] Filed: **Jan. 10, 1997**

Primary Examiner—James Gandy
Assistant Examiner—Linda Brooks
Attorney, Agent, or Firm—Howrey & Simon

[51] LOC (6) Cl. **06-04**
[52] U.S. Cl. **D6/458**
[58] Field of Search D6/462, 463, 467,
D6/468, 458-461, 411, 412, 415, 315, 317,
465; 211/1, 13, 33, 60.1, 41, 62, 107, 112,
133, 181; 248/127, 165, 146, 153, 175,
176.1; D20/19, 21; 40/473

[57] CLAIM

The ornamental design for a display rack with topper, as shown and described.

DESCRIPTION

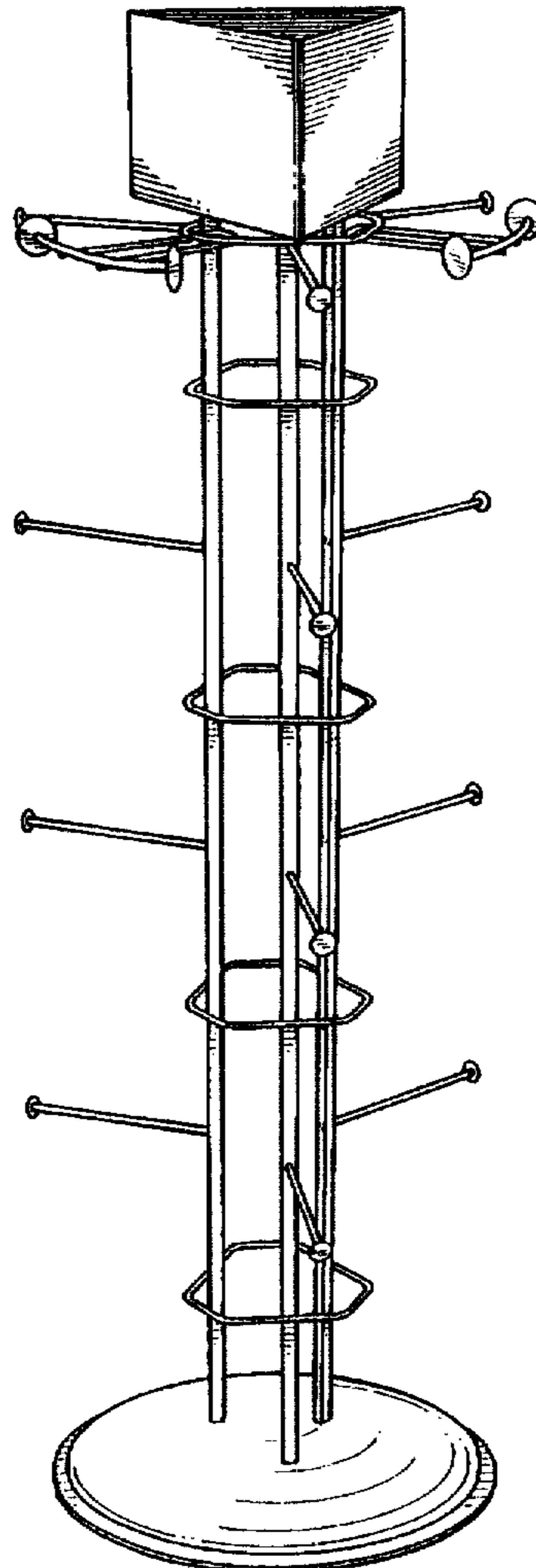
FIG. 1 is a perspective view of a display rack with topper showing my new design; and, FIG. 2 is an enlarged top plan view thereof. The side of the topper not shown in FIG. 1 is the same as the two sides shown therein.

[56] References Cited

U.S. PATENT DOCUMENTS

D. 174,912	6/1955	Mangin	D6/190
D. 179,891	3/1957	Flannery	D6/458
D. 182,356	3/1958	Cohen	D6/458

1 Claim, 2 Drawing Sheets



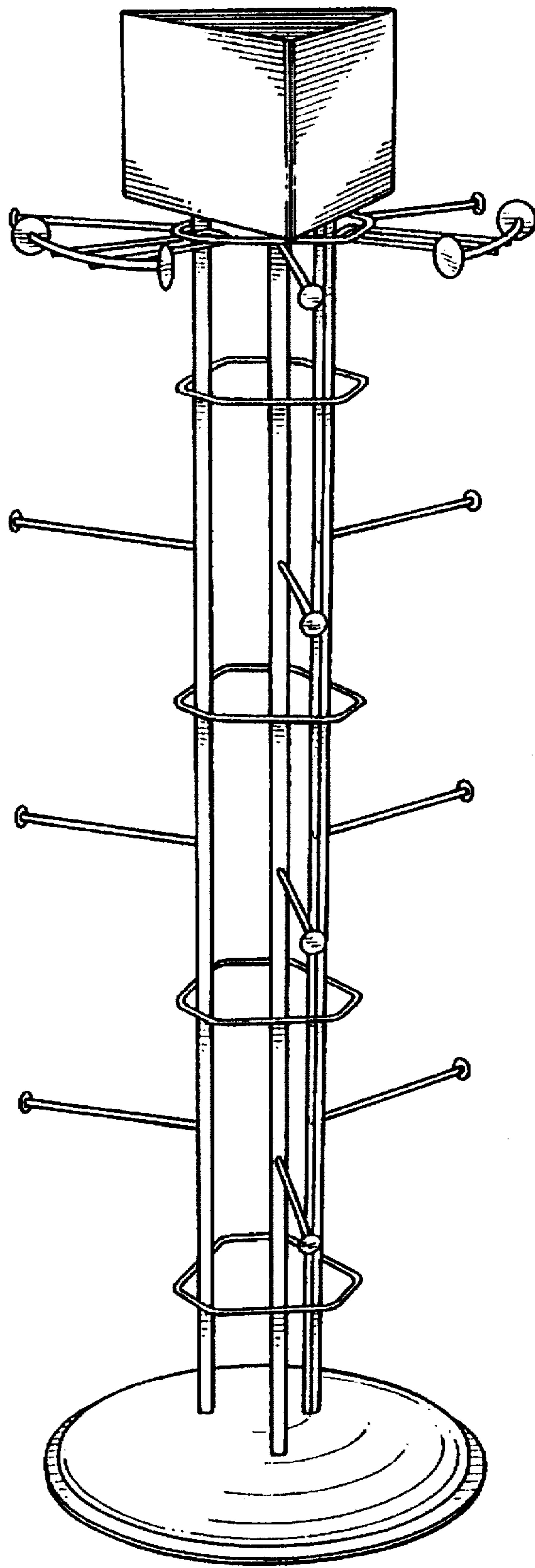


FIG. 1

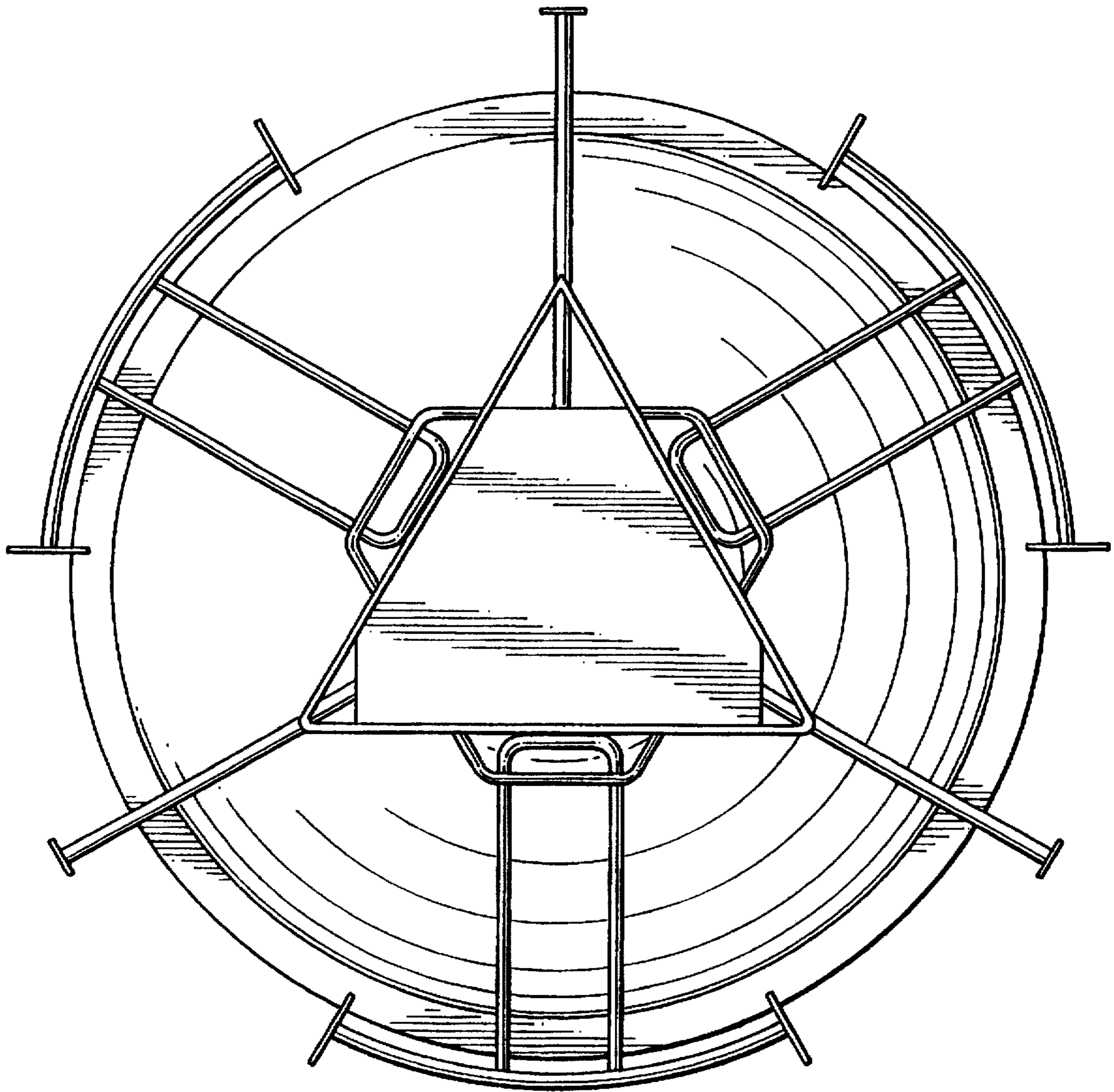


FIG. 2