



US00D390722S

United States Patent [19]

Liang

[11] Patent Number: **Des. 390,722**

[45] Date of Patent: ****Feb. 17, 1998**

[54] **WARDROBE**

[76] Inventor: **Leon Liang**, No. 24, Lane 32, Sec. 1, Kwangfu S. Rd., 8 Lin, Fuchien Li, Sungshan Dist., Taipei, Taiwan

[**] Term: **14 Years**

[21] Appl. No.: **64,347**

[22] Filed: **Dec. 30, 1996**

[51] LOC (6) Cl. **06-04**

[52] U.S. Cl. **D6/445; D6/439**

[58] Field of Search **D6/432-448; D3/273, D3/276, 278, 282, 283, 289, 301; 312/204, 244**

[56] **References Cited**

U.S. PATENT DOCUMENTS

- D. 185,769 7/1959 Meer D6/445
- D. 259,843 7/1981 Murphy D6/438
- D. 294,896 3/1988 Weiss D6/432
- D. 337,455 7/1993 Magnusson et al. D6/436

- D. 363,392 10/1995 Paus D6/439
- D. 365,464 12/1995 Brunner et al. D6/439
- D. 378,329 3/1997 Brunner et al. D6/439

Primary Examiner—Carmen H. Vales-Lado
Attorney, Agent, or Firm—Morton J. Rosenberg; David I. Klein; Jun Y. Lee

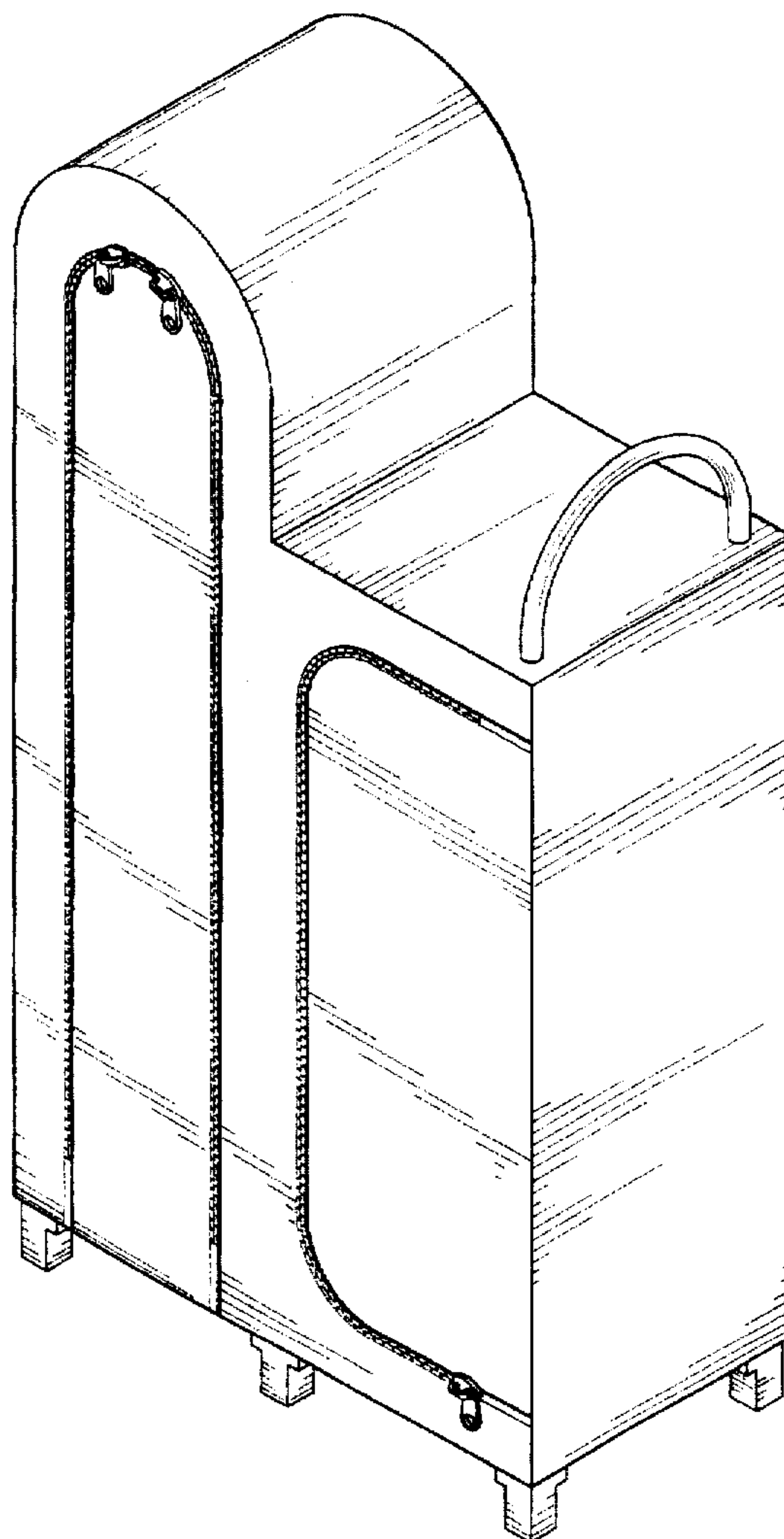
[57] **CLAIM**

The ornamental design for a wardrobe, as shown and described.

DESCRIPTION

FIG. 1 is a front-right-top perspective view of a wardrobe, showing my new design;
FIG. 2 is a front elevational view thereof;
FIG. 3 is a rear elevational view thereof;
FIG. 4 is a left elevational view thereof;
FIG. 5 is a right elevational view thereof;
FIG. 6 is a top plan view thereof; and,
FIG. 7 is a bottom plan view thereof.

1 Claim, 5 Drawing Sheets



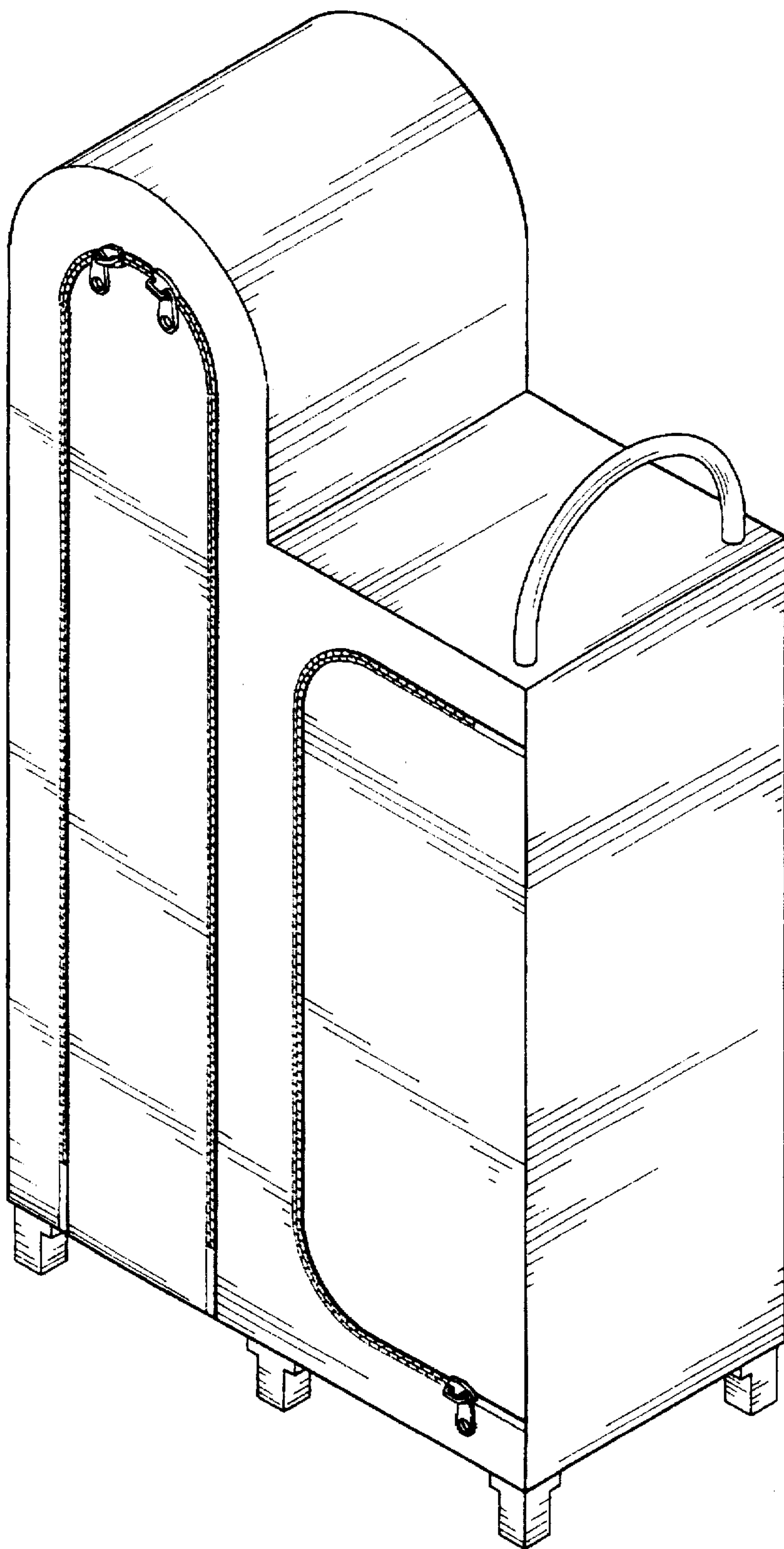


FIG.1

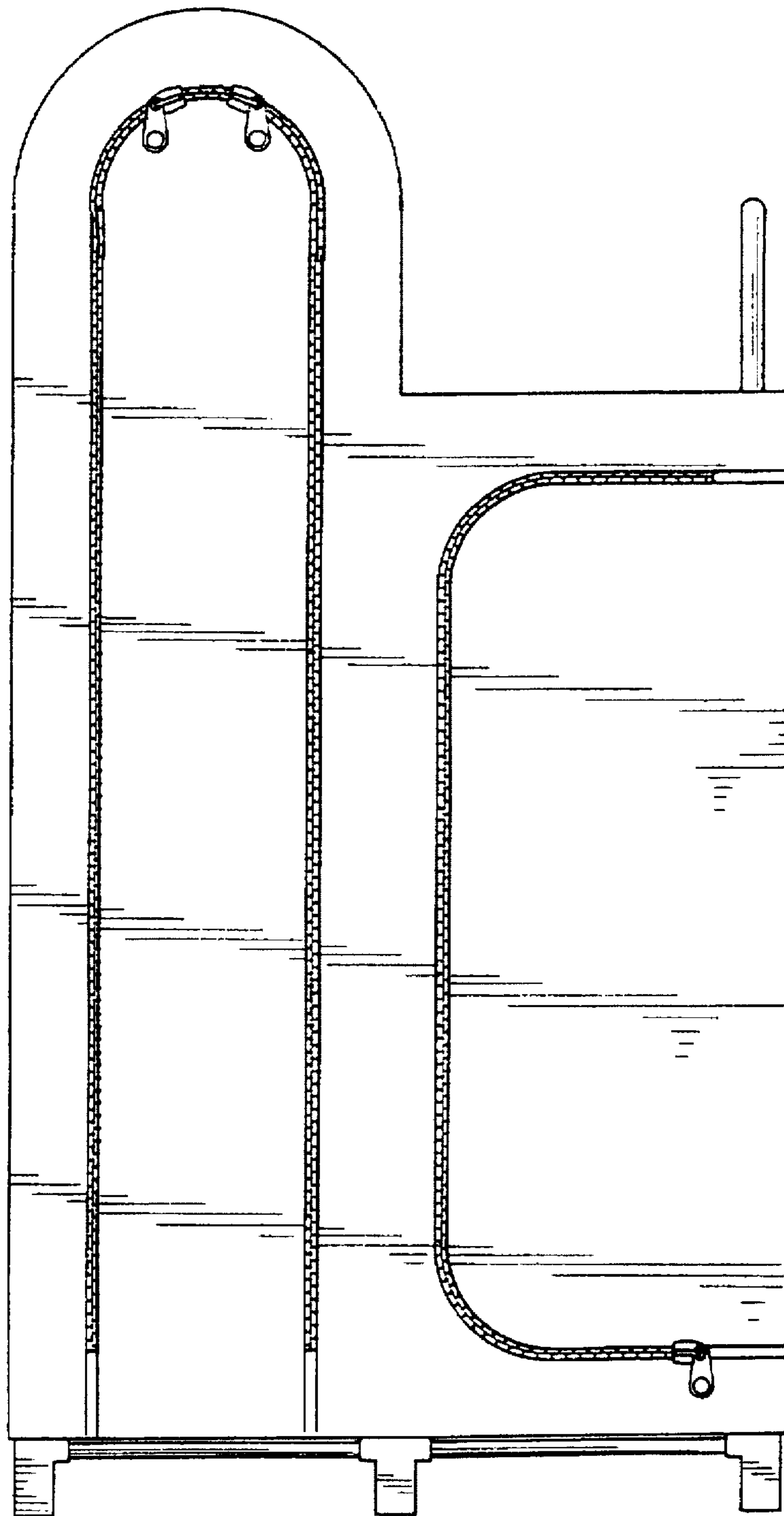


FIG. 2

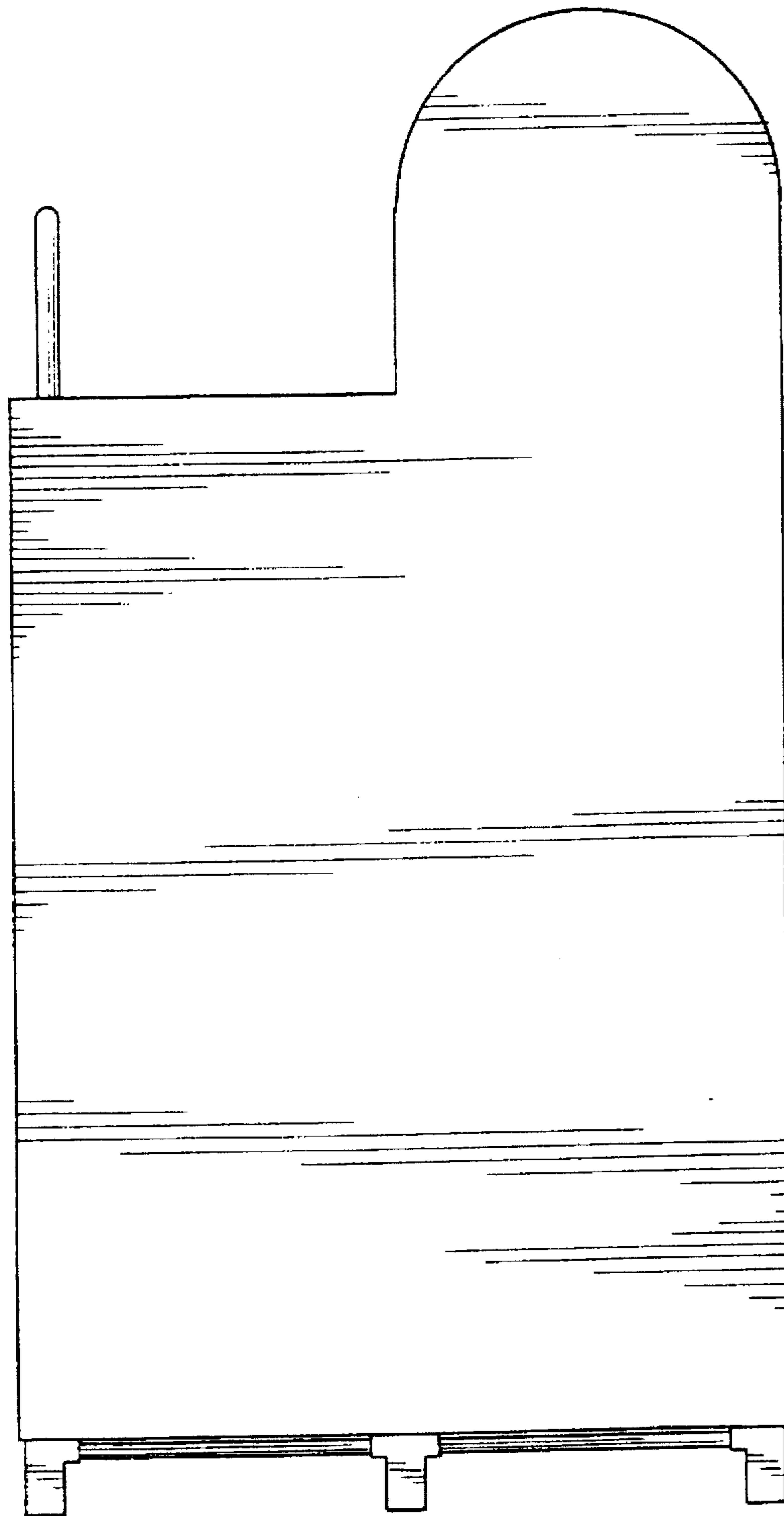


FIG. 3

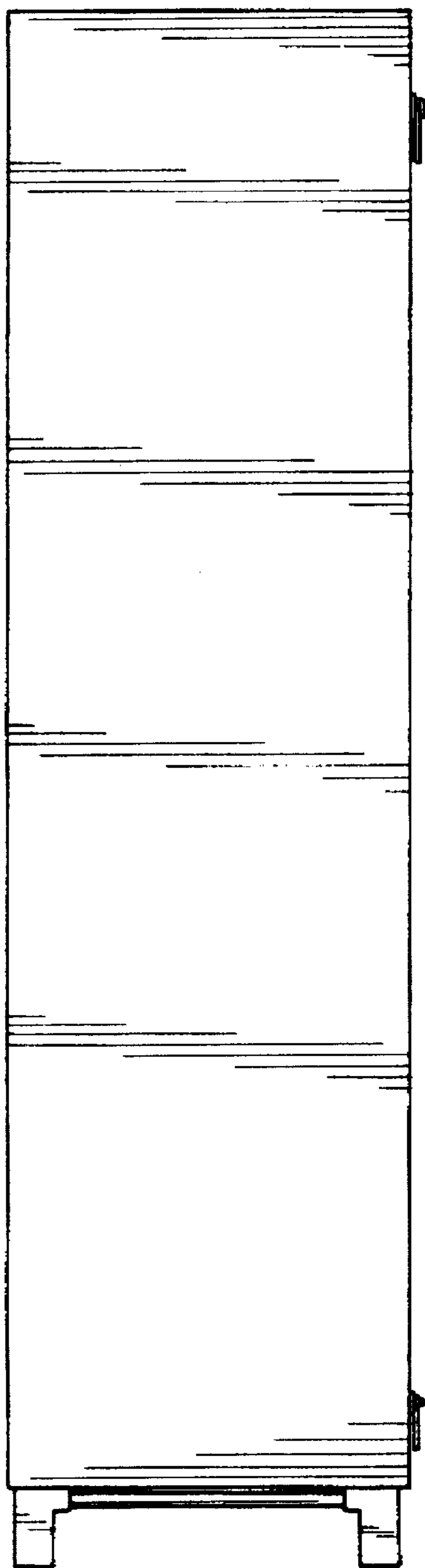


FIG. 4

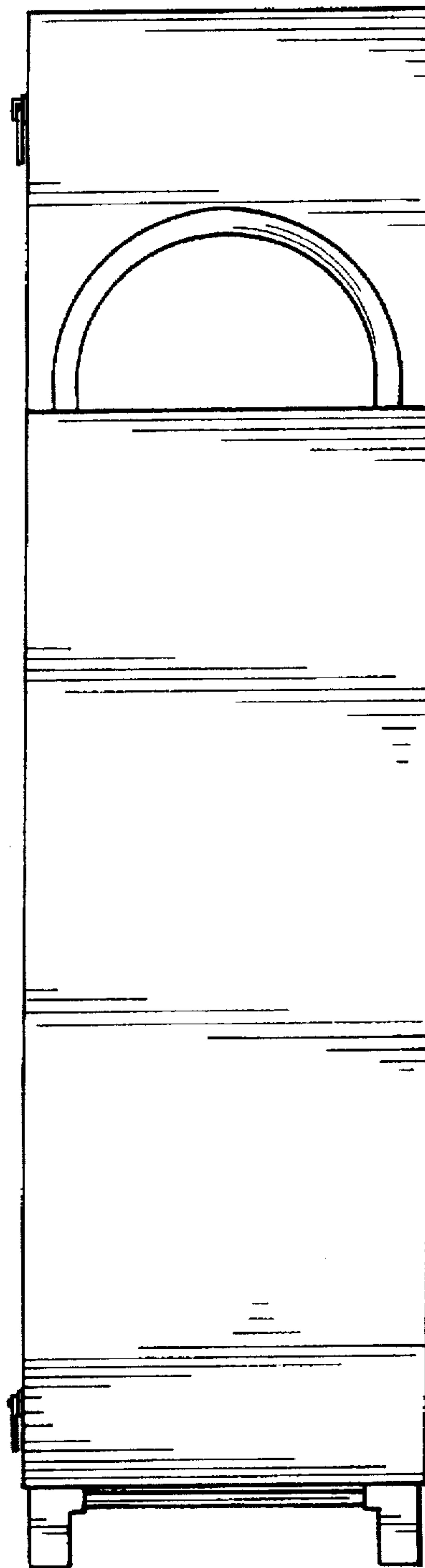


FIG. 5

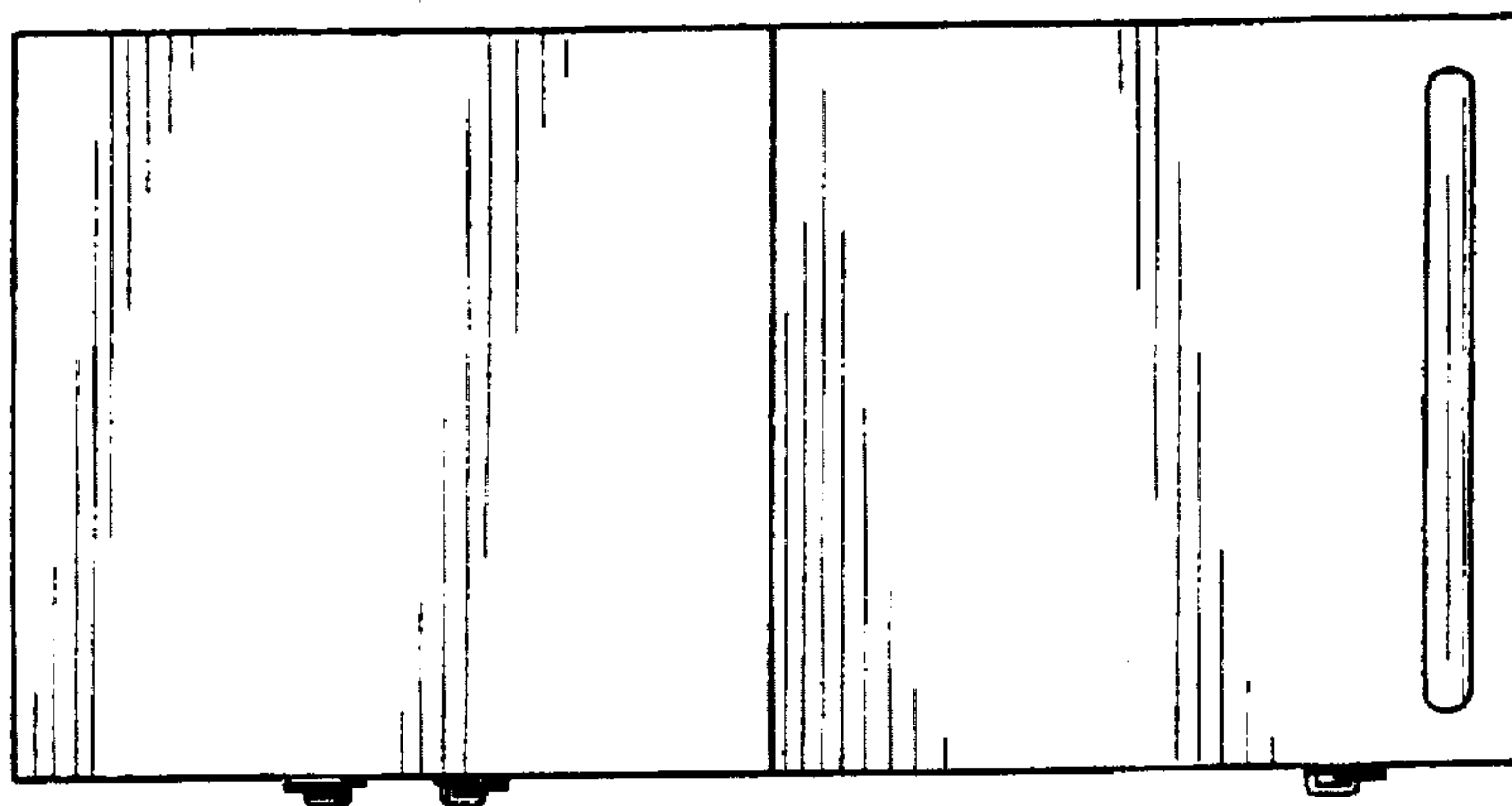


FIG. 6

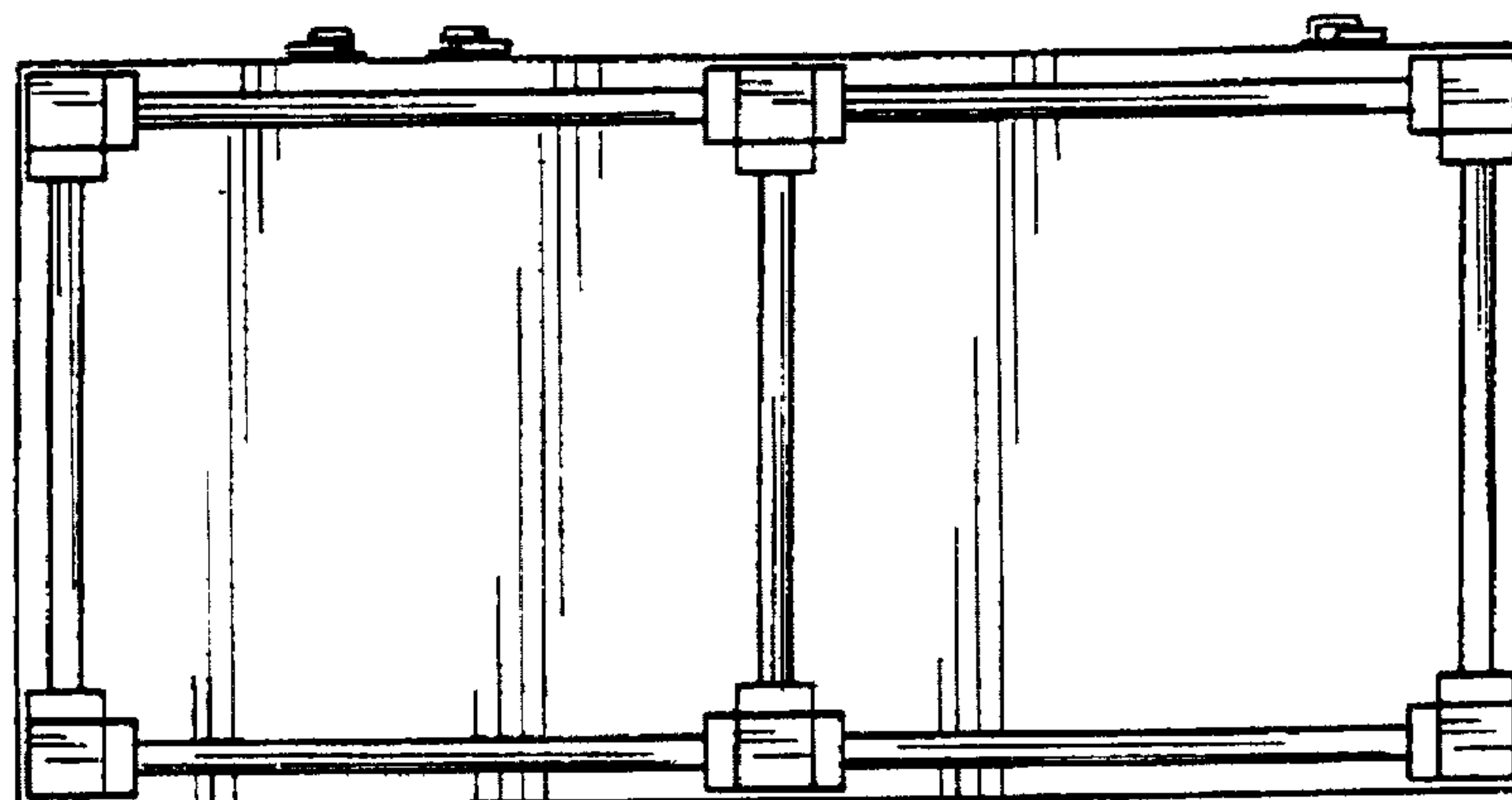


FIG. 7