

US00D390721S

United States Patent [19]

[11] Patent Number: **Des. 390,721**

Liang

[45] Date of Patent: ****Feb. 17, 1998**

[54] **WARDROBE**

D. 363,392 10/1995 Paus D6/439

D. 365,464 12/1995 Brunner et al. D6/439

D. 378,329 3/1997 Brunner et al. D6/439

[76] Inventor: **Leon Liang**, No. 24, Lane 32, Sec. 1,
Kwangfu S. Rd., 8 Lin, Fuchien Li,
Sungshan Dist., Taipei, Taiwan

Primary Examiner—Carmen H. Vales-Lado
Attorney, Agent, or Firm—Morton J. Rosenberg; David I.
Klein; Jun Y. Lee

[**] Term: **14 Years**

[21] Appl. No.: **64,318**

[57] **CLAIM**

[22] Filed: **Dec. 27, 1996**

The ornamental design for a wardrobe, as shown and described.

[51] **LOC (6) Cl.** **06-04**

DESCRIPTION

[52] **U.S. Cl.** **D6/445; D6/439**

[58] **Field of Search** **D6/432-448; 312/204,**
312/244; D3/273, 276, 278, 282, 283, 289,
301

FIG. 1 is a front-right-top perspective view of a wardrobe, showing my new design;

FIG. 2 is a front elevational view thereof;

FIG. 3 is a rear elevational view thereof;

FIG. 4 is a left side elevational view thereof;

FIG. 5 is a right side elevational view thereof;

FIG. 6 is a top plan view thereof; and,

FIG. 7 is a bottom plan view thereof.

[56] **References Cited**

U.S. PATENT DOCUMENTS

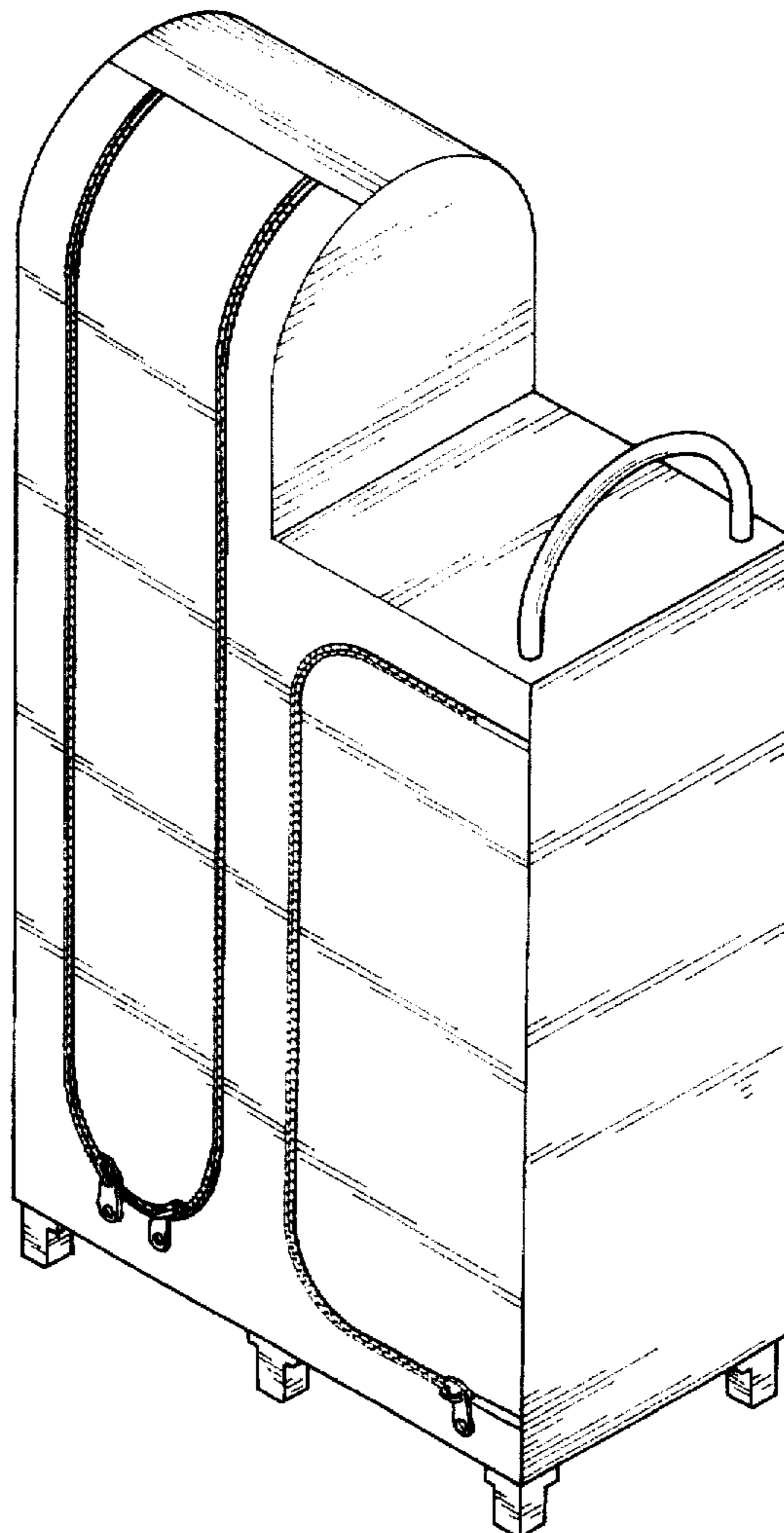
D. 185,769 7/1959 Meer D6/445

D. 259,843 7/1981 Murphy D6/438

D. 294,896 3/1988 Weiss D6/432

D. 337,455 7/1993 Magnusson et al. D6/436

1 Claim, 5 Drawing Sheets



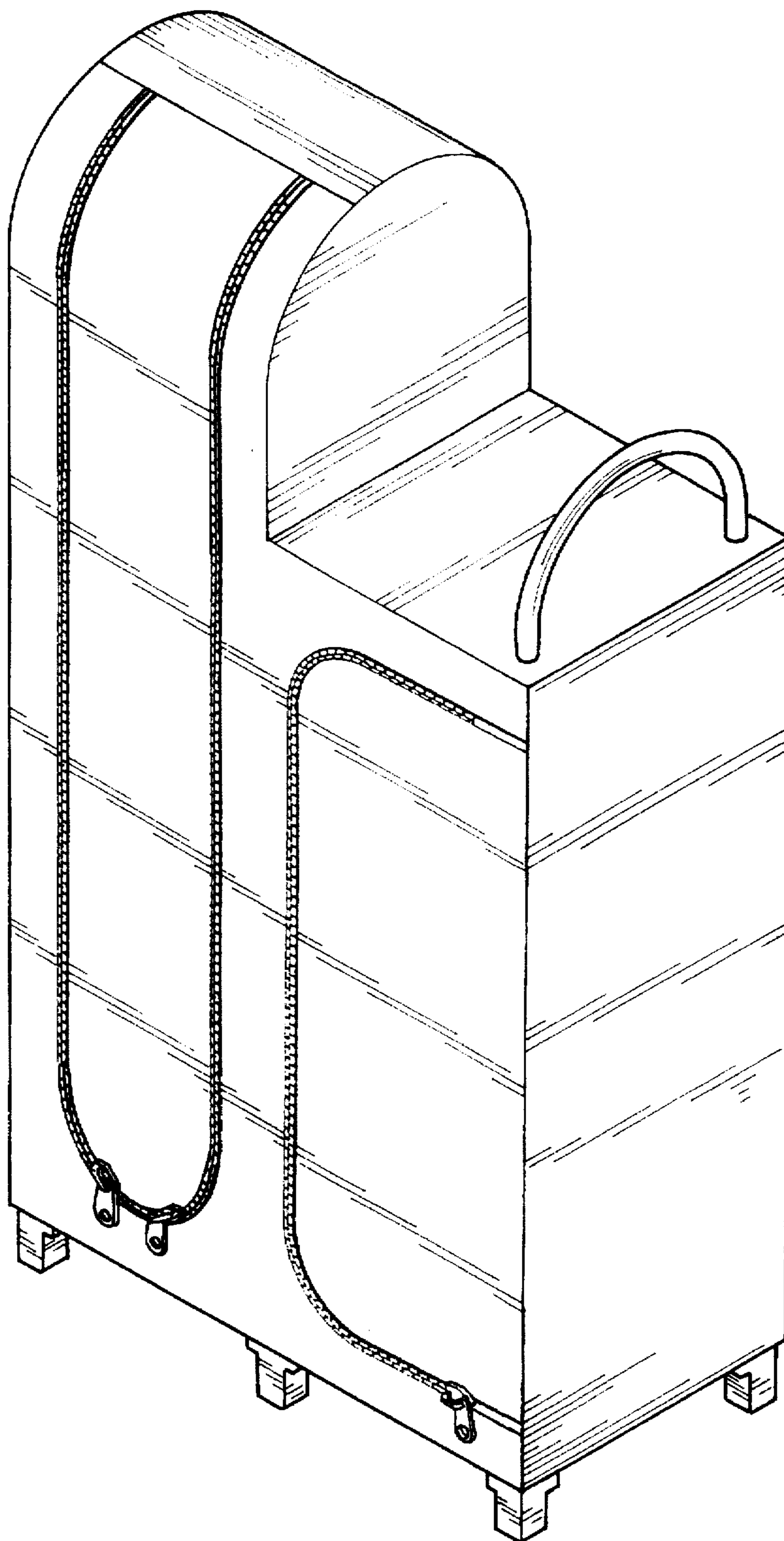


FIG. 1

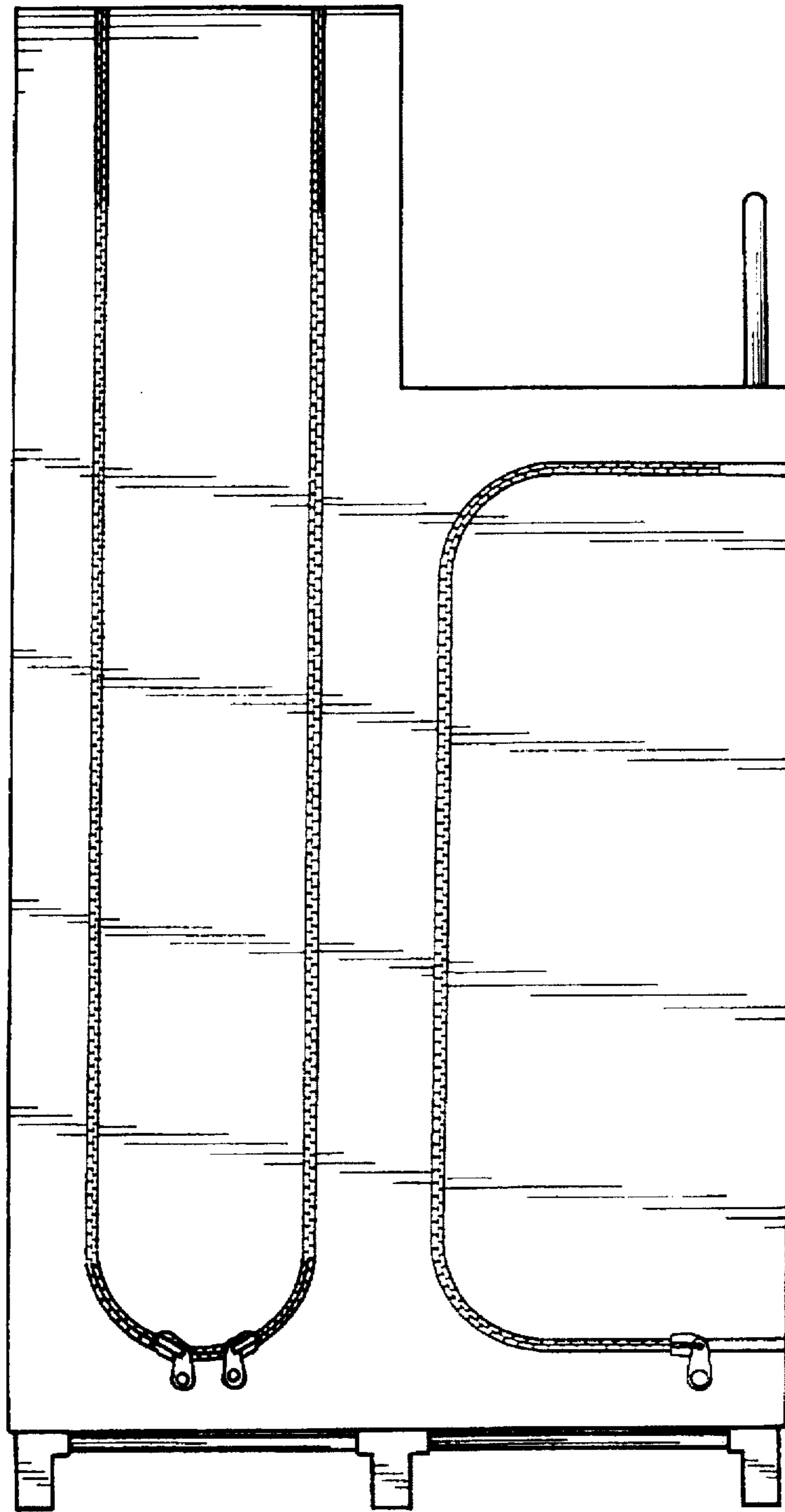


FIG. 2

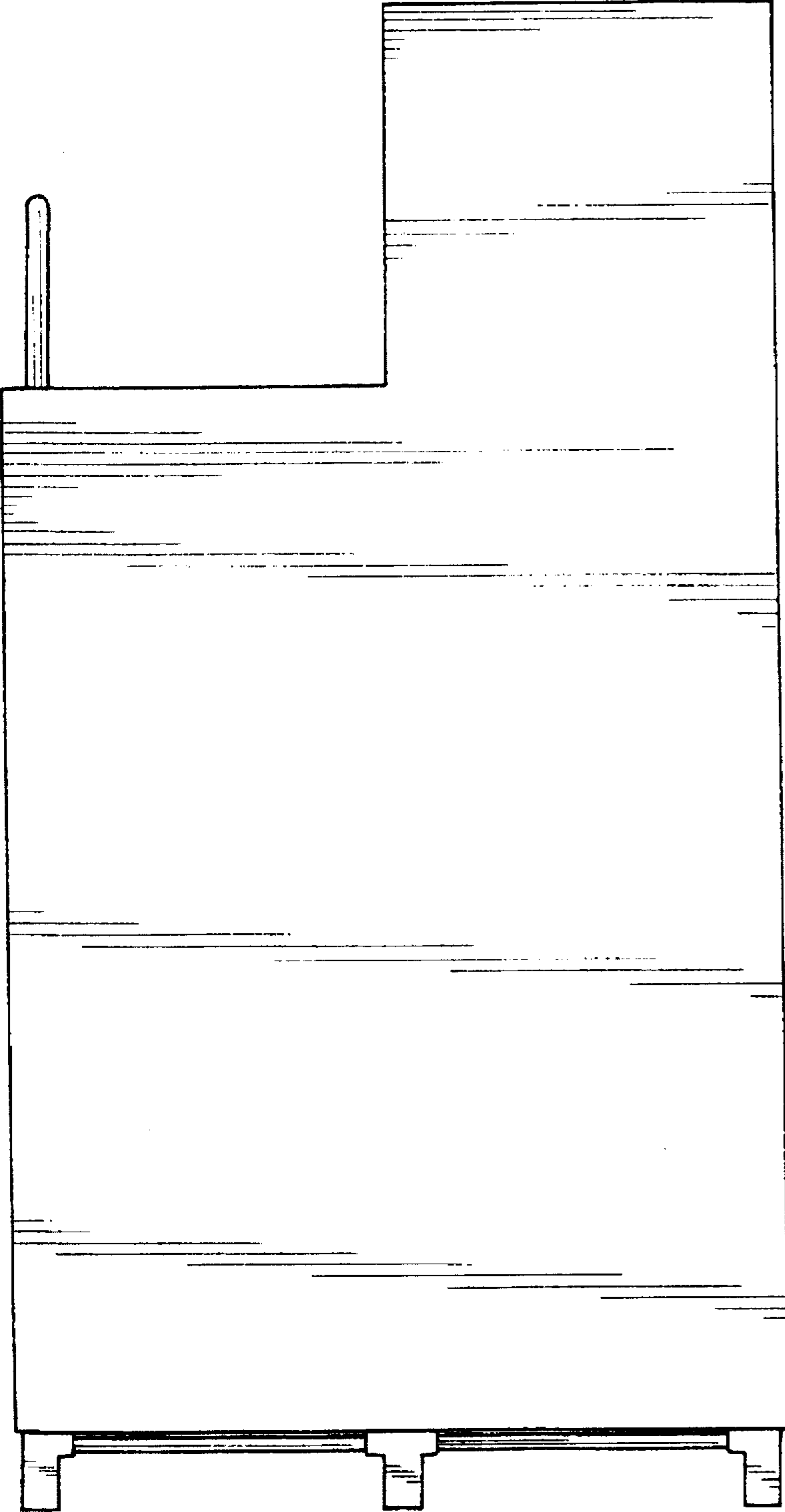


FIG. 3

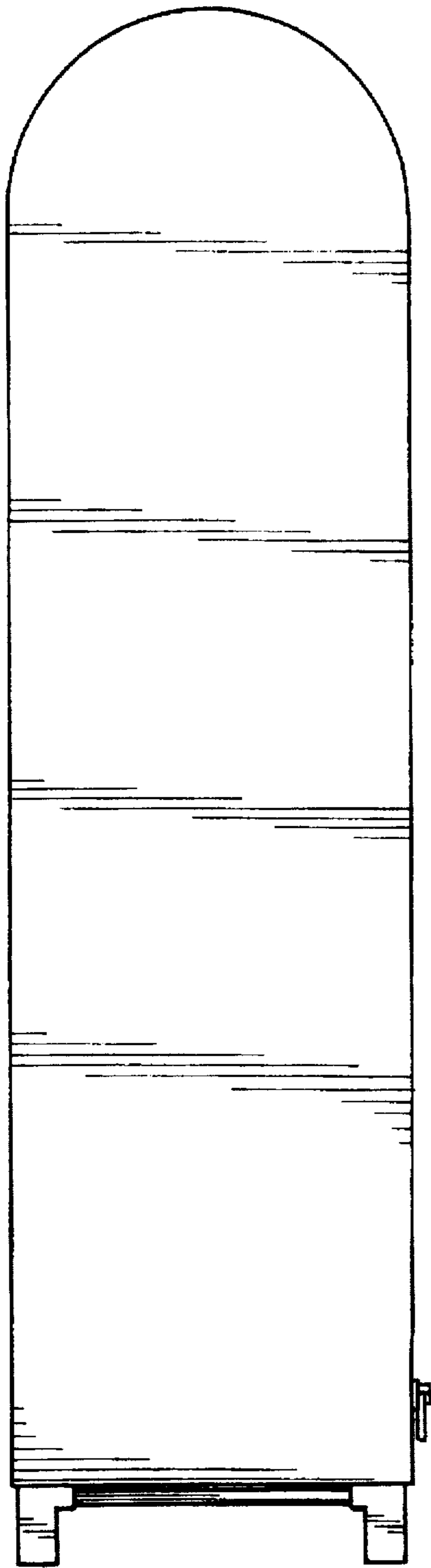


FIG. 4

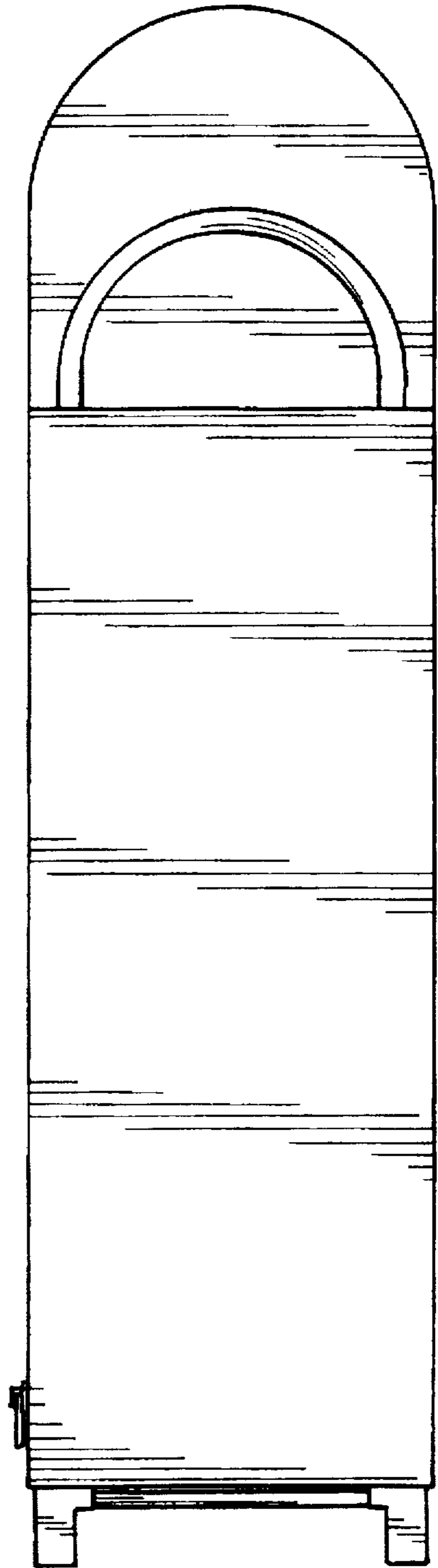


FIG. 5

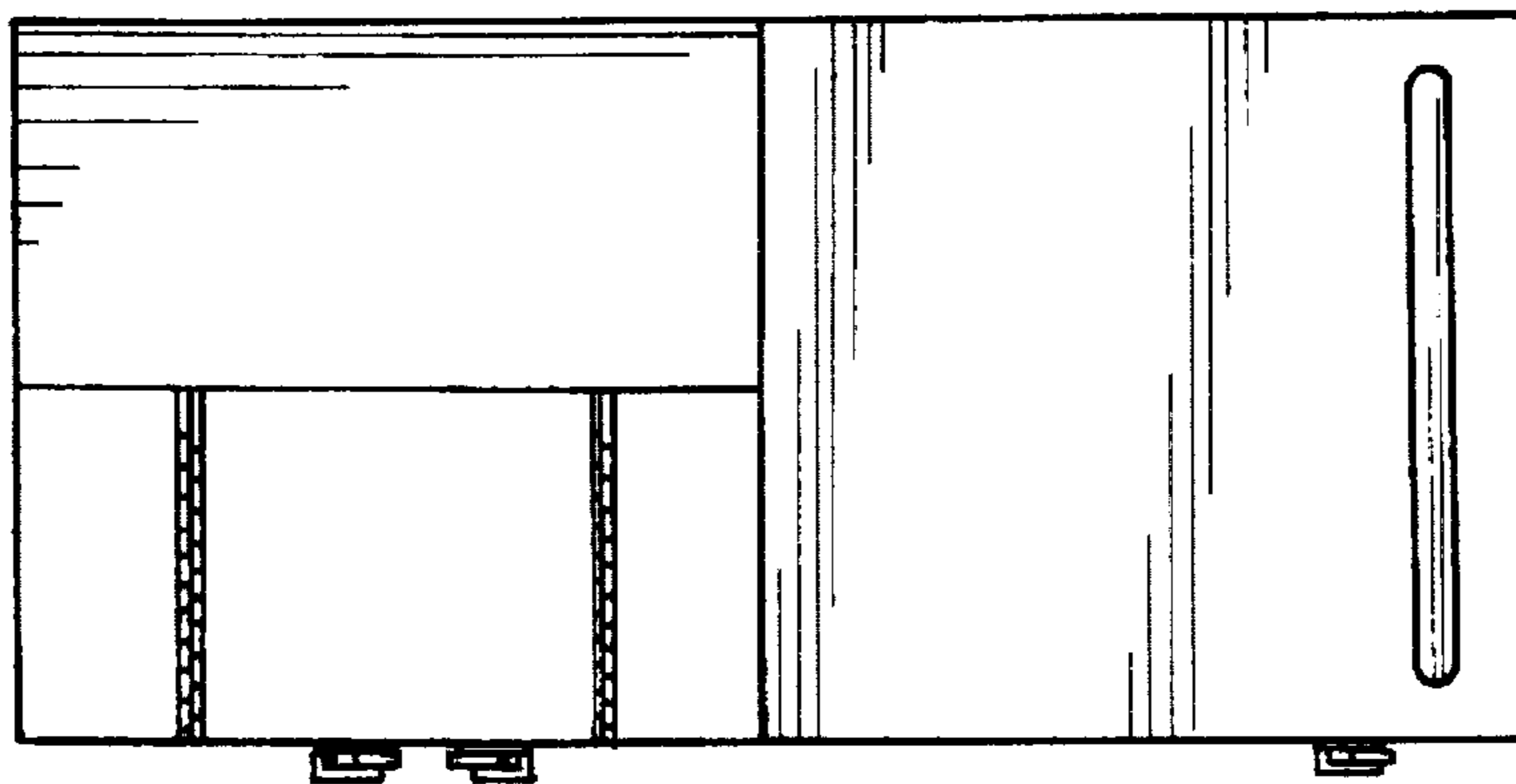


FIG. 6

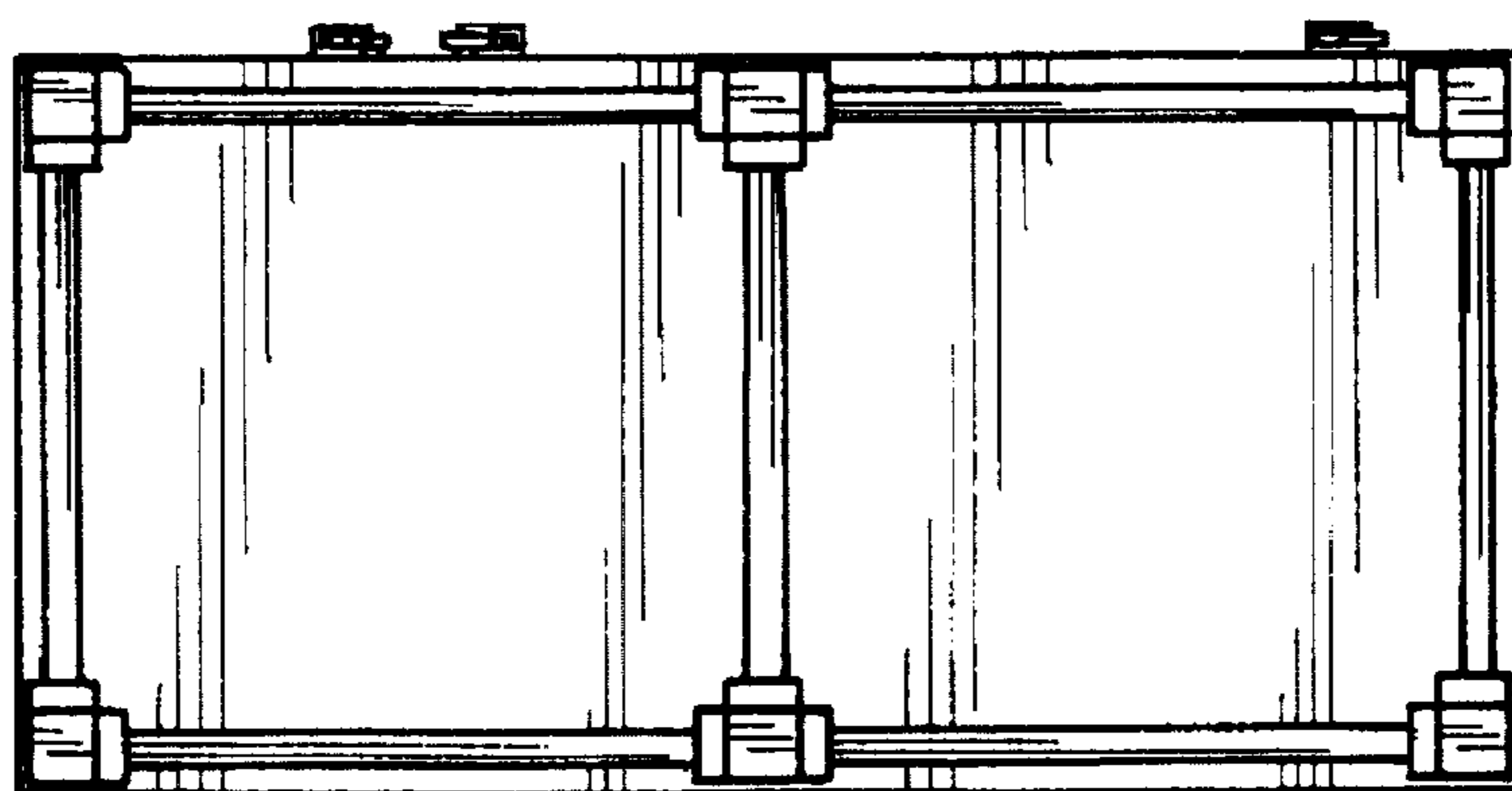


FIG. 7